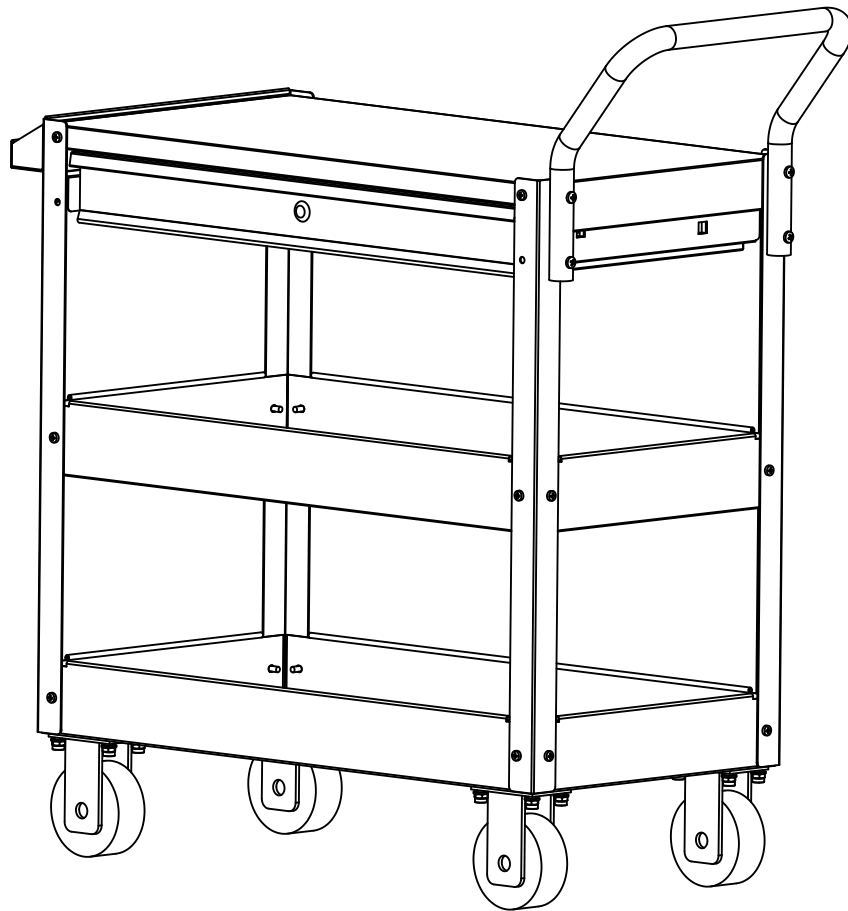




1-Drawer Tool Cart

Model No: TC302



IMPORTANT:
Please read this manual before using this
tool cart and save it for reference.

**INSTRUCTION
MANUAL**



- To reduce the risk of serious injury, read the following safety instructions before assembling and using the cart
- The product should be positioned on a level surface.
- Any assembly or maintenance of the product must be carried out by adults only.
- Arrange for necessary manpower when assembling and moving the cart.
- Check all nuts and bolts periodically for tightness. When required, tighten them again.
- Do not exceed the following weight limits for this product.
Maximum load: 165 lb (75 kg)
Maximum load for the drawer: 50 lb (22.7 kg).
Maximum load for each castor: 100 lb (45.5 kg).

NOTE: If any parts are missing or damaged, or if you have any questions, please send a Email to customerservice@xindadi.com.



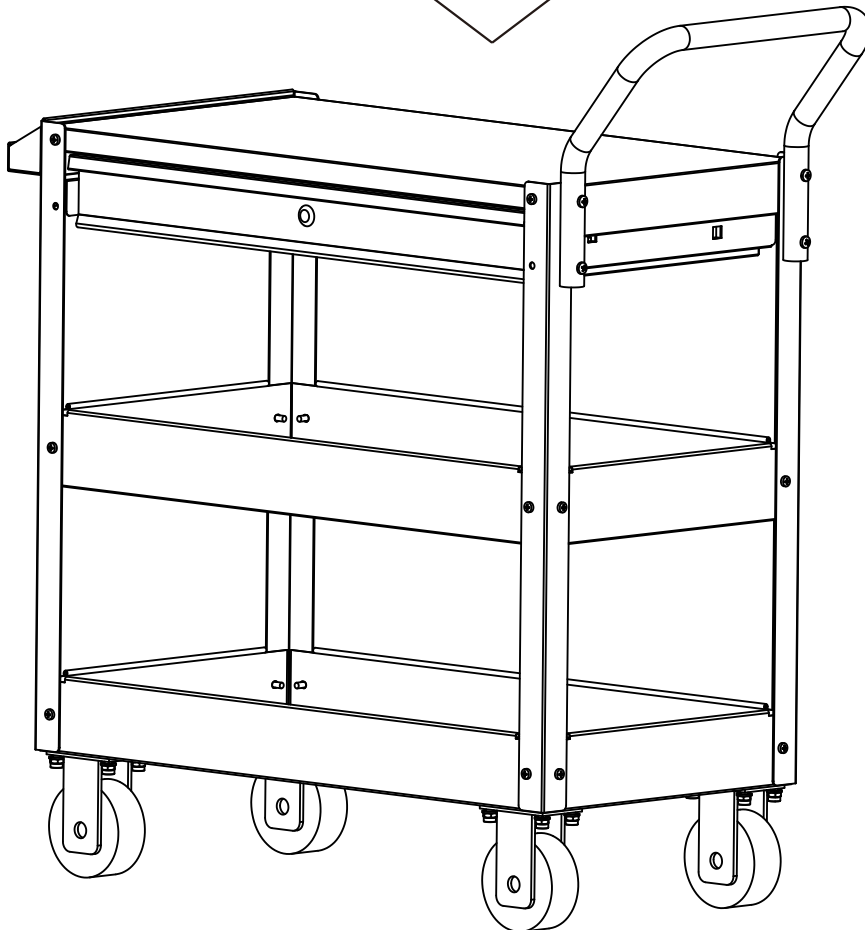
SAVE THESE INSTRUCTIONS.

This manual contains important safety and operating instructions.
Read all instructions and follow them with use of this product.

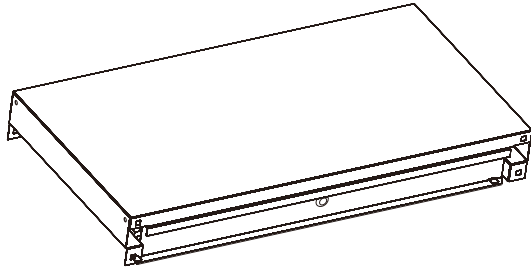
SPECIFICATIONS

Maximum Load	165 lb (75 kg)
Maximum Load For The Drawer	50 lb (22.7 kg)
Maximum Load For Each Castor	100 lb (45.5 kg)
Gross Weight	44 lb (20 kg)

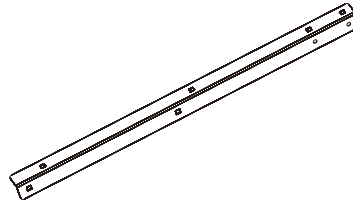
Max
165 lb
(75 kg)



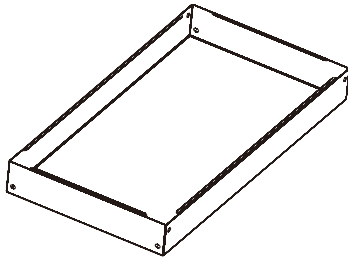
KEY PARTS DIAGRAM



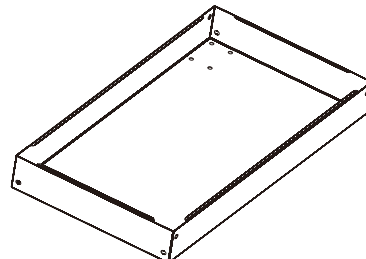
A) Upper tray with EVA mat
1PC



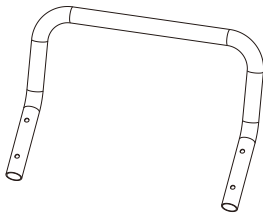
B) Leg
4 PCS



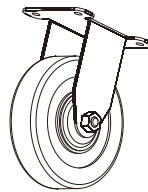
C) Middle tray
1PC



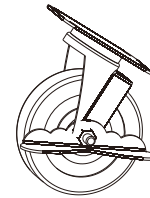
D) Bottom tray
1PC



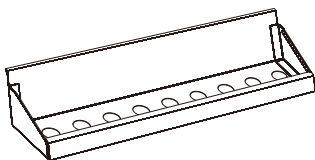
E) Handle
1PC



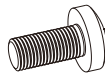
F) Fixed castor
2 PCS



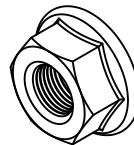
G) Swivel castor
2 PCS with
brake



H) Side tray
1 PC



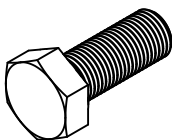
I) Bolt M6 x 12
26 PCS



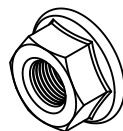
J) Nut M8
16 PCS



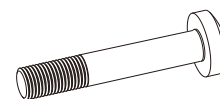
K) Washer M8
16 PCS



L) Bolt M8 x 16
16PCS



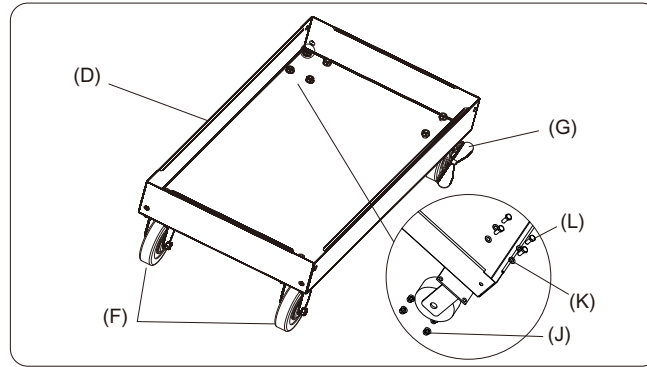
M) Nut M6
18 PCS



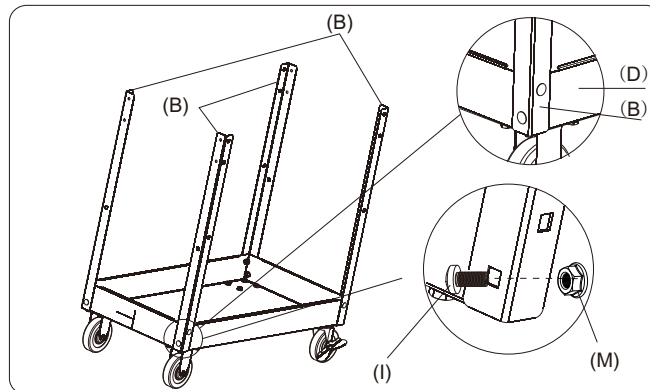
N) Bolt M6 x 3
4PCS

ASSEMBLY

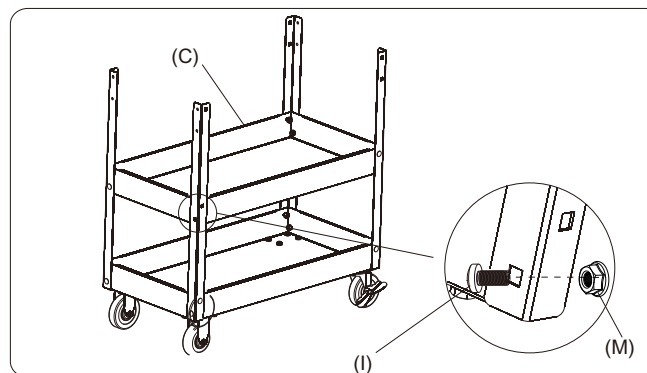
1. Mount the castors to the bottom tray. Bolt the two fixed castors (F) to one side of the bottom tray (D) with eight M8 x 16 bolts (L), eight M8 washers (K) and eight M8 nuts (J). Bolt the two swivel castors (G) to the other side of the tray with eight M8 x 16 bolts (L), eight M8 washers (K) and eight M8 nuts (J).



2. Attach the four upright legs (B) to the bottom tray (D) with eight bolts (I) and eight M6 nuts (M) as shown below. Ensure the legs (B) are attached to the outside of the bottom tray (D). Ensure the legs are in the right direction with the two holes at the bottom and six holes on the top.

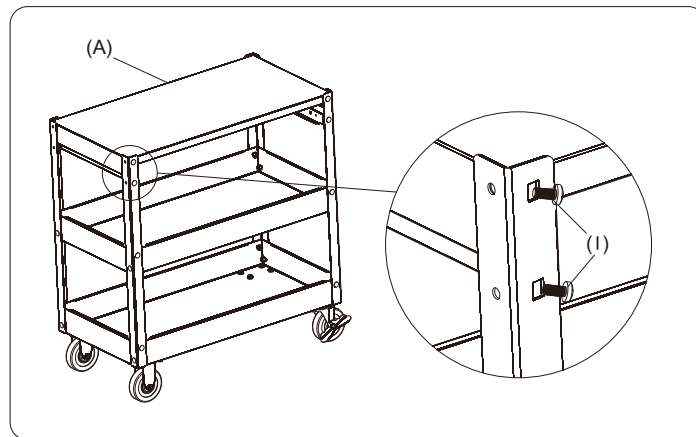


3. Put the middle tray (C) in the middle of the four legs and fix it with eight bolts (I) and eight M6 nuts (M) as shown below.

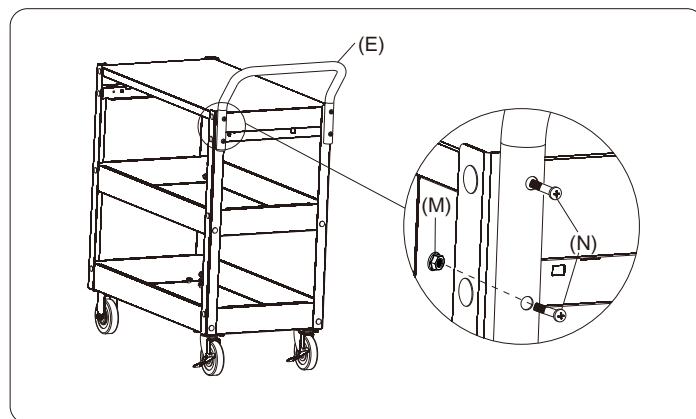


Note: The assembly screws for the legs and trays should be loosely fastened during assembly, then fully tightened once all legs and trays are assembled.

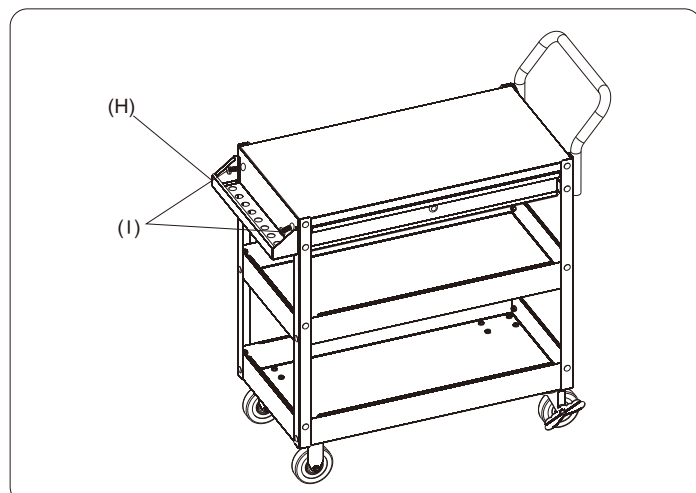
4. Remove the drawer from the upper tray (A), and attach to the top of the four legs with eight bolts (I) as shown below.



5. Attach the handle (E) to the end with the swivel castors (G) using four bolts (N) and two nuts (M).



6. Attach the side tray (H) to the drawer with two M6×12 bolts (I) as shown below. You can use your tool cart now.



SAFETY WARNINGS AND CAUTIONS

DO NOT stand on this product . You may fall which may cause personal injury. When moving this product, do not pull it. Push the product to prevent personal injury.

- ▶ BE CAREFUL when opening the drawer. The product may become unstable and tip, which may cause personal injury or product damage.
- ▶ DO NOT mount this product on a truck bed or any other moving object. This may cause personal injury or product damage.
- ▶ DO NOT step in/on the drawer. You may fall which may cause personal injury. Appropriately secure this product before moving it with a forklift.
- ▶ DO NOT tow with power equipment. The product could tip, which may cause personal injury or product damage .
- ▶ DO NOT alter this product in any manner. For example, do not weld external lockbars or attach electrical equipment. This may cause product damage or personal injury. Keep the product on level surfaces. The product may become unstable and tip if stored or moved on an unlevel surface, which may cause personal injury or product damage .

Warranty

This Mastercraft product carries a one (1) year warranty against defects in workmanship and materials. This product is not guaranteed against wear or breakage due to misuse and/or abuse.

Distributed by: XDD Products(USA),LLC
3411 North Hutchinson,Pine Bluff.AR 71602.
Made in China