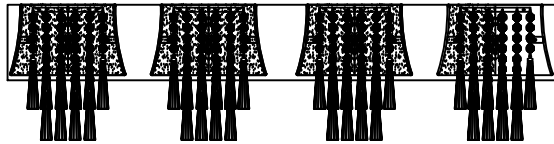


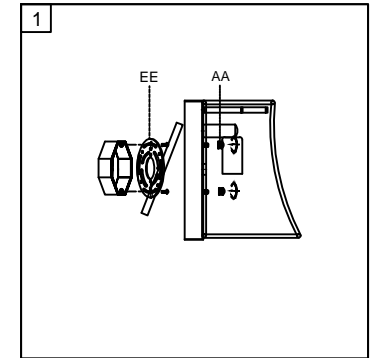
Trade Mark:  
CRYSTAL WORLD INC

Product Name: Wall lamp  
Model :5532W43C-4  
120Vac, 60Hz, AC ONLY  
Lamp Size:W43"xH10"xE5"





## WALL LAMP ASSEMBLY INSTRUCTIONS

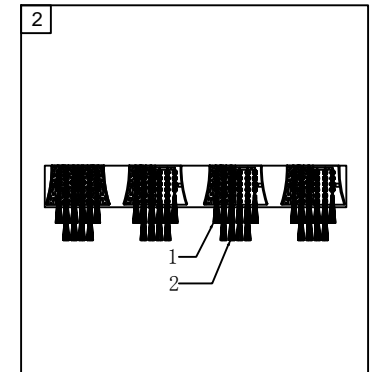
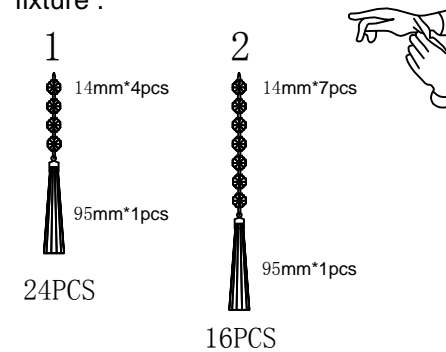
1. Place fixture(A) onto Butterfly (EE).  
Secure with cap nuts (AA).



### Hardware Used

AA Cap nut		X 3
DD Mounting screw		X 3

2. Please hang the crystal (1) (2) to the fixture .



3. Install light bulbs ( not included).  
Use bulb  
**120V G9 4\*40W Max.**

