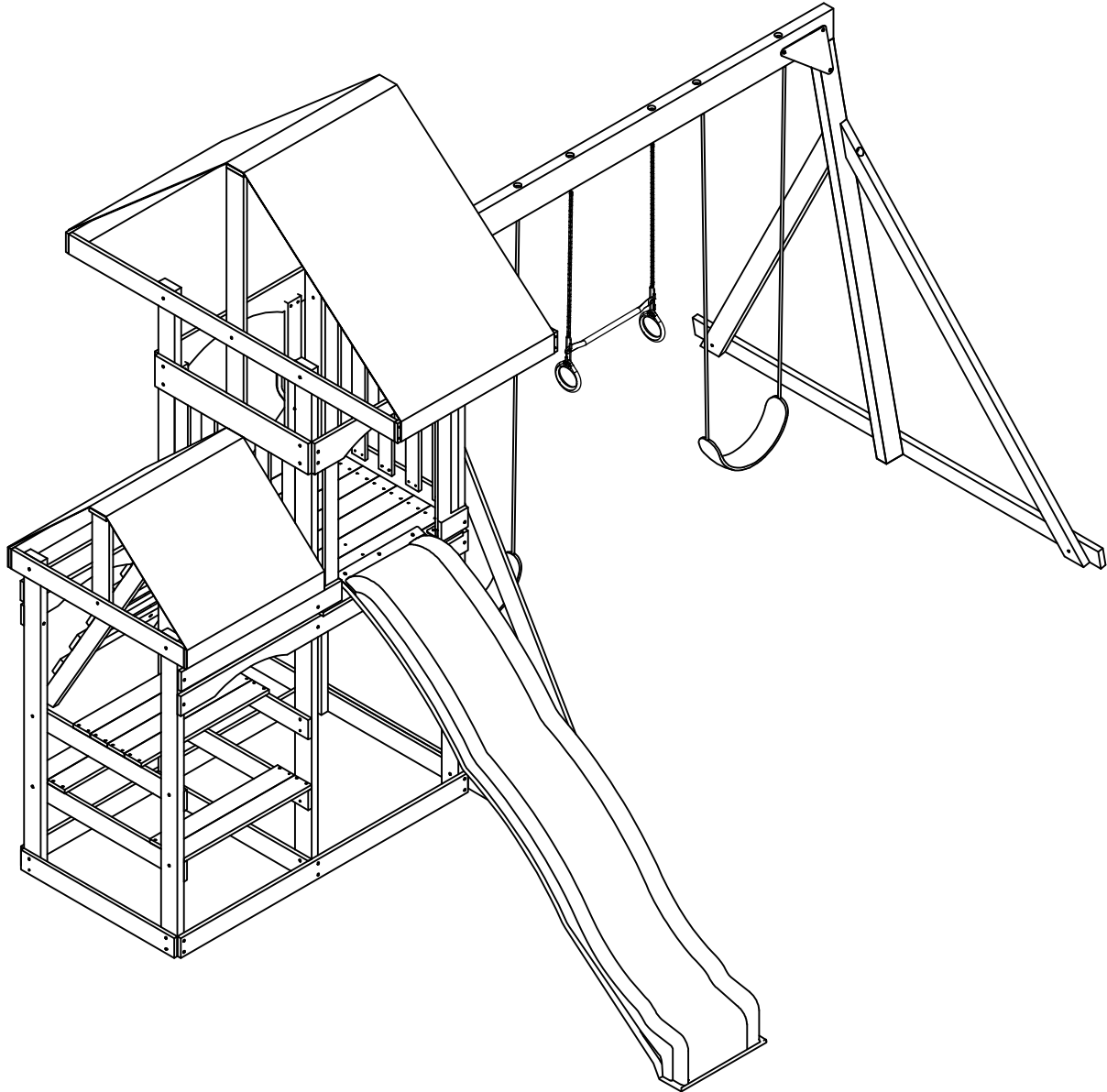


Owner's Manual And Assembly Instructions



Woodlands

Model: 3681



●.....●

**Thank you for purchasing a
Creative Cedar Designs
Playcenter. We hope it will
bring you and your children
many years of safe and
enjoyable backyard fun.**

●.....●

Table of Contents

Letter to Customer	2
Positioning Your Playcenter	3
Tools Required for Assembly	3
Helpful Installation Hints	4
Suggested Playground Surfacing	5
Operating Instructions	6
Maintenance Instructions	7
Disposal Instructions	7
CPSC Information Sheet	8
Assembly Instructions	9
Limited Warranty	42
Warranty Claim Procedure	43
Customer Registration Card	44

●.....●

**Your owner's manual should be read carefully
before starting assembly.**



STOP...PLEASE READ!!

IF YOU HAVE ANY QUESTION OR ARE MISSING A PART, PLEASE DO NOT CONTACT THE RETAILER THAT YOU PURCHASED THIS PRODUCT FROM. PLEASE VISIT

www.creativecedardesigns.com

OR CONTACT US DIRECTLY AT OUR OFFICE, 1-888-363-4967.

WE WILL ANSWER YOUR QUESTIONS, OR HELP WITH WHAT YOU NEED.

For more efficient service, please log onto our websites at

www.creativecedardesigns.com

and fill out a request for missing or damaged parts. A completed product registration is also necessary for all warranty claims.

For all international customers, please visit the following website for information on all warranty issues including where to obtain replacement parts.

www.creativecedardesigns.com

Dear Customer:

Thank you for purchasing a Creative Cedar Designs Playcenter. We hope it will bring you and your children many years of safe and enjoyable fun. Creative Cedar Designs equipment is recommended for use by children 3 to 10 years of age. Creative Cedar Designs structures are not intended for public use. Creative Cedar Designs does not warranty any of its residential structures subjected to commercial use.



WARNING: This symbol points out important safety instructions which, if not followed, could endanger the personal safety of yourself and your children and/or damage your property. You **MUST** read and follow all instructions in this manual before attempting to use this playcenter.



WARNING: Children must NOT use this playcenter until unit has been completely assembled and inspected by an adult to insure set has been properly installed.

Please follow all recommendations below. **Failure to do so may result in the warranty being void and/or safety violations that could result in serious injury.** The following information has been provided to help you in your installation, continued satisfaction, and safe operation of your Creative Cedar Designs purchase.

Always keep the safety of your children in mind as your play structure is being built and as your children play on the set. Before your children play on the set please review the Operation Instructions with them to help ensure their safety.

PLEASE RETAIN THESE INSTRUCTIONS FOR FUTURE REFERENCE. KEEP THEM IN A SAFE PLACE WHERE YOU CAN REFER TO THEM AS NEEDED. IN ORDER TO PROVIDE YOU WITH THE MOST EFFICIENT SERVICE, IT IS REQUIRED THAT YOU PROVIDE US WITH THE PART NUMBERS WHEN ORDERING PARTS.

Please do NOT return the playcenter to the retailer from which it was purchased, without first contacting Customer Service.

General Information:

Please take time and fill out the information below. This information will be needed for warranty issues.

Date of Purchase: _____ **Date stamped on box:** _____

Manufacturer: Creative Cedar Designs **Retailer:** _____
2700 Riverside Dr. _____
Chattanooga, TN 37406 _____

E-mail: custservice@creativecedardesigns.com

Website: www.creativecedardesigns.com

Unit Type:

Unit Name: Woodlands Gymset

Unit Model Number: 3681

Revision Date: 10/23/2017

Maximum Fall Height: 6'-5"




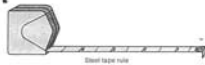


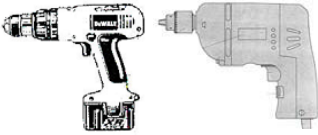




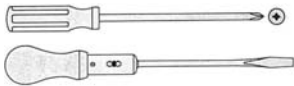

The instructions and owner’s manual for your new Playcenter should be read in its entirety before assembly, to minimize problems and safety issues. We recommend reading the owner’s manual thoroughly after you have identified all of the parts for your Playcenter as discussed in the Helpful Installations Hints section below.

Positioning Your Play center

1. The Playcenter is designed to be installed on a level surface **by an Adult with an Adult helper**. Try to place in a flat area of your yard to minimize ground preparation.
2. Choose a level location for the equipment. This can reduce the likelihood of the play set tipping over and loose-fill surfacing material washing away during heavy rains.
3. Place the equipment not less than 6 ft from any structure or obstruction such as a fence, garage, house, overhanging branches, laundry lines, or electrical wires.
4. Provide enough room so that the children can use the equipment safely. For example, for structures with multiple play activities, a slide should not exit in front of a swing.
5. It is a good idea to place your Playcenter in an area that is convenient for adults to watch children at play.
6. Create a site free of obstacles that could cause injuries – such as low overhanging tree branches, overhead wires, tree stumps and/or roots, large rocks, bricks and concrete. We have additional suggestions in the Suggested Playground Surfacing Section.
7. Do not build your playset on top of surfacing material.
8. Locate bare metal platforms and slides out of direct sunlight to reduce the likelihood of serious burns. A slide that faces north will receive the least direct sunlight.
9. Separate active and quiet activities from each other. For example, locate sandboxes away from swings or use a guardrail or barrier to separate the sandbox from the movement of the swings.

Tools Required for Installation:

(These are the tools that are generally required for assembly of our playsets. These tools are not included in the playset purchase.)

			
(Level 24")	(Open end Wrenches 1/2" & 7/16")	(Nut drivers 1/2" & 9/16")	
			
(Tape Measure)	(3/8" Drive Ratchet, 1/2" & 9/16" std sockets 1/2" & 9/16" deep sockets)	(Claw Hammer)	
			
(3/8" drill)	(1/8", 5/16" & 3/8" Drill bits)	(Drill attachments: 3/8" drill bits) (3/8" Socket Driver Torque head screw)	Ladder
			
(An Adult w/an Adult helper)	(Phillips & Straight Blade screw drivers)	(Rubber Mallet –Optional)	

Helpful Installation Hints

1. Depending on your experience, assembly of this Play set should take approximately 6 to 12 hours after inventory of parts. Therefore, we recommend you set aside a full day for assembly.
2. Identify all of the parts for your Playcenter. Empty each box and lay out boards so you can see each part. Your instruction book will have detailed drawings that will make it easy for you to recognize individual parts. Keep all hardware and metal parts separate from wooden pieces.
3. After everything is laid out, check carefully to ensure all parts are present. Make sure there are no broken boards.
4. Find an area to sort your hardware. It is best to open the hardware on a solid surface so that you do not lose any pieces in the grass. This will save time and familiarize you with all the different pieces in the hardware bag.
5. Important note: Wood has some natural defects such as knots, surface cracks, etc... We reject parts that are structurally defective. We use a high quality lumber in our structures; however, you should inspect each part for splinters or rough spots and sand them smooth to prevent injury.
6. After steps 1 thru 4 have been completed, read all the way through the instructions completely. Reading instructions after you have studied the parts will help you understand more clearly the installation process, and help to eliminate unnecessary mistakes.
7. Pay close attention to the diameter and length of each bolt and screw.
8. Swing hangers should be buried past the threads, so that the loop is against the swing beam. Creative Cedar Designs is not responsible for incorrect installations of swing hangers. Failure to properly install swing hangers may cause severe injury.
9. Never tighten hardware completely at first. It helps to have some adjustment for bolt alignment while you are attaching parts together. After everything is square, tighten each joint.
10. After the main unit is assembled it is critical that the floor is level and square. If the main frame is not level, the walls and floor will be out of square.
11. After you complete installation, make sure every bolt, screw, and nut is tight, and every board is secure. Wood will expand and contract with the seasons. Check all bolt connections and swing hangers every two weeks.
12. Place the set on level ground, not less than 6ft from any structure or obstruction such as a fence, garage, house, overhanging branches, laundry lines, or electrical wires.

READ! VERY IMPORTANT!

If you are missing parts or have questions regarding the installation of our quality product PLEASE call us directly at our offices (1-888-363-4967). Our trained staff will be happy to assist you.

**Customer service hours:
Monday thru Friday 9am to 4pm
Eastern Standard Time.**

E-mail: custservice@creativecedardesigns.com

Suggested Playground Surfacing

- ❑ Playground equipment should never be placed on hard surfaces such as concrete or asphalt.
- ❑ Do not install loose fill surfacing over hard surfaces such as concrete or asphalt.
- ❑ Shredded bark mulch, wood chips, fine sand and fine gravel, are added as shock absorbing materials after assembly. If used properly these materials can absorb some of the impact of a child’s fall.
- ❑ All surface material should extend a minimum of 6 feet in all directions around the play area.
- ❑ Do not apply playground surfacing until after the unit is completely constructed. Playset should not be built on top of surfacing.
- ❑ Use containment, such as digging out around the perimeter and/or lining the perimeter with landscape edging.
- ❑ Installation of rubber tiles or poured-in-place surfaces (other than loose-fill materials) generally require a professional and are not “do-it-yourself” projects.
- ❑ Shall use Playground Surfacing Materials (other than loose-fill material) which comply to the safety standard ASTM F1292 Standard Specification of Impact Attenuation of Surfacing Materials within the Use Zone of Playground Equipment.

The following chart explains the fall height in feet from which a life threatening head injury would not be expected
Critical Heights in feet (m) of Tested Materials

Material	Uncompressed Depth			Compressed Depth
	6" (152mm)	9" (228mm)	12" (304mm)	to 9" (228mm)
Wood Chips	7' (2.13m)	10' (3.05m)	11' (3.35m)	10' (3.05m)
Double-Shredded bark mulch	6' (1.83m)	10' (3.05m)	11' (3.35m)	7' (2.13m)
Engineered Wood Fibers	6' (1.83m)	7' (2.13m)	>12' (3.66m)	6' (1.83m)
Fine Sand	5' (1.52m)	5' (1.52m)	9' (2.74m)	5' (1.52m)
Coarse Sand	5' (1.52m)	5' (1.52m)	6' (1.83m)	4' (1.22m)
Fine Gravel	5' (1.52m)	7' (2.13m)	10' (3.05m)	6' (1.83m)
Medium Gravel	5' (1.52m)	5' (1.52m)	6' (1.83m)	5' (1.52m)
Shredded Tires*	10-12' (3.0-3.6m)	N/A	N/A	N/A

*This data is from tests conducted by independent testing laboratories on a 6-inch depth of uncompressed shredded tire samples produced by four manufacturers. The tests reported critical heights, which varied from 10 feet to greater than 12 feet. It is recommended that persons seeking to install shredded tires as a protective surface request test data from the supplier showing the critical height of the material when it was tested in accordance with ASTM F1292.

Operating Instructions:



NOTE: Your children's safety is our #1 concern. Observing the following statements and warnings reduces the likelihood of serious or fatal injury. Please review these safety rules regularly with your children.

1. This Playcenter is designed for the use of 6 occupants, who have a combined weight **not exceeding** 420 pounds, 4 occupants on the swing area, who have a combined weight of 350 pounds, for a total unit capacity of 10 occupants who who have a combined total weight of 770 pounds.
(this weight is not including the sand box area)
2. On-site adult supervision is **required**.
3. Instruct children **not** to walk close to, in front of, behind, or between moving swings or other moving playground equipment.
4. Instruct children to sit in and **never** stand on swings
5. Instruct children **not** to twist the chains and ropes and not to loop them over the top support bar, since this may reduce the strength of the chain or rope.
6. Instruct children **not** to jump from swings or other playground equipment in motion.
7. Instruct children to **not push** empty seats. The seat may hit them and cause serious injury.
8. Instruct and teach children to sit in the center of the swings with their full weight on the seats.
9. Instruct children **not** to use the equipment in a manner other than intended.
10. Instruct children to **always** go down slides feet first. Never slide headfirst.
11. Instruct children to **look** before they slide to make sure no one is at the bottom.
12. Instruct children to **never** run up a slide, as this increases their chances of falling.
13. The parents should have the children **dress appropriately** with well-fitting shoes. Loose clothing such as scarves and ponchos should not be worn. Always take off, tie up or tuck in cords and drawstrings on children's clothing. These things can get caught on playground equipment and strangle a child.
14. Instruct children **not** to climb when the equipment is wet.
15. Instruct children to **never** jump from a fort deck. They should always use the ladder, ramp or slide.
16. Instruct children to **never** crawl on top of a fort roof.
17. Verify that any suspended climbing ropes, chain, or cable are secured at both ends and that they cannot be looped back on it.
18. Instruct children **not** to attach items to the playground equipment that are not specifically designed for use with the equipment, such as, but not limited to, jump ropes, clothesline, pet leashes, cables, and chain as they may cause a strangulation hazard.
19. Instruct children to **never** wrap their legs around swing chain.
20. Instruct children to **never** slide down the swing chain.

Maintenance Instructions:

1. Check all nuts and bolts twice monthly during the usage season and tighten as required. (But not so tight that you crack the wood) We recommend you check the swing beam and hardware every two weeks due to wood expansion and contraction. It is particularly important that this procedure be followed at the beginning of each season.
2. Remove plastic swing seats and take indoors or do not use when the temperature drops below 32 °F.
3. Oil all metallic moving parts monthly during the usage period.
4. Check all coverings for bolts and sharp edges twice monthly during usage season to be certain they are in place. Replace when necessary. It is especially important to do this at the beginning of each new season.
5. Check swing seats, ropes, cables and chains monthly during usage season for evidence of deterioration. Replacement should be made of any swing seat that has developed cracks in the plastic seats or has exposed metal in the edges of the swing seat. If there are already exposed metal inserts on the edge of the seat, immediately remove the seats and chains to prevent serious injury. Ropes, cables and chains should be removed and replaced if excessive wear is found. Contact Creative Cedar Designs for replacement parts.
6. For rusted areas on metallic members such as monkey bars, hand supports, brackets, etc., sand and repaint, using a non lead-based paint meeting the requirements of Title 16 CRF Part 1303.
7. Inspect wood parts monthly. The grain of the wood sometimes will lift in the dry season causing splinters to appear. Light sanding may be necessary to maintain a safe playing environment. If you are treating your Playcenter with stain regularly, it will help prevent severe checking/splitting and other weather damage.
8. We have applied a waterborne transparent stain to your unit. This is done for color only. **Once or twice a year, depending on your climate conditions, you must apply some type of protection (sealant) to the wood of your unit.** Prior to the application of sealant, lightly sand any “rough” spots on your set. **Please note this is a requirement of your warranty.**
9. Creating and maintaining the Playcenter on a level location is very important. As your children play, your Playcenter will slowly dig its way into the soil, and it is very important that it settles evenly. Make sure the play set is level and true once each year or at the beginning of each play season.
10. Rake the surface periodically to prevent compaction and maintain appropriate depths.

Disposal Instructions:

When the Playcenter use is no longer desired, it should be disassembled and disposed of in such a way that no unreasonable hazards will exist at the time the unit is discarded.

APPENDIX A

Information on Playground Surfacing Materials:

The following information is from the *United States Consumer Product Safety Commission's Information Sheet for playground surfacing material*. Also see the following website for additional information: <https://www.cpsc.gov/PageFiles/122146/324.pdf>

X3. SECTION 4 OF THE CONSUMER PRODUCT SAFETY COMMISSION ' S OUTDOOR HOME PLAYGROUND SAFETY HANDBOOK⁹

X3.1.1.1 Maintain a minimum depth of 9 inches of loosefill materials such as wood mulch/chips, engineered wood fiber (EWF), or shredded/recycled rubber mulch for equipment up to 8 feet high; and 9 inches of sand or pea gravel for equipment up to 5 feet high. NOTE: An initial fill level of 12 inches will compress to about a 9- inch depth of surfacing over time. The surfacing will also compact, displace, and settle, and should be periodically refilled to maintain at least a 9 - inch depth.

X3.1.2 Use a minimum of 6 inches of protective surfacing for play equipment less than 4 feet in height. If maintained properly, this should be adequate. (At depths less than 6 inches, the protective material is too easily displaced or compacted.) NOTE: Do not install home playground equipment over concrete, asphalt, or any other hard surface. A fall onto a hard surface can result in serious injury to the equipment user. Grass and dirt are not considered protective surfacing because wear and environmental factors can reduce their shock absorbing effectiveness. Carpeting and thin mats are generally not adequate protective surfacing. Ground level equipment-such as a sandbox, activity wall, playhouse or other equipment that has no elevated play surface-does not need any protective surfacing.

X3.1.3 Use containment, such as digging out around the perimeter and/or lining the perimeter with landscape edging. Don ' t forget to account for water drainage.

X3.1.3.1 Check and maintain the depth of the loose-fill surfacing material. To maintain the right amount of loose- fill materials, mark the correct level on play equipment support posts. That way you can easily see when to replenish and/or redistribute the surfacing.

X3.1.3.2 Do not install loose fill surfacing over hard surfaces such as concrete or asphalt.

X3.1.4 Poured-In-Place Surfaces or Pre-Manufactured Rubber Tiles -You may be interested in using surfacing other than loose-fill materials-like rubber tiles or poured-in-place surfaces.

X3.1.4.1 Installations of these surfaces generally require a professional and are not "do-it-yourself" projects.

X3.1.4.2 Review surface specifications before purchasing this type of surfacing. Ask the installer/manufacture for a report showing that the product has been tested to the following safety standard: ASTM F 1292 Standard Specification for Impact Attenuation of Surfacing Materials within the Use Zone of Playground Equipment. This report should show the specific height for which the surface is intended to protect against serious head injury. This height should be equal to or greater than the fall height-vertical distance between a designated play surface (elevated surface for standing, sitting, or climbing) and the protective surfacing below of your play equipment.

X3.1.4.3 Check the protective surfacing frequently for wear.

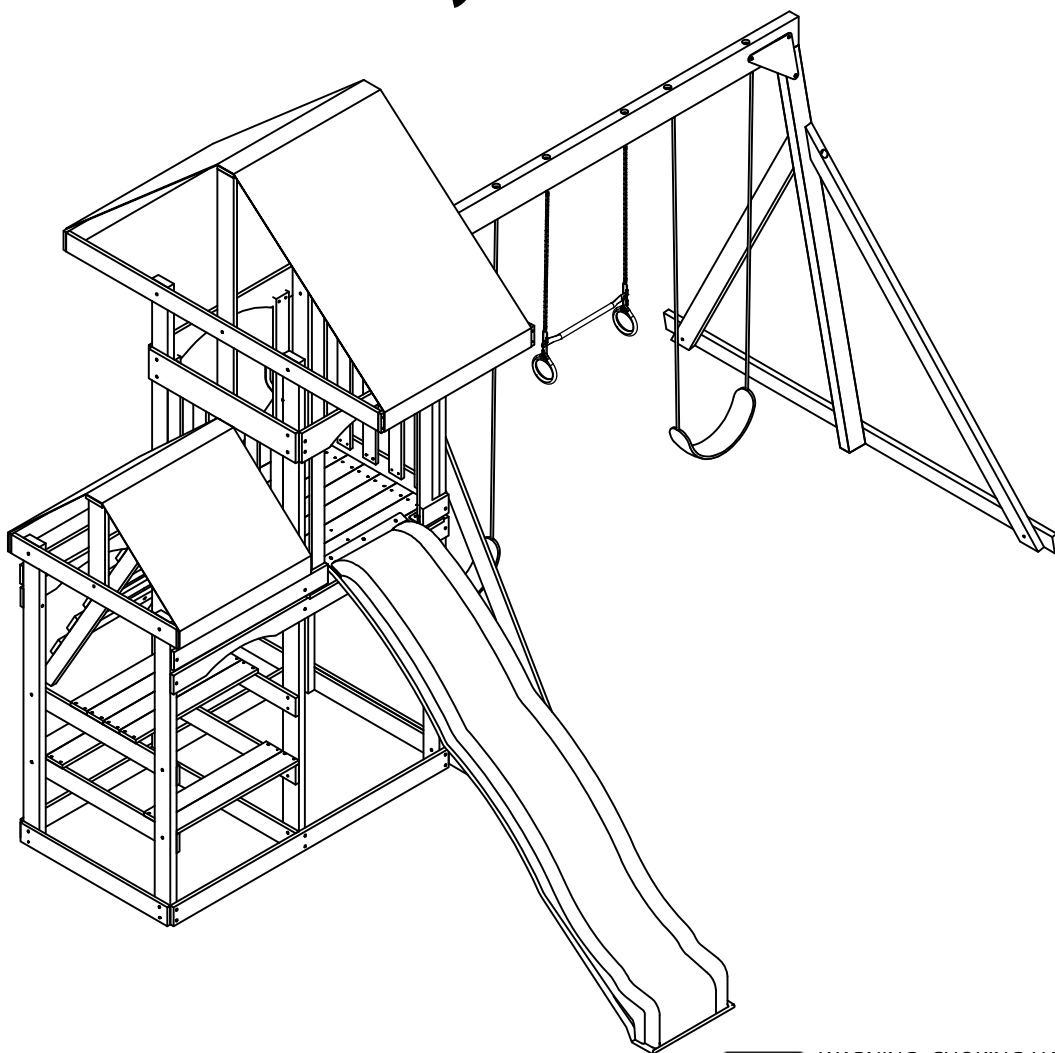
X3.1.5 Placement—Proper placement and maintenance of protective surfacing is essential. Be sure to:

X3.1.5.1 Extend surfacing at least 6 feet from the equipment in all directions.

X3.1.5.2 For to-fro swings, extend protective surfacing in front of and behind the swing to a distance equal to twice the height of the top bar from which the swing is suspended.

X3.1.5.3 For tire swings, extend surfacing in a circle whose radius is equal to the height of the suspending chain or rope, plus 6 feet in all directions.

Woodlands Gymset Assembly Instructions



WARNING: CHOKING HAZARD
Unassembled parts may be a choking hazard to children 3 years and younger.



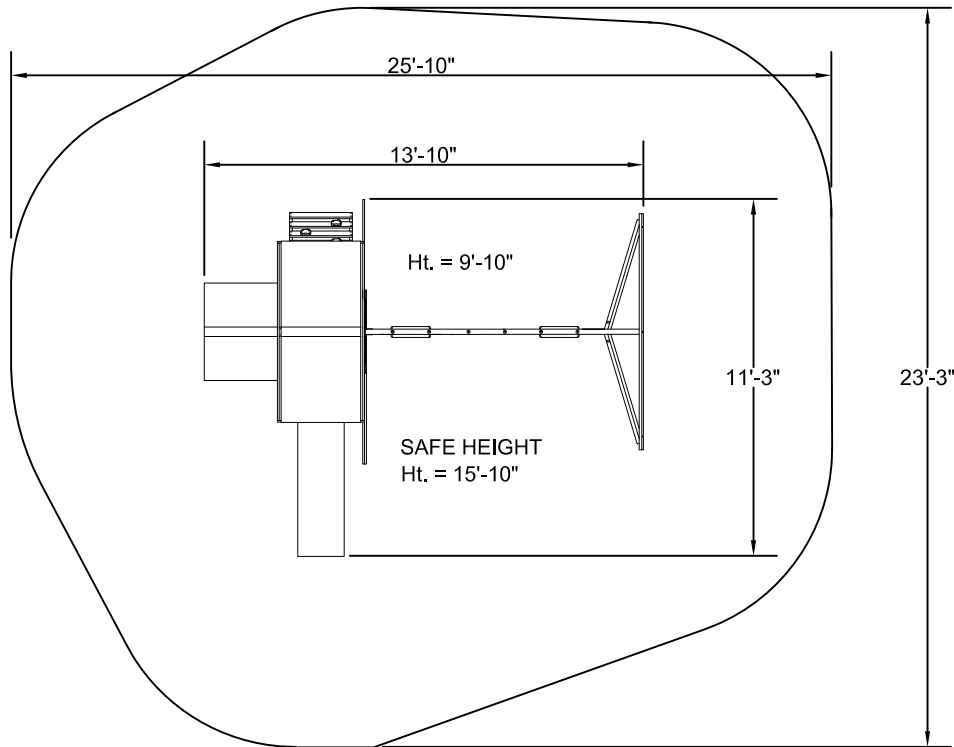
CAUTION: Adult Assembly Required.
Hardware contains small pieces with sharp points. Keep parts out of the reach of children until assembled. Parts of this product can present dangers if improperly assembled.



CAUTION: The plastic bags that contain the hardware may present a choking hazard to small children. Please keep these bags and all plastic bags out of the reach of children. Do not allow children to play with them and dispose of them immediately when empty.

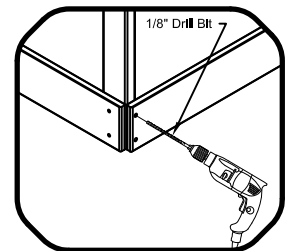
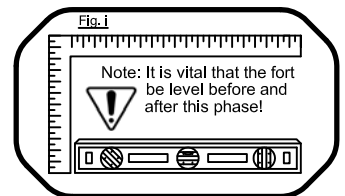
Basic Setup Dimensions

Place the set on level ground, not less than 6ft (1.83M) from any structure or obstruction such as a fence, garage, house, overhanging branches, laundry lines or electrical wires.



Important Assembly Notes

- 1) While assembling unit, take time before and after each phase to make sure Fort is level. If fort is not level, assembly will be difficult and improper assembly may result. Extra care must be taken to assure the fort is square on the phases that include this symbol in Fig i.
- 2) When installing a board on the small face of a 2x4, pre-drilling the attachment hole is **REQUIRED**. Just place the board where attachment is needed and by using the holes in the board as a guide, drill holes into the 2x4 with a $\frac{1}{8}$ " drill bit $\frac{1}{4}$ " deep. Failure to Pre-drill may result in board splitting
- 3) Whenever a T-nut is used, follow these directions. Place t-nut in pre-drilled hole. Tap in with hammer. Place bolt with split and flat washers in the opposite side. Hand tighten to make sure the bolt is in the t-nut. Secure with socket. **DO NOT Over Tighten.**
- 4) Pay close attention to the "Items needed" and "Hardware needed" sections of each phase. They can be a valuable aid when sorting your wood and hardware. Assembly will be made easier if items are sorted by phase.
- 5) Pay close attention to make sure you are using the correct hardware in the correct places. Using incorrect hardware may result in improper assembly.
- 6) Read the steps of each phase thoroughly. The written steps may include important information not shown in the illustrations.



Wood Identification

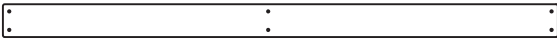
(2) WQ101- Tower Upright - 1 5/16 X 3 3/8 X 89 1/2



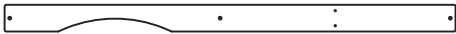
(2) WQ102- Tower Upright - 1 5/16 X 3 3/8 X 89 1/2



(2) WD103- Ground Beam - 11/16 X 3 1/2 X 59



(2) WD104- Floor Joist - 11/16 X 3 1/2 X 59



(2) WD105 - Floor Joist - 1X 3 1/2 X 31 1/2



(1) WD106 - Floor Joist - 11/16 X 3 1/2 X 31 1/2



(2) WD107 - Tower Rail - 11/16 X 3 1/2 X 31 1/2



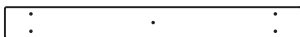
(2) WF108 - Arch Guardrail - 11/16 X 5 1/2 X 31 1/2



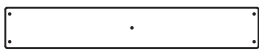
(2) WF109 - Tower Guardrail - 11/16 X 5 1/2 X 31 1/2



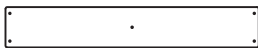
(7) WD110 - Floor Board - 11/16 X 3 1/2 X 33 5/8



(1) WE111 - Floor Board - 11/16 X 4 5/8 X 28 3/4



(1) WE112 - Floor Board - 11/16 X 4 5/8 X 28 3/4



(14) WC113 - Wall Slat - 9/16 X 2 11/16 X 25



(2) WD115 - Wall Rail - 11/16 X 3 1/2 X 5 1/2



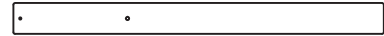
(2) WD116 - Cross Brace - 11/16 X 3 1/2 X 66 7/8



(2) WD117 - Tarp End Cap - 9/16 X 3 1/2 X 32 7/8



(2) WD118 - Tarp Upright - 3/4 X 3 1/2 X 42



(1) WD119 - Tarp Support - 11/16 X 3 1/2 X 31 1/2



(2) WQ120 - Short Upright - 1 5/16 X 3 3/8 X 56 1/8



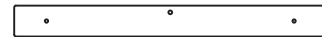
(6) WD121 - Tower Rail - 11/16 X 3 1/2 X 31 1/2



(8) WD122 - Picnic Table Board - 11/16 X 3 1/2 X 26 1/4



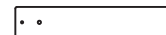
(1) WD123 - Cross Brace - 11/16 X 3 1/2 X 35 3/8



(2) WD124 - Cross Brace - 11/16 X 3 1/2 X 5 3/8



(1) WD125 - Tarp Upright - 3/4 X 3 1/2 X 17 7/8



(1) WD126 - Tarp Upright - 3/4 X 3 1/2 X 19 5/8



(2) WD127 - Tarp End Cap - 5/8 X 3 1/2 X 28 1/4

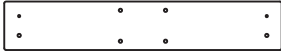


(1) WD128 - Tarp Support - 11/16 X 3 1/2 X 28 1/4

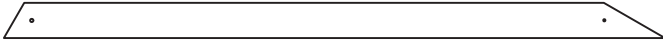


Wood Identification

(1) WF129 - Swing Beam Attachment Rail - 1 X 5 1/2 X 31 1/2



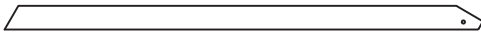
(2) WD130 - Angle Brace - 11/16 X 4 X 75



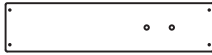
(2) WD131 - Ground Beam - 11/16 X 3 1/2 X 65 5/8



(2) WC132 - Rockwall Rail - 1 X 2 11/16 X 54 1/4



(2) WF133 - Rockwall Board - 11/16 X 5 1/2 X 23 5/8



(6) WD134 - Rockwall Board - 11/16 X 3 1/2 X 23 5/8



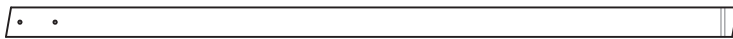
(2) WD139 - Wall Rail - 11/16 X 3 1/2 X 33



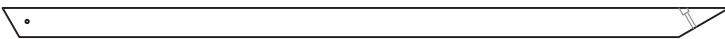
(1) WS135 - Swing Beam Top Beam - 1 15/16 X 5 1/4 X 89 1/2



(1) WQ136 - Swing Beam Leg - 1 15/16 X 3 3/8 X 82 1/2



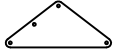
(2) WQ137 - Swing Beam Leg - 1 5/16 X 3 1/4 X 76 3/8



(1) WD138 - Swing Beam Ground Beam - 1 X 3 1/4 X 83 5/16



Accessory Identification



(2) 100° TRIANGLE PLATE - M100



(2) GREEN ANGLE BRACKET (5") - M005



(6) GREENL-BRACKET-M003



(1) LARGE FORT TARP (GREEN) - PT015



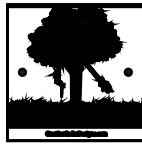
(1) SMALL FORT TARP (GREEN) - P016



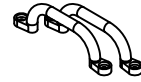
(2) 4 COUNT BAGS CLIMBING ROCKS BP011-GYBR w/ HARDWARE



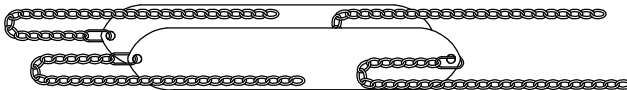
(3) 2 COUNT STD SWING HANGER BP 002 w/ HARDWARE



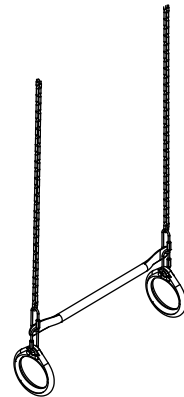
(1) NAME PLATE w/ HARDWARE



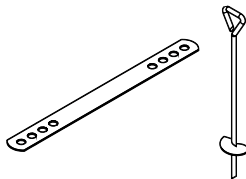
(1 - PAIR) SAFETY HANDLE BP 007-Y w/ HARDWARE



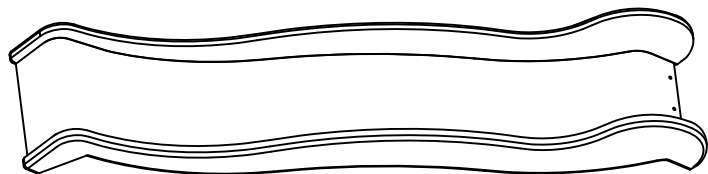
(2) STANDARD SWING SEAT BP010-Y



(1) RING-TRAP COMBO BP 009-BY w/ HARDWARE



(4) ANCHOR PACK BP001-B w/ HARDWARE



(1) 8' WAVE SLIDE (GREEN) w/ HARDWARE

Hardware Identification

a2. (56) 1 1/8" Deck Screws #6DS1 1/8



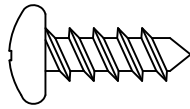
a2a. (5) 1 1/4" Deck Screws #6DS1 1/4



a3. (142) 1 1/2" Deck Screws #6DS1 1/2



b1. (10) 5/8" Tapping Screws 1/4TS5/8



c3. (50) 5/16" x 1 3/4" Hex Head Screws



c4. (2) 5/16" x 2 1/4" Hex Head Screws



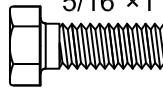
c5. (2) 5/16" x 3" Hex Head Screws



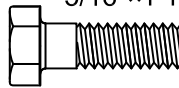
(3) 1" Truss Head Screws



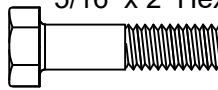
d2. (6) 5/16" x 1" Socket Truss Head Bolt



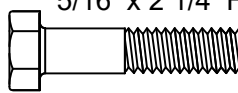
d3. (5) 5/16" x 1 1/4" Socket Truss Head Bolt



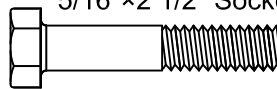
d4. (22) 5/16" x 2" Hex Head Bolt



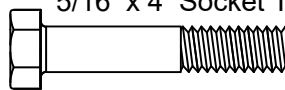
d5a. (8) 5/16" x 2 1/4" Hex Head Bolt



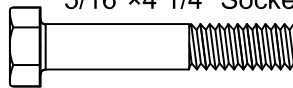
d5. (2) 5/16" x 2 1/2" Socket Truss Head Bolt



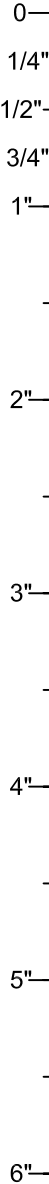
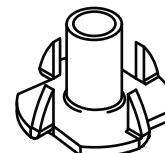
d6. (14) 5/16" x 4" Socket Truss Head Bolt



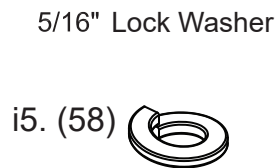
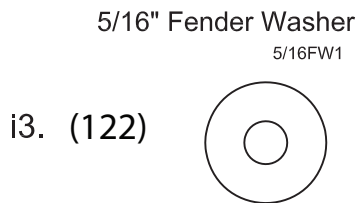
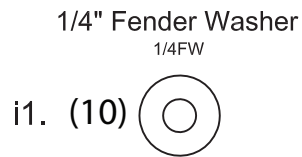
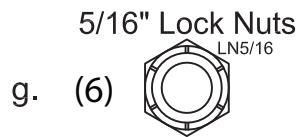
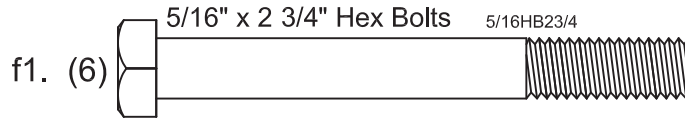
d7. (1) 5/16" x 4 1/4" Socket Truss Head Bolt



e2. (58) 5/16" T-Nut



Hardware Identification

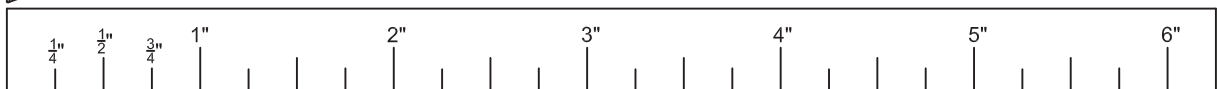
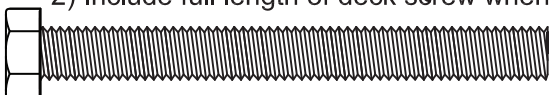


Measuring hardware

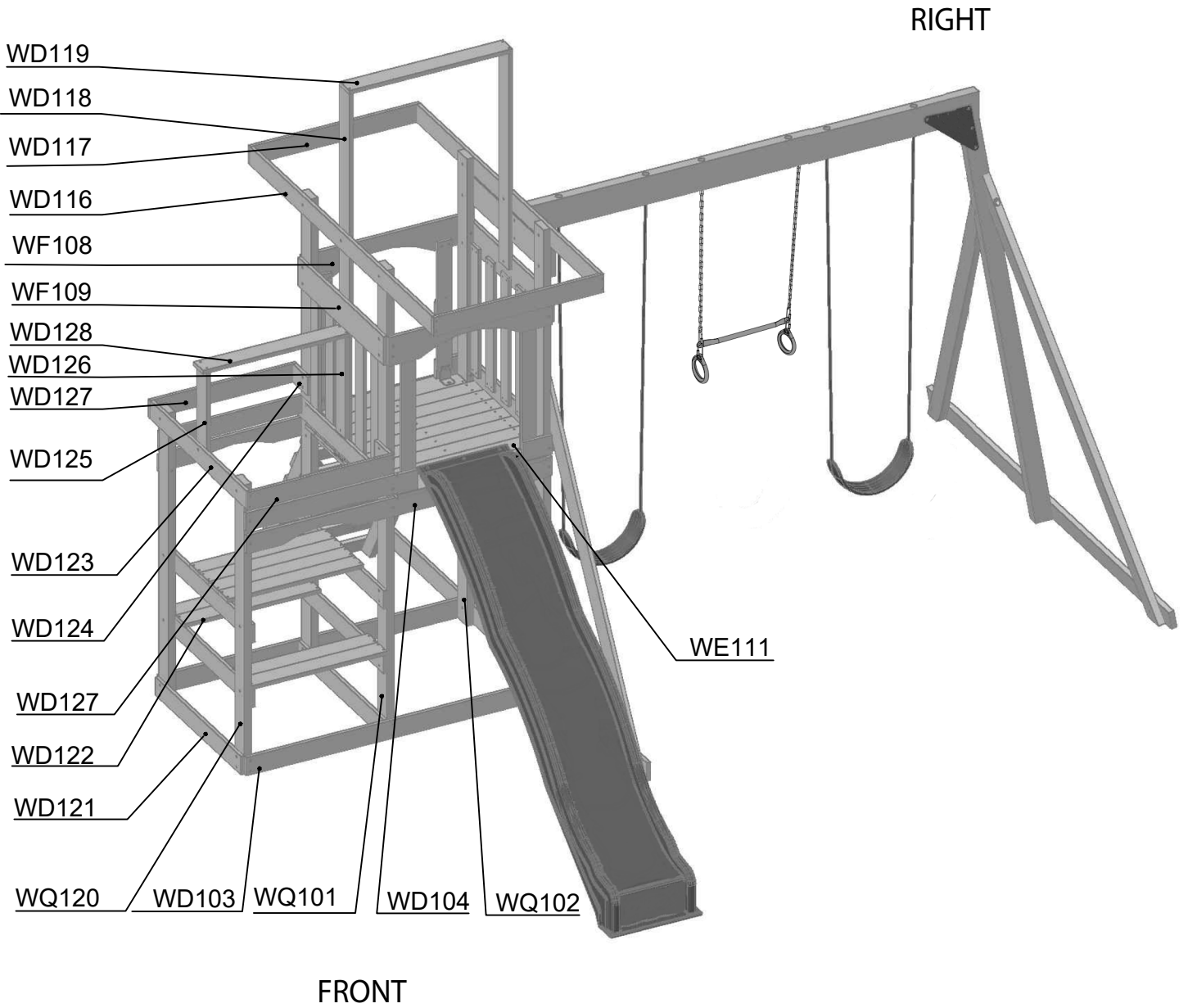
It is very important that you get the right hardware in the correct place when assembling the unit. You can compare the hardware to the hardware identification page.

NOTES:

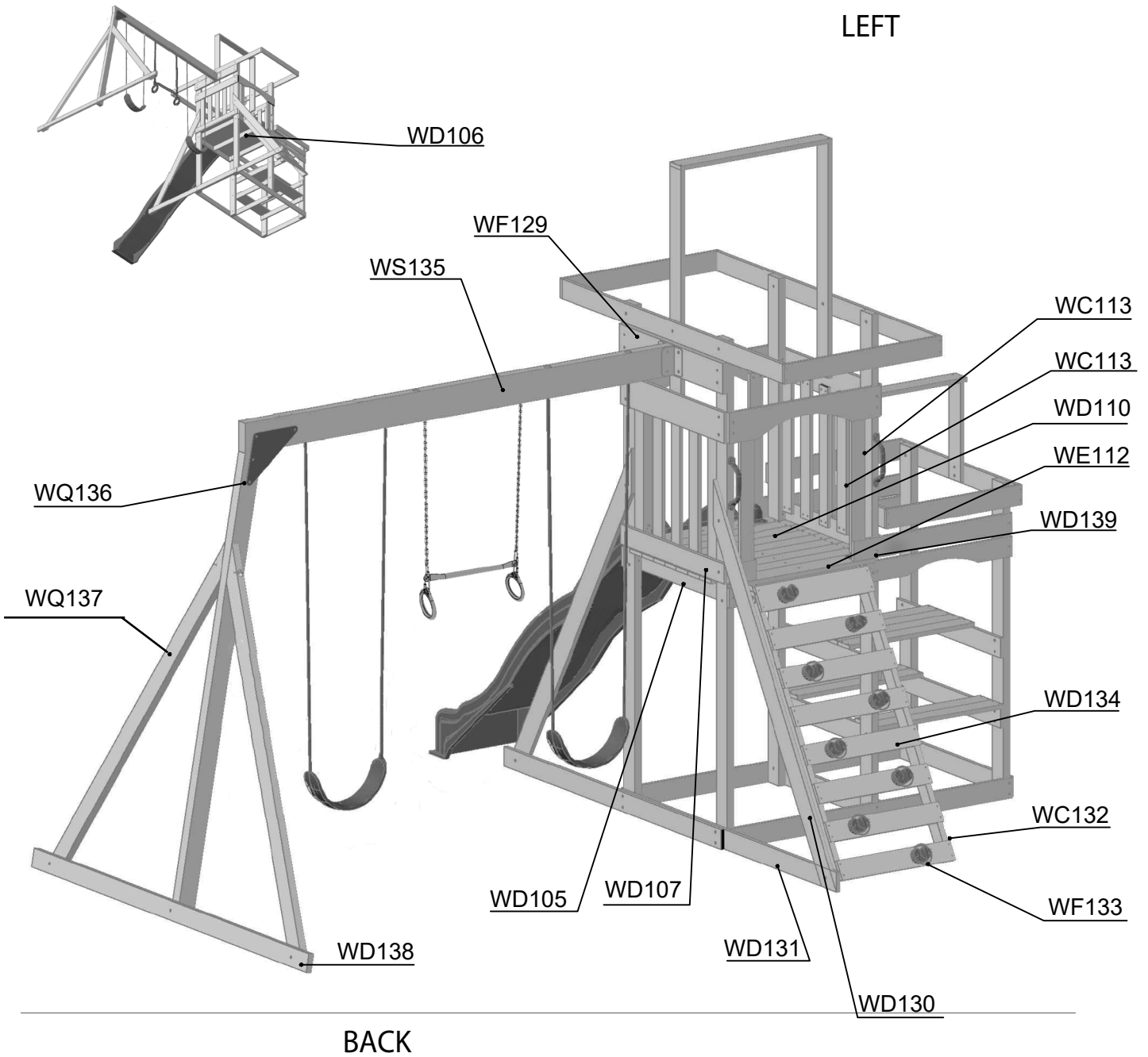
- 1) Do not include bolt head when measuring length of bolt.
- 2) Include full length of deck screw when measuring.



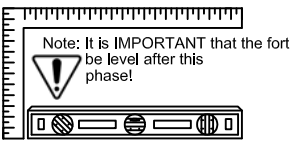
Quick Overview of Parts



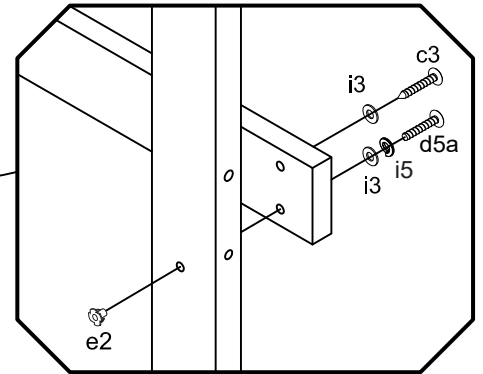
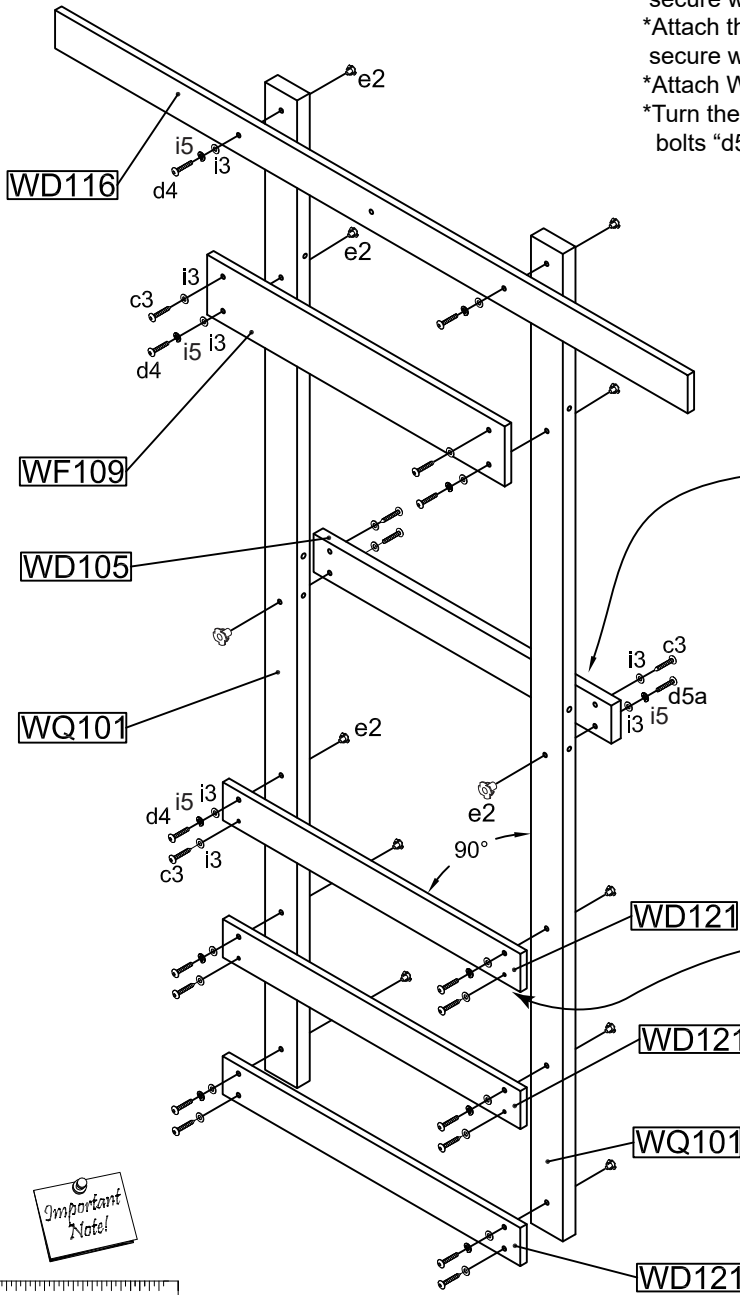
Quick Overview of Parts



LEFT WALL ASSEMBLY

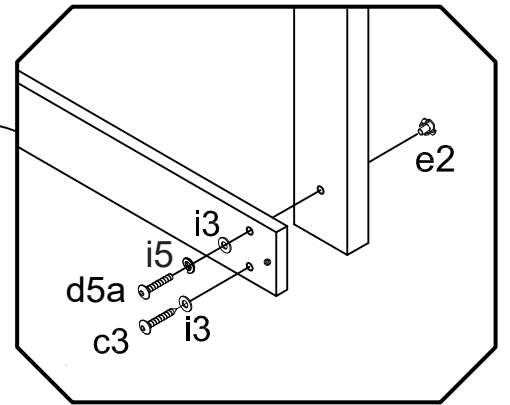


- *Lay out both WQ101 as illustrated.
- *Attach three WD121 into the pre-drilled holes with bolts "d4" and then secure with screw "c3"
- *Attach three WF109 into the pre-drilled holes with bolts "d4" and then secure with screw "c3"
- *Attach WD116 into the pre-drilled holes with bolts "d4"
- *Turn the wall over and attach WD105 into the predrilled holes with bolts "d5a"



Important Note!

This slat is being attached on the opposite side of all other slats.



Important Note!

MAKE SURE FRAME IS SQUARE BEFORE PROCEEDING TO NEXT PHASE!

ITEMS NEEDED

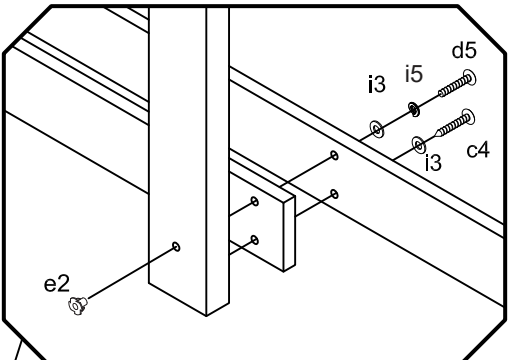
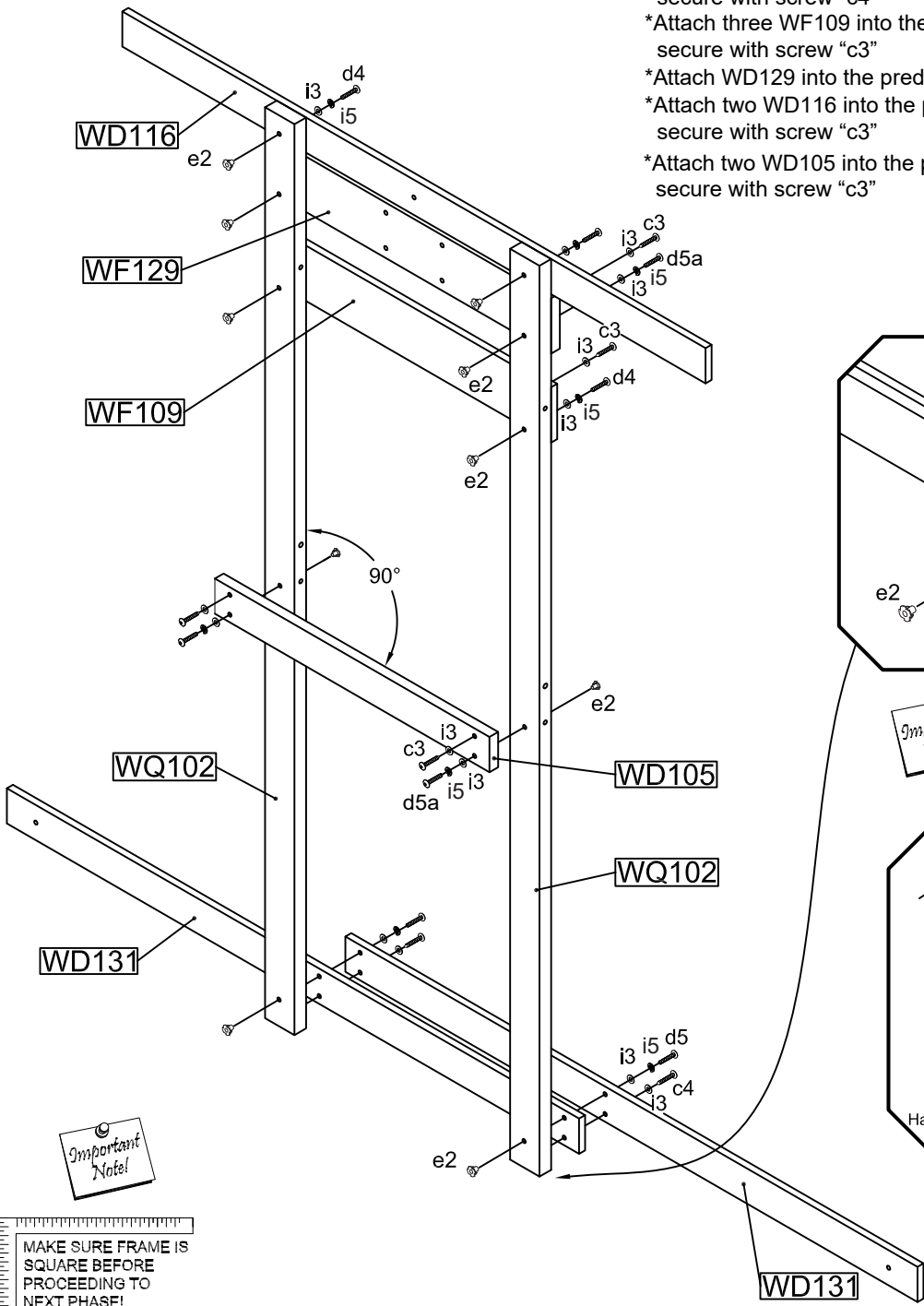
- (2) WQ101 - Tower Upright - 1 5/16 X 3 3/8 X 89 1/2
- (3) WD121 - Tower Rail - 11/16 X 3 1/2 X 31 1/2
- (1) WD105 - Floor Joist - 1 X 3 1/2 X 31 1/2
- (1) WF109 - Tower Guardrail - 11/16 X 5 1/2 X 31 1/2
- (1) WD116 - Cross Brace - 11/16 X 3 1/2 X 66 7/8

HARDWARE NEEDED

- d4. (10)
- c3. (10)
- i3. (22)
- d5a. (2)
- e2. (12)
- i5. (12)

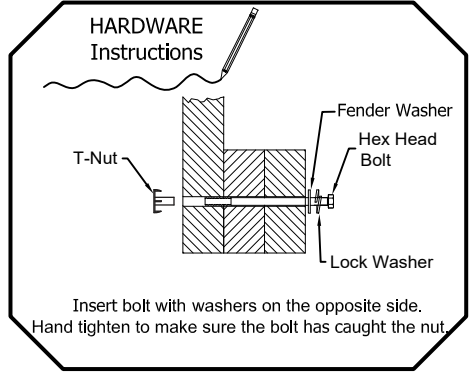
RIGHT WALL ASSEMBLY

- *Lay out both WQ102 as illustrated.
- *Attach two WD131 into the pre-drilled holes with bolts "d5" and then secure with screw "c4"
- *Attach three WF109 into the pre-drilled holes with bolts "d4" and then secure with screw "c3"
- *Attach WD129 into the predrilled holes with bolts "d5a"
- *Attach two WD116 into the pre-drilled holes with bolts "d4" and then secure with screw "c3"
- *Attach two WD105 into the pre-drilled holes with bolts "d5a" and then secure with screw "c3"



Important Note!

This slat is being attached on the opposite side at all other slats.



Insert bolt with washers on the opposite side. Hand tighten to make sure the bolt has caught the nut.

Important Note!

MAKE SURE FRAME IS SQUARE BEFORE PROCEEDING TO NEXT PHASE!

Note: It is IMPORTANT that the form be level after this phase!

ITEMS NEEDED

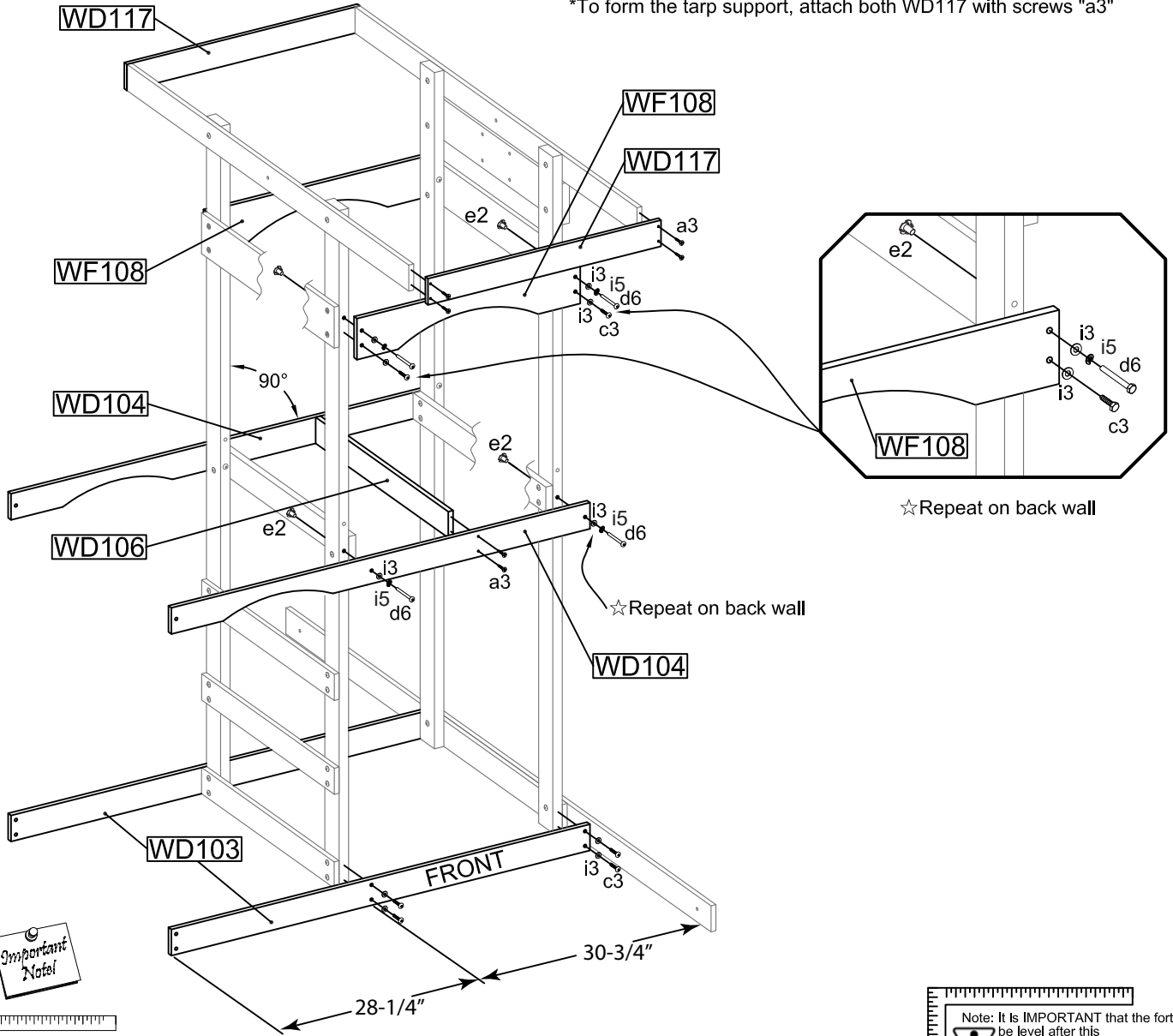
- (2) WQ102 - Tower Upright - 1 5/16 X 3 3/8 X 89 1/2
- (2) WD131- Ground Beam - 11/16 X 3 1/2 X 65 5/8
- (1) WD105 - Floor Joist - 1X 3 1/2 X 31 1/2
- (1) WF109 - Tower Guardrail - 11/16 X 5 1/2 X 31 1/2
- (1) WF129 - Swing Beam Attachment Rail- 1 X 5 1/2 X 31 1/2
- (1) WD116 - Cross Brace - 11/16 X 3 1/2 X 66 7/8

HARDWARE NEEDED

- d4. (4)
- d5. (2)
- d5a. (4)
- e2. (10)
- c3. (6)
- c4. (2)
- i3. (18)
- i5. (10)

TOWER ASSEMBLY

- *Stand up Left wall from phase 1 and Right wall from phase 2
- *To form the base of tower, attach both WD103 with screws "c3"
- *To form the deck support of the tower, attach both WD104 into the pre-drilled holes with bolts "d6"
- *To form the deck brace of the tower, attach WD106 with screws "a3"
- *To form the top of the tower, attach both WF108 into the pre-drilled holes with bolts "d6" and then secure with screws "c3"
- *To form the tarp support, attach both WD117 with screws "a3"



Important Note!

MAKE SURE FRAME IS SQUARE BEFORE PROCEEDING TO NEXT PHASE!

Note: It is IMPORTANT that the form be level after this phase!

ITEMS NEEDED

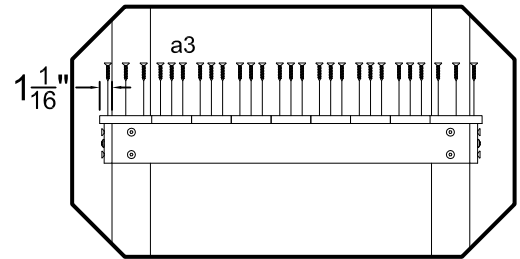
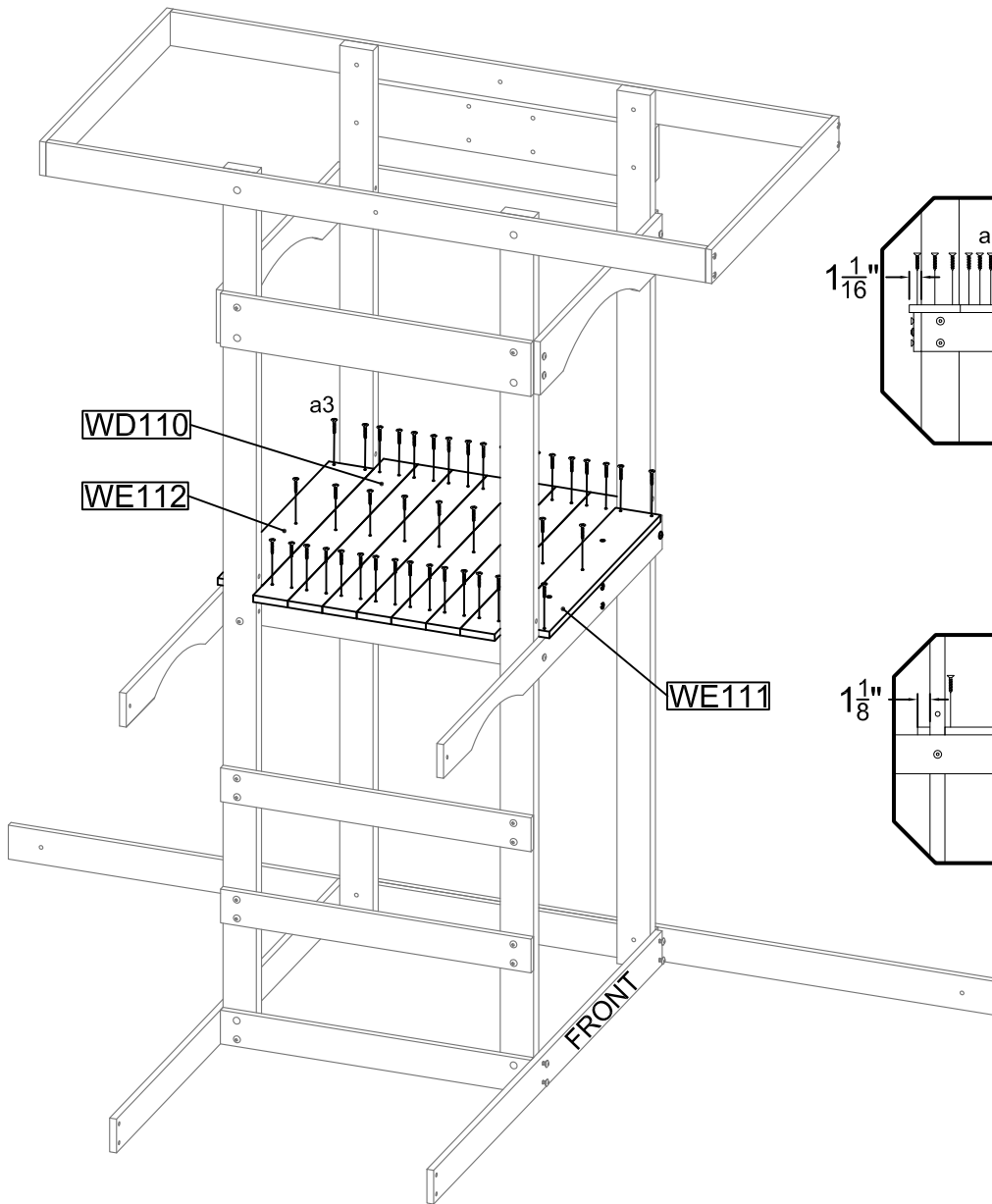
- (2) WD103 - Ground Beam - 11/16 X 3 1/2 X 59
- (2) WD104 - Floor Joist - 11/16 X 3 1/2 X 59
- (1) WD106 - Floor Joist - 11/16 X 3 1/2 X 31 1/2
- (2) WF108 - Arch Guardrail - 11/16 X 5 1/2 X 31 1/2
- (2) WD117 - Tarp End Cap - 9/16 X 3 1/2 X 32 7/8

HARDWARE NEEDED

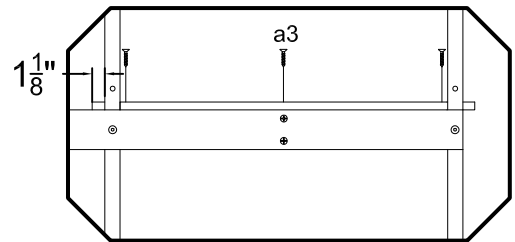
- d6. (8)
- i3. (20)
- e2. (8)
- c3. (12)
- a3. (12)
- i5. (8)

FLOOR INSTALLATION

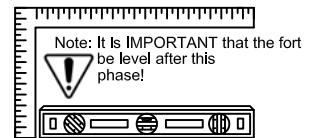
- *Lay out WE111 in the front of the tower deck
- *Lay out WE112 in the back of the tower deck
- *Lay out seven WD110 in between to form the deck
- *Make sure both sides of the deck are flush before securing with screws "a3"



view from the side



view from the front



ITEMS NEEDED

- (7) WD110 - Floor Board - $1\frac{1}{16}$ X $3\frac{1}{2}$ X $33\frac{5}{8}$
- (1) WE111 - Floor Board - $1\frac{1}{16}$ X $4\frac{5}{8}$ X $28\frac{3}{4}$
- (1) WE112 - Floor Board - $1\frac{1}{16}$ X $4\frac{5}{8}$ X $28\frac{3}{4}$

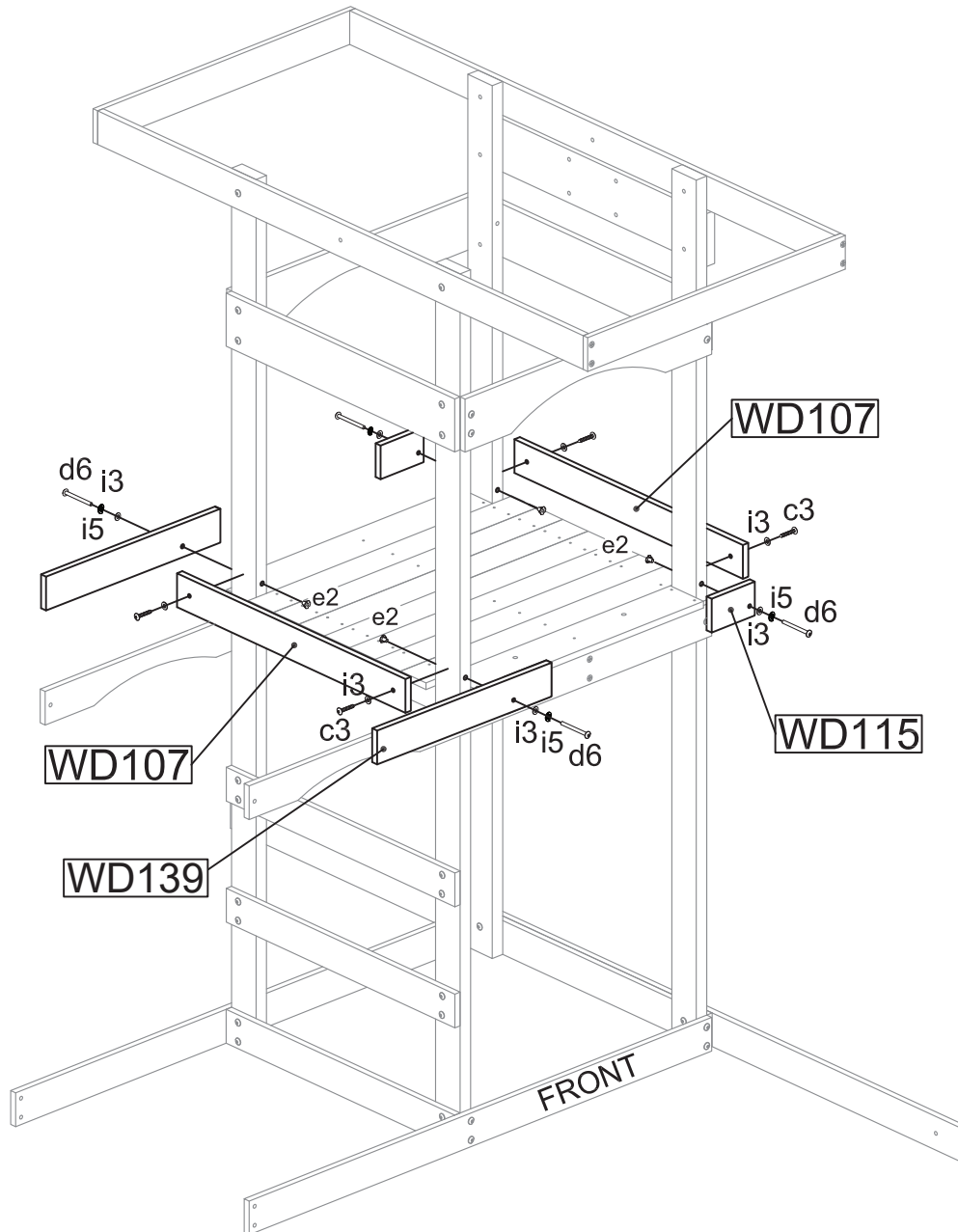
HARDWARE NEEDED

- a3. (45) 

WALL RAIL ATTACHMENT

*Attach two WD115 and two WD3139-11 into the pre-drilled holes bolts "d6"

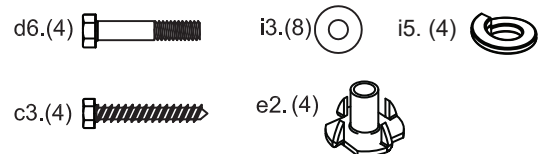
*Attach both WD107 with screws "c3"



ITEMS NEEDED

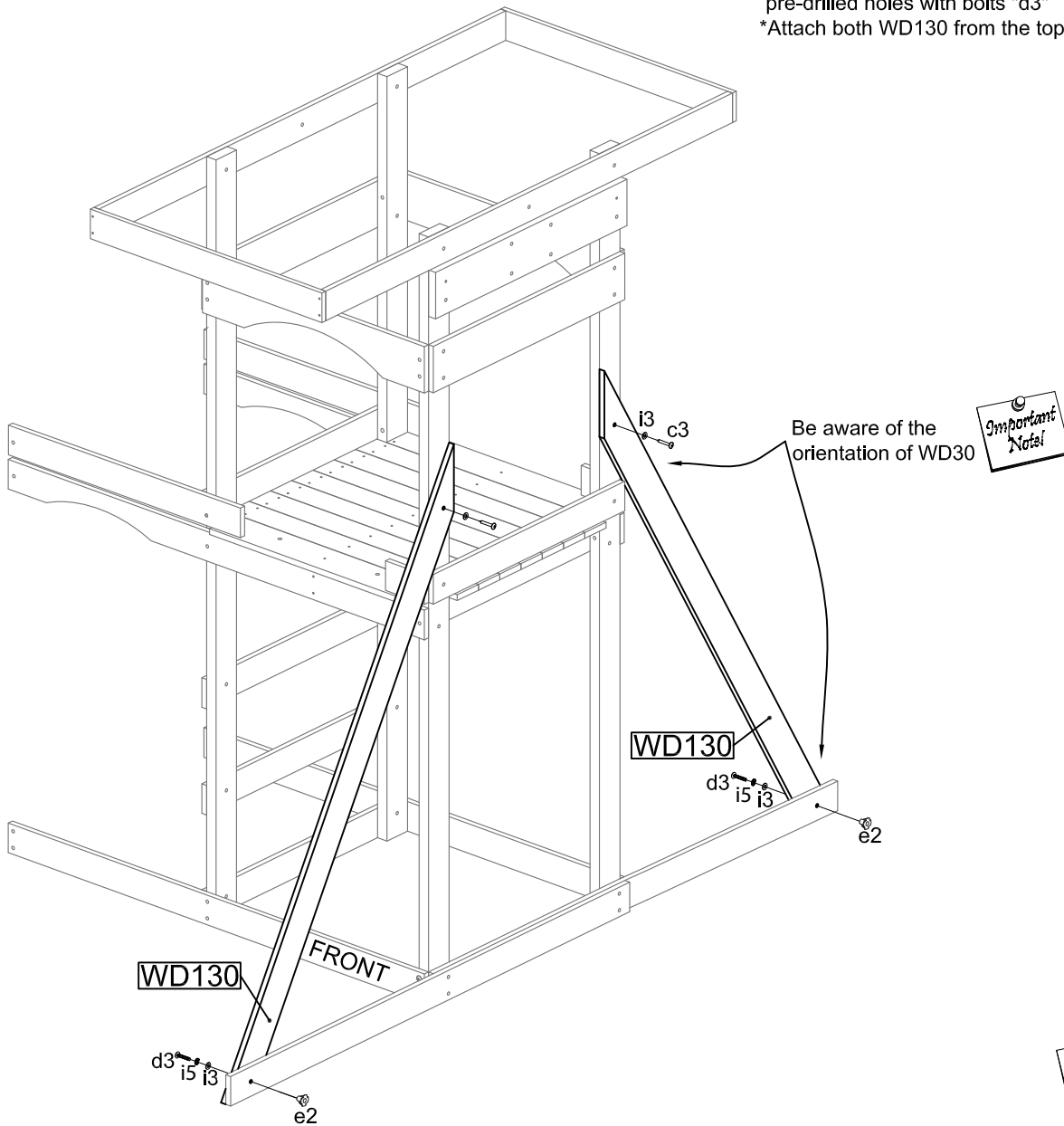
- (2) WD107 - Tower Rail - 11/16 X 3 1/2 X 31 1/2
- (2) WD115 - Wall Rail - 11/16 X 3 1/2 X 5 1/2
- (2) WD3139-11 - Wall Rail - 11/16 X 3 1/2 X 33

HARDWARE NEEDED



FORT BRACING

- *Insert T-nuts as shown
- *Attach both WD130 from the bottom first into the pre-drilled holes with bolts "d3"
- *Attach both WD130 from the top with screws "c3"



Note: It is **IMPORTANT** that the fort be level after this phase!

MAKE SURE FRAME IS SQUARE BEFORE PROCEEDING TO NEXT PHASE!

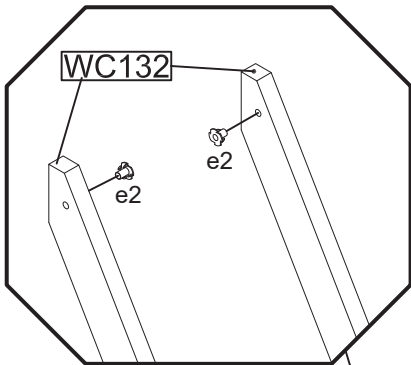
ITEMS NEEDED

(2) WD130 - Angle Brace - 11/16 X 4 X 75

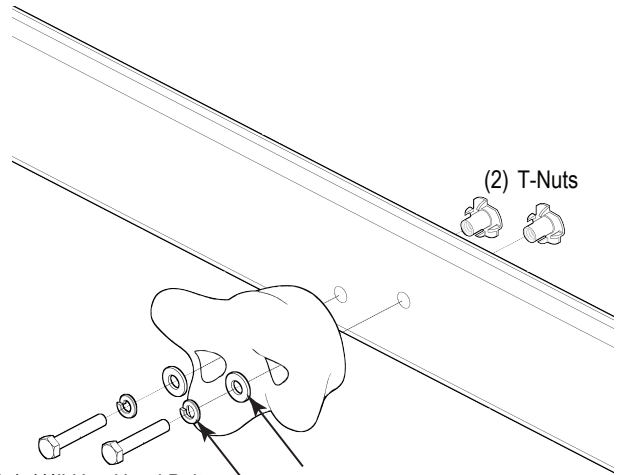
HARDWARE NEEDED

- d3. (2)
- i3. (4)
- e2. (2)
- c3. (2)
- i5. (2)

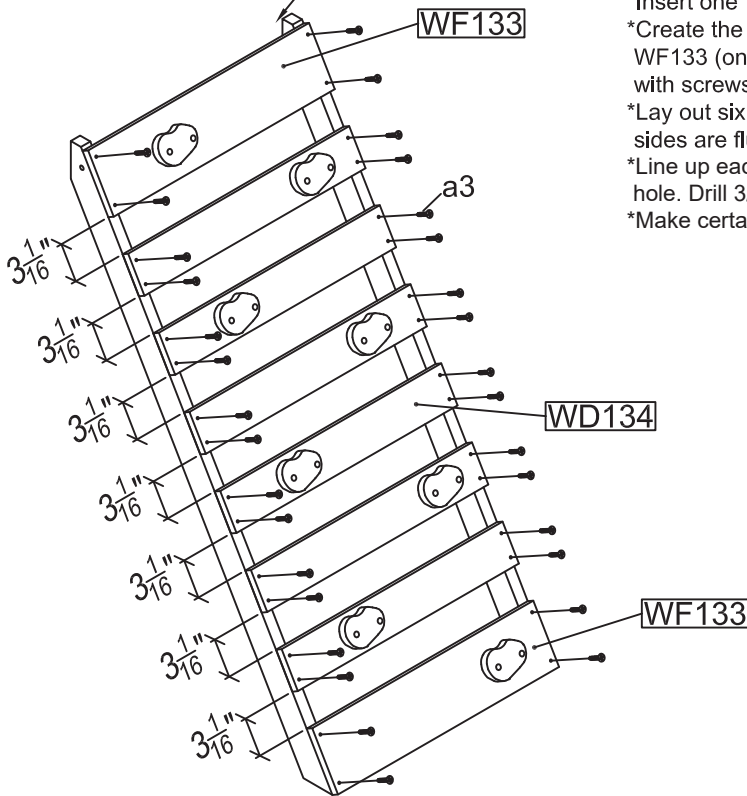
ROCKWALL ASSEMBLY



Important Note! This is the top. Note the orientation.



- (2) 1-1/4" Hex Head Bolts for small rocks
- (2) 1-1/2" Hex Head Bolts for large rocks
- (1) Flat Washer per bolt
- (1) Lock Washer per bolt



- *Insert one T-nut "e2" into each WC132
- *Create the rock wall by attaching both WC132 with both WF133 (one flush on the top and one flush to the bottom) with screws "a3"
- *Lay out six WD134 evenly spaced and make sure both sides are flush before securing with screws "a3"
- *Line up each rock with the one hole & mark the second hole. Drill 3/8" hole at location then mount as shown above.
- *Make certain all hardware is fully secured.

Important Note!

MAKE SURE FRAME IS SQUARE BEFORE PROCEEDING TO NEXT PHASE!

ITEMS NEEDED


- (2) WC132 - Rockwall Rail - 1 X 2 11/16 X 54 1/4
- (2) WF133 - Rockwall Board - 11/16 X 5 1/2 X 23 5/8
- (6) WD134 - Rockwall Board - 11/16 X 3 1/2 X 23 5/8



(2) 4 COUNT BAGS CLIMBING ROCKS
BP011-GYBR

HARDWARE NEEDED

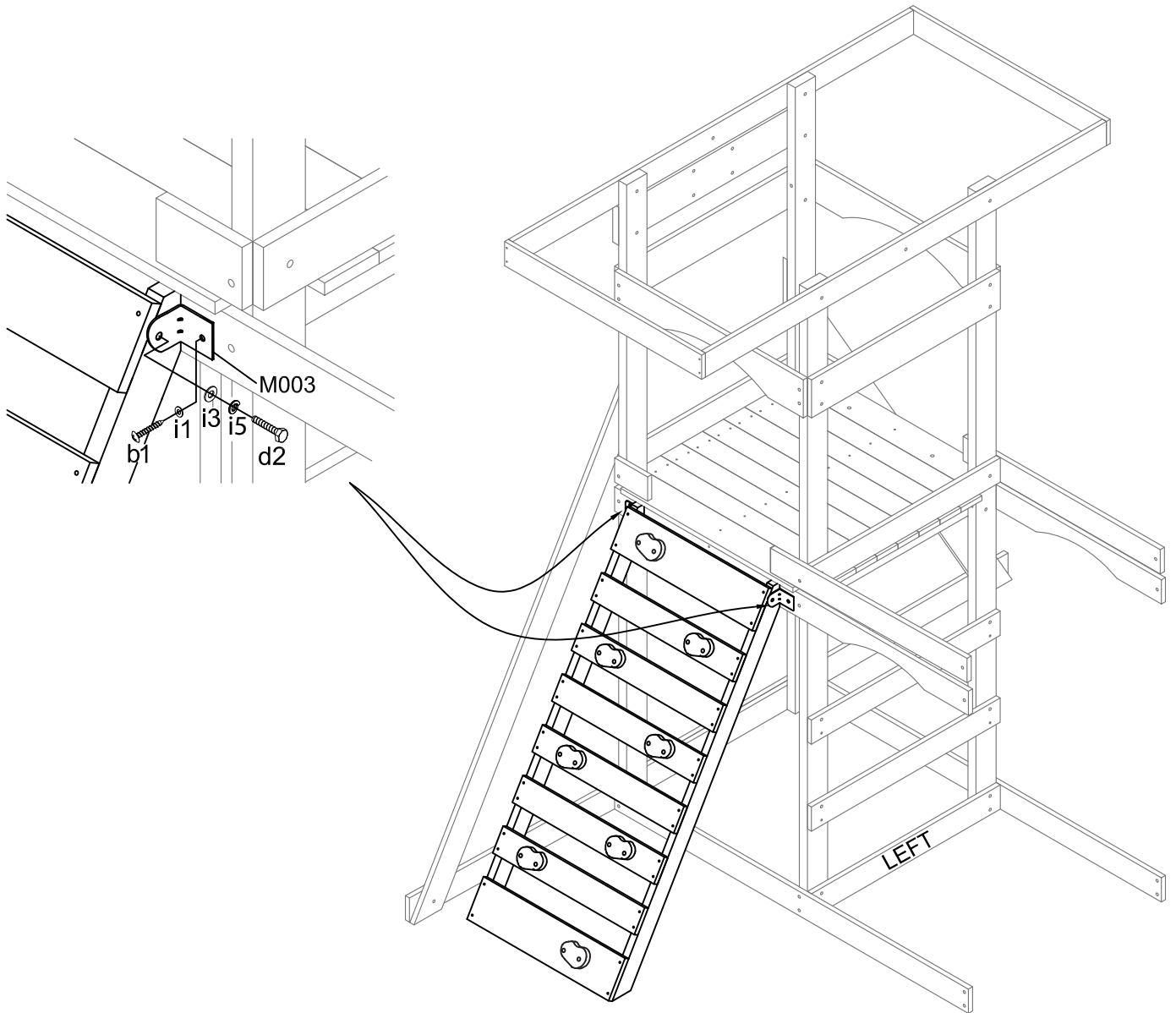
a3. (32) 

e2. (2) 

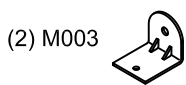
PLEASE REFER TO ACCESSORY PLAN FOR INSTALLATION INSTRUCTIONS AND HARDWARE.

ROCKWALL ASSEMBLY

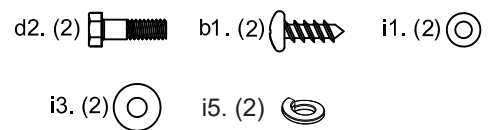
- *Install both L-brackets "M003" into the rock walls pre-drilled holes with bolts "d2"
- *Attach rock wall with installed L-bracket to the playset's back wall with screws "b1"



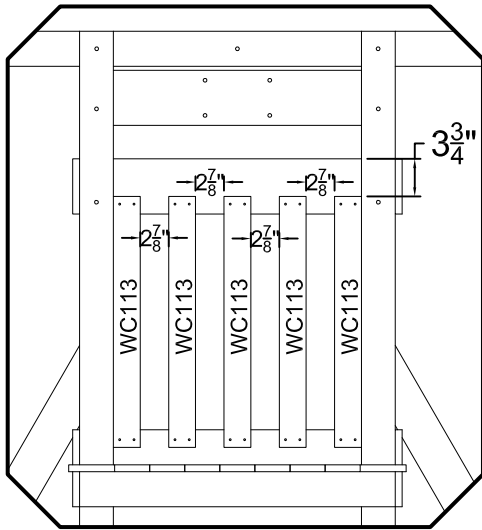
ITEMS NEEDED



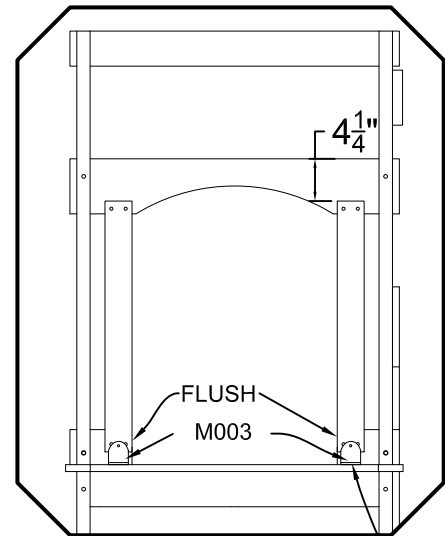
HARDWARE NEEDED



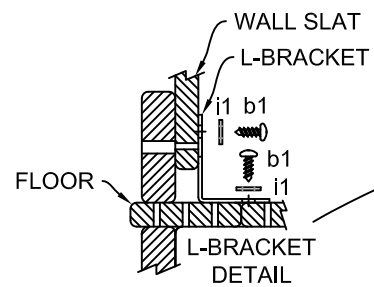
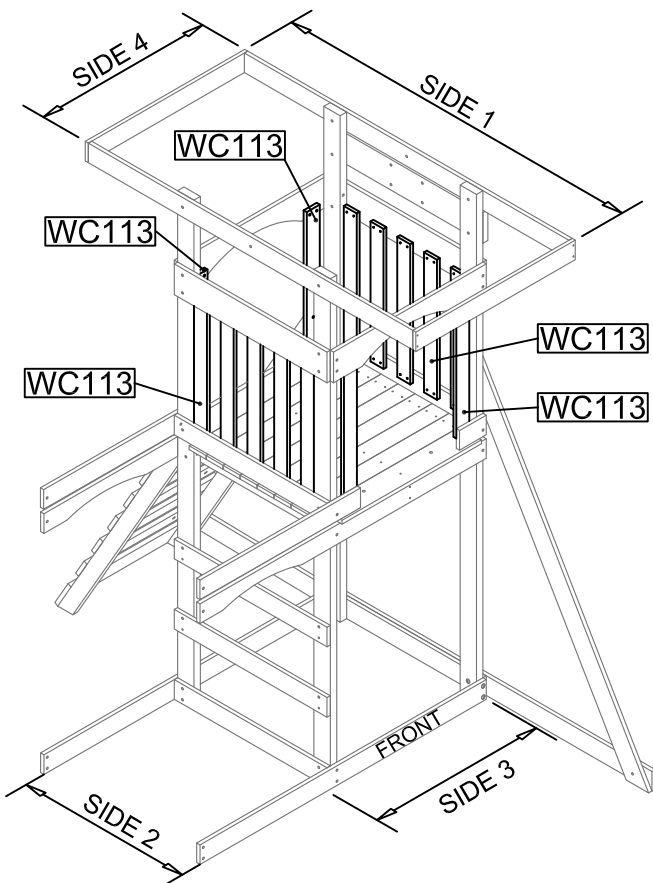
WALL SLATS ASSEMBLY



SIDES 1 & 2
VIEW FROM INSIDE



SIDES 3 & 4
VIEW FROM INSIDE



- *Attach five WC113 on both side 1 and side 2 from inside the deck with screws "a2" (refer to diagram for spacing)
- *Attach two WC113 on side 3 from inside the deck with screws "a2" (refer to diagram for spacing)
- *Attach two WC114 on side 4 from inside the deck with screws "a2"
- *Install four L-brackets "M003" on side 3 and side 4 with screws "b1"

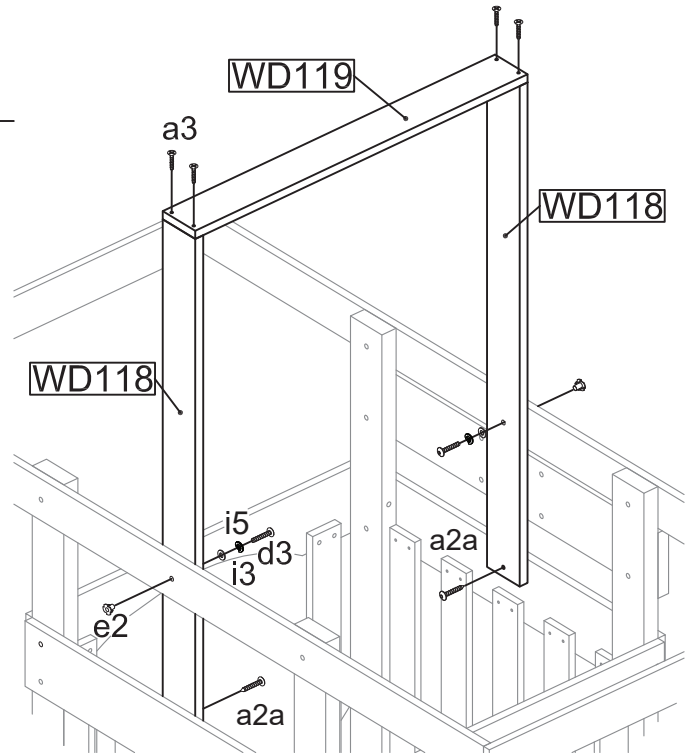
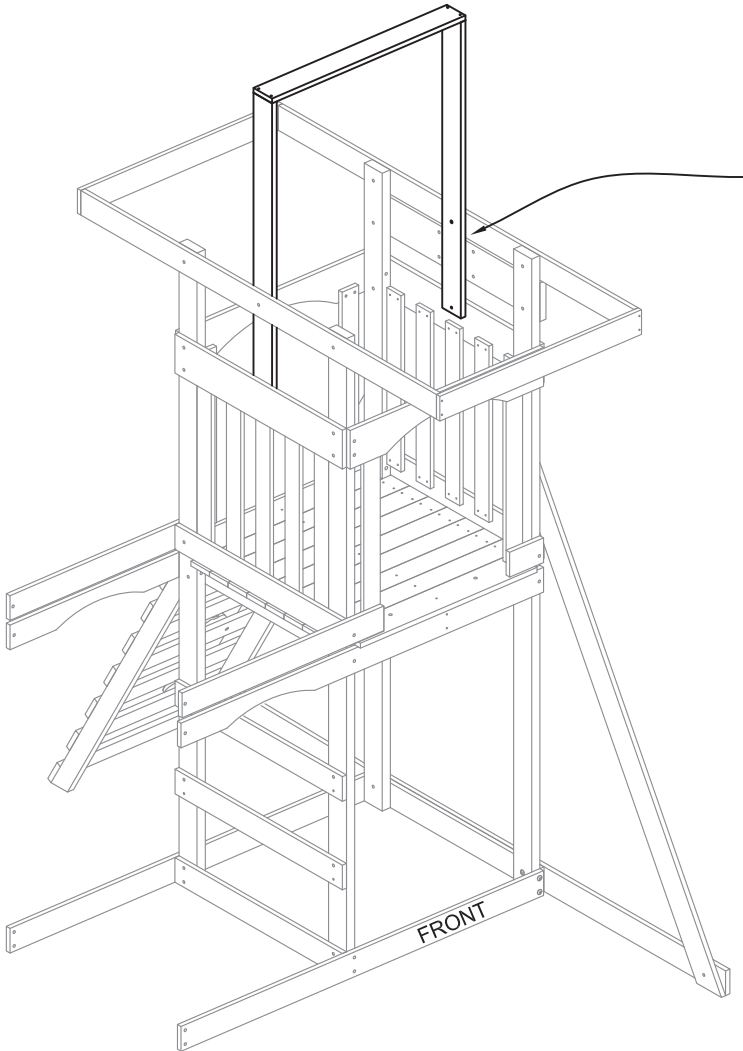
ITEMS NEEDED

- (12) WC113 - Wall Slat -9/16 X 2 11/16 X 25
- (2) WC114 - Wall Slat -11/16 X 2 11/16 X 25
- (4) M003

HARDWARE NEEDED

- a2. (56)
- b1. (8)
- i1. (8)

TARP FRAME ASSEMBLY



- *Create large tarp support by attaching WD119 to both WD118 with screws "a3" to form tarp frame
- *Insert T-nuts as shown
- *Attach large tarp support to tower with bolts "d3" and then secure with screws "a3"

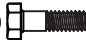





Important Note!

MAKE SURE FRAME IS SQUARE BEFORE PROCEEDING TO NEXT PHASE!

ITEMS NEEDED

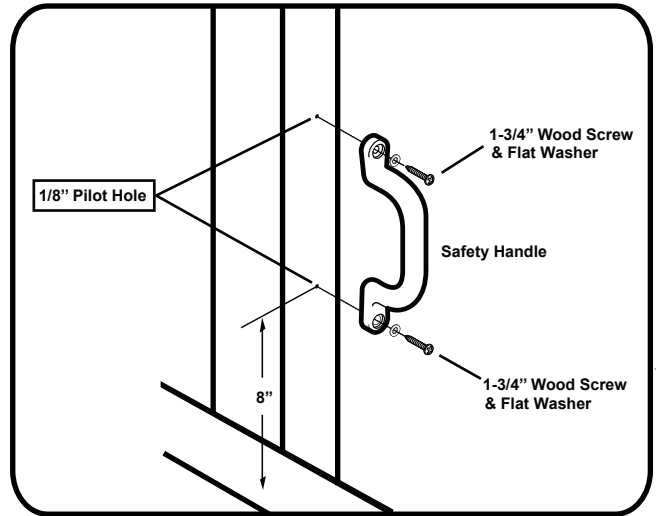
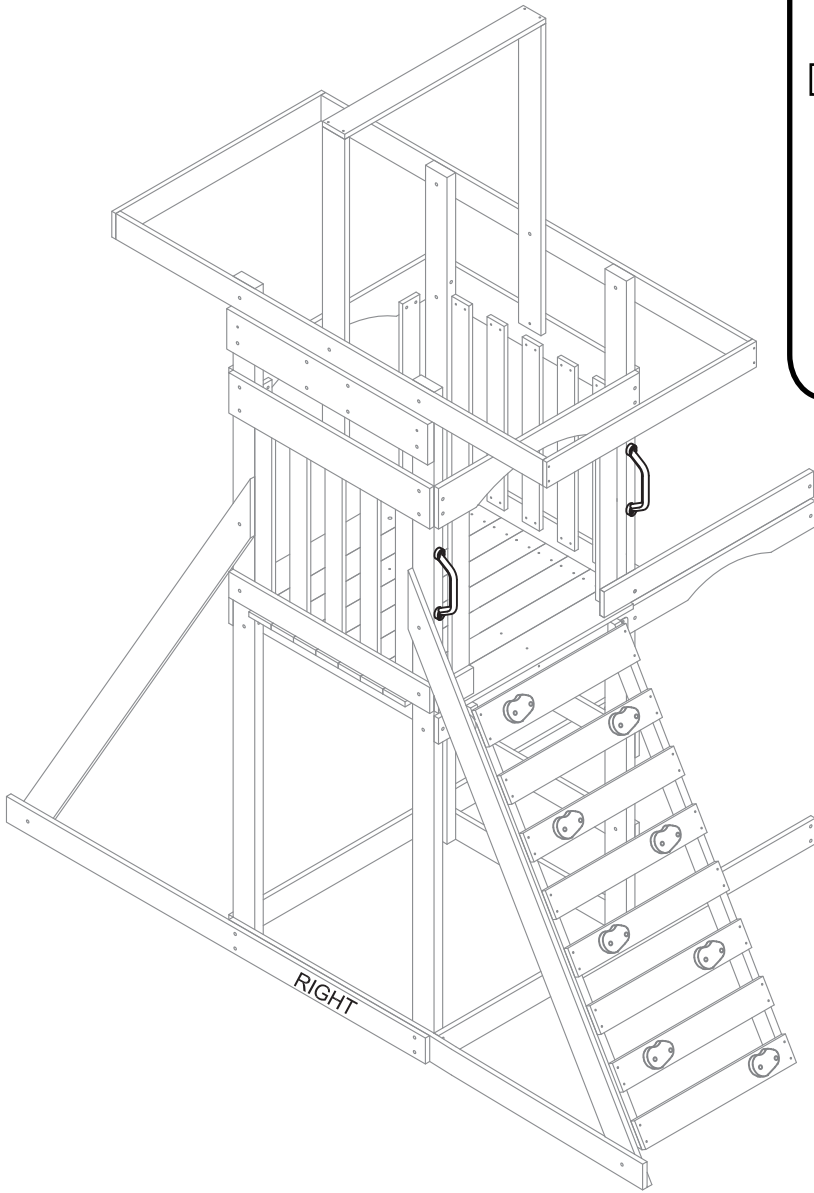
- (2) WD118 - Tarp Upright - 3/4 X 3 1/2 X 42
- (1) WD119 - Tarp Support - 11/16 X 3 1/2 X 31 1/2

HARDWARE NEEDED

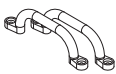
- d3. (2) 
- i3. (2) 
- e2. (2) 
- a3. (4) 
- i5. (2) 
- a2a. (2) 

HAND GRIP ATTACHMENT

*Pre-drill holes with a 1/8" drill bit
*Install all safety handles as shown.



ITEMS NEEDED



(1 - PAIR) Safety Handles BP007-Y

HARDWARE NEEDED

PLEASE REFER TO
ACCESSORY PLAN FOR
INSTALLATION INSTRUCTIONS
AND HARDWARE.

PICNIC AREA ASSEMBLY

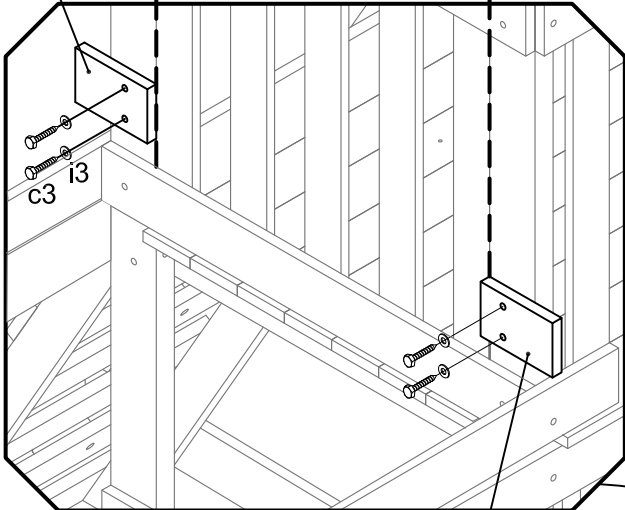
*Attach both WD124 with screws "c3" (refer to diagram for spacing)

*Pre-drill 1/8" Pilot Holes

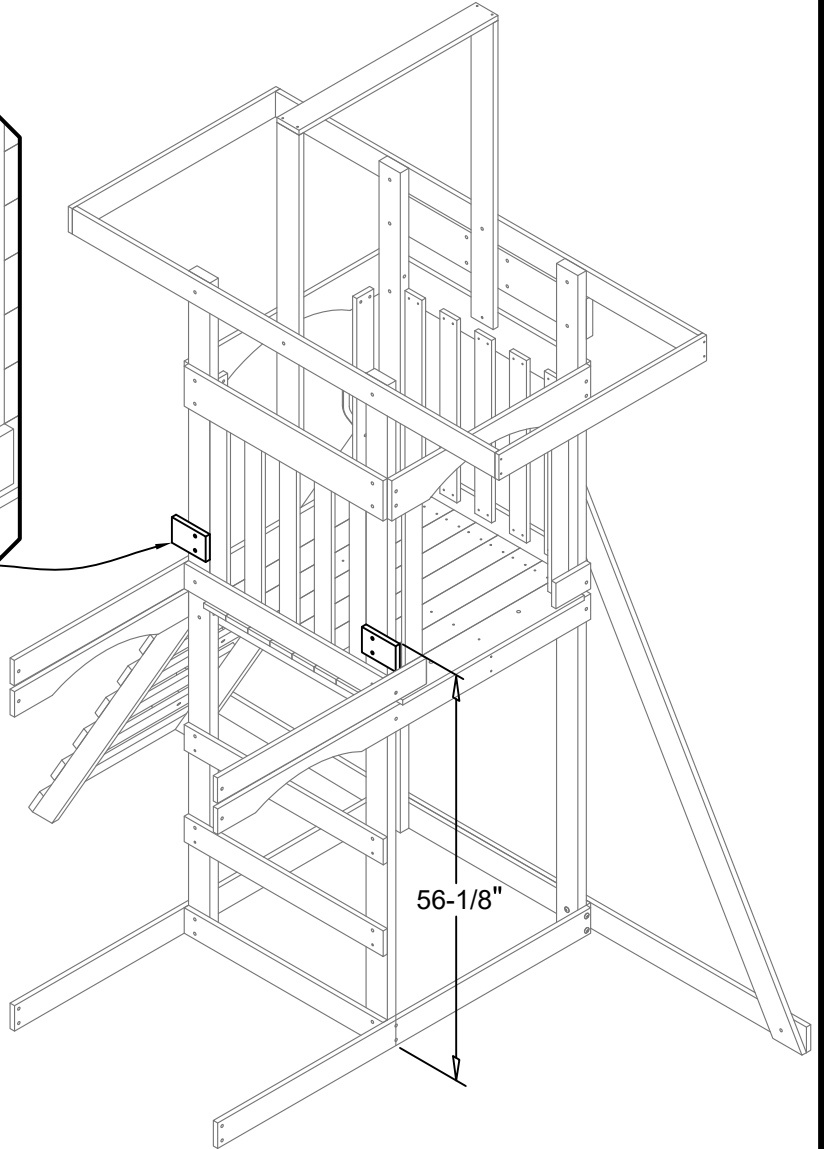
Important Note!

It is flush to the inside edge of the uprights, not to the outer edge.

WD124



WD124



56-1/8"

Important Note!

MAKE SURE FRAME IS SQUARE BEFORE PROCEEDING TO NEXT PHASE!


Note: It is IMPORTANT that the fort be level after this phase!

ITEMS NEEDED

(2) WD124 - Cross Brace - 11/16 X 3 1/2 X 5 3/8

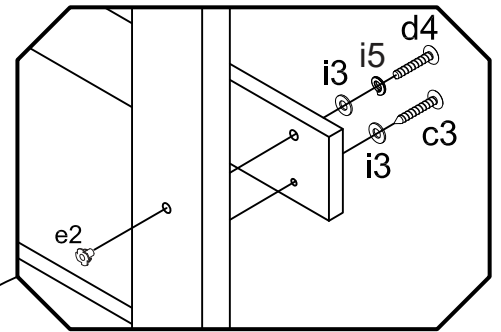
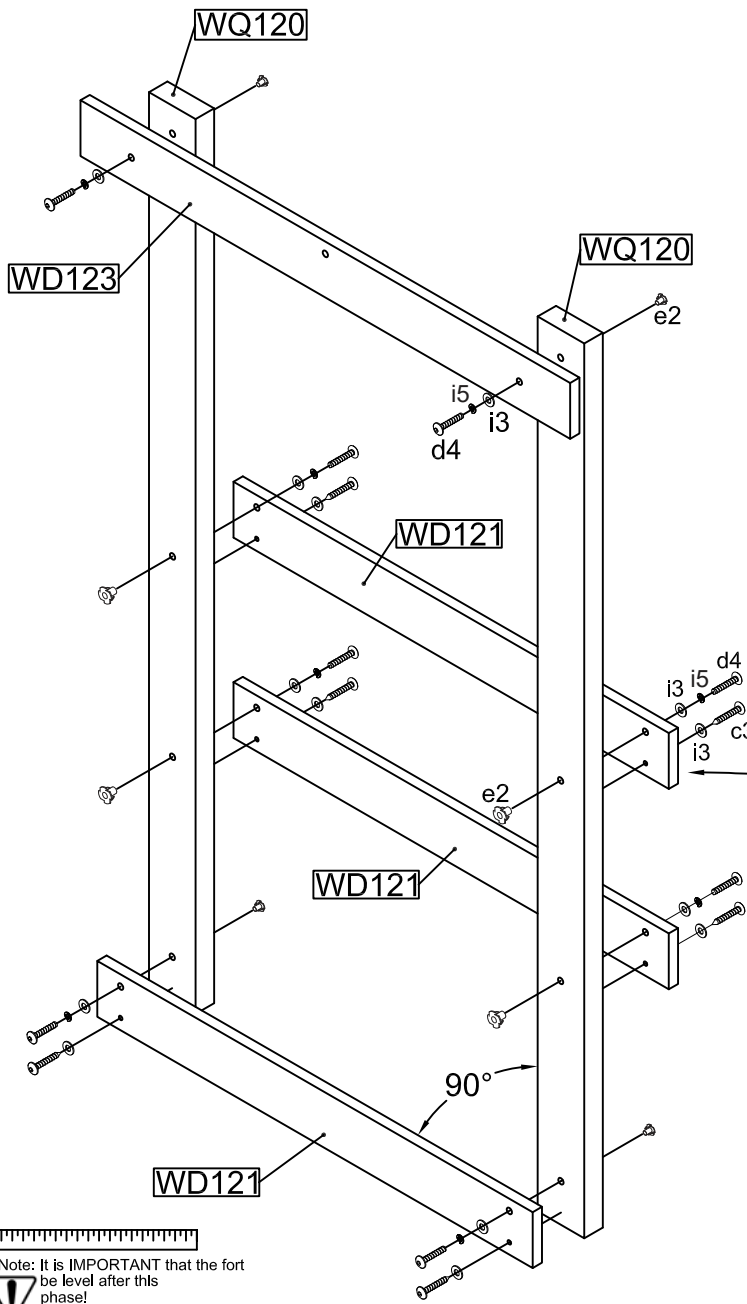
HARDWARE NEEDED

c3. (4) 

i3. (4) 

PICNIC AREA ASSEMBLY

- *Lay out both WQ120
- *Attach the WD121 on the bottom with bolts "d4" and then secure with screws "c3"
- *Attach WD123 on top with bolts "d4"
- *Turn the wall over and attach the remaining two WD121 with bolts "d4" and then secure with screws "c3"



Important Note!

Two WD121 slats are being attached on opposite side of WD123 and the last WD121

Important Note!

MAKE SURE FRAME IS SQUARE BEFORE PROCEEDING TO NEXT PHASE!

Note: It is IMPORTANT that the fort be level after this phase!

ITEMS NEEDED

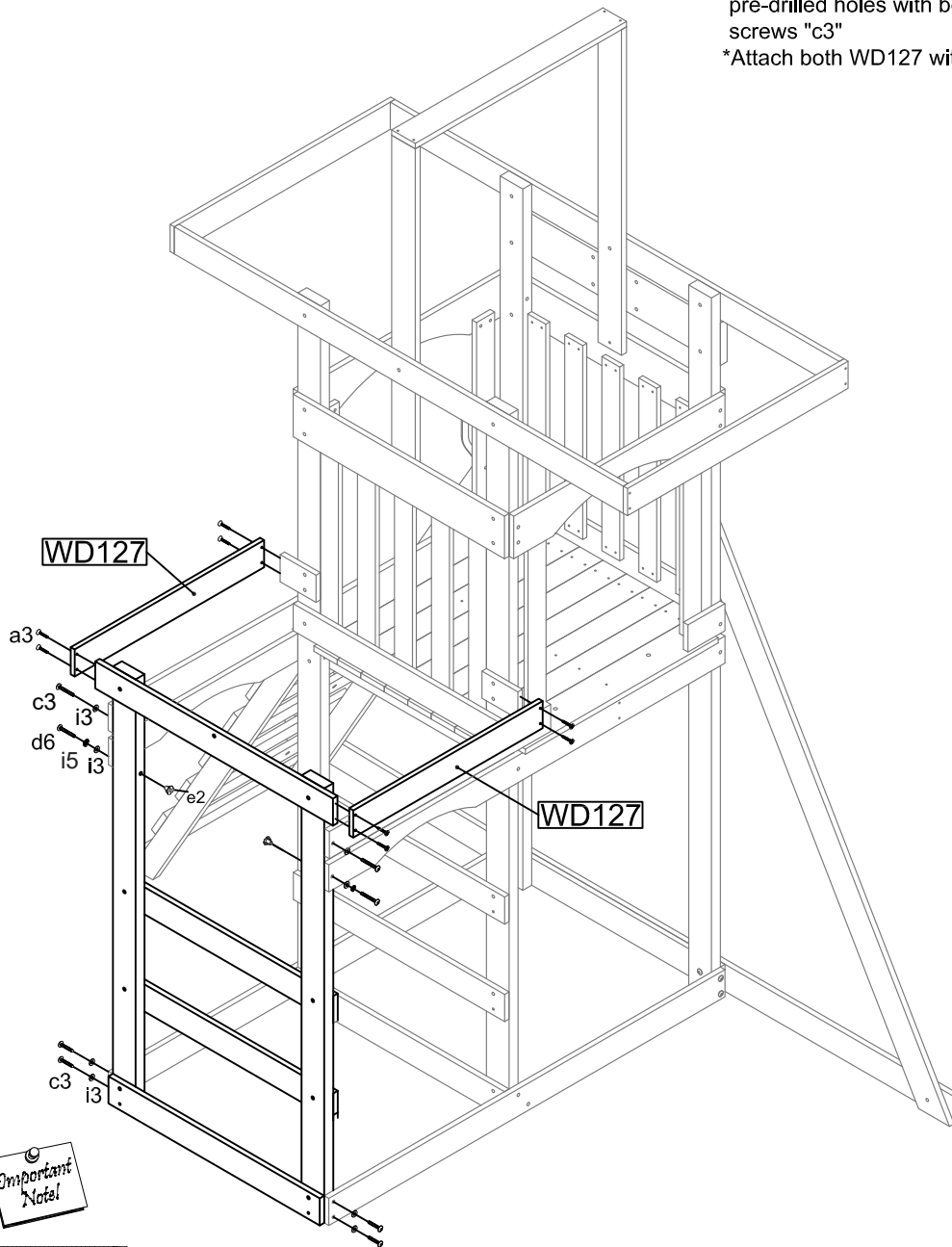
- (2) WQ120 - Short Upright - 1 5/16 X 3 3/8 X 56 1/8
- (3) WD121 - Tower Rail - 11/16 X 3 1/2 X 31 1/2
- (1) WD123 - Cross Brace - 11/16 X 3 1/2 X 35 3/8

HARDWARE NEEDED

- d4. (8)
- i3. (14)
- e2. (8)
- c3. (6)
- i5. (8)

PICNIC AREA ASSEMBLY

- *Stand up wall from phase 13
- *Attach pre-assembled wall from phase 13 to the playset's pre-drilled holes with bolts "d6" and then secure with screws "c3"
- *Attach both WD127 with screws "a3"



Important Note!


MAKE SURE FRAME IS SQUARE BEFORE PROCEEDING TO NEXT PHASE!


Note: It is IMPORTANT that the fort be level after this phase!


ITEMS NEEDED

(2) WD127 - Tarp End Cap - 5/8 X 3 1/2 X 28 1/4

HARDWARE NEEDED


d6.(2) 

i3. (6) 

e2.(2) 

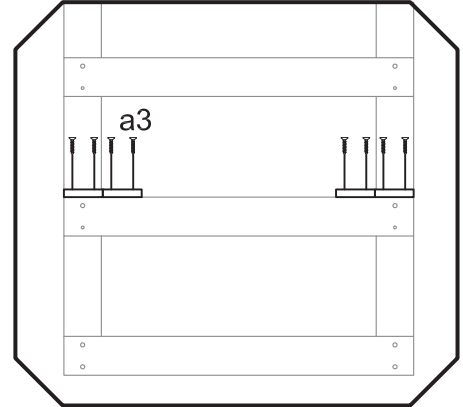
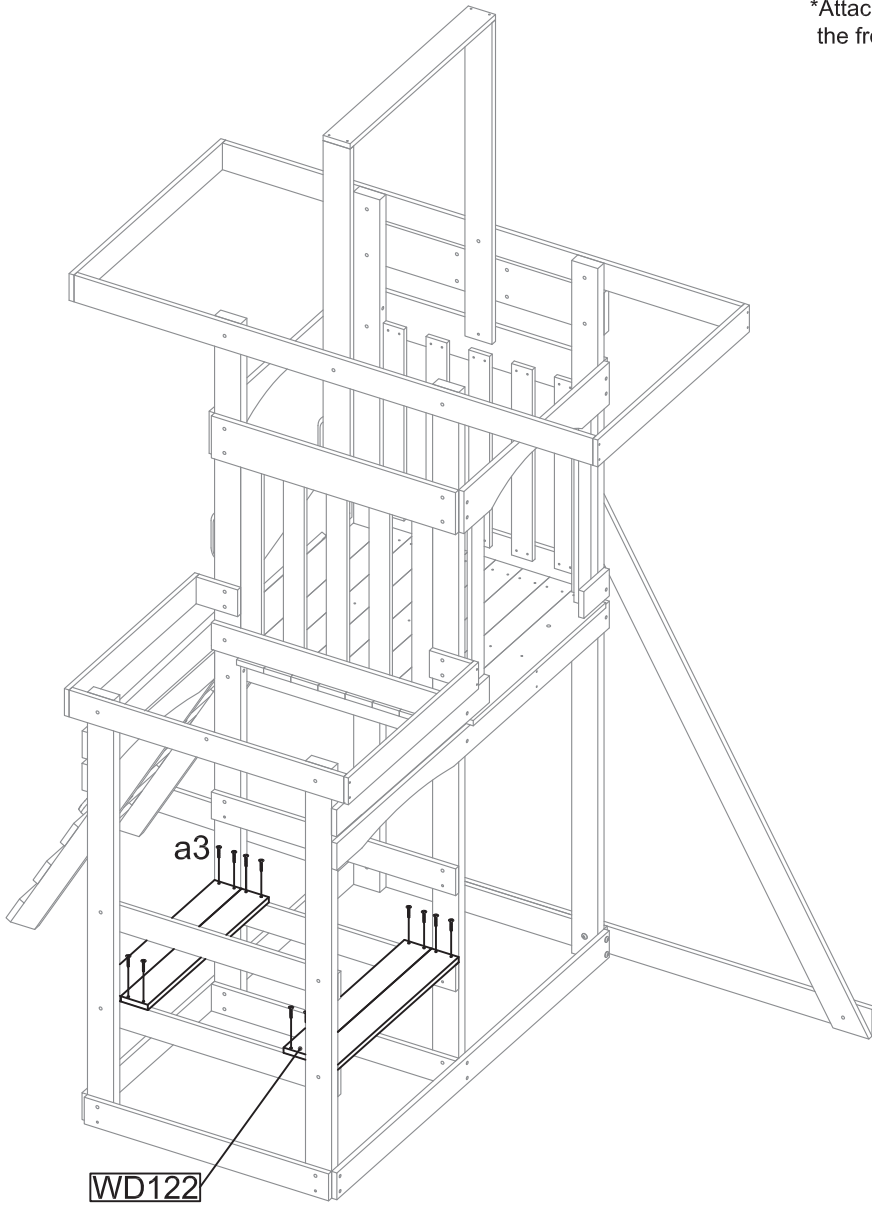
c3.(6) 

a3. (8) 

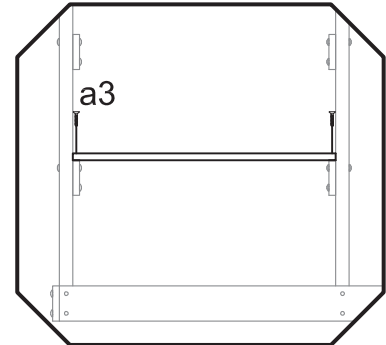
i5. (2) 

PICNIC TABLE ASSEMBLY

*Attach two WD122 side by side to create the picnic bench in the back with screws "a3"
 *Attach two WD122 side by side to create the picnic bench in the front with screws "a3"



view from the side



view from the front

ITEMS NEEDED

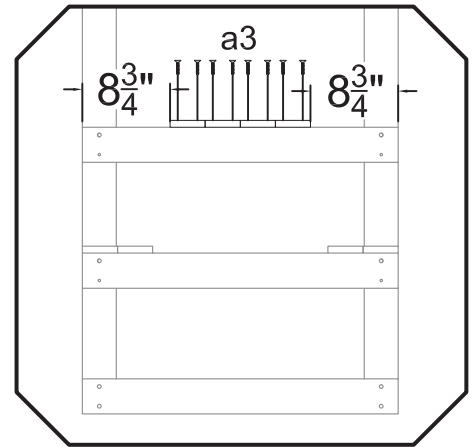
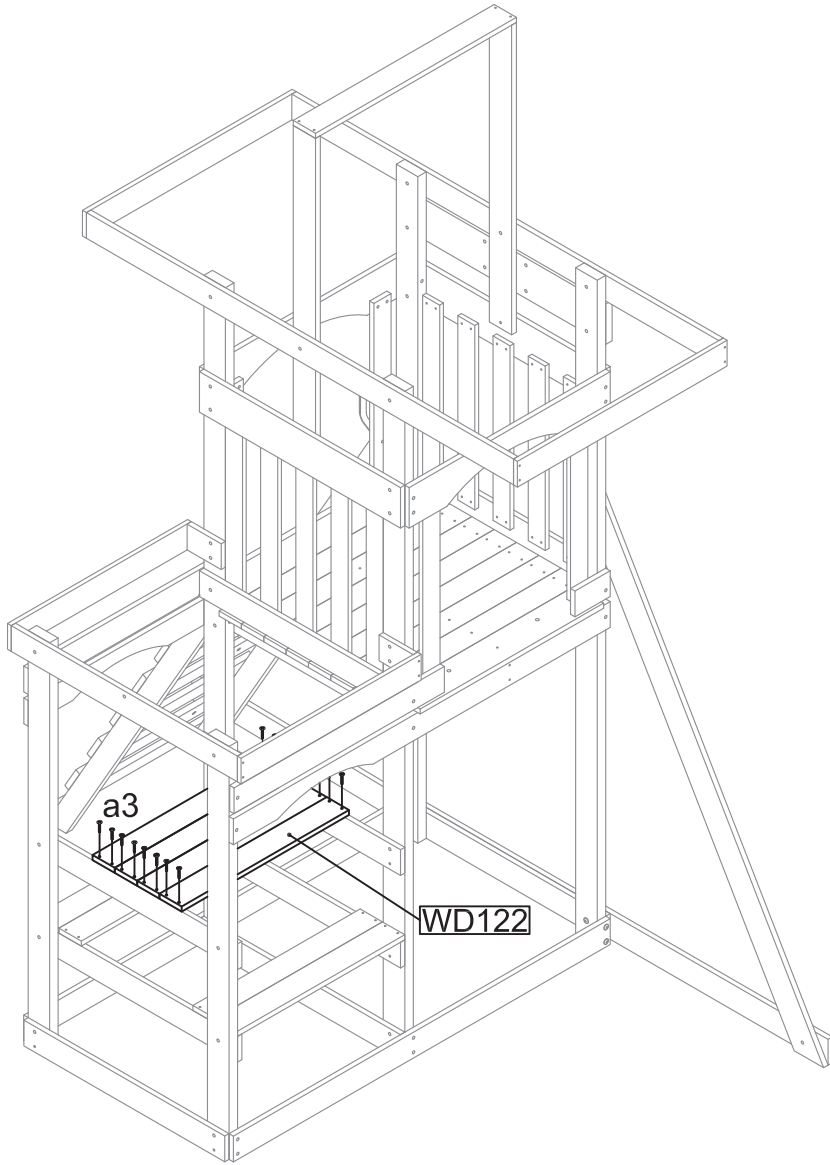
(4) WD122 - Picnic Table Board - 11/16 X 3 1/2 X 26 1/4

HARDWARE NEEDED

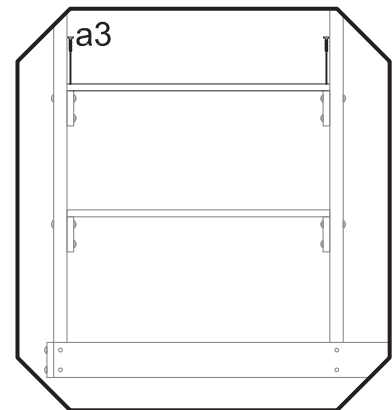
a3. (16) 

PICNIC TABLE ASSEMBLY

*Attach four WD122 in the center to create the picnic table with screws "a3"



view from the side



view from the front

ITEMS NEEDED

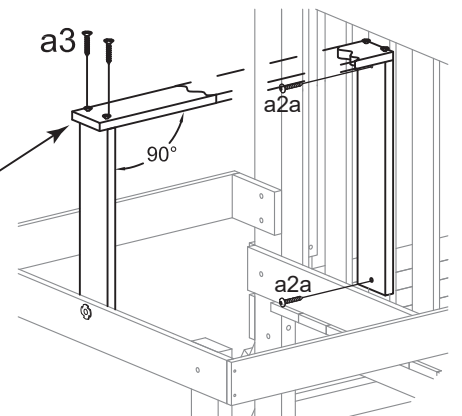
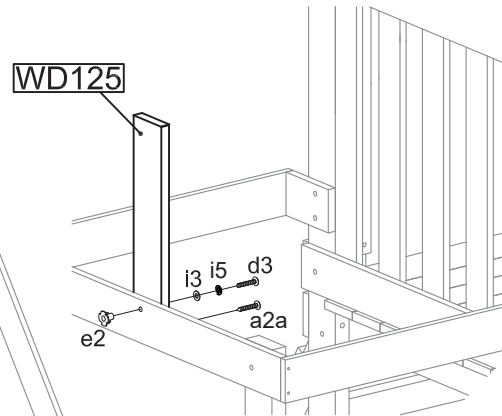
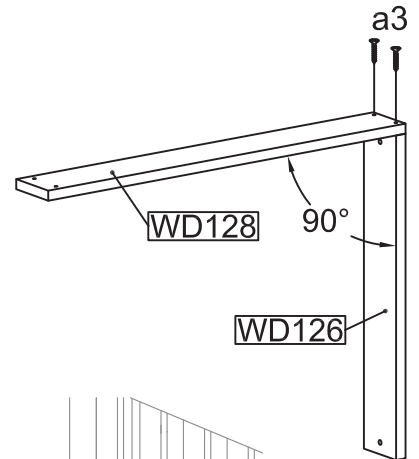
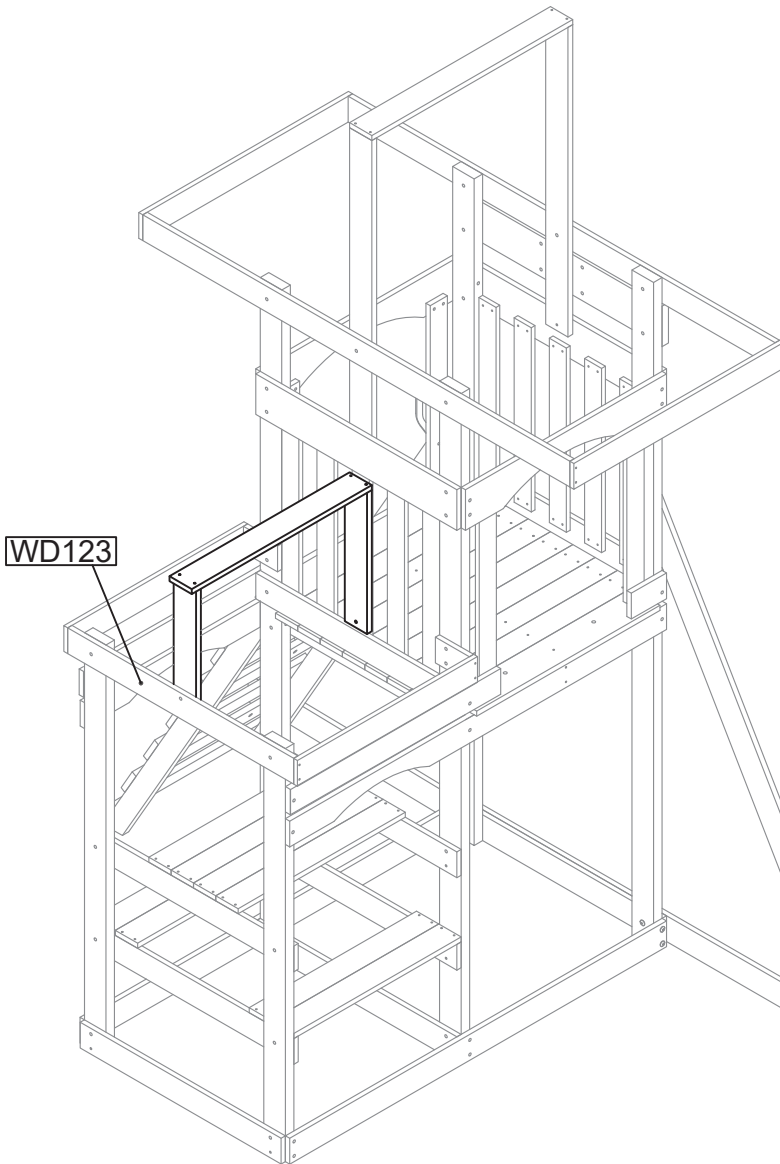
(4) WD122 - Picnic Table Board - 11/16 X 3 1/2 X 26 1/4

HARDWARE NEEDED

a3. (16) 

TARP FRAME ASSEMBLY

- *Create the small tarp support frame by attaching WD128 and WD126 with screws "a3".
- *Insert T-Nut as shown.
- *Attach WD125 to WD123 as shown with screw "a2a" and hex head bolt "d3".
- *Attach the pre-assembled frame to WD125 with screws "a3" and screws "a2a".
- * Note: WD128 will overhang WD125 by 5/8".



Note: WD 128 will overhang WD125 by 5/8"







Important Note!

MAKE SURE FRAME IS SQUARE BEFORE PROCEEDING TO NEXT PHASE!

ITEMS NEEDED

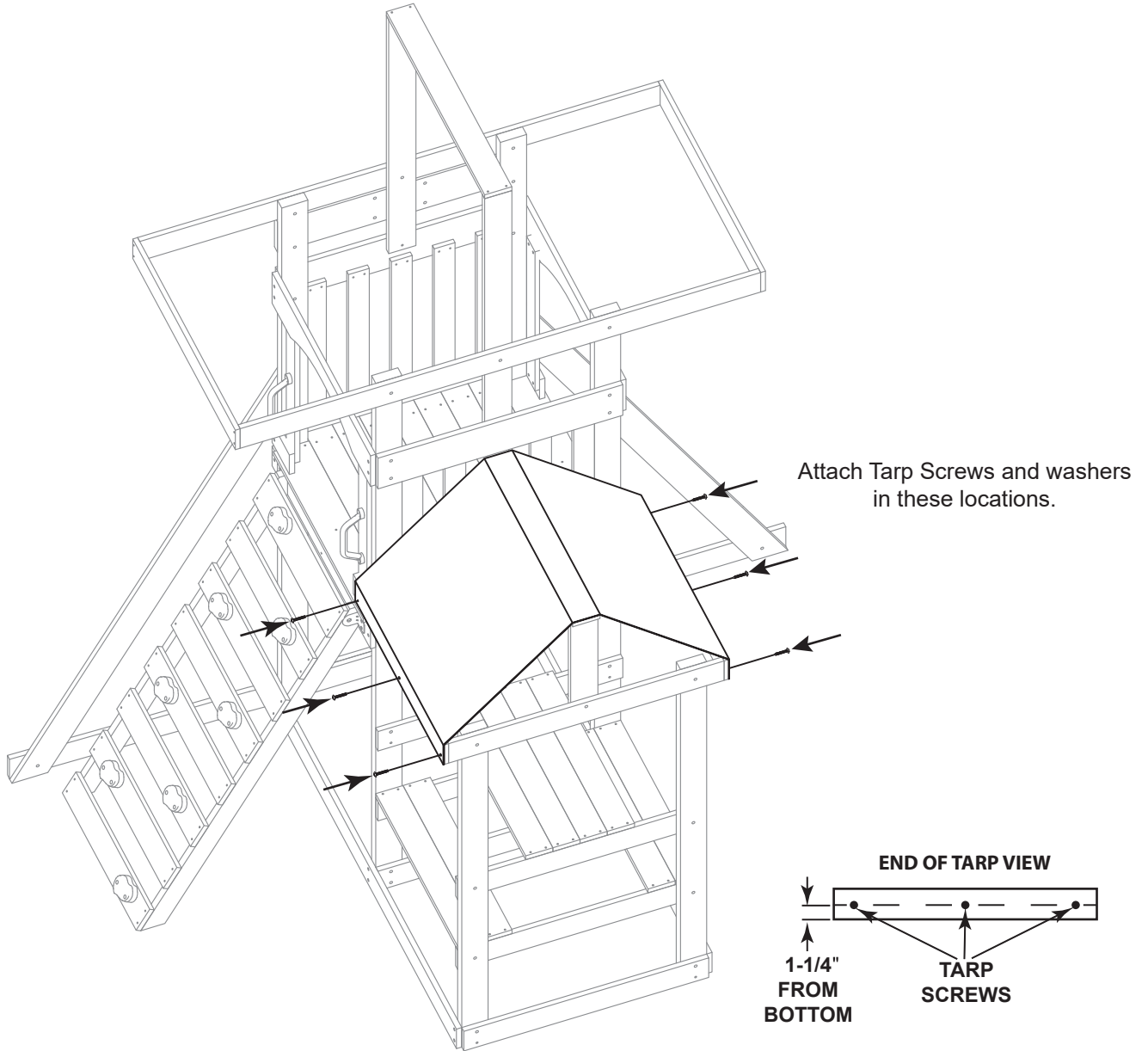
- (1) WD125 - Tarp Upright - 3/4 X 3 1/2 X 17 7/8
- (1) WD126 - Tarp Upright - 3/4 X 3 1/2 X 19 5/8
- (1) WD128 - Tarp Support - 11/16 X 3 1/2 X 28 1/4

HARDWARE NEEDED

- | | | |
|---|---|--|
| d3. (1)  | a3. (7)  | a2a. (7)  |
| e2. (1)  | i3. (1)  | i5. (1)  |

TARP ATTACHMENT

- * Lay the small tarp over the small tarp support.
- * Make sure the tarp is centered and pulled taut before securing with screws and washers on the outside of the brace.



ITEMS NEEDED



(1) SMALL FORT TARP (GREEN) - PT016

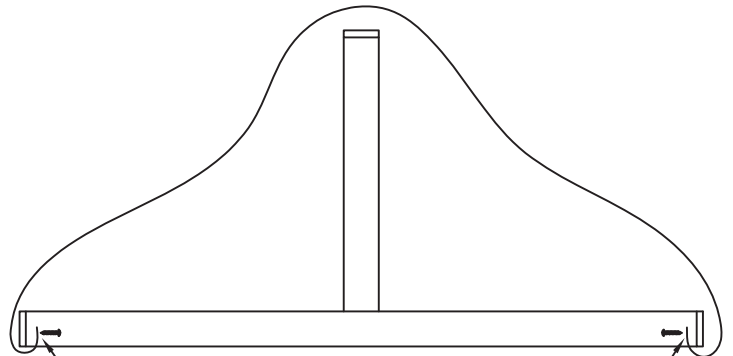
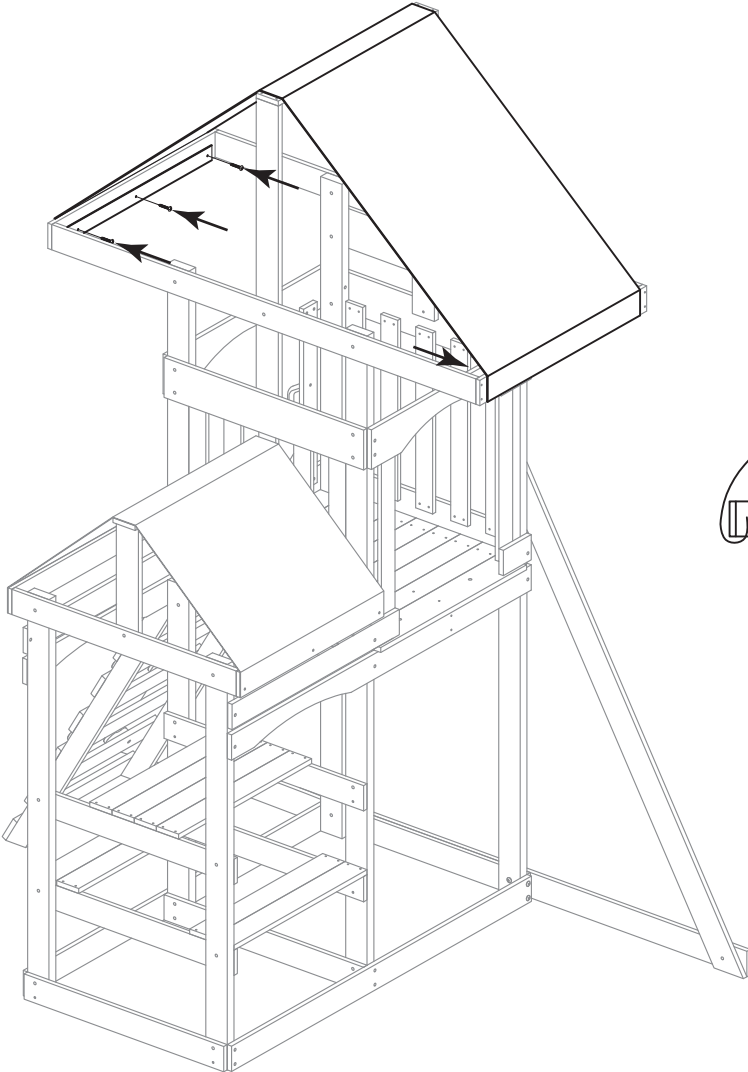
HARDWARE NEEDED

PLEASE REFER TO THE HARDWARE INCLUDED WITH YOUR TARP.

TARP ATTACHMENT

- * Lay the large tarp over the large tarp support.
- * Make sure the tarp is centered and pulled taut before securing with screws and washers on the outside of the brace.

Attach Tarp Screws and washers
in these locations.



5/8" tapping screw
& washers
3 total (each side)

ITEMS NEEDED

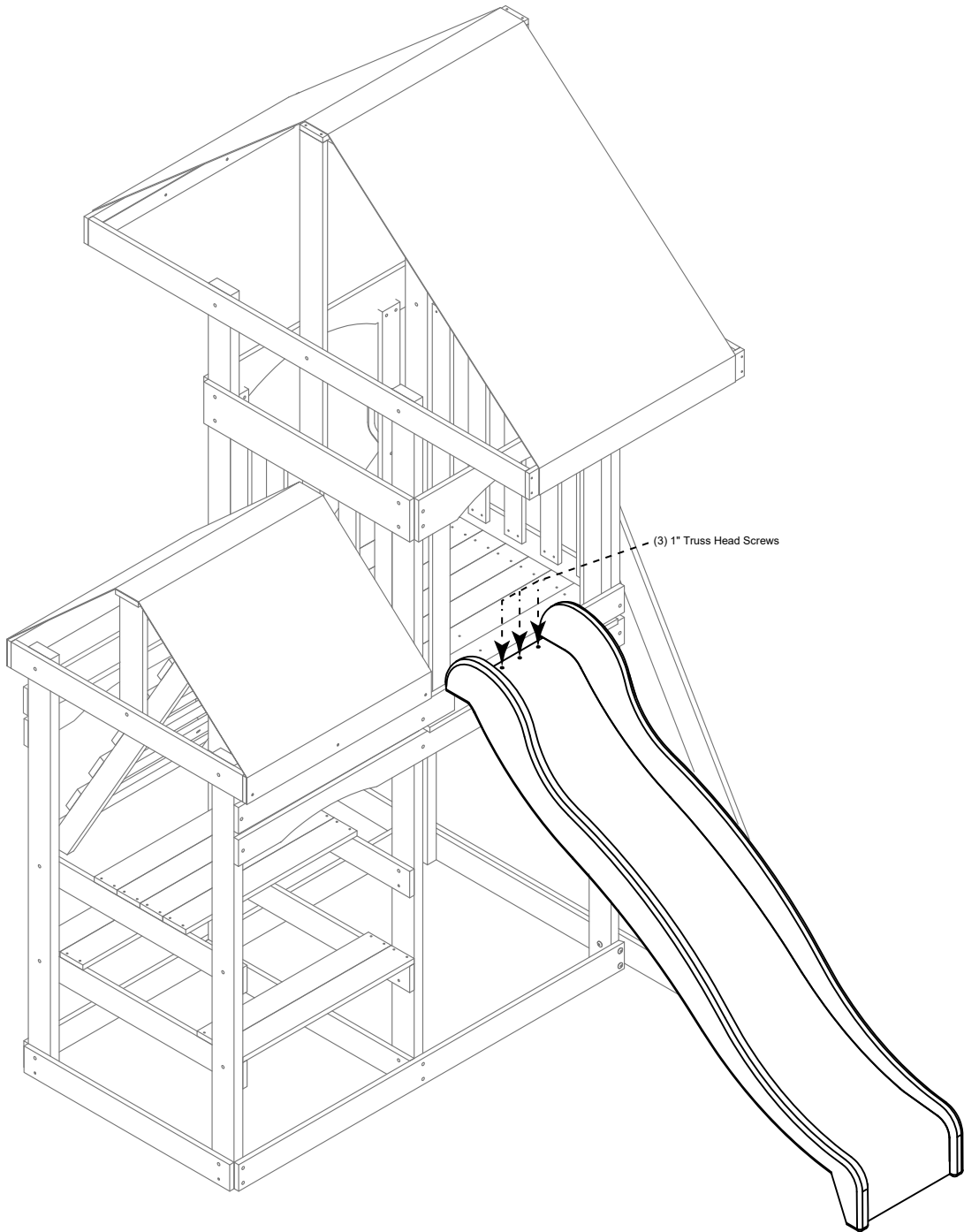


(1) SMALL FORT TARP (GREEN) - PT015

HARDWARE NEEDED

PLEASE REFER TO THE HARDWARE
INCLUDED WITH YOUR TARP.

SLIDE ATTACHMENT

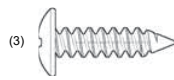


ITEMS NEEDED



(1) 8' WAVE SLIDE (GREEN)

HARDWARE NEEDED

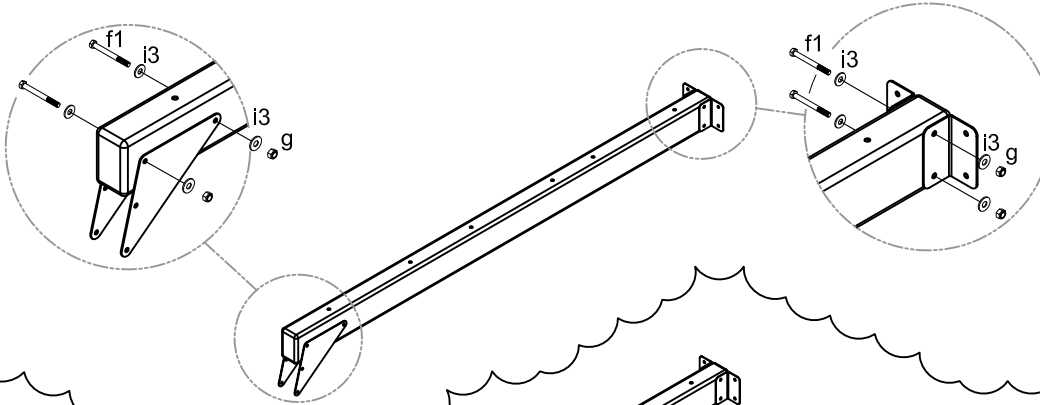


(3) 1" Truss Head Screws

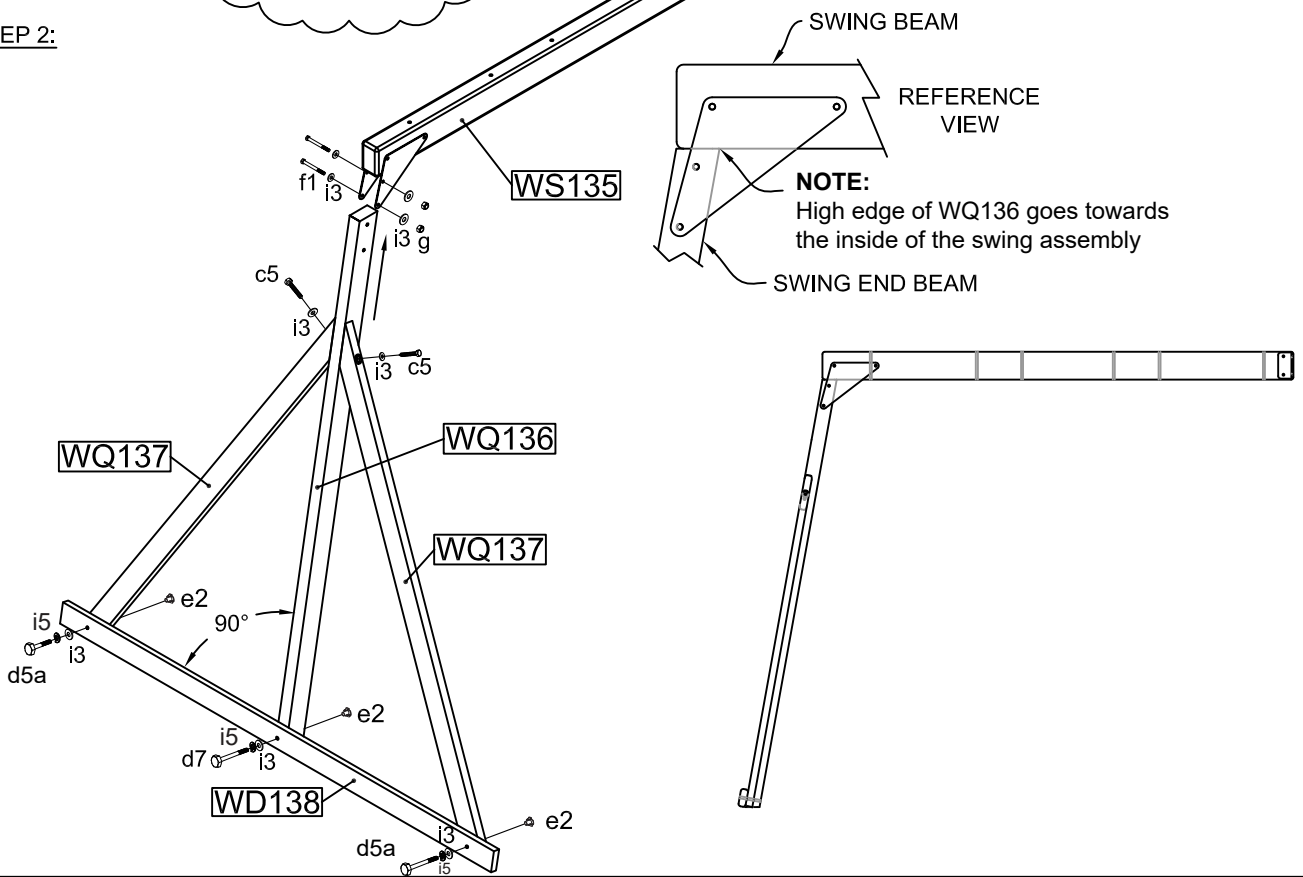
SWING BEAM ASSEMBLY

- *Prepare swing beam WS135 by mounting two triangle plates "M105" and two angle brackets "M005" with bolts "f1"
- *Insert T-nuts as shown in both WQ137 and WQ136
- *Create swing beam leg with both WQ137, WQ136 and WD138 through the pre-drilled holes with bolts "d5a", "d7" respectively and screws "c5"
- *Attach the swing beam WS135 to the prepared swing beam leg

STEP 1:



STEP 2:



ITEMS NEEDED

- (1) WS135 - Swing Beam Top Beam - 1 15/16 X 5 1/4 X 89 1/2
- (1) WQ136 - Swing Beam Leg - 1 15/16 X 3 3/8 X 82 1/2
- (2) WQ137 - Swing Beam Leg - 1 5/16 X 3 1/4 X 76 3/8
- (1) WD138 - Swing Beam Ground Beam - 1 X 3 1/4 X 83 5/16



(2) 100° TRIANGLE PLATE - M100



(2) GREEN ANGLE BRACKET (5") - M005

HARDWARE NEEDED

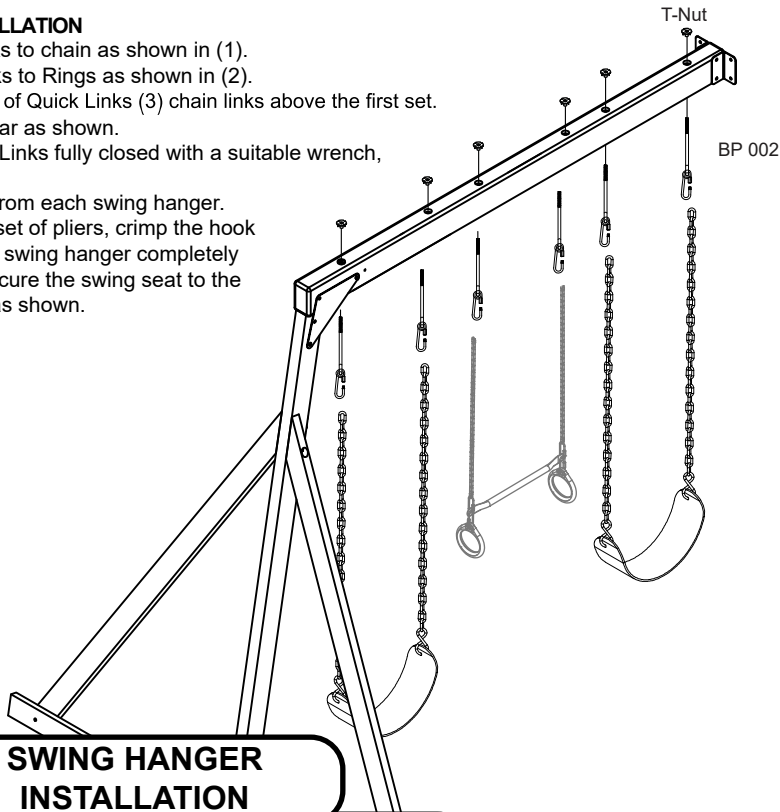
- d7. (1)
- e2. (3)
- i3. (17)
- c5. (2)
- d5a. (2)
- g. (6)
- f1. (6)
- i5. (3)

SWING BEAM ASSEMBLY

- STEP 1:** Follow Swing Hanger install.
STEP 2: Follow Swing Seat install.
STEP 3: Follow Ring-Trap install.

RING-TRAP INSTALLATION

- * Attach Quick Links to chain as shown in (1).
- * Attach Quick Links to Rings as shown in (2).
- * Attach second set of Quick Links (3) chain links above the first set.
- * Attach Trapeze Bar as shown.
- * Tighten all Quick Links fully closed with a suitable wrench, as shown.
- * Hang one chain from each swing hanger.
- * Using a suitable set of pliers, crimp the hook opening on each swing hanger completely closed to fully secure the swing seat to the swing hangers, as shown.



SWING SEAT INSTALLATION

Fig. 1

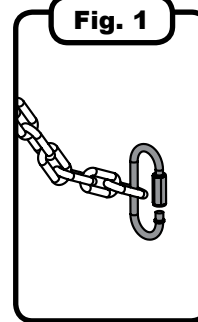


Fig. 2

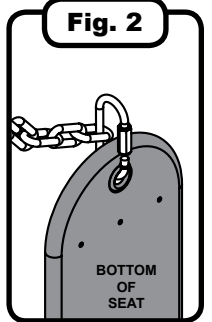


Fig. 3

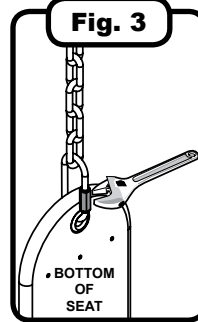
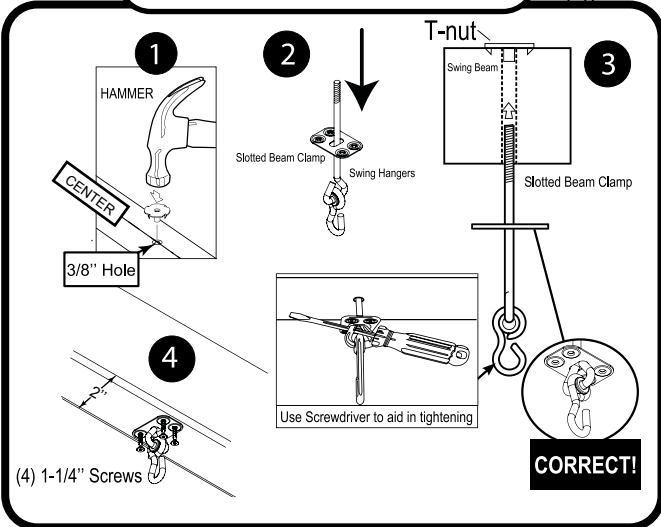


Fig. 4

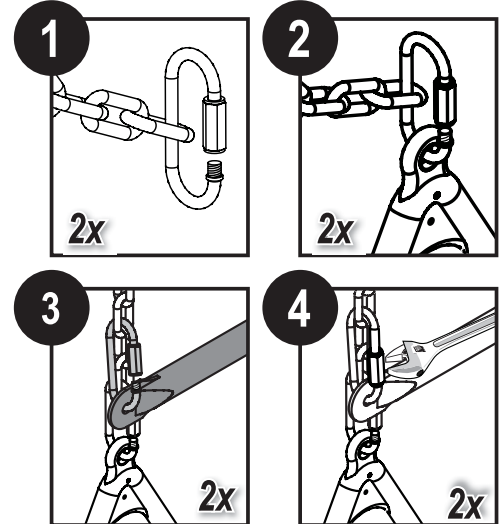


WARNING:
 Make certain Swing Hanger is crimped completely closed.

SWING HANGER INSTALLATION



RING-TRAP INSTALLATION



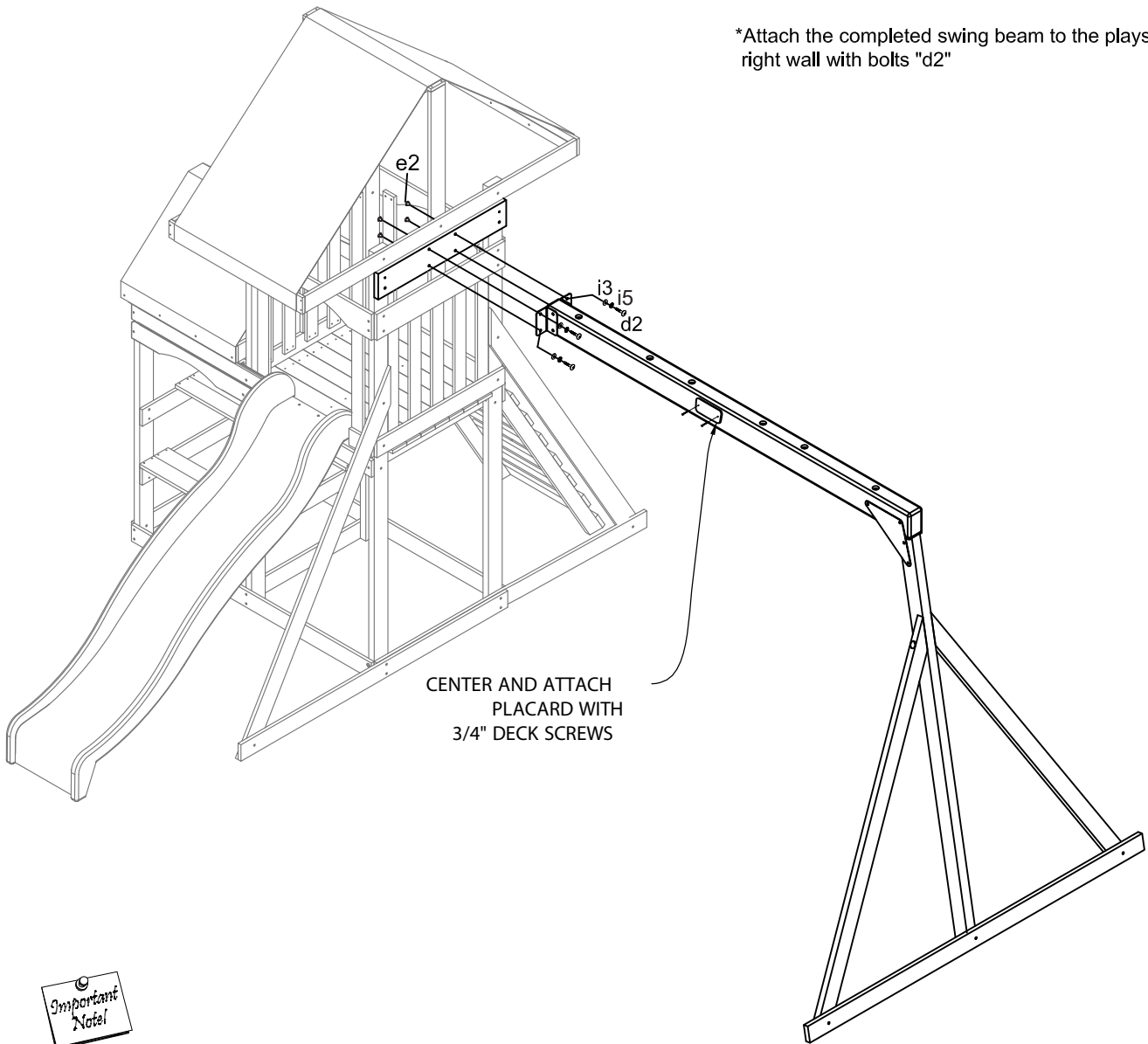
ITEMS NEEDED

HARDWARE NEEDED

PLEASE REFER TO THE SWING HANGER, SWING SEAT, AND RING TRAP COMBO ACCESSORY PLANS FOR INSTALLATION INSTRUCTIONS AND HARDWARE.

SWING BEAM ATTACHMENT

*Attach the completed swing beam to the playset's right wall with bolts "d2"



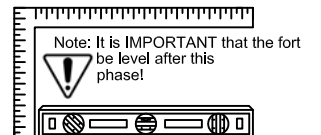
CENTER AND ATTACH
PLACARD WITH
3/4" DECK SCREWS



MAKE SURE FRAME IS
SQUARE BEFORE
PROCEEDING TO
NEXT PHASE!



Accessories not
Shown for clarity



HARDWARE NEEDED



(1) NAME PLATE
w/ HARDWARE

d2. (4)

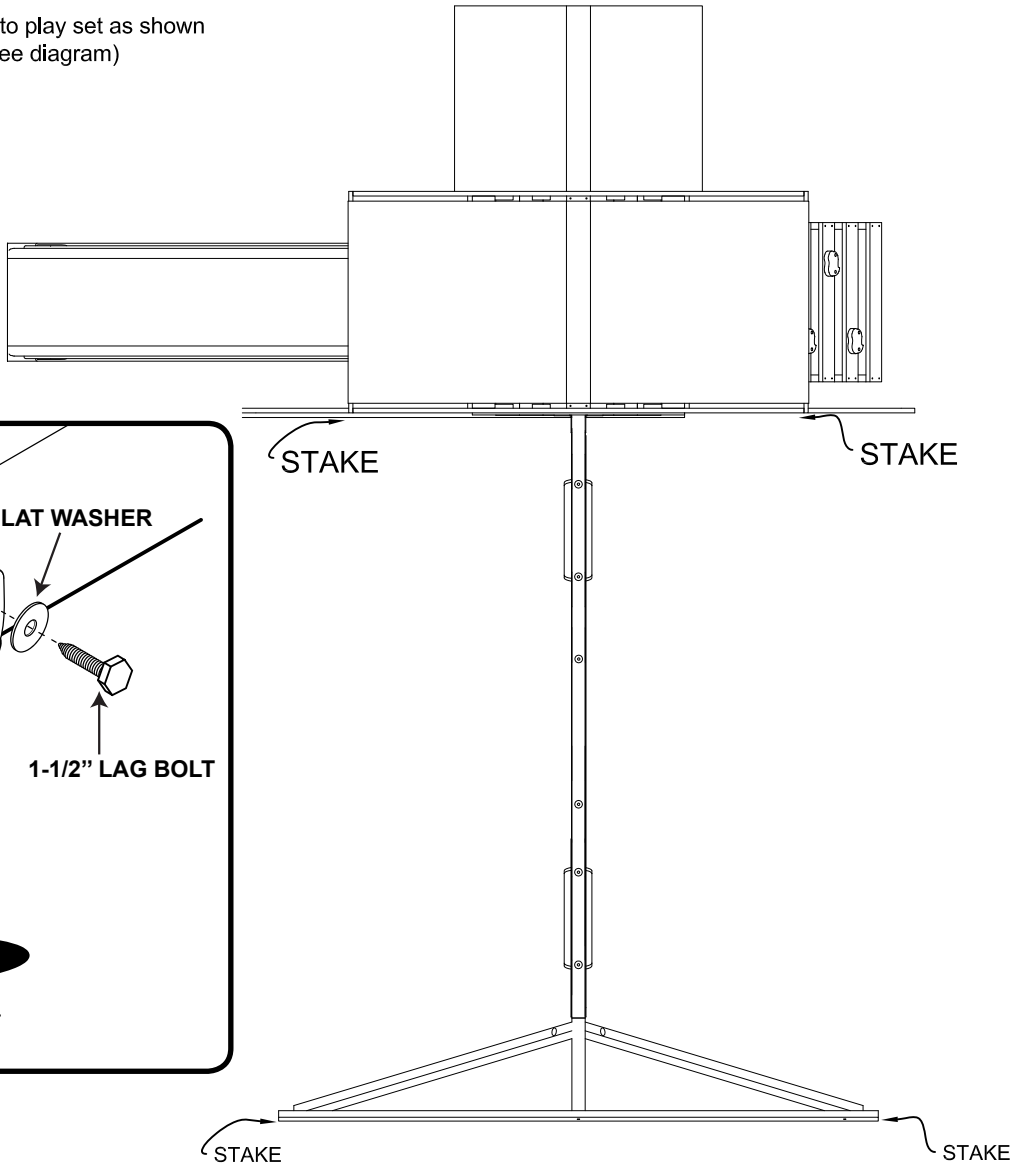
i3. (4)

e2. (4)

i5. (4)

ANCHORING

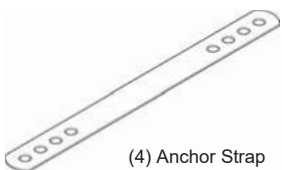
- *Place stakes into the ground next to play set as shown
- *Secure stakes with screws "a3" (see diagram)



Note: Failure to use stakes can void warranty & cause injury.

Final Step: Double check and make sure every bolt, screw and nut is tight. Make sure every board is secure. Make sure the fort is level and enjoy your playset.

ITEMS NEEDED



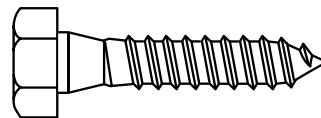
(4) Anchor Strap



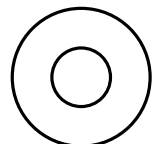
(4) Anchor

BP001-B

HARDWARE NEEDED



(4) 1-1/2" LAG BOLT



(4) FLAT WASHER

LIMITED WARRANTY

Creative Cedar Design (CCD) offers many fun, interactive, and safe play sets. We only guarantee the original purchaser that this product is free of defects for 30 days from the date of purchase. The product registration card, along with a dated purchase receipt, must be returned to CCD within 30 days.

Within a 30 day period, CCD will repair or replace, at our option, defective merchandise free of charge, provided that the defective part is a manufacturer's defect and not seasonal check. CCD requires photographs of the part in question. The customer service center must be contacted for authorization for all warranty related service. After the 30 day period, the customer is responsible for all shipping and handling charges, even if the warranty claim has been approved. Depending on the size of the part, quantity of the order, availability of part at the time, the claim can take between 1-3 weeks.

Under this warranty there will be a replacement for the defective component of the play set. A 1-year Warranty is available on all components with a manufacturer's defect. A 10-year Limited Warranty is available on wood parts (4x6 and 4x4) against wood rotting and termite damage. This guarantee is effective only if the product is used for the purpose for which it was designed, maintained with accordance to the instructions, and installed at a residential, single family dwelling.

The warranty does not cover, (a) products which have been damaged by acts of God, negligence, misuse, or accident, or which have been modified or repaired by unauthorized persons; (b) the cost of labor; (c) the cost of shipping the product, any part, or any replacement product or part; (d) damage caused by the addition of any accessories not sold by CCD.

Cosmetic defects that do not affect the structural integrity of the product, or natural defects of wood such as warping, checking or any other physical properties of wood that do not present a safety hazard, are not covered by this warranty. Defects that develop because the product is exposed to extreme climate conditions are not covered by this warranty. Defects that develop as a result of faulty or improper installation of the product are also not covered by this warranty.

For warranty service or replacement part information, please visit our website at www.creativecedardesigns.com and submit a request. If you have any additional questions, please call 1-888-363-4967.

Replacement parts are available for purchase after the warranty expires. Please contact us by email at custservice@creativecedardesigns.com for details.

Warranty: 1 Year for all Components	
Days from Date of Purchase	Cost to Customer
With in 30 days	No Cost
After 30 days , but within 1 year	Shipping and Handling (S&H)

Warranty: 10 Year Pro Rated for Wood Parts (4x4 and 4x6 ONLY against wood rot and termite damage)	
Years from Date of Purchase	Cost to Customer
0-1 (after first 30 days through Year 1)	Cost of S&H and 0% on part
2-3	Cost of S&H and 20% on part
4-5	Cost of S&H and 40% on part
6-7	Cost of S&H and 60% on part
8-9	Cost of S&H and 80% on part
Over 10	Cost of S&H and 100% on part

Warranty claim procedure

If you are confident that your play system has been installed and maintained properly, and you have a warranty claim, proceed with the following steps:

1. We will need copy of your proof of purchase (Vendor sales receipt only.)
2. We require a brief written description of the warranty issue.
3. Photos of warranted parts and of the entire play system.

If **any** of the above steps are not completed, there may be delays in the completion of your claim, or possibly warranty cancellation.

Mail information to:

Creative Cedar Designs

2700 Riverside Dr

Chattanooga, TN 37406

Or email at

custservice@creativecedardesigns.com

Our customer service department will review the claim and make contact with the customer by mail or by phone.

1-888-363-4967

PRODUCT REGISTRATION CARD

Please complete this Product Registration Card along with a copy of the receipt and return to Creative Cedar Designs, within 30 days of original purchase in order to validate time of purchase for warranty. Or register at www.creativecedardesigns.com

Name: _____

Address: _____

City, State, Zip Code: _____

Phone: _____

Email Address: _____

Date of Purchase: _____

Purchased Through: _____

City, State, Zip Code: _____

Playset Name: _____ Playset Model: _____

Overall, how would you rate the quality of our product?

- Excellent
- Good
- Satisfied
- Poor
- Unsatisfied

Would you recommend our product to family and friends?

- Yes
- No

What age group are your children?

- 3-4
- 5-6
- 7-8
- 9-10

How did you hear about us?

- In Store Display
- Sales Person
- Advertisement
- Internet
- Family and Friends

Additional Comments: _____

PRODUCT REGISTRATION CARD

Please complete this Product Registration Card along with a copy of the receipt and return to Creative Cedar Designs, within 30 days of original purchase in order to validate time of purchase for warranty.

FOLD HERE

Place
Stamp
Here

Creative Cedar Designs

2700 Riverside Dr.

Chattanooga, TN 37406