

Home Decorators

—Collection—

BF-20192HAMPTON BAY COLLECTION SINGE TILT-OUT HAMPERS







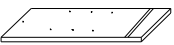
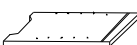
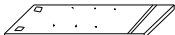

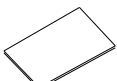








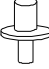




ASSEMBLY INSTRUCTIONS

Made In China

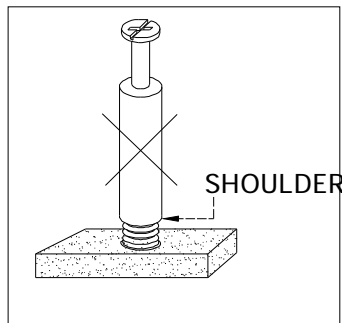
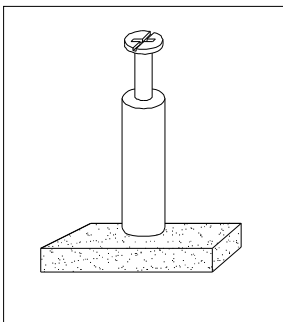


Thank you purchasing this quality product. Be sure to check all packing material carefully for small parts, which may have come loose inside the carton during shipment. Count all parts and material hardware, compare with parts list to be sure all parts are present. If any parts are missing or damaged, phone, fax, or mail to our Customer Service Department. For efficient and speedy service please indicate the model number and code letter of part(s) needed.

IMPORTANT NOTE: Follow instructions listed below in proper sequence as numbered to assure fast, easy and correct assembly.

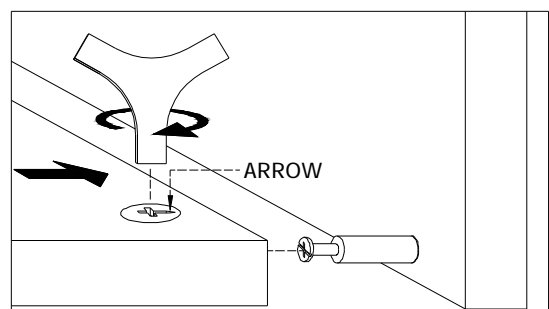
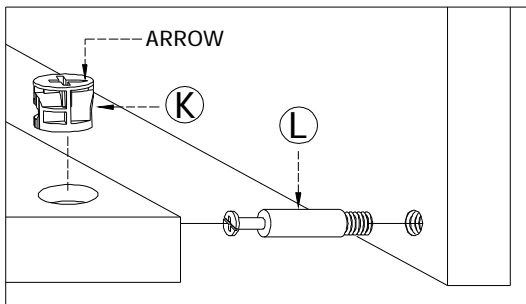
PARTS LIST			
A  TOP PANEL - 1PC	B  LEFT SIDE PANEL - 1PC	B1  RIGHT SIDE PANEL - 1PC	C  BAFFLE PANEL - 1PC
D  BOTTOM PANEL - 1PC	E  BACK PANEL - 1PC	F  FRONT PANEL - 1PC	G  SIDE PANEL - 2PCS
H  STICK PANEL - 1PC	H1  BACK PANEL - 1PC	I  BASE PANEL - 1PC	W  BAG - 1PC
K  CAM-LOCKS - 8PCS	L  CAM-BOLTS - 8PCS	M  FEETS - 4PCS	N  SCREW - 4PCS
O  KNOB - 1PC	P  SCREW - 1PC	Q  DOWEL - 4PCS	R  HINGE - 2PCS
S  SCREW - 12PCS	T  WRENCH HEXAGON - 1PC	U  CAM-TOOL - 1PC	V  SCREWS - 23PCS

NOTE: ● UPON OPENING THOROUGHLY CLEAN ALL WOODS SURFACES WITH FURNITURE POLISH TO REMOVE DUST AND DIRT THAT MAY HAVE SETTLE ONTO FINISH DURING SHIPMENT. IN ORDER TO PROTECTING THE PRODUCT .PLEASE ASSEMBLE THE PRODUCT WITH AT LEAST TWO PEOPLE.

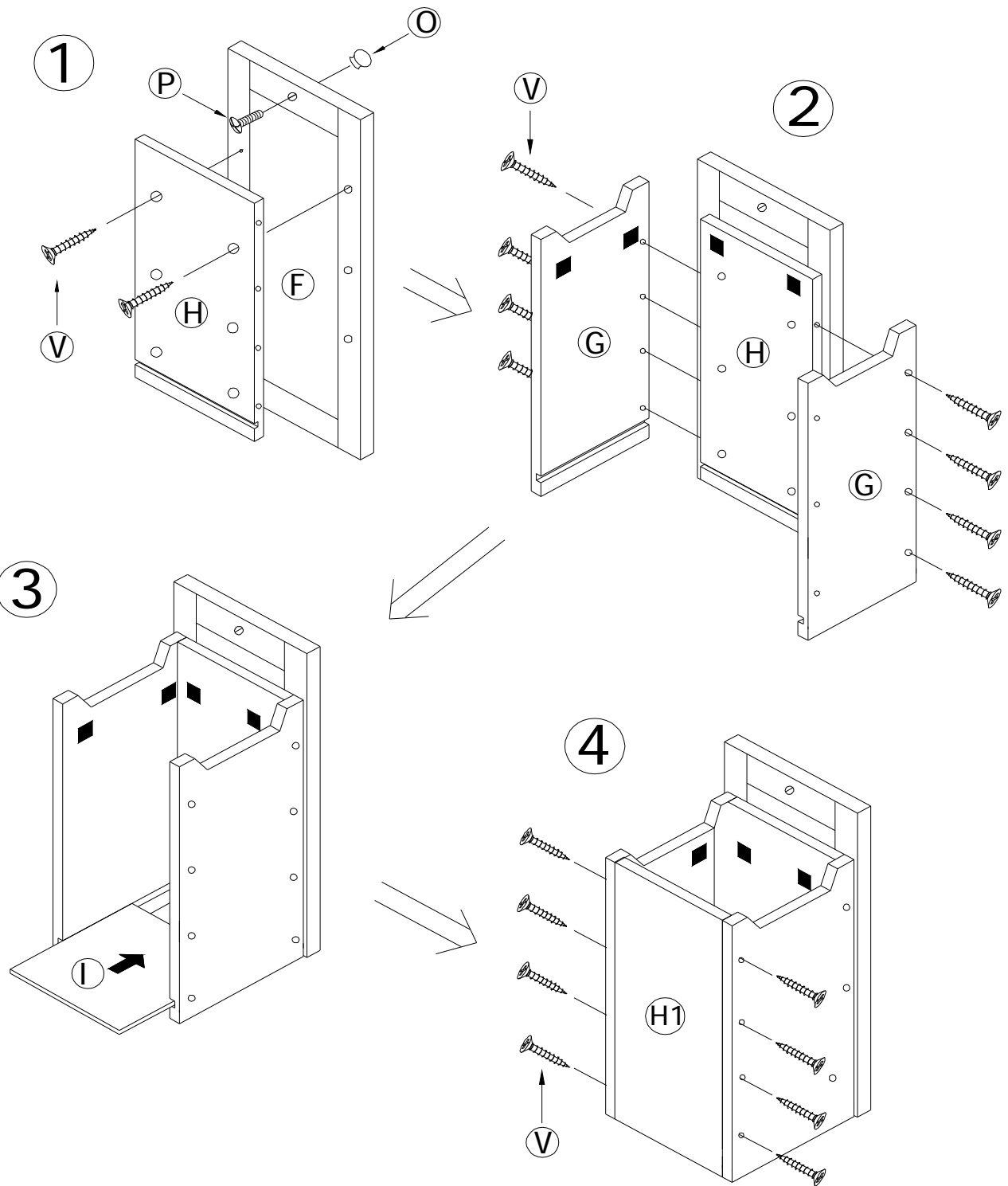


NOTE: TURN THE CAM-BOLT SCREWS UNTIL THEY ARE TIGHT, THE SHOULDER SHOULD BE AGAINST THE SURFACE OF THE PART.

HOW TO USE THE CAM-TOOL

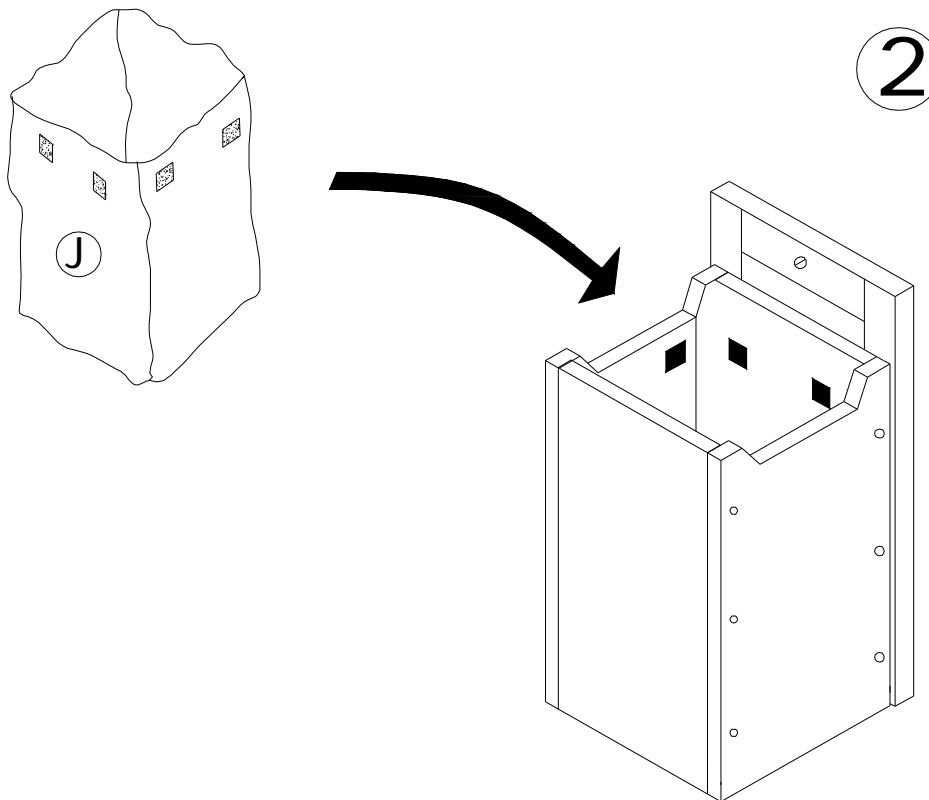
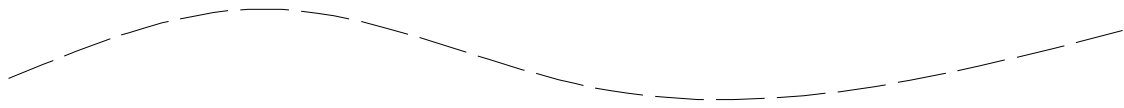
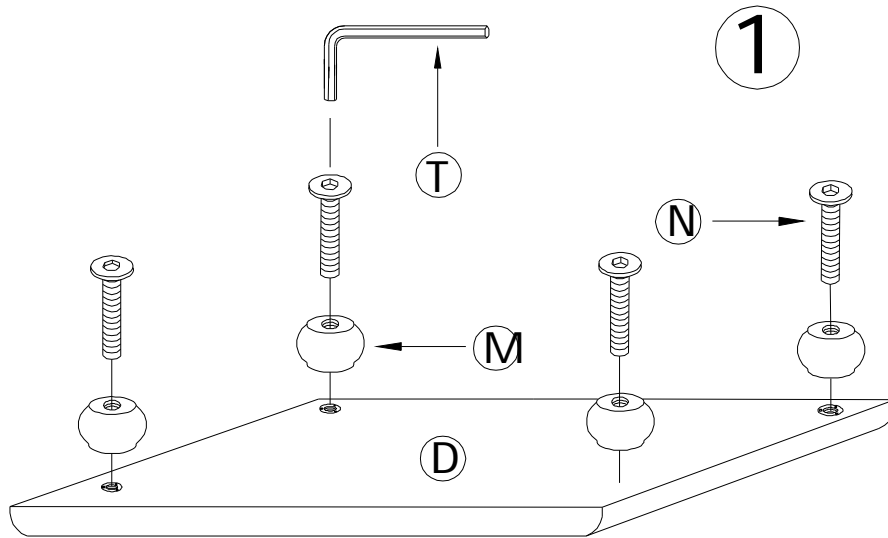


NOTE: ● THE ARROWS ON THE HIDDEN CAM-LOCKS SHOULD POINT TO THE NEAREST EDGE.



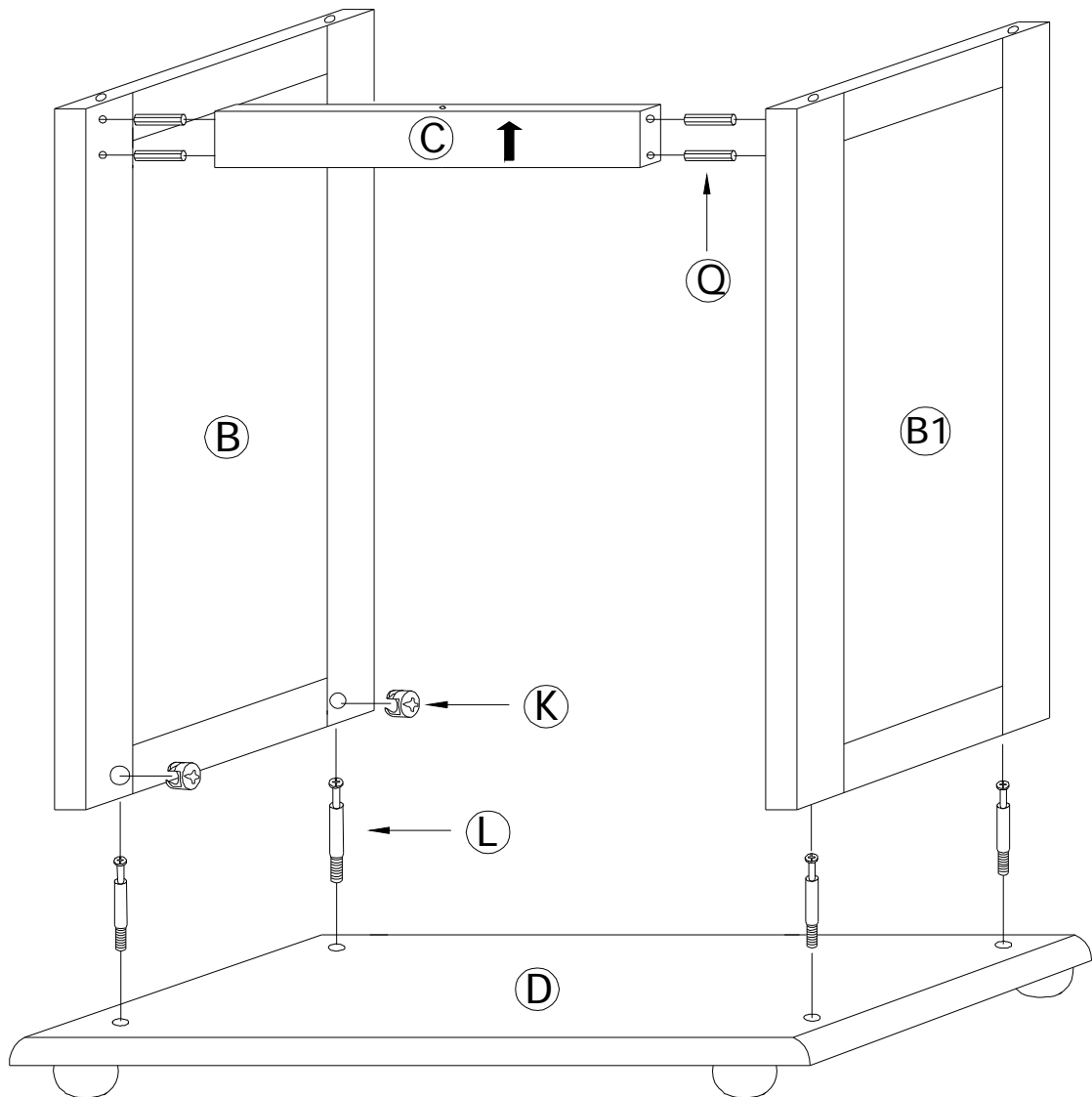
1) ASSEMBLE DIRTY CLOTHING BUCKET

- ① ● ASSEMBLE STICK PANEL(H) USING SCREWS(V) AND ATTACH KNOB(O) USING SCREWS(P).
- ② ● ATTACH SIDE PANEL(G) USING SCREWS(V).
- ③ ● INSERT BASE PANEL(I) INTO SLOT IN SIDE PANEL(G).
- ④ ● ATTACH BACK PANEL(H1) USING SCREWS(V).



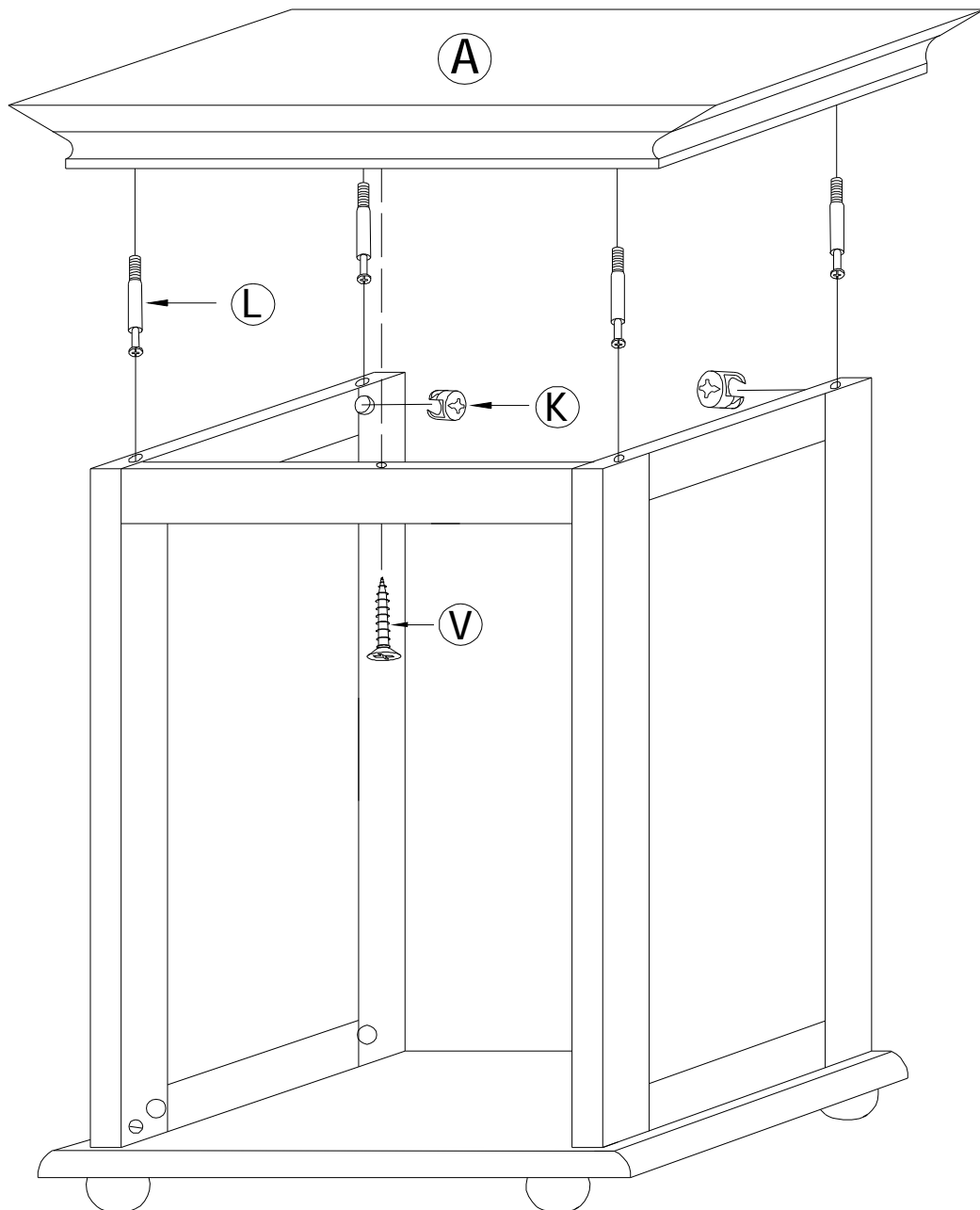
2) ASSEMBLE BOTTOM PANEL(D)

- ① • ATTACH THE FEET(M) USING SCREWS(N).
- ② • PUT THE BAG(J) INTO DIRTY CLOTHING BUCKET.



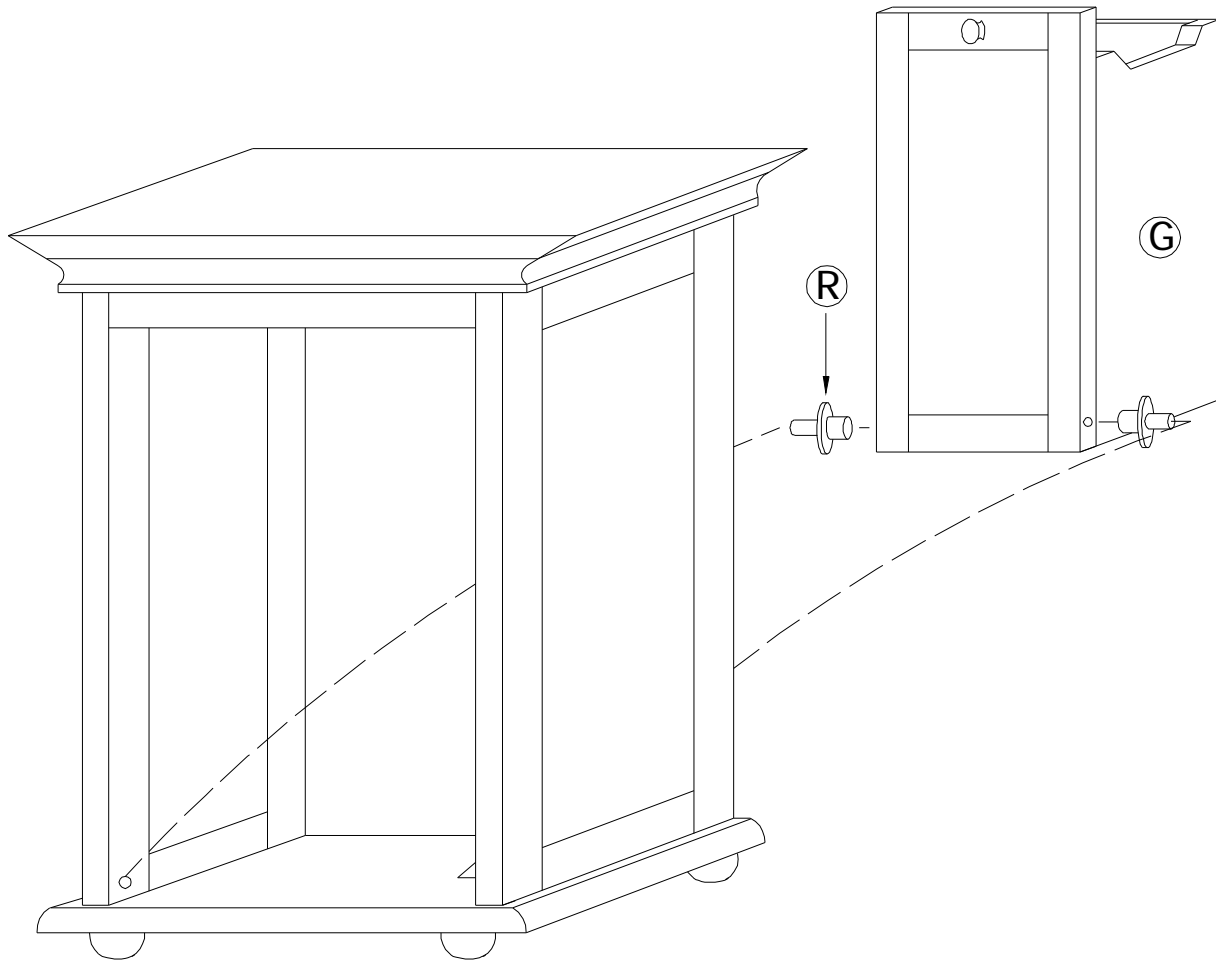
3) ASSEMBLE THE SIDE PANEL

- ATTACH BAFFLE PANEL(C) USING DOWEL(Q).
- ROTATE CAM-BOLTS(L) INTO BOTTOM PANEL(D).
- PUSH BOLTS INTO HOLES IN SIDE PANEL(B/B1) AND ATTACH USING CAM-LOCKS(K).



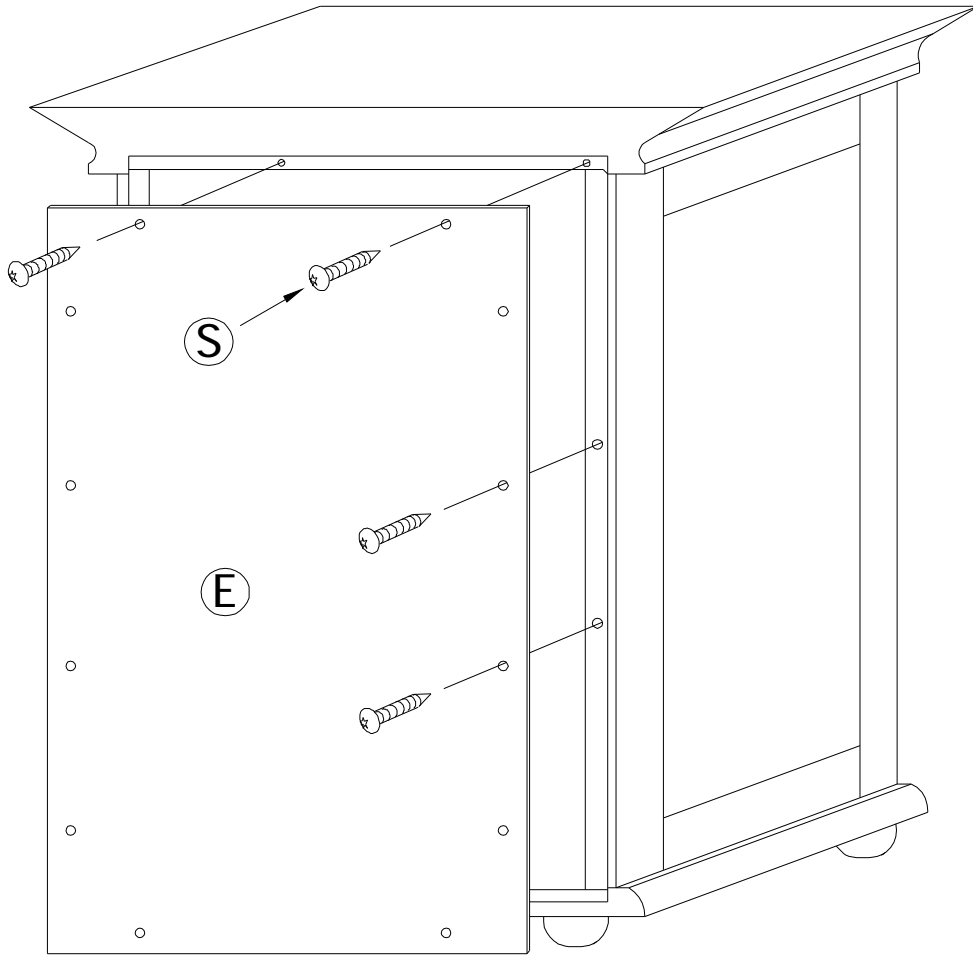
4) ASSEMBLE TOP PANEL

- ROTATE CAM-BOLTS(L) INTO TOP PANEL(A).
- PUSH BOLTS INTO HOLES IN SIDE PANEL(B/B1) AND ATTACH USING CAM-LOCKS(Q).
- ATTACH THE BAFFLE PANEL USING SCREWS(V)



5) ASSEMBLE DIRTY CLOTHING BUCKET

- INSERT THE HIGNE(R) BETWEEN IN HOLES IN SIDE PANEL(G)AND SIDE PANEL(B/B1).



6) ASSEMBLE BACK PANEL

- ATTACH BACK PANEL(E) USING SCREWS(S). OK! ASSEMBLE COMPLETE.

文件名: 说明书-20192

目录: D:\Administrator 文档和收藏夹

模板: C:\Documents and
Settings\Administrator\Application
Data\Microsoft\Templates\Normal.dot

标题: Home Decorators

主题:

作者: 1

关键词:

备注:

创建日期: 2003-12-22 22:07:00

修订号: 33

上次保存日期: 2005-6-28 11:57:00

上次保存者: aaaa

编辑时间总计: 611 分钟

上次打印时间: 2007-3-22 13:36:00

打印最终结果

页数: 11

字数: 3 (约)

字符数: 19 (约)