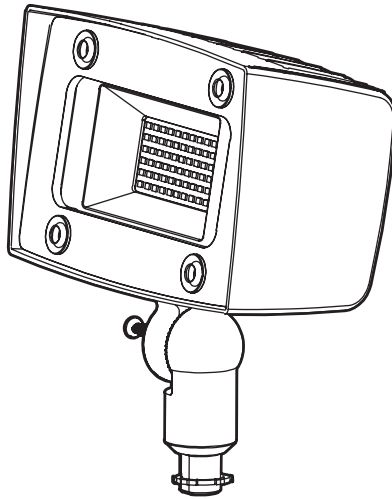


USE AND CARE GUIDE

POWERFLOOD LED ARCHITECTURAL FLOOD LIGHT



Questions, problems, missing parts? Before returning to the store,
call Commercial Electric Customer Service
9 a.m. - 5 p.m., EST, Monday - Friday

1-844-548-3776

HOMEDEPOT.COM

THANK YOU

We appreciate the trust and confidence you have placed in Commercial Electric through the purchase of this LED flood light. We strive to continually create quality products designed to enhance your home. Visit us online to see our full line of products available for your home improvement needs. Thank you for choosing Commercial Electric!

Table of Contents

Safety Information2
Warranty.....2
Pre-Installation.....3
Preparing for Installation5

Installation.....5
Care and Cleaning8
Troubleshooting8

Safety Information

IMPORTANT

THIS PRODUCT MUST BE INSTALLED IN ACCORDANCE WITH THE APPLICABLE NATIONAL ELECTRICAL CODE AND LOCAL BUILDING CODES BY A PERSON FAMILIAR WITH THE CONSTRUCTION AND OPERATION OF THE PRODUCT AND THE HAZARDS INVOLVED.

PRECAUTIONS

- Please read and understand this entire manual before attempting to assemble, install, or operate this light fixture.
- This light fixture requires a 120–277 Volt AC power source.
- Some codes require installation by a qualified electrician.
- This light fixture must be properly grounded.
- Make sure connections are secure using wire nuts, crimp-on lugs or other UL approved connecting devices.
- This light fixture should be installed outdoors to a wall or to the ground.
- This product may contain chemicals known to be hazardous. Thoroughly wash hands after installing, handling, cleaning or otherwise touching the product.



WARNING: Before installation or servicing, turn the power OFF at the circuit breaker or fuse. Place tape over the circuit breaker switch and verify power is OFF at the light fixture.



WARNING: Risk of fire. Keep the light fixture at least 3 in. (76 mm) from combustible materials.



CAUTION: Burn hazard. Allow the light fixture to cool before touching.

NOTICE: Do not connect this fixture to a dimming switch.

NOTICE: FCC Regulations state that any unauthorized changes or modifications to this equipment not expressly approved by the manufacturer could void the user's authorization to operate this equipment.



IMPORTANT: The device is tested and found to comply with Part 15 of the FCC Rules. Operation is subject to two conditions: (1) This device may not cause harmful interference and, (2) this device must accept any interference received, including any interference that may cause undesired operation.

This equipment has been tested and found to comply with the limits for a Class A digital device, pursuant to Part 15 of the FCC rules. These limits are designed to provide reasonable protection against harmful interference when the equipment is operated in a commercial environment. The equipment generates, uses, and can radiate radio frequency energy and, if not installed and used in accordance with the instruction manual, may cause harmful interference to radio communications. Operation of the equipment in a residential area is likely to cause harmful interference in which case the user will be required to correct the interference at his own expense.

Warranty

This is a limited warranty offered by the manufacturer for a period of five years from the date of purchase to its customers. The manufacturer warrants to customers that the products will be free from defects in material and workmanship. The obligation of the manufacturer under this warranty is limited to the provision of replacement of products and is extended to the original purchaser of the product on presenting valid purchase receipt or other proof of date of original purchase acceptable to the manufacturer. The receipt is required for rendering the warranty performance. Any warranty claims without original proof of purchase would not be accepted.

It should be noted that the warranty does not apply to the manufacturer products that have been altered or repaired by unauthorized personnel, have been subjected to neglect, abuse, misuse or accident or damages caused during shipping. Any other products not manufactured by the manufacturer which have been supplied, installed and/or used in conjunction with the manufacturer products are not covered under this warranty. Any damages caused by replacements bulbs, LEDs or corrosion or discoloration of brass components are also not covered by this warranty.

Warranty (continued)

LIMITATION OF LIABILITY

In no event shall the manufacturer be liable for indirect, consequential, incidental or special damages, or lost profits. The manufacturer is not liable for any claims or damage arising out of or connected with the manufacture, sale, delivery, use, maintenance and repair or modification of the manufacturer products, or supply of any replacement parts that exceed the purchase price of the manufacturer products giving rise to a claim. Labor charges to remove or install the fixtures will not be accepted.

TO CLAIM

Please contact The Home Depot customer service at 1-844-548-3776 or email support@homedepot.com and include your name, address and contact number, along with a copy of the purchase receipt and a brief description of the problem.

Pre-Installation

PLANNING INSTALLATION

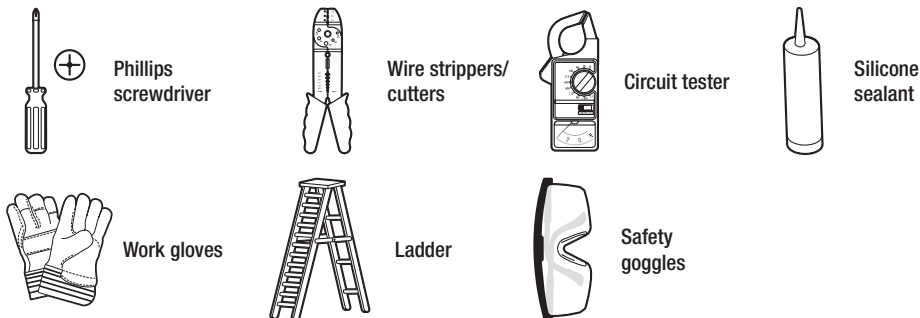
Before installing the light fixture, ensure that all parts are present. Compare parts with the Hardware Included and Package Contents sections. If any part is missing or damaged, do not attempt to assemble, install, or operate this light fixture.

Estimated installation time: 20 minutes

SPECIFICATIONS

Lumens (Light Output)	2000 Lumens
Watts (Power Consumption)	20 Watts LED
Replaces	70 Watt Metal Halide
Lumens/Watts (Efficacy)	100 Lumens per watt
Power Requirements (Input Voltage)	120–277VAC
Light Color (CCT)	4000 Kelvins (Bright White)
Dimmable	Non-dimming. Do not wire to a dimming switch.
Operating Modes	Switch-Controlled: Flip switch to turn light fixture ON and OFF.

TOOLS REQUIRED

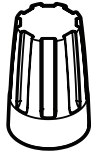


Pre-Installation (continued)

HARDWARE INCLUDED



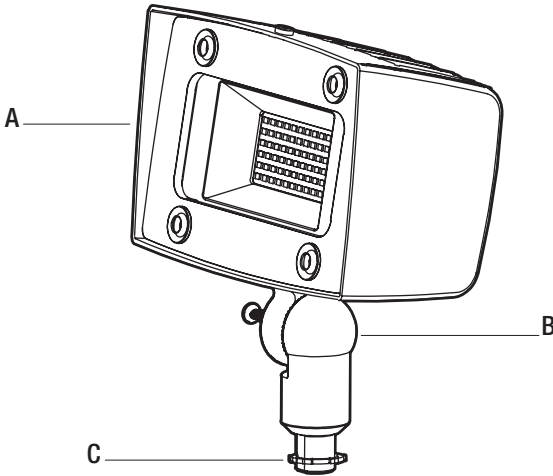
NOTE: Hardware not shown to actual size.



AA

Part	Description	Quantity
AA	Wire nut	3

PACKAGE CONTENTS



Part	Description	Quantity
A	Light fixture	1
B	1/2 in. Swivel NPS threaded knuckle mount	1
C	Knuckle mount washer	1



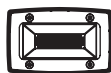
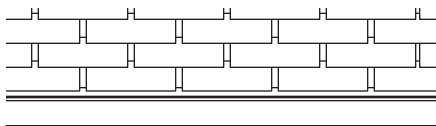
NOTE: The junction box cover plate is not provided in the box. It is available separately from your retailer.

Preparing for Installation

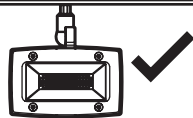
- The fixture must be mounted using the Swivel Knuckle into a domed cover plate (not provided) on a junction box or via a landscape post (sold separately).
- When installing two fixtures on one switch, make sure the switch is rated for at least a 1A inductive load.



IMPORTANT: Cover plates for junction boxes, landscape posts, and other mounting arms and accessories are available. Please contact The Home Depot customer support.



Wall Mount

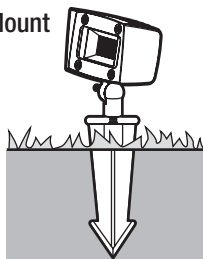


Eave Mount



Ground Mount

Landscape Post



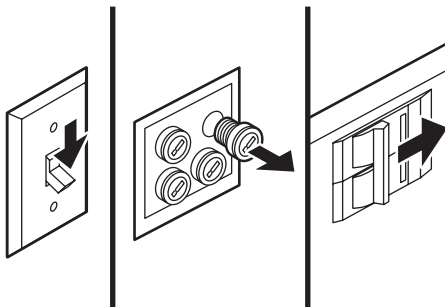
Dome Cover Plate with Center Hole



Installation

1 Turning off the electricity

- Verify the wall switch is in the OFF position. Turn power OFF at the circuit breaker that supplies power to the outlet box you are working on.
- For screw-in type fuses unscrew the fuse that supplies power to the outlet box you are working on.



Installation (continued)

2 Making the electrical connections

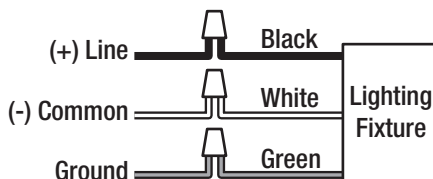
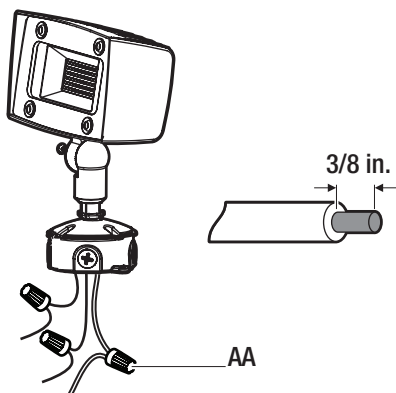
- If necessary, strip 3/8 in. of insulation from the junction box or fixture (A) wires.
- Thread the wire through the domed cover plate of the junction box (not provided) or landscape post (not provided).
- Make wiring connections into the junction box or post by following the wiring instructions below.

ON/OFF Wiring (Non Dimming) Method:

- Connect the fixture black wire to the supply black wire ((+) line), and fixture white wire to the supply white wire (-) common) by twisting the exposed wires together and using the wire nuts (AA). Ensure there are no loose wires.
- Connect the supply ground wire to the green fixture ground wire by twisting the exposed wires together and using the wire nuts (AA).

NOTE: Hold stripped ends near each other and align any frayed strands (do not twist wires).

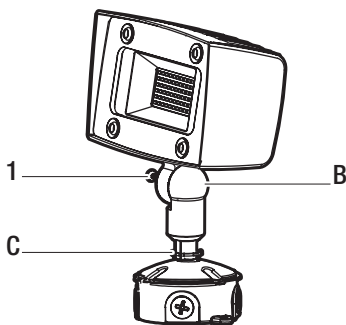
Push the wires into wire nut (AA) and use your fingers to twist the wire nut clockwise until tight. Check for tightness by pulling wires.



Installation (continued)

3 Securing the fixture and adjusting orientation

- Secure the fixture to the junction box or landscape post by inserting the threaded swivel knuckle mount (C) into the cover plate or landscape post.
- Place the knuckle mount washer (D) on the inside of the domed cover plate and tighten the fixture to the plate.
- If applicable, plug all unused holes and seal threads with silicone.
- Loosen the screw (1) on the swivel portion of the knuckle (C) using a Phillips screwdriver. Adjust the fixture to a suitable orientation, and then tighten the screw (1).



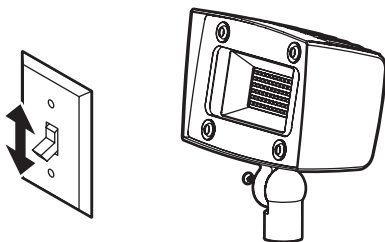
Operation

TURNING LIGHTS ON/OFF

Switch controlled

Switch-controlled operation enables the light fixture to turn ON and OFF by flipping a standard light switch. For automatic dusk-to-dawn or motion controls, sensors are not included and must be purchased separately.

- Once the fixture is installed, turn power back on from the circuit breaker and switch.
- Flip the switch ON and OFF to ensure the light functions properly.



Care and Cleaning

- Shut off the main power supply before cleaning the product. To prolong the original appearance, clean the light fixture with clear water and a soft, damp cloth only.
- Do not use abrasive cleaners or cleaners that contain alcohol. Do not apply paints, solvents, or any other chemicals on this light fixture. They could cause a premature deterioration of the finish and may void the warranty.
- Do not spray the light fixture with a hose or power washer.

Troubleshooting

Problem	Possible Cause	Solution
The light does not turn ON.	There is no power to the fixture.	<ul style="list-style-type: none">□ Check if circuit breaker is tripped.□ Confirm wall switch is ON. Verify wiring to the fixture is correct (turn power OFF to fixture beforehand).
The light flickers.	The light fixture is wired through a dimmer switch.	Do not use a dimmer switch to control the light fixture. replace the dimmer with a standard ON/OFF wall switch.



Questions, problems, missing parts? Before returning to the store,
call Commercial Electric Customer Service
9 a.m. - 5 p.m., EST, Monday-Friday

1-844-548-3776

HOMEDEPOT.COM

Retain this manual for future use.