



**Maxstow™**  
medicine cabinet, 30" x 40"  
**K-81157**

**Features**

- Innovative staggered shelf layout fits tall and short items.
- Deep shelves hold large containers.
- Low-profile design hugs the wall for a clean look.
- Mirror-front door with reflective mirrored interior.
- Four fixed shelves.
- Two-way adjustable hinges with 108-degree opening capability for easy cabinet access.

**Material**

- Rustproof aluminum.

**Installation**

- Easy surface-mount installation—no wall cutting.
- Reversible: install as left- or right-hinge swing.
- Includes mounting hardware.
- Includes two reversible side panel kits (White and Grey) to match your decor.



**Codes/Standards**

None Applicable

**KOHLER® One-Year Limited Warranty**

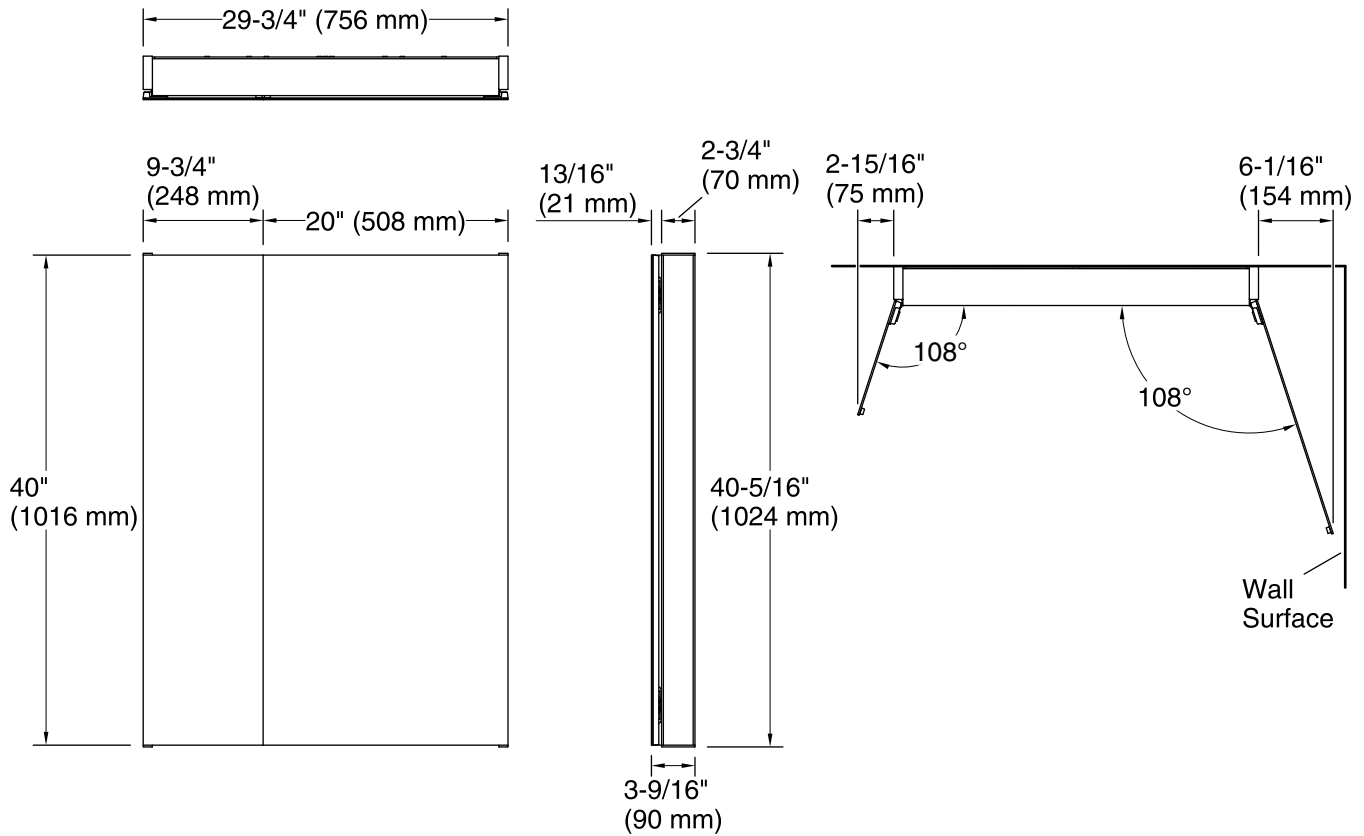
See website for detailed warranty information.

**Available Colors/Finishes**

*Color tiles intended for reference only.*

**Color Code Description**

LA1



## Technical Information

All product dimensions are nominal.

Vanity type: Wall-mount

Mirror type: Wall-mount

## Notes

Install this product according to the installation instructions.

When determining the height of the cabinet, ensure the mirrored door will clear all obstacles (such as a faucet). A minimum distance of 3" (76 mm) is required.

This cabinet is designed for either right or left door swing. Check for obstructions.