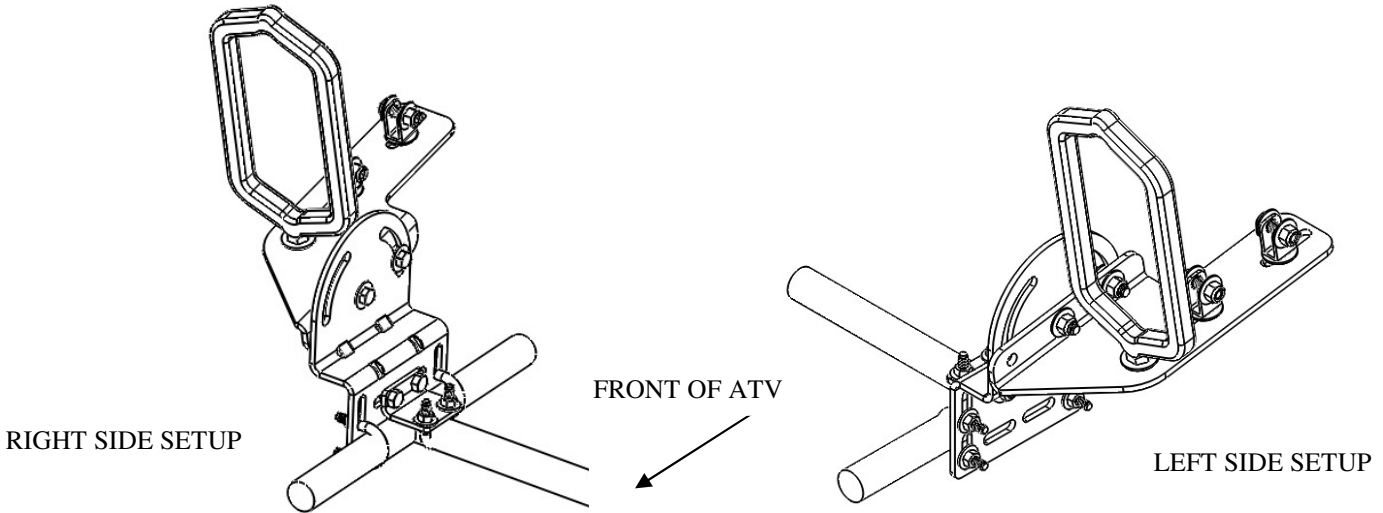




20200 UNIVERSAL GUN BOOT BRACKET

NO.	P/N	Description	QTY.
1		U-Bracket	2
2		Rubber Coated Ring	1
3	70321	1/2" Nylock Nut	1
4		1/2" Flat Washer	2
5		Rotating Plate	1
6	70200	Mounting Plate	1
7	79446	Angle Plate	1
8	*	1/4" Nylock Nut	6
9	*	3/8" Nylock Nut	2
10	*	5/16" Nylock Nut	10
11	*	1/4" Flat Washer	6

NO.	P/N	Description	QTY.
12	*	3/8" Flat Washer	2
13	*	5/16" Flat Washer	16
14	*	5/16" x 1" Hex Head Bolt	4
15	*	5/16" x 3/4" Hex Head Bolt	2
16	66352	Locking Pin	1
17	*	1/4" x 1 1/4" SQ U-Bolt	2
18	*	5/16" x 1 3/4" SQ U-Bolt	2
19	*	1/4" x 1" Round U-Bolt	1
20	*	1/4" x 1 1/4" Round U-Bolt	2
21	*	5/16" x 2" Round U-Bolt	2
22	*	Rubber Caps	6
23	79447	Hardware Pack*	1



Bracket Assembly Instructions:

1.
 - a. Attach angle plate to mounting plate using 5/16" x 3/4" hex head bolts, 5/16" washers and 5/16" nylock nuts.
 - b. Attach assembly to a cross support tube of ATV rack using 1/4" x 1" wide u-bolts, 1/4" washers and 1/4" nylock nuts.
 - c. Attach assembly to outer tube of ATV rack using 1/4" x 1 1/4" wide u-bolts, 1/4" washers and 1/4" nylock nuts.

