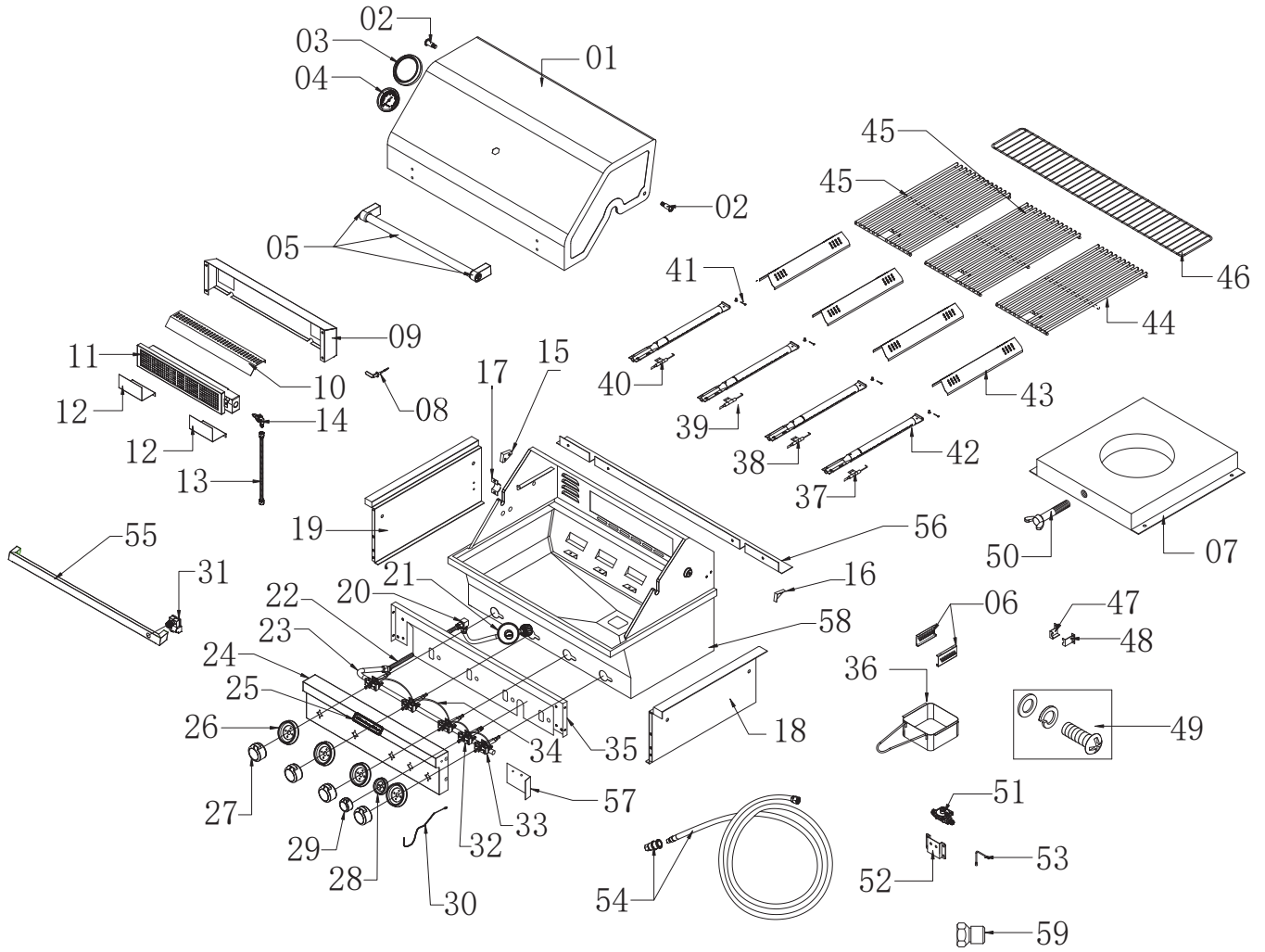


Replacement Parts see Page 85

Piezas de Reemplazo ver Pagina 86

Remplacement Pieces voir Page 87



Parts List

| No. | Part (Description) | Warranty coverage (year) | QTY | No. | Part (Description) | Warranty coverage (year) | QTY |
|-----|---------------------------------------|--------------------------|-----|-----|--|--------------------------|-----|
| 1 | Main lid | 3 | 1 | 31 | Electronic igniter module | 1 | 1 |
| 2 | Main lid screw with screw cover | 3 | 2 | 32 | Rotisserie gas valve | 1 | 1 |
| 3 | Temperature gauge housing | 3 | 1 | 33 | Main gas valve | 1 | 4 |
| 4 | Temperature gauge | 1 | 1 | 34 | Ignition wire | 1 | 1 |
| 5 | Lid handle assembly | 3 | 1 | 35 | Front baffle | 3 | 1 |
| 6 | Grease cup bracket | 1 | 2 | 36 | Grease cup | 3 | 1 |
| 7 | Tank tray | 3 | 1 | 37 | Main burner igniter wire, A | 1 | 1 |
| 8 | Rotisserie burner igniter wire | 1 | 1 | 38 | Main burner igniter wire, B | 1 | 1 |
| 9 | Rear baffle | 3 | 1 | 39 | Main burner igniter wire, C | 1 | 1 |
| 10 | Rotisserie heat shield | 3 | 1 | 40 | Main burner igniter wire, D | 1 | 1 |
| 11 | Rotisserie burner | 2 | 1 | 41 | Burner pin assembly | 1 | 4 |
| 12 | Rotisserie burner igniter bracket | 3 | 2 | 42 | Main burner | 10 | 4 |
| 13 | Rotisserie burner flex gas line | 1 | 1 | 43 | Flame tamer | 3 | 4 |
| 14 | Rotisserie orifice with brass elbow | 1 | 1 | 44 | Cooking grid with hole A | 3 | 1 |
| 15 | Main lid bracket, left | 3 | 1 | 45 | Cooking grid with hole B | 3 | 2 |
| 16 | Main lid bracket, right | 3 | 1 | 46 | Warming rack | 3 | 1 |
| 17 | Main burner flex gas clamp | 3 | 1 | 47 | 90° clamp, left | 3 | 1 |
| 18 | Flange, right | 3 | 1 | 48 | 90° clamp, right | 3 | 1 |
| 19 | Flange, left | 3 | 1 | 49 | Preassembly hardware pack | 1 | 1 |
| 20 | 90° brass adaptor | 1 | 1 | 50 | Tank tray bolt | 1 | 1 |
| 21 | Regulator, LP | 1 | 1 | 51 | Regulator with brass connector , Natural gas | 1 | 1 |
| 22 | Main burner flex gas line | 1 | 1 | 52 | Natural gas regulator clamp | 3 | 1 |
| 23 | Main manifold | 1 | 1 | 53 | Nut driver | 1 | 1 |
| 24 | Main control panel | 3 | 1 | 54 | 10 ft(3.0m) PVC flexible gas supply hose with quick connector | 1 | 1 |
| 25 | Logo | 1 | 1 | 55 | Trim piece, front | 3 | 1 |
| 26 | Main control knob bezel, main burner | 1 | 4 | 56 | Trim piece, rear | 3 | 1 |
| 27 | Control knob | 1 | 4 | 57 | Electronic igniter module heat shield panel | 1 | 1 |
| 28 | Control knob bezel, rotisserie burner | 1 | 1 | 58 | Main burner bowl assembly | Non replaceable | 1 |
| 29 | Control knob, rotisserie burner | 1 | 1 | 59 | Rotisserie burner NG orifice | 1 | 1 |
| 30 | Lighting rod | 1 | 1 | | Manual | | 1 |