

HOME
DECORATORS
COLLECTION



Ships in 7-10 Days
All Plywood Construction
Soft Close Doors & Drawers
Factory Built in the USA
Limited Lifetime Warranty

SPECIFICATION GUIDE

SEMI-CUSTOM
KITCHEN AND BATH CABINETS

hdckitchens.com

HOME
DECORATORS
COLLECTION

Semi-Custom Kitchen & Bath Cabinetry

Limited Lifetime Warranty

Home Decorators Collection (warrantor) warrants to the original consumer purchaser, that all products manufactured or supplied by warrantor will be free from defects in material and workmanship. This warranty is for your lifetime as long as you own the cabinetry, on product used for Residential Purposes only and is not transferable to subsequent owners. Proof of Purchase is required.

This warranty does not cover damage resulting from normal wear, accident, misuse or lack of reasonable and necessary maintenance and service; nor does it warranty the improper installation or unauthorized repair, alteration, or modification or defects in the product when the product is installed. This warranty is limited to the repair or replacement of the defective part at the sole discretion of warrantor. Warranty is limited to Home Decorators Collection branded products excluding all electrical components: Excluded items may carry separate warranties as provided directly by the manufacturer of these products.

It is our option to provide repair parts or replace with functionally equivalent product. Return of product may be required for replacements. Such repair parts or replacement shall be at warrantor's expense, but customer shall bear all other expenses, including, but not limited to, cost of removal, transportation, re-installation, communication and any special service required by customer such as, overtime labor, etc.

Natural woods vary in color and grain pattern and exhibit color change over time. Cabinets may darken or lighten with age due to exposure to certain environmental conditions including but not limited to sunlight, moisture, household cleaners, smoke, etc. These variations are considered the natural characteristics of the material and are not covered under this warranty.

In the event of a warranted product performance issue, submit request including proof of purchase documentation, specific description of warranty issue (include photos where possible) in writing to:

Warranty Department
210 Century Boulevard
Bartow, FL 33830

EXCEPT TO THE EXTENT PROVIDED BY APPLICABLE LAW, ALL IMPLIED WARRANTIES, INCLUDING WARRANTIES OF MERCHANTABILITY AND FITNESS FOR A PARTICULAR PURPOSE, ARE LIMITED IN DURATION TO THE SHORTER OF THE PERIOD PROVIDED BY LAW OR THE PERIOD OF THIS WARRANTY, AND UNDER NO CIRCUMSTANCE SHALL HOME DECORATORS COLLECTION BE LIABLE FOR INCIDENTAL OR CONSEQUENTIAL DAMAGES SUSTAINED IN CONNECTION WITH THE PRODUCT. THE EXPRESS WARRANTY ABOVE CONSTITUTES THE ENTIRE WARRANTY AND IS IN LIEU OF ALL OTHERS EXPRESSED OR IMPLIED.

Some states do not allow the exclusion or limitation of incidental or consequential damages, or limitation on how long an implied warranty lasts, therefore, the above limitations or exclusions may not apply to you. This warranty gives you specific legal rights, and you may also have other rights, which vary from state to state.

INDEMNITY

Home Decorators Collection shall not be liable for either its failure to perform or its delays in performance hereunder arising out of or resulting from causes beyond its control, including but not limited to, acts of God, acts of Representation, acts of Government, wars, fires, floods, epidemics, quarantine, strike, freight embargoes, weather or default by suppliers due to any such causes.

Table of Contents



Door Styles 2-4

Cabinet Construction 5

Customization Options..... 6

Wall Cabinets & Accessories..... 7-13
(includes blind corners, angled corners, microwave shelf, wine rack, range hoods)

Mullion Doors 14

Base Cabinets & Accessories 15-24
(includes cooktops, pantry pullouts, filler pullouts, tray dividers, tilt-out trays, sink liners)

Tall Cabinets & Accessories 25-29
(includes oven cabinets, cabinets with roll-out trays)

Vanity Cabinets & Accessories..... 30-33
(includes sink bases, drawer bases, linen cabinets, wall boutique, sink base liners)

Decorative Molding 34-35
(includes crowns, dentil, rope, light rails, valances, spindles, corbels)

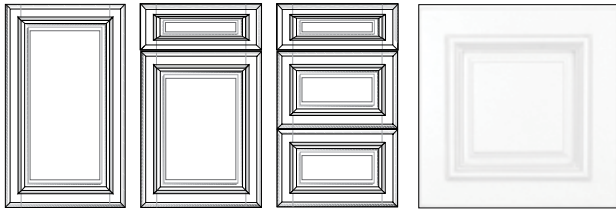
Decorative Hardware..... 36-38
(includes handles, knobs & cups)

Cabinet Frame & Opening Dimensions 39-41

Cabinet Front Only Availability Guide..... 42

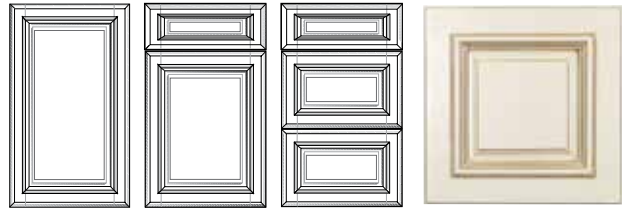
Square Raised Panel with Applied Molding Door Styles

Coventry Pacific White (CPW)



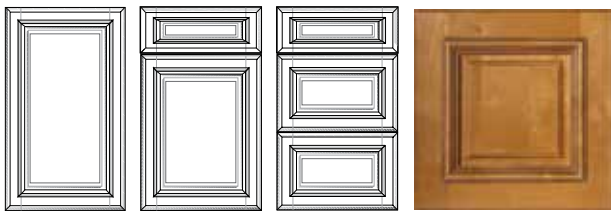
- 2-3/8" wide x 3/4" thick solid MDF mortise and tenon framed doors with 5/8" thick solid MDF raised center panels and 1" wide applied mitered MDF accent molding
- 2-3/8" wide x 3/4" thick solid MDF mortise and tenon framed drawer fronts with 5/8" thick solid MDF raised center panels and 1" wide applied mitered MDF accent molding
- Fully concealed hinges
- Available in Pacific White painted finish
- Decorative hardware required

Holden Bronze Glaze (HBG)



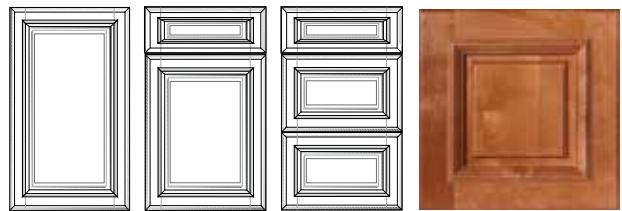
- 2-3/8" wide x 3/4" thick solid MDF mortise and tenon framed doors with 5/8" thick solid MDF raised center panels and 1" wide applied mitered MDF accent molding
- 2-3/8" wide x 3/4" thick solid MDF mortise and tenon framed drawer fronts with 5/8" thick solid MDF raised center panels and 1" wide applied mitered MDF accent molding
- Fully concealed hinges
- Available in Bronze Glaze finish
- Decorative hardware required

Clevedon Toffee Glaze (CTG)



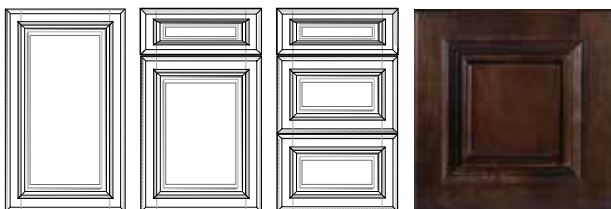
- 2-3/8" wide x 3/4" thick solid birch mortise and tenon framed doors with 5/8" thick solid birch raised center panels and 1" wide applied mitered birch accent molding
- 2-3/8" wide x 3/4" thick solid birch mortise and tenon framed drawer fronts with 5/8" thick solid birch raised center panels and 1" wide applied mitered birch accent molding
- Fully concealed hinges
- Available in hand-brushed Toffee Glaze stain finish
- Decorative hardware required

Dartmouth Cinnamon (DCN)



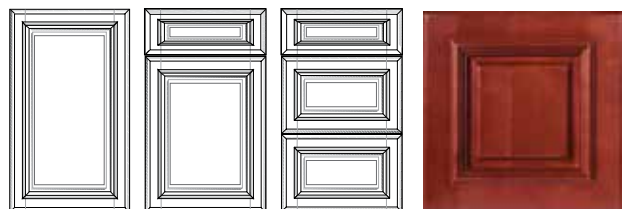
- 2-3/8" wide x 3/4" thick solid birch mortise and tenon framed doors with 5/8" thick solid birch raised center panels and 1" wide applied mitered birch accent molding
- 2-3/8" wide x 3/4" thick solid birch mortise and tenon framed drawer fronts with 5/8" thick solid birch raised center panels and 1" wide applied mitered birch accent molding
- Fully concealed hinges
- Available in Cinnamon stain finish
- Decorative hardware required

Somerset Manganite (SMG)



- 2-3/8" wide x 3/4" thick solid birch mortise and tenon framed doors with 5/8" thick solid birch raised center panels and 1" wide applied mitered birch accent molding
- 2-3/8" wide x 3/4" thick solid birch mortise and tenon framed drawer fronts with 5/8" thick solid birch raised center panels and 1" wide applied mitered birch accent molding
- Fully concealed hinges
- Available in Manganite stain finish
- Decorative hardware required

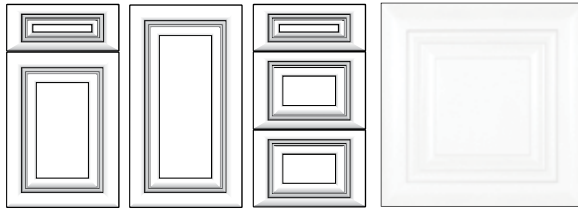
Plymouth Cabernet (PCB)



- 2-3/8" wide x 3/4" thick solid birch mortise and tenon framed doors with 5/8" thick solid birch raised center panels and 1" wide applied mitered birch accent molding
- 2-3/8" wide x 3/4" thick solid birch mortise and tenon framed drawer fronts with 5/8" thick solid birch raised center panels and 1" wide applied mitered birch accent molding
- Fully concealed hinges
- Available in Cabernet stain finish
- Decorative hardware required

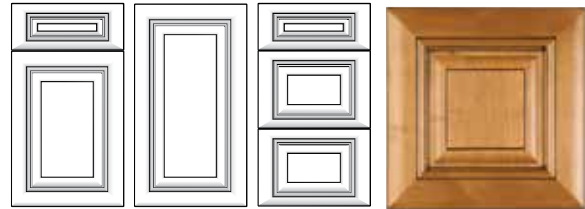
Square Raised Panel Miter Frame Door Styles

Brookfield Pacific White (BPW)



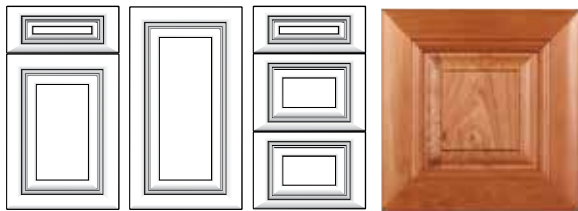
- 3/4" thick x 2 3/4" wide solid MDF 'pillow top' mitered framed doors with 5/8" thick solid MDF raised center panels
- 3/4" thick x 2 3/4" wide solid MDF 'pillow top' mitered framed drawer fronts with 5/8" thick solid MDF raised center panels
- 8" high drawer fronts feature a 2" wide mitered frame
- Fully concealed hinges
- Available in Pacific White painted finish
- Decorative hardware required

Lewiston Toffee Glaze (LTG)



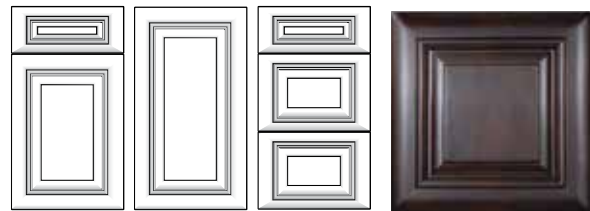
- 3/4" thick x 2 3/4" wide solid birch 'pillow top' mitered framed doors with 5/8" thick solid birch raised center panels
- 3/4" thick x 2 3/4" wide solid birch 'pillow top' mitered framed drawer fronts with 5/8" thick solid birch raised center panels
- 8" high drawer fronts feature a 2" wide mitered frame
- Fully concealed hinges
- Available in hand-brushed Toffee Glaze finish
- Decorative hardware required

Laguna Cinnamon (LCN)



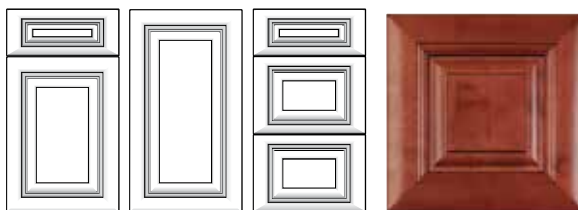
- 3/4" thick x 2 3/4" wide solid birch 'pillow top' mitered framed doors with 5/8" thick solid birch raised center panels
- 3/4" thick x 2 3/4" wide solid birch 'pillow top' mitered framed drawer fronts with 5/8" thick solid birch raised center panels
- 8" high drawer fronts feature a 2" wide mitered frame
- Fully concealed hinges
- Available in Cinnamon stain finish
- Decorative hardware required

Roxbury Manganite (RMG)



- 3/4" thick x 2 3/4" wide solid birch 'pillow top' mitered framed doors with 5/8" thick solid birch raised center panels
- 3/4" thick x 2 3/4" wide solid birch 'pillow top' mitered framed drawer fronts with 5/8" thick solid birch raised center panels
- 8" high drawer fronts feature a 2" wide mitered frame
- Fully concealed hinges
- Available in Manganite stain finish
- Decorative hardware required

Lyndhurst Cabernet (LCB)



- 3/4" thick x 2 3/4" wide solid birch 'pillow top' mitered framed doors with 5/8" thick solid birch raised center panels
- 3/4" thick x 2 3/4" wide solid birch 'pillow top' mitered framed drawer fronts with 5/8" thick solid birch raised center panels
- 8" high drawer fronts feature a 2" wide mitered frame
- Fully concealed hinges
- Available in Cabernet stain finish
- Decorative hardware required

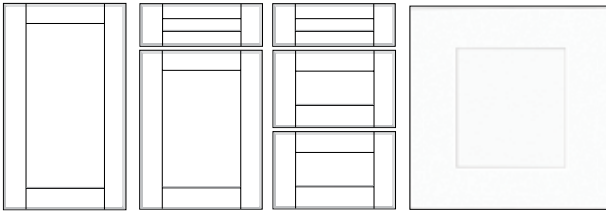
FULL Overlay cabinetry is constructed from various pieces of solid wood and wood veneers. Differences in grain pattern and color should be expected. Color differences in wood are the result of variations in minerals found in the soil native to the tree's origin. Absorption of these minerals will vary by tree or parts of said tree. In addition, color changes can be experienced due to different exposure to light. All species of wood will display characteristics such as knots, pinholes, sap runs, mineral streaks and darkening with age. It is the natural beauty of wood to exhibit these characteristics and they will be present throughout your cabinetry.

Our **Toffee Glaze** finish features hand applied glaze applied over the base stain which accentuates the door and drawer front profiles. This glazing, combined with occasional fly specks, dents, drips and runs is random and intentional in design to mimic the look of distressed furniture.

The **Arctic White**, **Bronze Glaze**, **Pacific White** and **Pearl Gray** finished product features solid wood painted face frames. As with any painted wood surface, expansion and contraction with changes in climate may cause fractures in the paint surface at joints. This is an acceptable characteristic and will vary based on climate conditions. In addition, there may be a slight color shift over time due to continued exposure to both natural and artificial light.

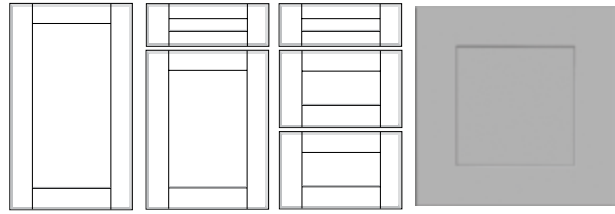
Shaker Square Recessed Panel Door Styles

Newport Pacific White (NPW)



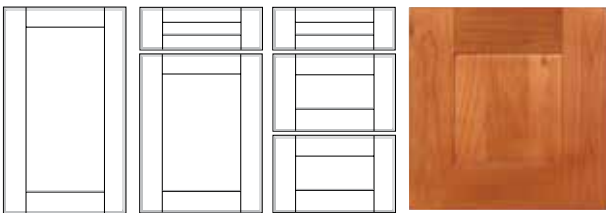
- 3/4" thick x 3" wide solid MDF Shaker style mortise and tenon framed doors with 5/8" thick solid MDF recessed center panels
- 3/4" thick x 3" wide solid MDF Shaker style mortise and tenon framed drawer fronts with 5/8" thick solid MDF recessed center panels
- Fully concealed hinges
- Available in Pacific White painted finish
- Decorative hardware required

Tremont Pearl Gray (TPG)



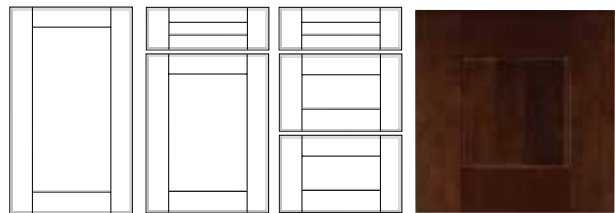
- 3/4" thick x 3" wide solid MDF Shaker style mortise and tenon framed doors with 5/8" thick solid MDF recessed center panels
- 3/4" thick x 3" wide solid MDF Shaker style mortise and tenon framed drawer fronts with 5/8" thick solid MDF recessed center panels
- Fully concealed hinges
- Available in Pearl Gray painted finish
- Decorative hardware required

Hargrove Cinnamon (HCN)



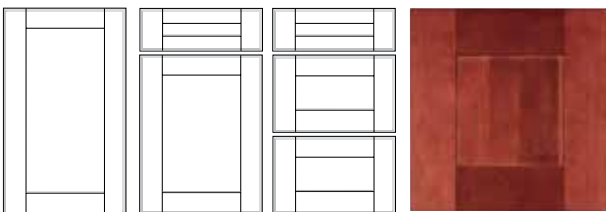
- 3/4" thick x 3" wide solid birch Shaker style mortise and tenon framed doors with 5/8" thick birch veneer over MDF recessed center panels
- 3/4" thick x 3" wide solid birch Shaker style mortise and tenon framed drawer fronts with 5/8" thick birch veneer over MDF recessed center panels
- Fully concealed hinges
- Available in Cinnamon stain finish
- Decorative hardware required

Franklin Manganite (FMG)



- 3/4" thick x 3" wide solid birch Shaker style mortise and tenon framed doors with 5/8" thick birch veneer over MDF recessed center panels
- 3/4" thick x 3" wide solid birch Shaker style mortise and tenon framed drawer fronts with 5/8" thick birch veneer over MDF recessed center panels
- Fully concealed hinges
- Available in Manganite stain finish
- Decorative hardware required

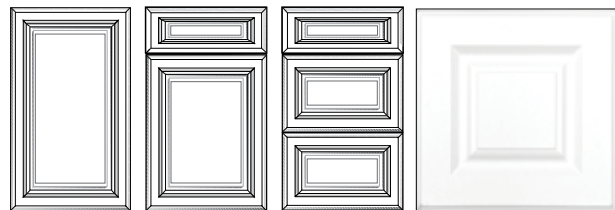
Kingsbridge Cabernet (KCB)



- 3/4" thick x 3" wide solid birch Shaker style mortise and tenon framed doors with 5/8" thick birch veneer over MDF recessed center panels
- 3/4" thick x 3" wide solid birch Shaker style mortise and tenon framed drawer fronts with 5/8" thick birch veneer over MDF recessed center panels
- Fully concealed hinges
- Available in Cabernet stain finish
- Decorative hardware required

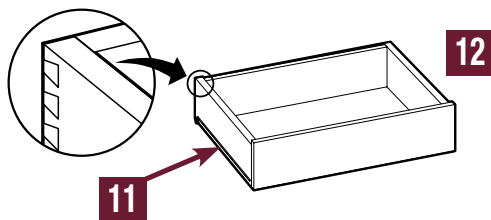
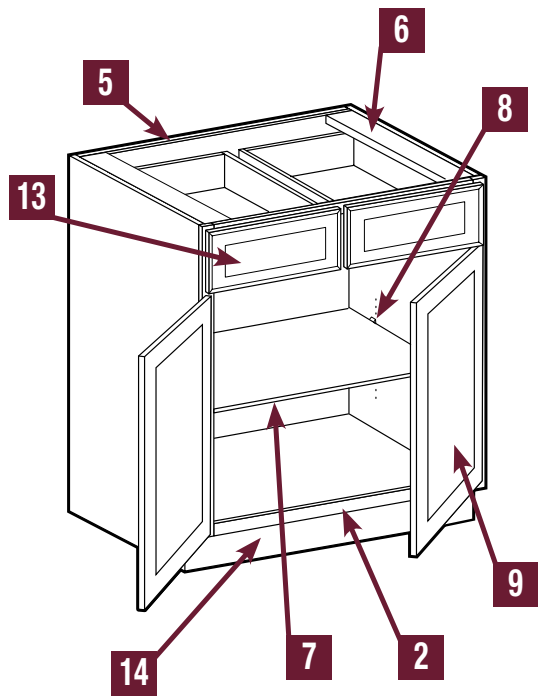
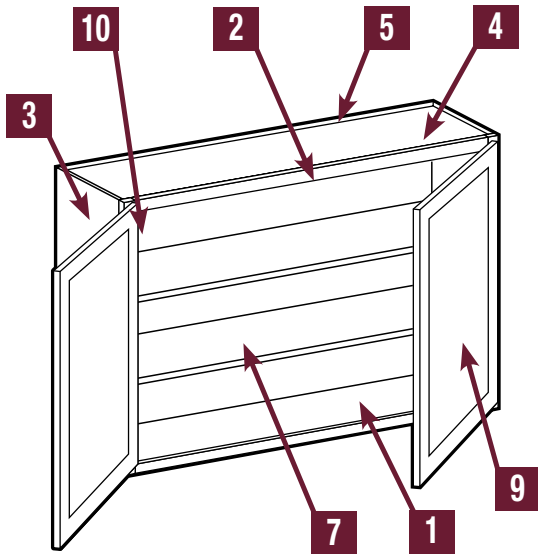
Thermofoil Square Raised Panel Door Style

Hallmark Arctic White (HAW)



- 3/4" thick, solid MDF raised panel vinyl clad doors
- 3/4" thick, solid MDF raised panel vinyl clad drawer fronts
- Fully concealed hinges
- Available in Arctic White vinyl
- Decorative hardware required

Full Overlay Cabinet Construction



1	INTERIOR	Light stained birch wood veneer provides a durable, wipe clean finish
2	FACE FRAME	1½" wide x ¾" thick solid hardwood, doweled and joint-glued
3	END PANELS	1/2" thick CARB2 plywood with natural birch wood veneer interior and raw veneer exterior. EXPOSED SIDES REQUIRE FINISHED END PANELS.
4	FLOOR & CEILING	1/2" thick CARB2 plywood with natural birch wood veneer both sides captured by end panels.
5	BACK PANELS	1/2" thick CARB2 plywood with natural birch wood veneer interior and raw veneer exterior.
6	"I-BEAM" SUPPORTS	1/2" thick CARB2 plywood, full depth braces provide stability and support for countertop attachment.
7	ADJUSTABLE SHELVES	¾" thick CARB2 plywood with natural birch wood veneer both sides with matching edgebanding. Base and wall adjustable shelves are full depth.
8	SHELF SUPPORTS	Clear, high strength plastic with locking top tab to prevent shelf tip. Provides easy shelf adjustment.
9	DOORS	Stylish, full-overlay doors available in stained hardwoods or MDF. See pages 2-4 for details.
10	HINGES	Fully concealed, Soft Close 110° opening featuring multiple adjustments for ease of alignment.
11	RUNNERS/GLIDES	Drawers feature smooth ball bearing, full extension concealed runners with shock that engages when drawer is 1" from closing and applies resistance for soft closing; interior roll out trays have epoxy coated, under-mount suspension system with a smooth closing operation. Both withstand a 75 lb. load capacity.
12	DRAWERS & ROLL-OUT TRAYS	5/8" thick solid birch hardwood, four-sided dovetail with ¼" thick captured plywood floor, all finished with clear top coat to coordinate with cabinet interior.
13	DRAWER FRONTS	Stylish full overlay drawer fronts available in solid hardwood or MDF. See pages 2-4 for details.
14	INTEGRAL TOE KICK	1/2" thick plywood secured between end panels. Provides solid backing for installation of Matching Toe Kick (MTK8) or other materials such as ceramic, vinyl, etc.



Member
NKBA

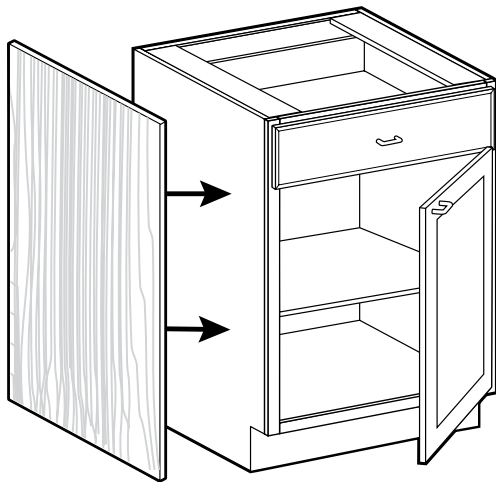


CARB2
compliant

Customization Options

FACTORY FINISHED ENDS

- Cabinets are manufactured with an unfinished wood veneer exterior. Exposed sides (visible once installation is complete) require a color matched end panel.
- Factory Finished Ends are available for all standard cabinets up to 90" tall
- Specify Left Side, Right Side or Both
- Finished Ends are wood veneer plywood, in a color matched stain. Painted finishes are an MDF core.



ALTERNATIVE OPTIONS:

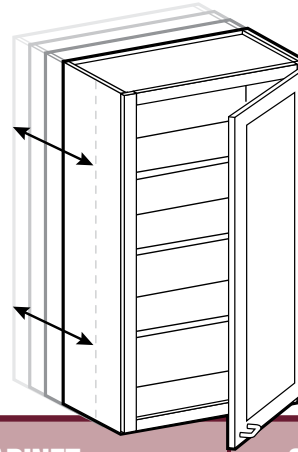
V-Groove Skin - Order separately for field installation
 Matching End Panel - Order separately for field installation

NOTE: Alternative Options cannot be used in conjunction with Factory Finished Ends

CUSTOM DEPTH



- Available on standard cabinet types in 1" depth increments

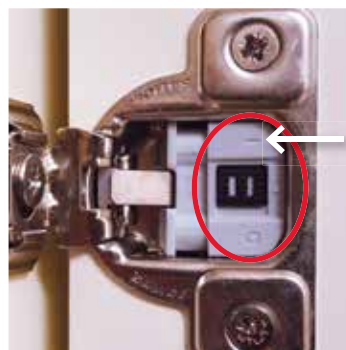


CABINET TYPE	CUSTOM DEPTH MIN-MAX
12" DEEP WALL	5" to 15"
24" DEEP WALL	16" to 23"
* STANDARD BASE	9" to 23"
BASE DRAWER	15" to 23"
TALL UTILITY/LINEN	9" to 23"

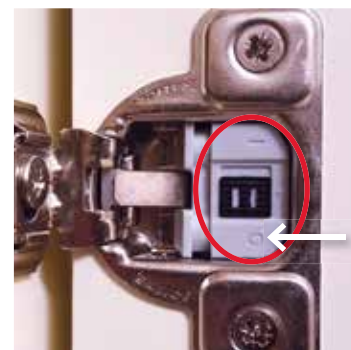
* Base cabinets with drawers that are customized from 15" to 23" deep will include working drawers. 9" to 14" deep cabinets will have no drawer and a false drawer front.

SOFT CLOSE HINGES

- Cabinet hinges feature a Soft Close function
- Some styles feature doors that are lighter in weight, and the Soft Close function may need to be deactivated (OFF) in one hinge to help the door close completely
- To deactivate, change the position of the switch located in the cup of the door plate



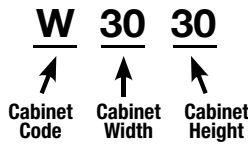
The Soft Close feature is ON when the switch is towards the "-" symbol.



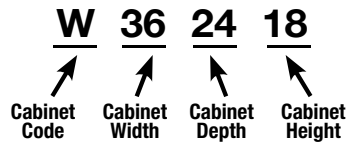
The Soft Close feature is OFF when the switch is towards the "O" symbol.

WALL CABINET CODING

STANDARD (12" DEEP)

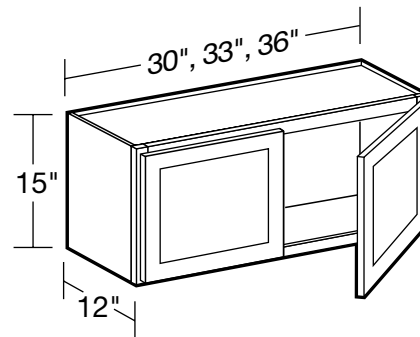


REFRIGERATOR (24" DEEP)



- Standard wall cabinets are 12" deep. Refrigerator wall cabinets are 24" deep.
- Cabinet depth does not include door thickness
- Products are available in all door styles unless stated otherwise
- Standard cabinet exterior is unfinished veneer, exposed sides require Finished Ends or Matching End Panels

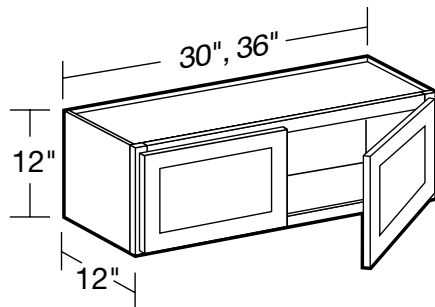
15" High Double Door



W3015
W3315
W3615

- No adjustable shelf
- **CUSTOM DEPTH: 5" to 15" deep**

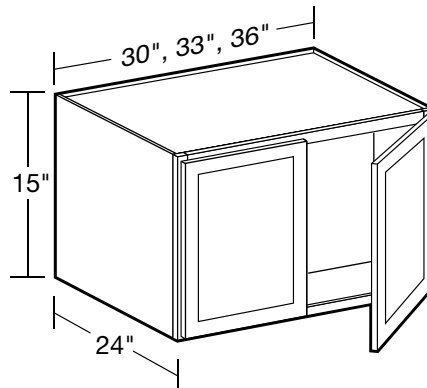
12" High Double Door



W3012
W3612

- No adjustable shelf
- **CUSTOM DEPTH: 5" to 15" deep**

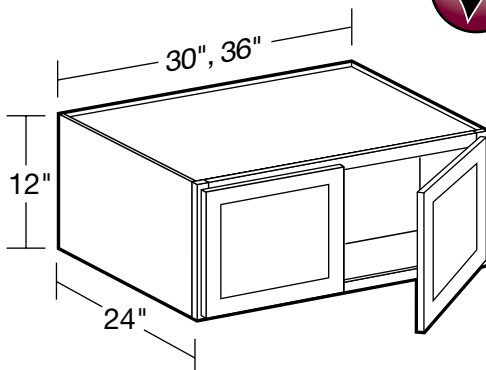
15" High x 24" Deep Double Door



W302415
W332415
W362415

- No adjustable shelf
- Must be installed between two cabinets, cabinet and wall, or supported by refrigerator panels (RP)
- **CUSTOM DEPTH: 16" to 23" deep**

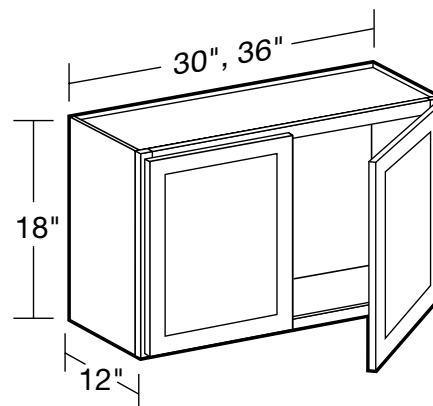
12" High x 24" Deep Double Door



W302412
W362412

- No adjustable shelf
- Must be installed between two cabinets, cabinet and wall, or supported by refrigerator panels (RP)
- **CUSTOM DEPTH: 16" to 23" deep**

18" High Double Door

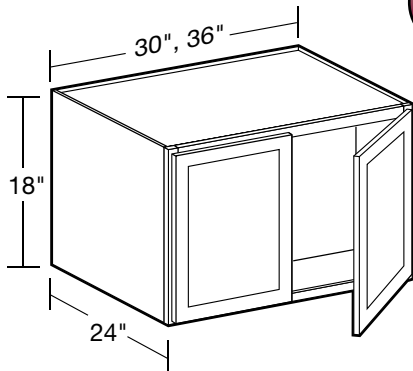


W3018
W3618

- No adjustable shelf
- **CUSTOM DEPTH: 5" to 15" deep**

Wall Cabinets

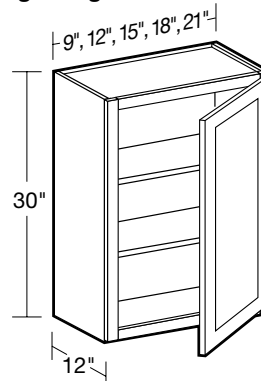
18" High x 24" Deep Double Door



W302418
W362418

- No adjustable shelf
- Must be installed between two cabinets, cabinet and wall, or supported by refrigerator panels (RP)
- **CUSTOM DEPTH: 16" to 23" deep**

30" High Single Door

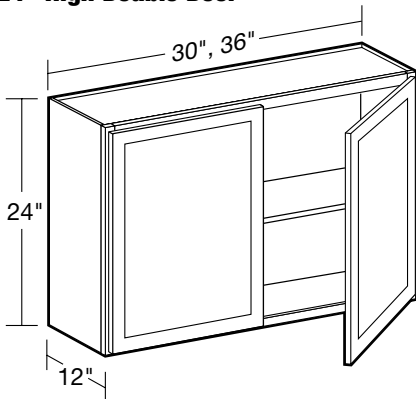


SPECIFY
RIGHT or LEFT HINGED

W0930
***W1230**
***W1530**
***W1830**
W2130

- Two adjustable shelves
- * Mullion doors available in select styles. Consult availability guide on page 14.
- **CUSTOM DEPTH: 5" to 15" deep**

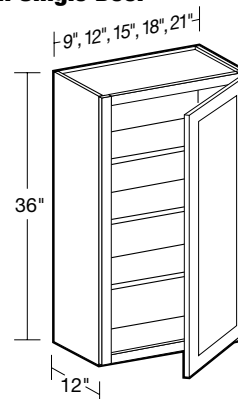
24" High Double Door



W3024
W3624

- One adjustable shelf
- **CUSTOM DEPTH: 5" to 15" deep**

36" High Single Door

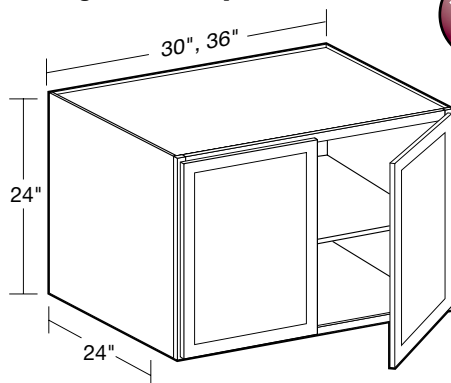


SPECIFY
RIGHT or LEFT HINGED

W0936
***W1236**
***W1536**
***W1836**
W2136

- Three adjustable shelves
- * Mullion doors available in select styles. Consult availability guide on page 14.
- **CUSTOM DEPTH: 5" to 15" deep**

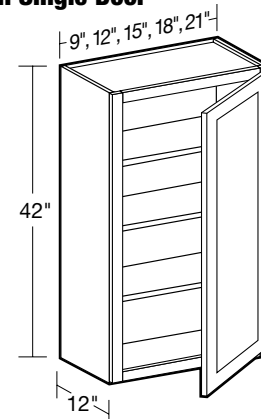
24" High x 24" Deep Double Door



W302424
W362424

- One adjustable shelf
- Must be installed between two cabinets, cabinet and wall, or supported by refrigerator panels (RP)
- **CUSTOM DEPTH: 16" to 23" deep**

42" High Single Door

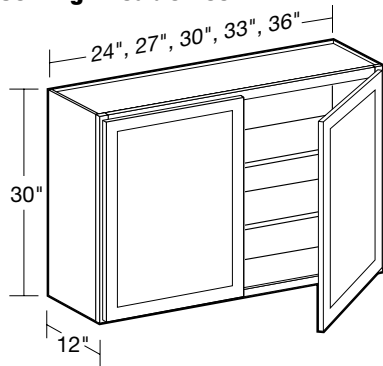


SPECIFY
RIGHT or LEFT HINGED

W0942
***W1242**
***W1542**
***W1842**
W2142

- Three adjustable shelves
- * Mullion doors available in select styles. Consult availability guide on page 14.
- **CUSTOM DEPTH: 5" to 15" deep**

30" High Double Door

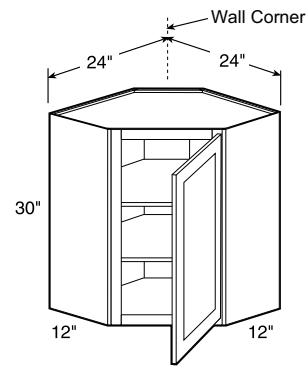


CUSTOM DEPTH

- *W2430
- W2730
- *W3030
- W3330
- *W3630

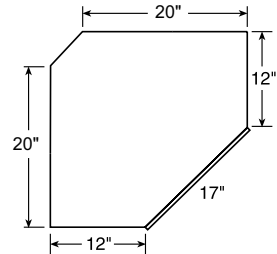
- Two adjustable shelves
- * Mullion doors available in select styles. Consult availability guide on page 14.
- **CUSTOM DEPTH: 5" to 15" deep**

30" High Wall Angle



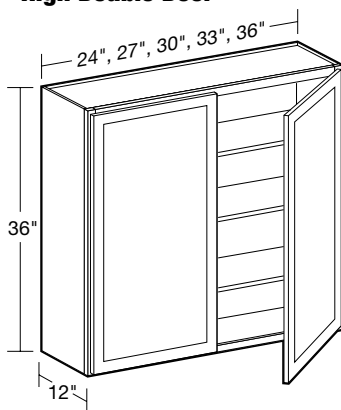
SPECIFY RIGHT or LEFT HINGED

***WA2430**



- Two adjustable shelves
- * Mullion doors available in select styles. Consult availability guide on page 14.
- Clip corner back provides clearance for installation

36" High Double Door

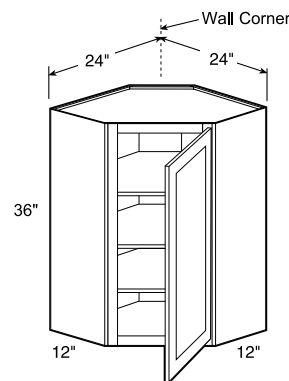


CUSTOM DEPTH

- *W2436
- W2736
- *W3036
- W3336
- *W3636

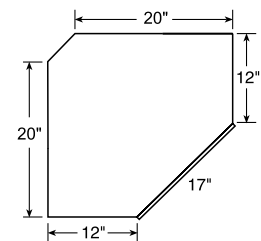
- Three adjustable shelves
- * Mullion doors available in select styles. Consult availability guide on page 14.
- **CUSTOM DEPTH: 5" to 15" deep**

36" High Wall Angle



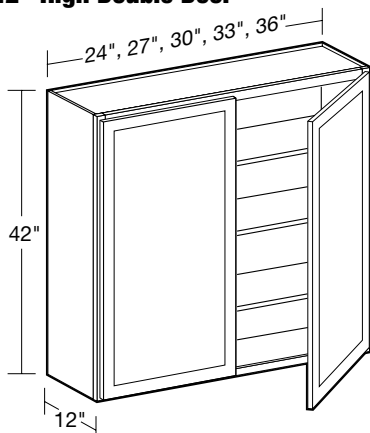
SPECIFY RIGHT or LEFT HINGED

***WA2436**



- Three adjustable shelves
- * Mullion doors available in select styles. Consult availability guide on page 14.
- Clip corner back provides clearance for installation

42" High Double Door

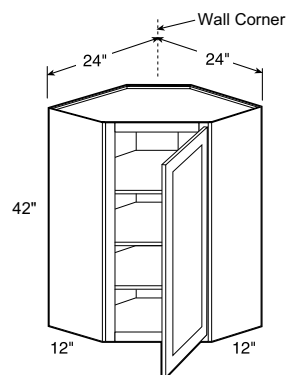


CUSTOM DEPTH

- *W2442
- W2742
- *W3042
- W3342
- *W3642

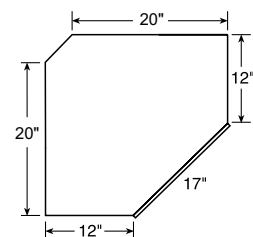
- Three adjustable shelves
- * Mullion doors available in select styles. Consult availability guide on page 14.
- **CUSTOM DEPTH: 5" to 15" deep**

42" High Wall Angle



SPECIFY RIGHT or LEFT HINGED

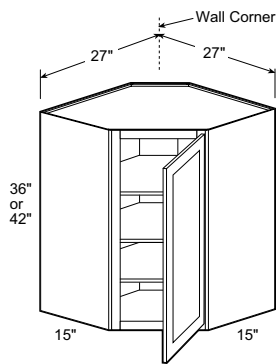
***WA2442**



- Three adjustable shelves
- * Mullion doors available in select styles. Consult availability guide on page 14.
- Clip corner back provides clearance for installation

Wall Cabinets

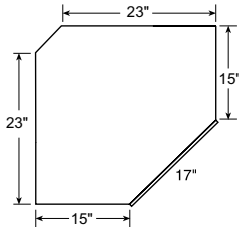
36" and 42" High x 15" Deep Wall Angle



**SPECIFY
RIGHT or LEFT HINGED**

***WA271536**

***WA271542**



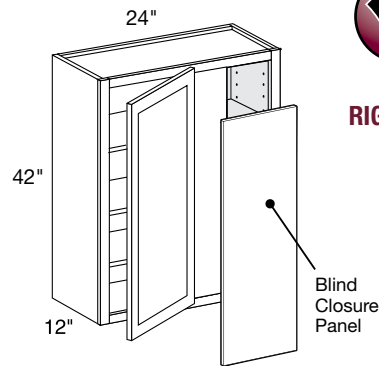
- Three adjustable shelves
- * Mullion doors available in select styles. Consult availability guide on page 14.
- Clip corner back provides clearance for installation

42" High Wall Blind Corner



**SPECIFY
RIGHT or LEFT BLIND**

WBCU2742



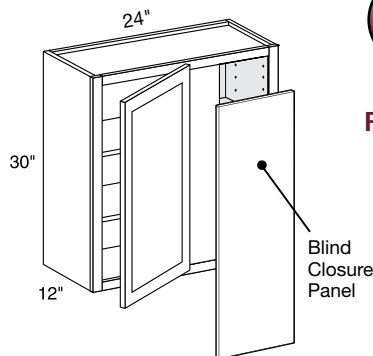
- Three adjustable shelves
- Indicate R or L for blind side (right shown)
- Cabinet can be pulled for exact fit (see installation chart)
- 3" filler & 1/8" blind closure panel included
- **CUSTOM DEPTH: 5" to 15" deep**

30" High Wall Blind Corner



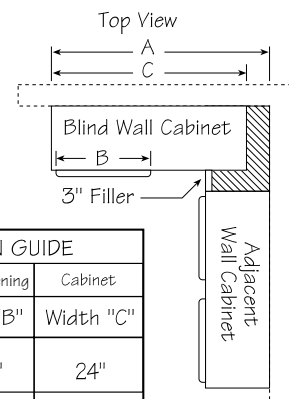
**SPECIFY
RIGHT or LEFT BLIND**

WBCU2730



- Two adjustable shelves
- Indicate R or L for blind side (right shown)
- Cabinet can be pulled for exact fit (see installation guide)
- 3" filler & 1/8" blind closure panel included
- **CUSTOM DEPTH: 5" to 15" deep**

Blind Corner Installation Guide



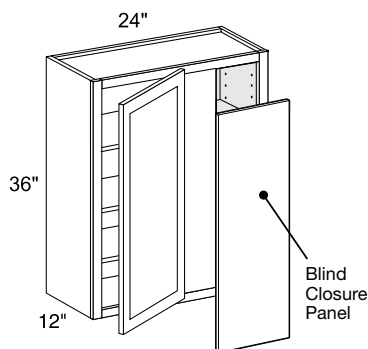
BLIND WALL INSTALLATION GUIDE				
Cabinet	Wall Space "A"		Frame Opening	Cabinet
	Min	Max	Width "B"	Width "C"
WBCU2730	25"	30"	8 ⁷ / ₁₆ "	24"
WBCU2736	25"	30"	8 ⁷ / ₁₆ "	24"
WBCU2742	25"	30"	8 ⁷ / ₁₆ "	24"

36" High Wall Blind Corner



**SPECIFY
RIGHT or LEFT BLIND**

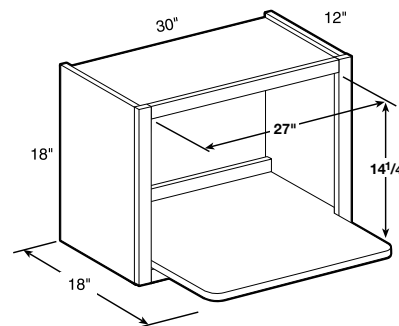
WBCU2736



- Three adjustable shelves
- Indicate R or L for blind side (right shown)
- Cabinet can be pulled for exact fit (see installation guide)
- 3" filler & 1/8" blind closure panel included
- **CUSTOM DEPTH: 5" to 15" deep**

Wall Microwave Shelf

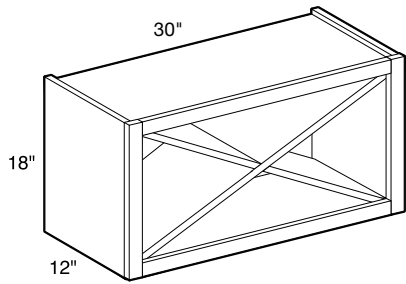
WMS301818



- Matching interior and exterior standard
- Must be installed between two cabinets or cabinet and wall
- Cannot be installed against Wall Angle cabinet (WA) or Wall Blind Corner Unit (WBCU)

12" Deep Wine Rack

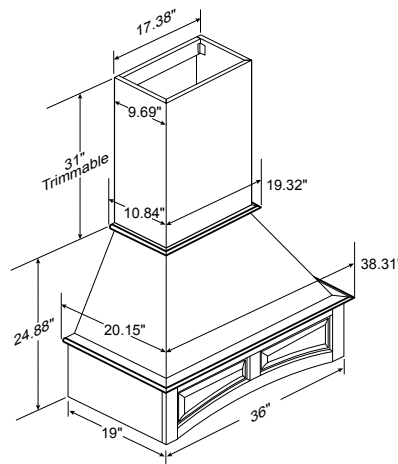
WRX3018



- Matching interior and exterior standard
- 3/4" thick solid wood "X" shelf
- Must be installed between two cabinets or cabinet and wall

Range Hood Combo - Arched Valance

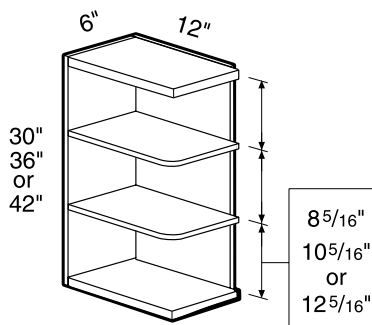
WRHC36A



- Available in 36" width
- Includes Hood, Chimney, Hood Liner and Blower
- Chimney is trimmable to adjust the height
- Blower is 390 CFM, 6.0 sones, enclosed light
- Clearance of 3" on each side is recommended
- Available in BG, CB, TG and PW only

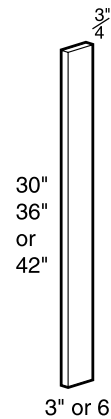
12" Deep Wall End Open Shelf

WEOS630
WEOS636
WEOS642



- Reversible, may be installed left or right
- 1/4" thick wood veneer side is cut back to fit behind frame of adjacent cabinet
- 1 1/4" thick solid wood square corner top and bottom shelves
- 3/4" thick solid wood intermediate shelves

Filler Strips

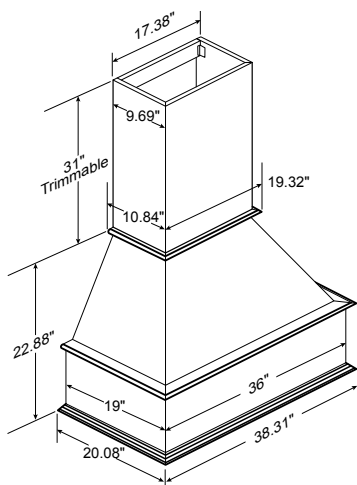


FS30
FS36
FS42
FS630
FS636
FS642

- 3/4" thick solid wood
- Face and all edges finished

Range Hood Combo - Straight Valance

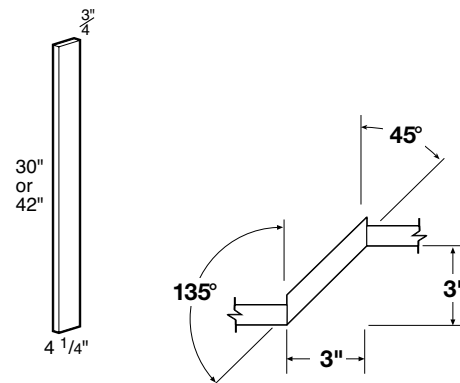
WRHC36S



- Available 36" width
- Includes Hood, Chimney, Hood Liner and Blower
- Chimney is trimmable to adjust the height
- Blower is 390 CFM, 6.0 sones, enclosed light
- Clearance of 3" on each side is recommended
- Available in CN, MG, PW and PG only

Angle Fillers

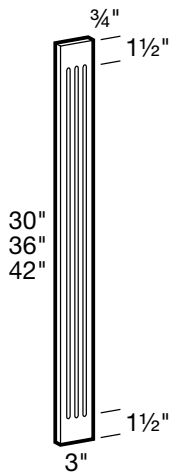
AF330
AF342



- 3/4" thick solid wood
- Face and all edges finished
- Available in all styles except PG

Wall Cabinets

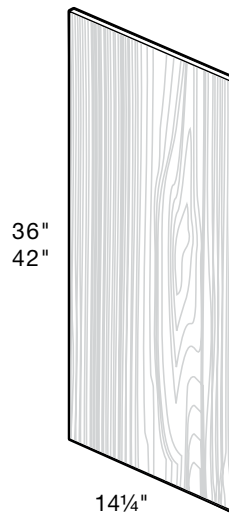
Fluted Fillers



FF330
FF336
FF342

- 3/4" thick solid wood
- Face and all edges finished
- May be trimmed 1/2" each side
- Available in all styles except PG

15" Wide Wall Skin

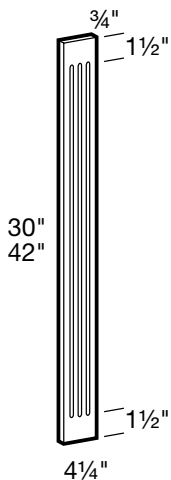


WSK1536
WSK1542

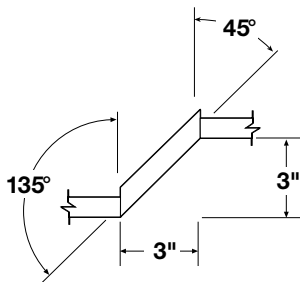
- 3/16" thick
- Field installed
- Matching veneer plywood exterior for wood finishes
 - BG, CB, CN, MG, TG
- Matching painted MDF exterior for painted finishes
 - AW, PG, PW

NOTE: Cannot be used in conjunction with Factory Finished Ends

Angle Fluted Fillers

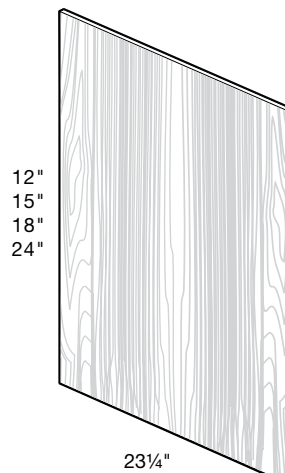


AFF330
AFF342



- 3/4" thick solid wood
- Face and all edges finished
- Available in all styles except PG

24" Wide Wall Skin

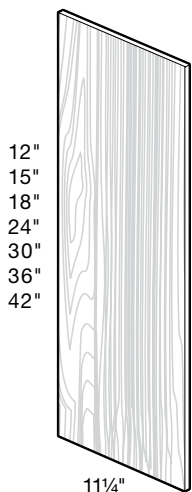


WSK2412
WSK2415
WSK2418
WSK2424

- 3/16" thick
- Field installed
- Matching veneer plywood exterior for wood finishes
 - BG, CB, CN, MG, TG
- Matching painted MDF exterior for painted finishes
 - AW, PG, PW

NOTE: Cannot be used in conjunction with Factory Finished Ends

12" Wide Wall Skin

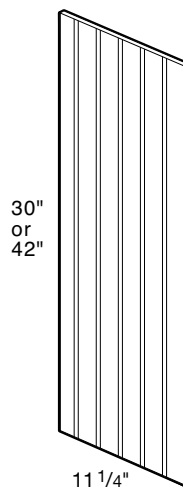


WSK1212 **WSK1224**
WSK1215 **WSK1230**
WSK1218 **WSK1236**
WSK1242

- 3/16" thick
- Field installed
- Matching veneer plywood exterior for wood finishes
 - BG, CB, CN, MG, TG
- Matching painted MDF exterior for painted finishes
 - AW, PG, PW

NOTE: Cannot be used in conjunction with Factory Finished Ends

Wall V-Groove Skin

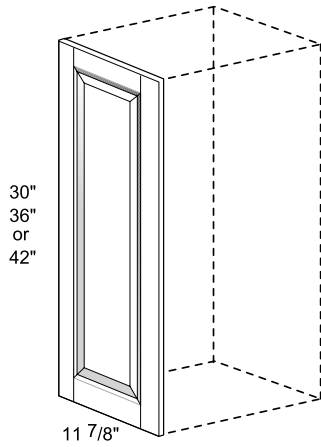


WVGSK30
WVGSK42

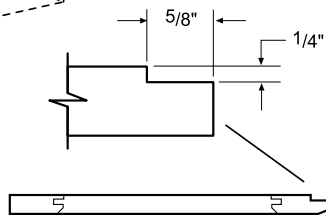
- 3/16" thick v-groove matching exterior
- Grooves spaced 1 1/4" on center
- Field installed
- Matching veneer plywood exterior for wood finishes - CB, CN, MG, TG
- Matching painted MDF exterior for painted finishes - AW, BG, PG, PW

NOTE: Cannot be used in conjunction with Factory Finished Ends

Matching Wall End Panels



MWEP30
MWEP36
MWEP42



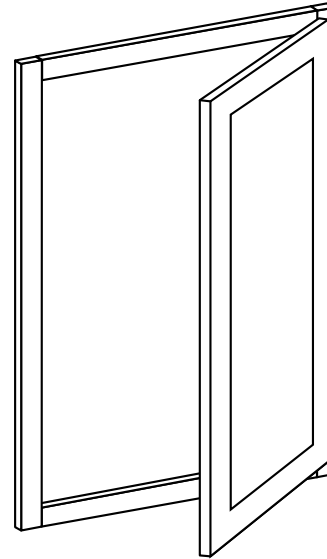
- 3/4" thick
- Field installation
- Panel is for Left or Right application & fits flush against unfinished cabinet sides

NOTE: Cannot be used in conjunction with Factory Finished Ends or Custom Depth Cabinets

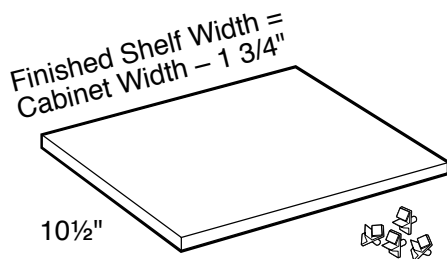
Cabinet Fronts Only (CFO)

Most Wall cabinets can be ordered as "Cabinet Fronts Only". Face frame, doors, hinges and bumpers will be supplied and shipped loose.

Please consult CFO availability guide on page 42.



Shelf Kits



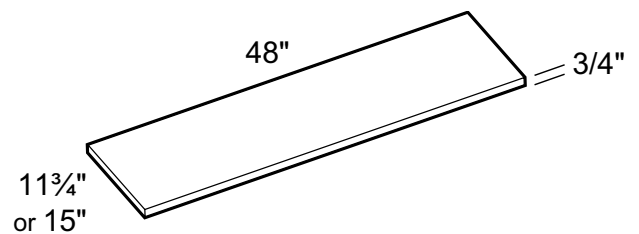
SK1212	SK2112	SK3012
SK1512	SK2412	SK3312
SK1812	SK2712	SK3612

- 3/4" thick plywood faced with light birch veneer finish
- Edgebanded on front edge
- One shelf and set of clips per kit

EXAMPLE: 36" wide wall cabinet uses Shelf Kit SK3612

Wood Furniture Shelf

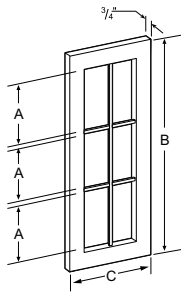
WFS48
WFS4815



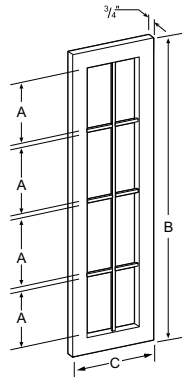
- 3/4" plywood with stained or painted finish
- Two long sides edgebanded

Wall Cabinets

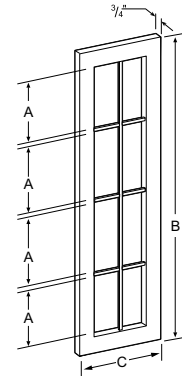
Mullion Door



MD1230
MD1530
MD1830



MD1236
MD1536
MD1836

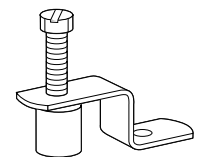


MD1242
MD1542
MD1842

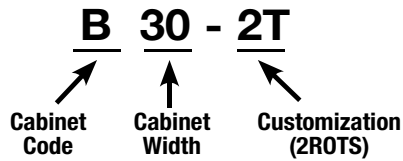
Mullion Door Specification, Availability & Usage Guide

MULLION DOOR SKU	DESCRIPTION	# OF LITES	DIMENSIONS (inches)			DESIGNED TO FIT THESE CABINETS	AVAILABILITY
			A	B	C		
MD1230	12x30 Mullion Door	6	8	29-11/16	11-11/16	W1230, W2430 (x2)	All Styles Except HAW
MD1530	15x30 Mullion Door	6	8	29-11/16	14-11/16	W1530, WA2430, W3030 (x2)	All Styles Except HAW
MD1830	18x30 Mullion Door	6	8	29-11/16	17-11/16	W1830, W3630 (x2)	All Styles Except HAW
MD1236	12x36 Mullion Door	8	7-1/2	35-11/16	11-11/16	W1236, W2436 (x2)	All Styles Except HAW
MD1536	15x36 Mullion Door	8	7-1/2	35-11/16	14-11/16	W1536, WA2436, WA271536, W3036 (x2)	All Styles Except HAW
MD1836	18x36 Mullion Door	8	7-1/2	35-11/16	17-11/16	W1836, W3636 (x2)	All Styles Except HAW
MD1242	12x42 Mullion Door	8	8-3/4	41-11/16	11-11/16	W1242, W2442 (x2)	All Styles Except HAW
MD1542	15x42 Mullion Door	8	8-3/4	41-11/16	14-11/16	W1542, WA2442, WA271542, W3042 (x2)	All Styles Except HAW
MD1842	18x42 Mullion Door	8	8-3/4	41-11/16	17-11/16	W3642 (x2)	All Styles Except HAW

- 3/4" thick door frame with outside profile matching selected door style
- Frame rout accepts various thickness decorative glass
- Mullion doors are slightly smaller in width than standard full overlay doors. When used in double door applications (24", 30" & 36" wide cabinets), hinge spacers are included to insure proper door alignment.
- **Glass is NOT included and must be supplied by customer. Tempered glass is recommended.**
- Glass insert clips included for field installation

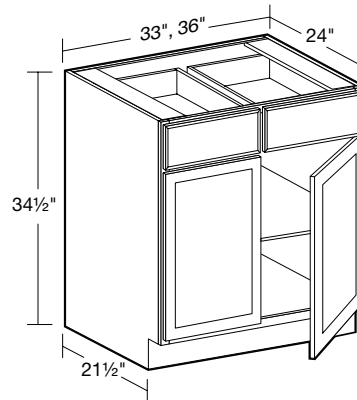


BASE CABINET CODING



- Standard Base Cabinets are 24" deep and 34½" high
- Desk Height base cabinets are 21" deep and 28½" high
- Cabinet depth does not include door thickness
- Products are available in all door styles unless stated otherwise
- Standard cabinet exterior is unfinished veneer, exposed sides require Finished Ends or Matching End Panels

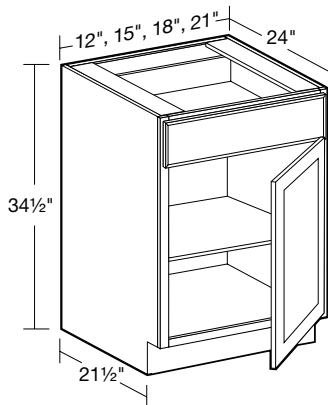
24" Deep Double Door



B33
B36

- One full-depth adjustable shelf
- CUSTOM DEPTH: 9" to 23" deep (9" to 14" deep options have false front & no drawer)**

24" Deep Single Door

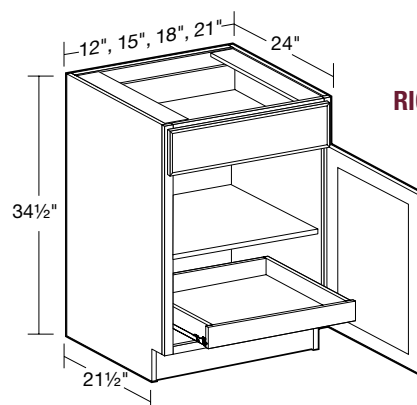


SPECIFY
RIGHT or LEFT HINGED

B12
B15
B18
B21

- One full-depth adjustable shelf
- CUSTOM DEPTH: 9" to 23" deep (9" to 14" deep options have false front & no drawer)**

24" Deep Single Door with 1 Roll-Out Tray

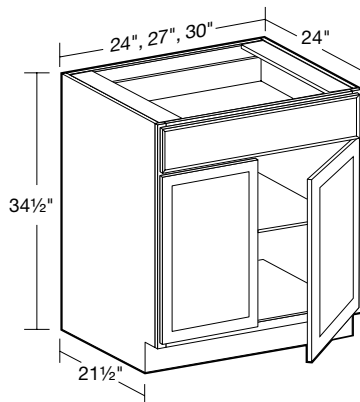


SPECIFY
RIGHT or LEFT HINGED

B12-1T
B15-1T
B18-1T
B21-1T

- One full-depth adjustable shelf
- One full width roll-out tray

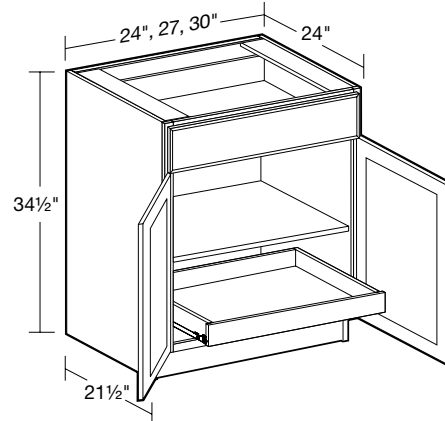
24" Deep Double Door



B24
B27
B30

- One full-depth adjustable shelf
- CUSTOM DEPTH: 9" to 23" deep (9" to 14" deep options have false front & no drawer)**

24" Deep Double Door with 1 Roll-Out Tray

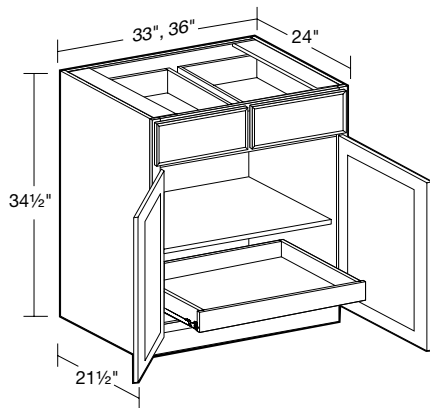


B24-1T
B27-1T
B30-1T

- One full-depth adjustable shelf
- One full width roll-out tray

Base Cabinets

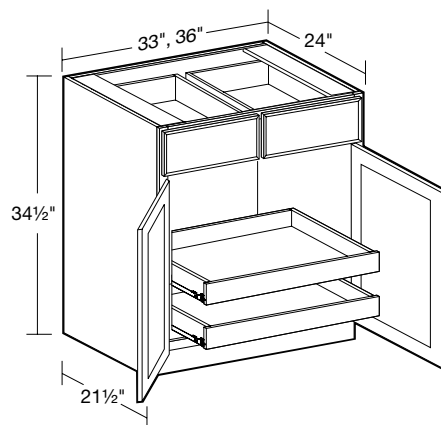
24" Deep Double Door with 1 Roll-Out Tray



B33-1T
B36-1T

- One full-depth adjustable shelf
- One full width roll-out tray

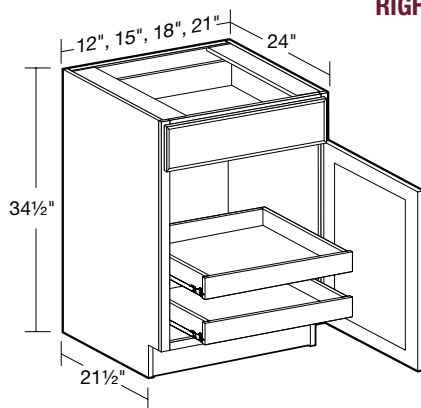
24" Deep Double Door with 2 Roll-Out Trays



B33-2T
B36-2T

- Two full-depth roll-out trays

24" Deep Single Door with 2 Roll-Out Trays

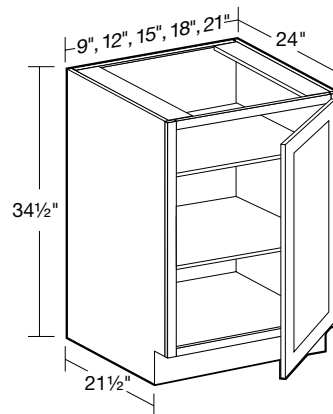


SPECIFY
RIGHT or LEFT HINGED

B12-2T
B15-2T
B18-2T
B21-2T

- Two full width roll-out trays

24" Deep Single Full Height Door

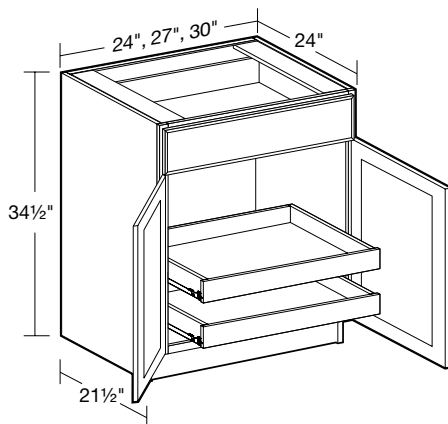


SPECIFY
RIGHT or LEFT HINGED

B09FH
B12FH
B15FH
B18FH
B21FH

- Two full-depth adjustable shelves
- **CUSTOM DEPTH: 9" to 23" deep**

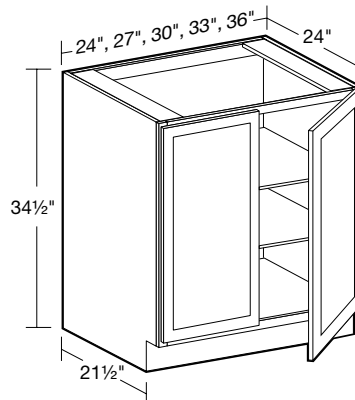
24" Deep Double Door with 2 Roll-Out Trays



B24-2T
B27-2T
B30-2T

- Two full width roll-out trays

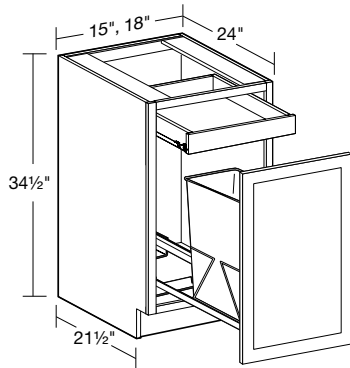
24" Deep Double Full Height Door



B24FH
B27FH
B30FH
B33FH
B36FH

- Two full-depth adjustable shelves
- **CUSTOM DEPTH: 9" to 23" deep**

24" Deep Base Single Wastebasket



B1WB15

B1WB18

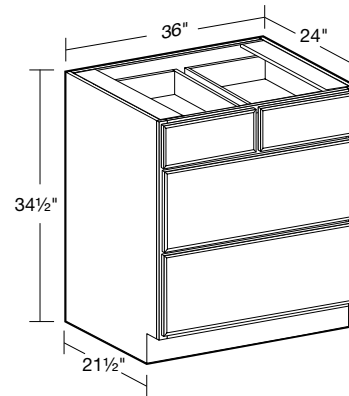
- Basket slides on heavy duty, full extension runners
- 35 quart capacity plastic basket is secured by epoxy coated white wire "cage"
- White basket is removable
- Basket dimensions: 14"W x 10"D x 18"H
- Top mount roll-out tray for trash bag storage

- **SOFT CLOSE DOOR (SCD) OPTION NOT AVAILABLE**

24" Deep Base - 4 Drawers

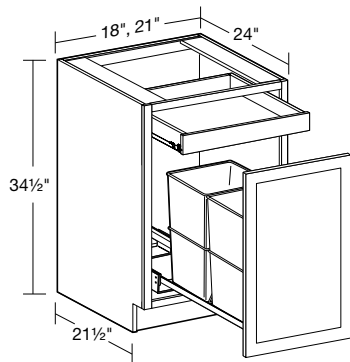


BD36



- Two standard top drawers
- Two deep drawers
- **CUSTOM DEPTH: 15" to 23" deep**

24" Deep Base Double Wastebasket



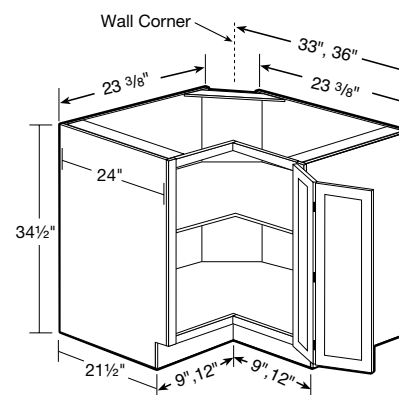
B2WB18

B2WB21

- Baskets slide on heavy duty, full extension runners
- 27 quart capacity plastic baskets (2) are secured by epoxy coated white wire "cage"
- White baskets are removable
- Basket dimensions: 11"W x 11"D x 18"H
- Top mount roll-out tray for trash bag storage

- **SOFT CLOSE DOOR (SCD) OPTION NOT AVAILABLE**

33" and 36" Easy Reach



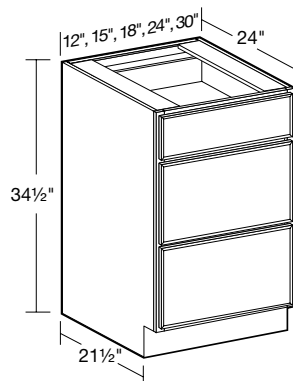
**SPECIFY
RIGHT or LEFT HINGED**

EZR33

EZR36

- One full depth "L" shaped shelf
- Interior shelf **MUST** be installed prior to counter top
- Doors open 170 degrees for easy access
- **SOFT CLOSE DOOR (SCD) OPTION NOT AVAILABLE**

24" Deep Base - 3 Drawers



BD12*

BD15

BD18

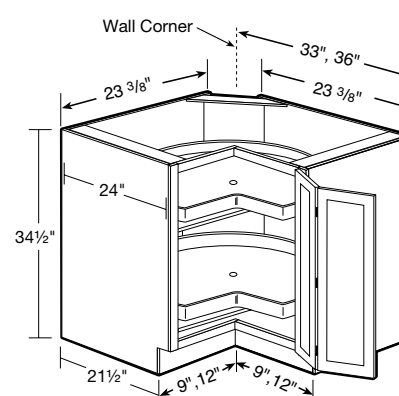
BD24

BD30

- One standard top drawer
- Two deep drawers
- **CUSTOM DEPTH: 15" to 23" deep**

* Maximum drawer handle width for lower drawers is 4" wide for raised panel styles, 5 1/2" wide for recessed panel styles.

33" and 36" Easy Reach Super Suzan



**SPECIFY
RIGHT or LEFT HINGED**

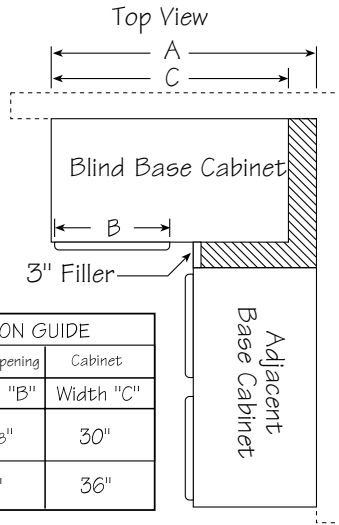
EZR33SS

EZR36SS

- Two 26" or 28" diameter, pie-cut independently revolving all wood shelves
- Doors open 170 degrees for easy access
- **SOFT CLOSE DOOR (SCD) OPTION NOT AVAILABLE**

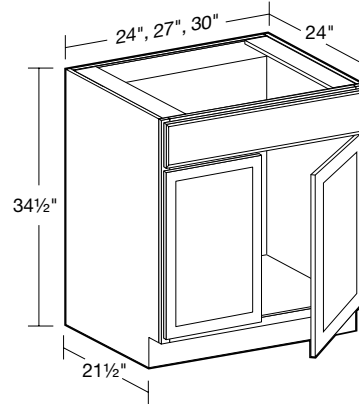
Base Cabinets

Blind Base Corner Installation



BLIND BASE INSTALLATION GUIDE				
Cabinet	Wall Space "A"		Frame Opening	Cabinet
	Min	Max	Width "B"	Width "C"
BBCU39	39"	42"	8 7/8"	30"
BBCU42	42"	45"	12"	36"

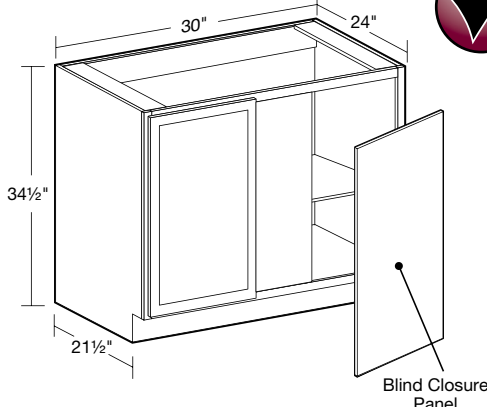
24" Deep Sink Base



SB24
SB27
SB30

- No shelf, false drawer front
- May also be used as drop-in cooktop base
- **CUSTOM DEPTH: 9" to 23" deep**

24" Deep Blind Base Corner

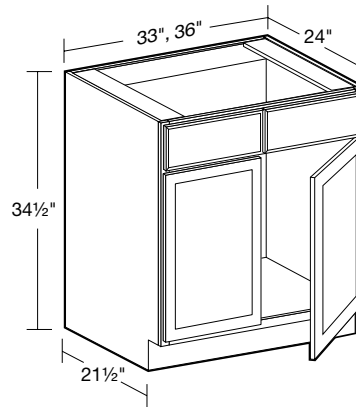


SPECIFY RIGHT or LEFT BLIND

BBCU39

- Indicate R or L for blind side (right shown)
- Cabinet can be pulled for exact fit (see installation chart)
- 3" filler & 1/8" blind closure panel included
- **CUSTOM DEPTH: 9" to 23" deep**

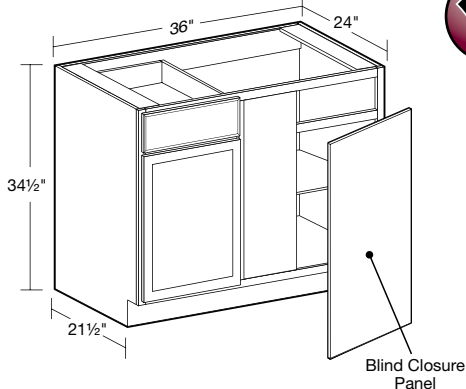
24" Deep Sink Base



SB33
SB36

- No shelf, two false drawer fronts
- May also be used as drop-in cooktop base
- **CUSTOM DEPTH: 9" to 23" deep**

24" Deep Blind Base Corner

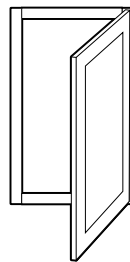


SPECIFY RIGHT or LEFT BLIND

BBCU42

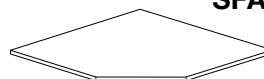
- Indicate R or L for blind side (right shown)
- Cabinet can be pulled for exact fit (see installation chart)
- 3" filler & 3/16" blind closure panel included
- **CUSTOM DEPTH: 9" to 23" deep (9" to 14" deep options have false front & no drawer)**

Sink Front Angle



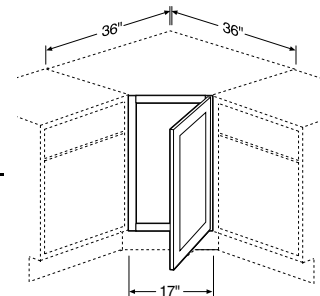
FACE FRAME & DOOR

SFA36



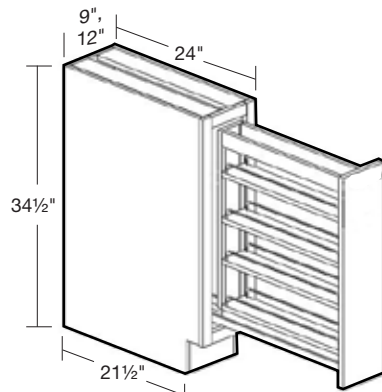
CORNER FLOOR

SFAF36



- Angle sink front must be installed between two cabinets
- Frame/door can be installed with hinges on right or left
- Floor support and toe base must be field constructed
- Maximum sink width for this application 25 3/4"

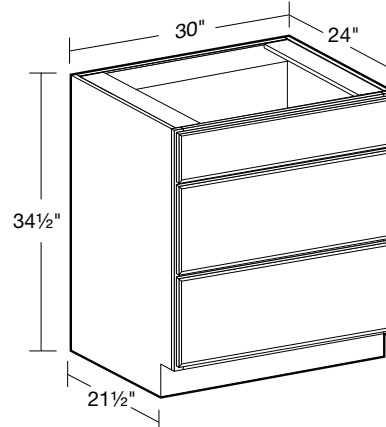
24" Deep Base Pantry Pullout



**BPPO9
BPPO12**

- Available in 9" & 12" width cabinets
- Full extension ball bearing slides provide stable, smooth pullout function
- Adjustable shelves with chrome rails

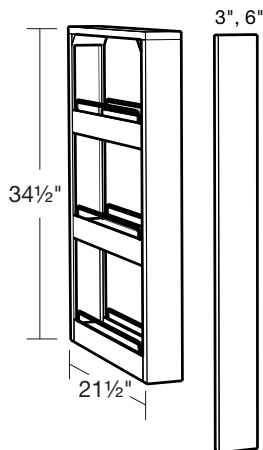
24" Deep Base Cooktop - Single False Front



BCT30

- False top drawer front
- Two deep drawers
- Accepts drop-in cooktop

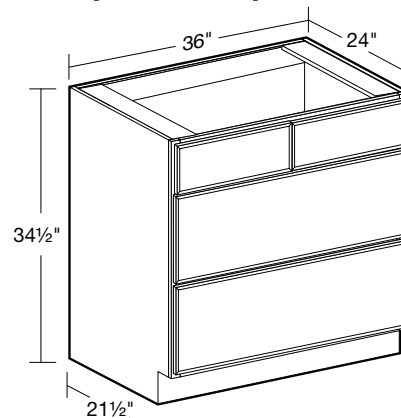
24" Deep Filler Pantry Pullout



**BFPO3
BFPO6**

- Available in 3" & 6" widths with matching Filler Strip
- Full extension ball bearing slides provide stable, smooth pullout function
- Adjustable shelves with chrome rails
- Pull-out unit must be installed between two cabinets
- Filler strip attached to pull-out unit after installation

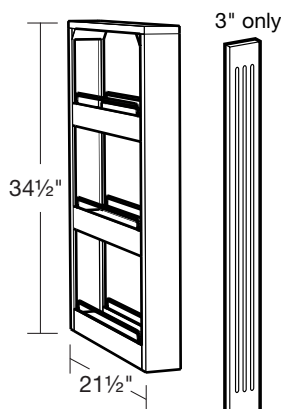
24" Deep Base Cooktop - Double False Front



BCT36

- False top drawer fronts
- Two deep drawers
- Accepts drop-in cooktop

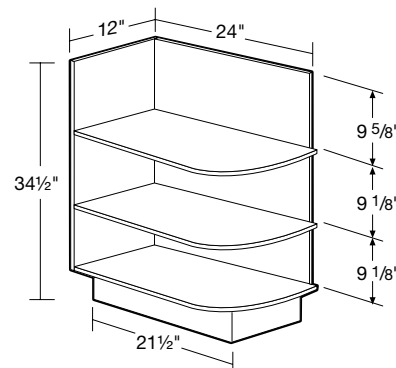
24" Deep Fluted Filler Pantry Pullout



BFFPO3

- Available in 3" width only with matching Fluted Filler Strip
- Full extension ball bearing slides provide stable, smooth pullout function
- Adjustable shelves with chrome rails
- Pull-out unit must be installed between two cabinets
- Fluted Filler Strip attached to pull-out unit after installation
- Available in all styles except PG

24" Deep Base End Shelf



**SPECIFY
RIGHT or LEFT
(left shown)**

BEOS12

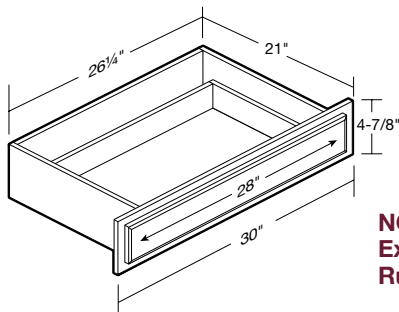
- 3/16" thick wood veneer side and 1/2" thick solid wood back panel
- 3/4" thick solid wood shelves
- 3/16" thick wood veneer side is cut back to fit behind frame of adjacent cabinet

NOTE: Cannot be used in conjunction with Factory Finished Ends

Base Cabinets

21" Deep Desk Knee Drawer

DKD30

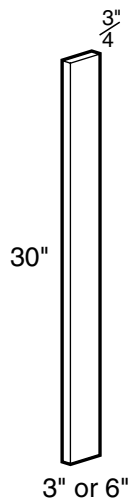


NOTE: Full Extension Soft-Close Runner Not Available

- One full width pencil/cosmetic drawer
- Knee drawer is designed for use between two desk base cabinets
- Comfortable height for dressing table or writing surface when installed at 28 1/2" height with 1 1/2" thick countertop
- Slab drawer front all door styles
- May be trimmed up to 1" on each side

Filler Strips

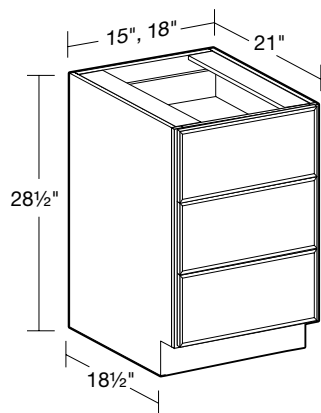
**FS30
FS630**



- 3/4" thick solid wood
- Face and all edges finished

21" Deep Desk Drawer

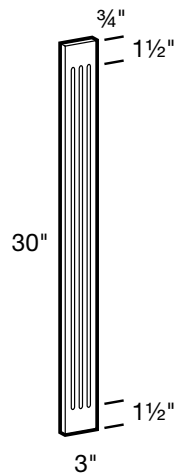
**DDR15
DDR18**



- Three standard drawers
- Comfortable height for dressing table or writing surface
- Matching exterior standard

Fluted Fillers

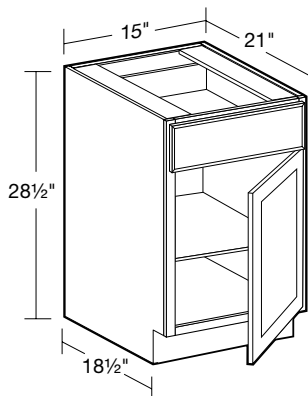
FF330



- 3/4" thick solid wood
- Face and all edges finished
- May be trimmed 1/2" each side
- Available in all styles except PG

21" Deep Desk Door

**SPECIFY
RIGHT or LEFT HINGED
DDO15**

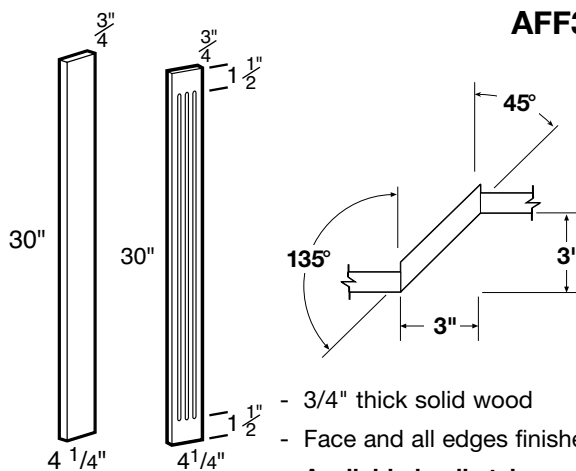


- One adjustable shelf
- Comfortable height for dressing table or writing surface
- Matching exterior standard

Angle Filler

Angle Fluted Filler

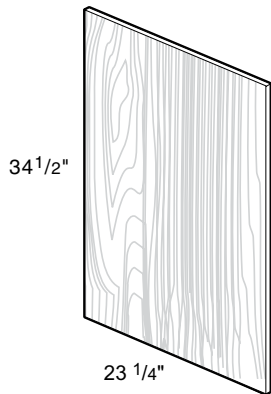
**AF330
AFF330**



- 3/4" thick solid wood
- Face and all edges finished
- Available in all styles except PG

Base Skin

BSK345

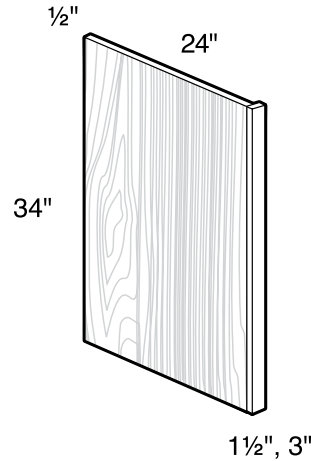


- 3/16" thick
- Field modified and installed
- Matching veneer plywood exterior for wood finishes
 - BG, CB, CN, MG, TG
- Matching painted MDF exterior for painted finishes
 - AW, PG, PW

NOTE: Cannot be used in conjunction with Factory Finished Ends

24" Deep End Panel with Filler

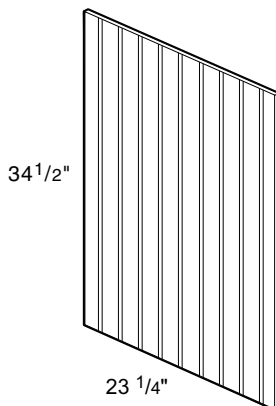
BEP1.5



- 1/2" and 3" solid wood filler included
- Panel and fillers supplied loose for field assembly
- Reversible, may be installed left or right
- 1/2" thick matching veneer interior and exterior

Base V-Groove Skin

BVGSK345

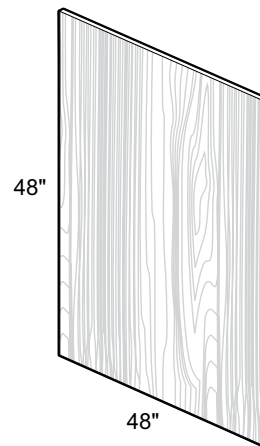


- 3/16" thick v-groove matching exterior
- Grooves spaced 1 1/4" on center
- Field modified and installed
- Matching veneer plywood exterior for wood finishes
 - CB, CN, MG, TG
- Matching painted MDF exterior for painted finishes
 - AW, BG, PG, PW

NOTE: Cannot be used in conjunction with Factory Finished Ends

Island Skin

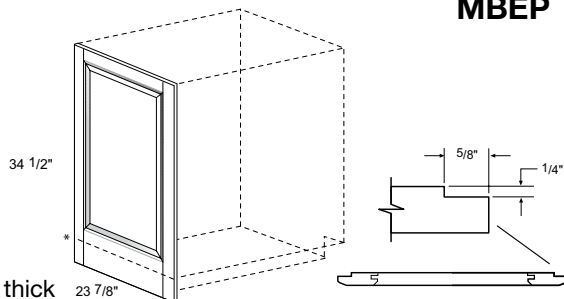
ISK4848



- 3/16" thick
- Field modified and installed
- Matching veneer plywood exterior for wood finishes
 - BG, CB, CN, MG, TG
- Matching painted MDF exterior for painted finishes
 - AW, PG, PW

Matching Base End Panel

MBEP



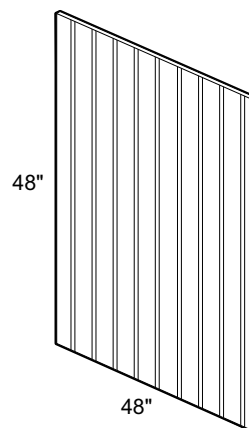
- 3/4" thick
- Field installation
- Panel is for Left or Right application & fits flush against unfinished cabinet sides

* **BPW, LCB, LCN, LTG & RMG are 2-piece construction**

NOTE: Cannot be used in conjunction with Factory Finished Ends or Custom Depth Cabinets

Island V-Groove Skin

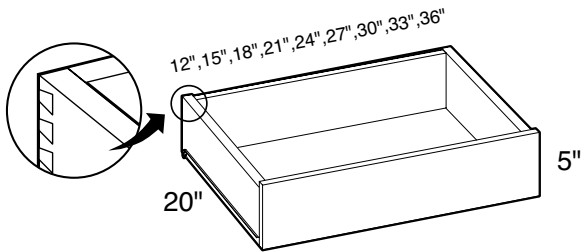
IVGSK4848



- 3/16" thick v-groove matching exterior
- Grooves spaced 1 1/4" on center
- Field modified and installed
- Matching veneer plywood exterior for wood finishes
 - CB, CN, MG, TG
- Matching painted MDF exterior for painted finishes
 - AW, BG, PG, PW

Base Cabinets

Rollout Tray Kits

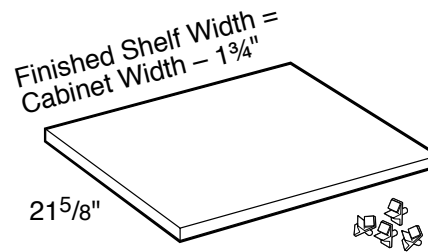


ROT12	ROT21	ROT30
ROT15	ROT24	ROT33
ROT18	ROT27	ROT36

- 5/8" solid wood dovetail construction
- Consult availability guide
- Includes 3/4" extension epoxy coated smooth-glide edge mounted runners
- 75 lb. load capacity
- Available for use base and tall cabinets
- Field-install into factory pre-drilled locations only
- Not for use in custom-depth cabinetry

ROLL-OUT TRAY KIT AVAILABILITY GUIDE		
PART#	DESIGNED TO FIT	ACTUAL WIDTH
ROT12	B12, B12FH	8"
ROT15	B15, B15FH	11"
ROT18	B18, B18FH, U182484 / 90 / 96	14"
ROT21	B21, B21FH	17"
ROT24	B24, B24FH, SB24, U242484 / 90 / 96	20"
ROT27	B27, B27FH, SB27	23"
ROT30	B30, B30FH, SB30	26"
ROT33	B33, B33FH, SB33	29"
ROT36	B36, B36FH, SB36	32"

Shelf Kits

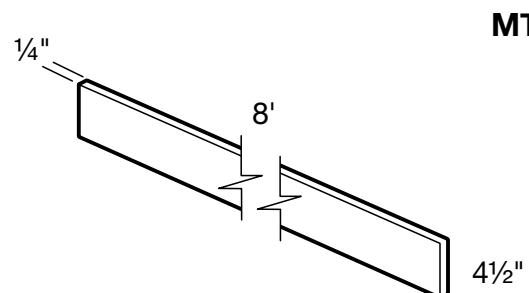


SK1224	SK2124	SK3024
SK1524	SK2424	SK3324
SK1824	SK2724	SK3624

- 3/4" thick plywood faced with light birch veneer finish
- Edgebanded on front edge
- One shelf and set of clips per kit
- Consult availability guide

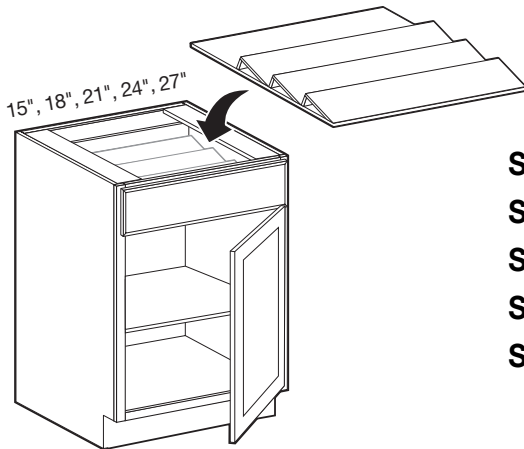
SHELF KIT AVAILABILITY GUIDE		
PART#	DESIGNED TO FIT	ACTUAL WIDTH
SK1224	B12, B12FH	10 1/4"
SK1524	B15, B15FH	13 1/4"
SK1824	B18, B18FH, U182484/96	16 1/4"
SK2124	B21, B21FH	19 1/4"
SK2424	B24, B24FH, SB24, U242484 / 90 / 96	22 1/4"
SK2724	B27, B27FH, SB27	25 1/4"
SK3024	B30, B30FH, SB30, BBCU39	28 1/4"
SK3324	B33, B33FH, SB33, OC332484U / 90U / 96U	31 1/4"
SK3624	B36, B36FH, SB36, BBCU42	34 1/4"

Matching Toe Kick 8'



- 1/4" thick wood veneer

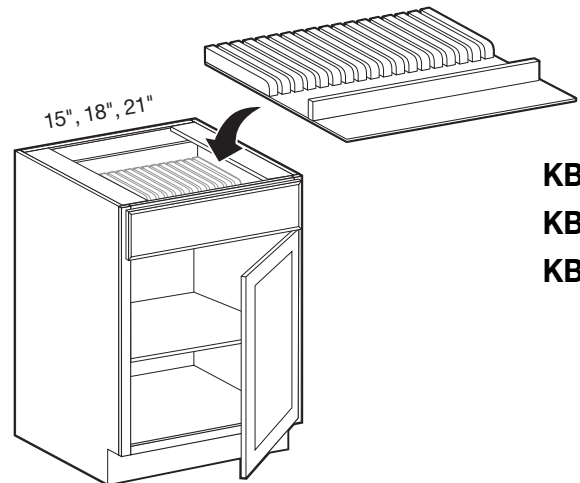
Spice Drawer Insert



SDI15
SDI18
SDI21
SDI24
SDI27

- Solid hardwood drawer insert
- Three 5" high angled tiers
- Rear 4" deep compartment
- Sized to fit inside 15", 18", 21", 24", 27" wide drawers
- Not for use in custom-depth cabinetry

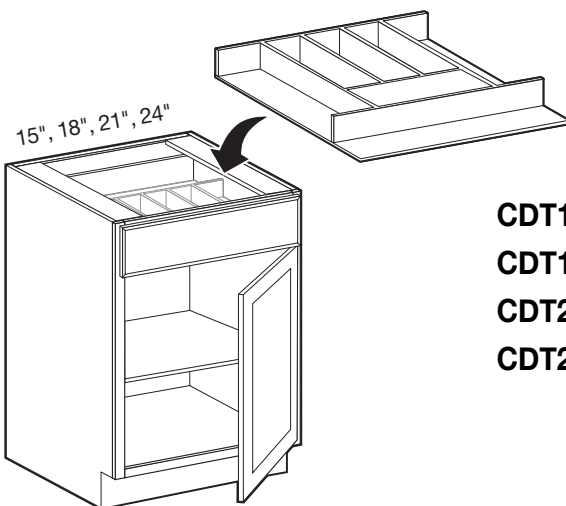
Knife Block Insert



KBI15
KBI18
KBI21

- Solid hardwood drawer insert
- One full width front utensil compartment
- KBI15 - 10 knife slots + utensil compartment (fits B15, BD15)
- KBI18 - 13 knife slots + utensil compartment (fits B18, BD18, B36)
- KBI21 - 16 knife slots + utensil compartment (fits B21)
- Not for use in custom-depth cabinetry

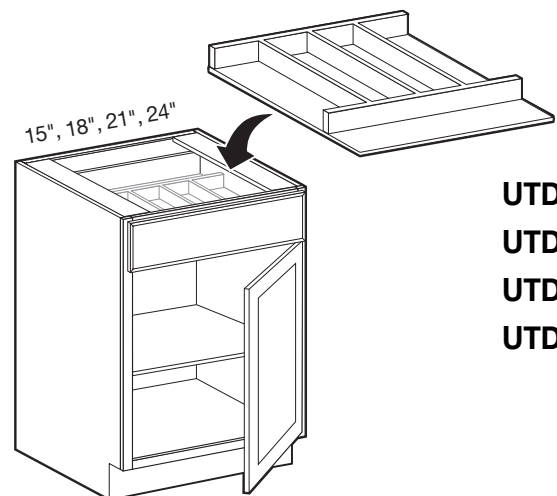
Cutlery Divider Tray



CDT15
CDT18
CDT21
CDT24

- Solid hardwood drawer insert
- One full width front utensil compartment
- CDT15 - 6 compartments 10"-14" deep (fits B15, BD15)
- CDT18 - 6 compartments 10"-14" deep (fits B18, BD18, B36)
- CDT21 - 8 compartments 10"-14" deep (fits B21)
- CDT24 - 8 compartments 10"-14" deep (fits B24, BD24)
- Not for use in custom-depth cabinetry

Utensil Divider Tray



UTD15
UTD18
UTD21
UTD24

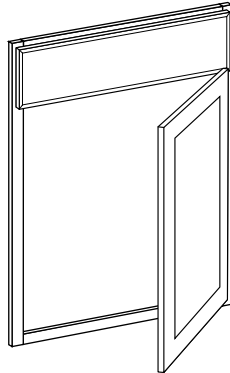
- Solid hardwood drawer insert
- One full width front utensil compartment
- UTD15 - 2 additional compartments 16" deep (fits B15, BD15)
- UTD18 - 4 additional compartments 16" deep (fits B18, BD18, B36)
- UTD21 - 5 additional compartments 16" deep (fits B21)
- UTD24 - 5 additional compartments 16" deep (fits B24, BD24)
- Not for use in custom-depth cabinetry

Base Cabinets

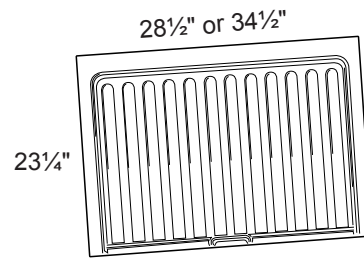
Cabinet Fronts Only (CFO)

Most Base cabinets can be ordered as "Cabinet Fronts Only". Face frame, doors, drawer fronts, hinges, and bumpers will be supplied and shipped loose. In addition, plastic corner blocks will be supplied for false front installation requirements.

Please consult CFO availability guide on page 42.



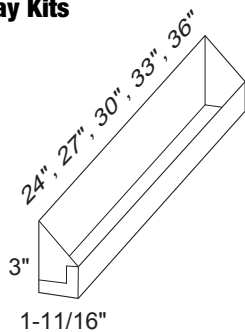
Sink Base Liner



SBL2730
SBL3336

- Helps protect sink cabinet from damage due to leaks in piping or drains
- Sleek surface for easy cleanup
- SBL2730 can be trimmed to fit SB27 or SB30
- SBL3336 can be trimmed to fit SB33 or SB36
- Field installed
- Grey polystyrene easy to clean surface
- Not for use in custom-depth cabinetry

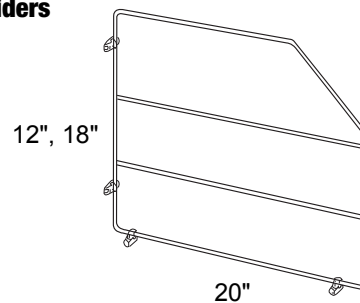
Tilt-out Tray Kits



SBTOTK24
SBTOTK27
SBTOTK30
SBTOTK33 *
SBTOTK36 *

- Kit attaches to sink base false drawer front to create tilt-out drawer
- Holds sponges, scouring pads, dish soaps, etc.
- Stainless steel construction
- Field installed prior to countertop
- * Two trays included to fit double false fronts

Tray Dividers

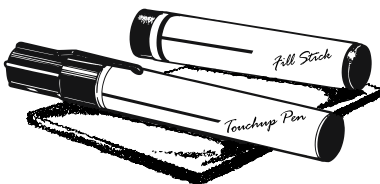


TD12CR
TD18CR

- Available in 12" & 18" heights
- Chrome finish
- Stores baking sheets, serving dishes, etc.
- Comes with 4 clips & fasteners
- Attaches to cabinet middle or bottom shelf
- Field installed
- Not for use in custom-depth cabinetry

Touch-Up Kit

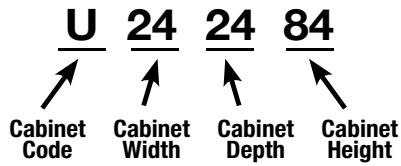
TUK



- Includes fill stick, touch-up pen, and 4-door bumpers

PLEASE NOTE: Line drawings are artistic representations of products for general dimensioning purposes. These should not be relied upon for accurate product appearance. Please consult the website or a designer if you have any questions or specific design requirements.

TALL CABINET CODING



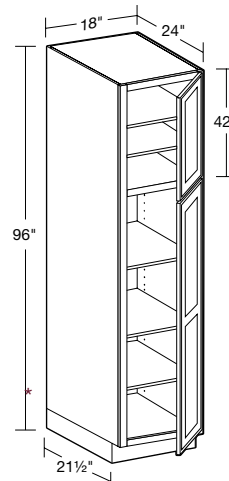
- Standard Tall Cabinets are 24" deep
- Add door thickness for total cabinet depth
- Products are available in all door styles unless stated otherwise
- Standard cabinet exterior is unfinished veneer, exposed sides require Finished Ends

24" Deep Two Door Utility



**SPECIFY
RIGHT or LEFT HINGED**

U182496



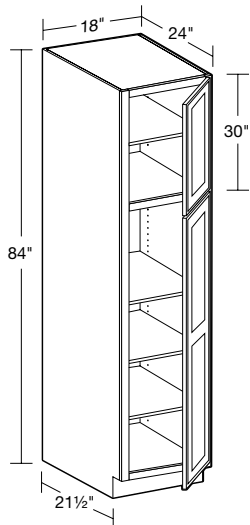
- One fixed shelf dividing upper and lower doors, five adjustable shelves
- Optional rollout trays or additional shelves available
- * Loose toe kick box for ease of installation
- Exposed sides require TSK96
- Factory finish ends not available
- **CUSTOM DEPTH: 9" to 23" deep**

24" Deep Two Door Utility



**SPECIFY
RIGHT or LEFT HINGED**

U182484

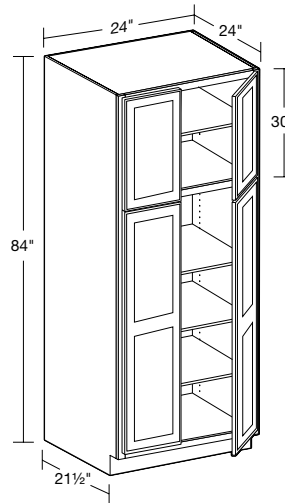


- One fixed shelf dividing upper and lower doors, four adjustable shelves
- Optional rollout trays or additional shelves available
- Exposed sides require TSK84
- **CUSTOM DEPTH: 9" to 23" deep**

24" Deep Four Butt Door Utility



U242484



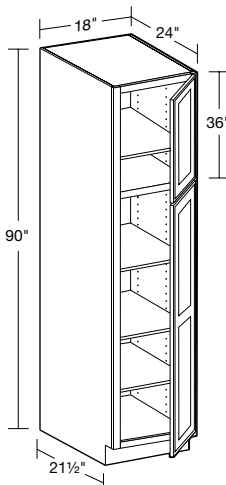
- One fixed shelf dividing upper and lower doors, four adjustable shelves
- Optional rollout trays or additional shelves available
- Exposed sides require TSK84
- **CUSTOM DEPTH: 9" to 23" deep**

24" Deep Two Door Utility



**SPECIFY
RIGHT or LEFT HINGED**

U182490

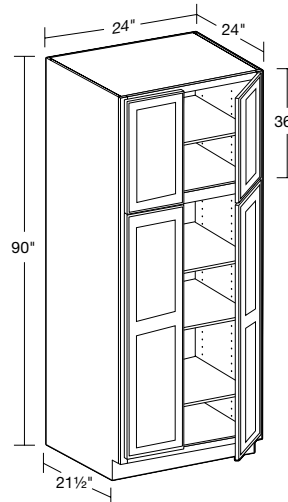


- One fixed shelf dividing upper and lower doors, four adjustable shelves
- Optional rollout trays or additional shelves available
- Exposed sides require TSK90
- **CUSTOM DEPTH: 9" to 23" deep**

24" Deep Four Butt Door Utility



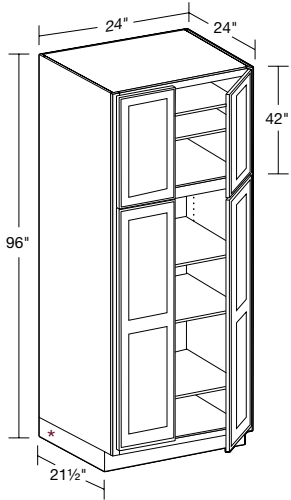
U242490



- One fixed shelf dividing upper and lower doors, four adjustable shelves
- Optional rollout trays or additional shelves available
- Exposed sides require TSK90
- **CUSTOM DEPTH: 9" to 23" deep**

Tall Cabinets

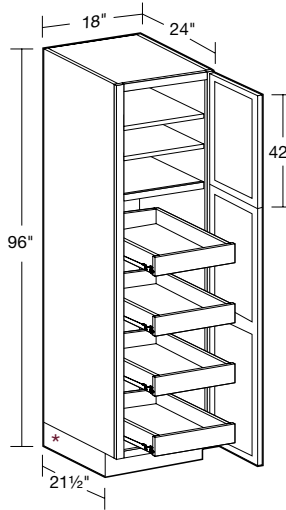
24" Deep Four Butt Door Utility



- One fixed shelf dividing upper and lower doors, five adjustable shelves
- Optional rollout trays or additional shelves available
- * Loose toe kick box for ease of installation
- Exposed sides require TSK96
- Factory finish ends not available
- **CUSTOM DEPTH: 9" to 23" deep**

24" Deep Two Door Utility with Four Rollout Trays

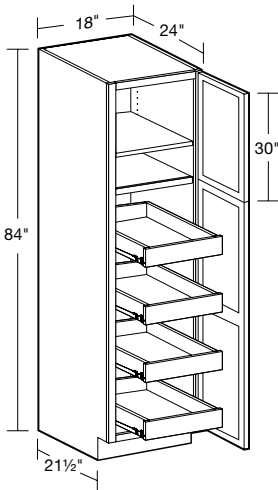
**SPECIFY
RIGHT or LEFT HINGED
U182496-4T**



- One fixed shelf
- Four repositionable, full width rollout trays
- Two adjustable shelves
- * Loose toe kick box for ease of installation
- Exposed sides require TSK96
- Factory finish ends not available

24" Deep Two Door Utility with Four Rollout Trays

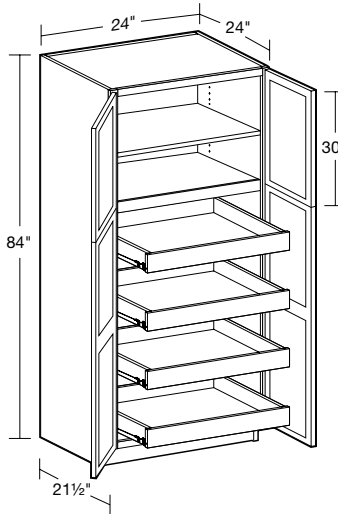
**SPECIFY
RIGHT or LEFT HINGED
U182484-4T**



- One fixed shelf dividing upper and lower doors
- Four repositionable, full width rollout trays
- One adjustable shelf
- Exposed sides require TSK84

24" Deep Four Butt Door Utility with Four Rollout Trays

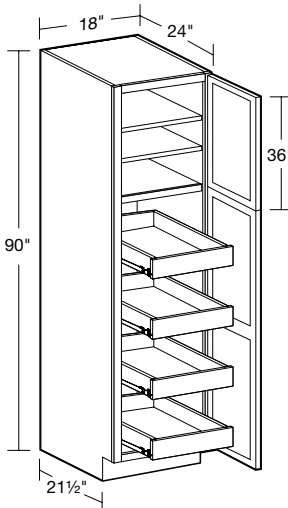
U242484-4T



- One fixed shelf dividing upper and lower doors
- Four repositionable, full width rollout trays
- One adjustable shelf
- Exposed sides require TSK84

24" Deep Two Door Utility with Four Rollout Trays

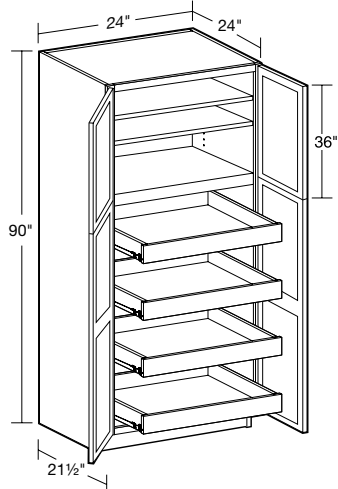
**SPECIFY
RIGHT or LEFT HINGED
U182490-4T**



- One fixed shelf dividing upper and lower doors
- Four repositionable, full width rollout trays
- Two adjustable shelves
- Exposed sides require TSK90

24" Deep Four Butt Door Utility with Four Rollout Trays

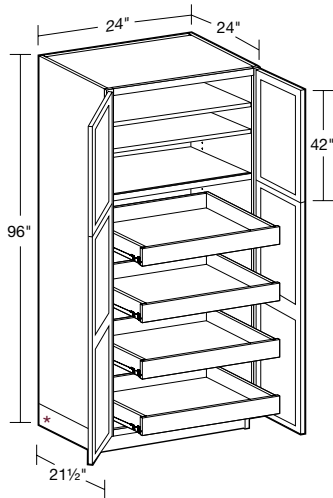
U242490-4T



- One fixed shelf dividing upper and lower doors
- Four repositionable, full width rollout trays
- Two adjustable shelves
- Exposed sides require TSK90

24" Deep Four Butt Door Utility with Four Rollout Trays

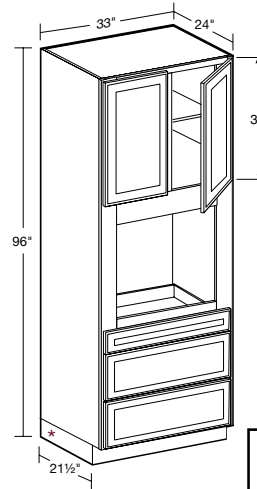
U242496-4T



- One fixed shelf dividing upper and lower doors
- Four repositionable, full width rollout trays
- Two adjustable shelves
- * Loose toe kick box for ease of installation
- Exposed sides require TSK96
- Factory finish ends not available

24" Deep Universal Oven

OC332496U

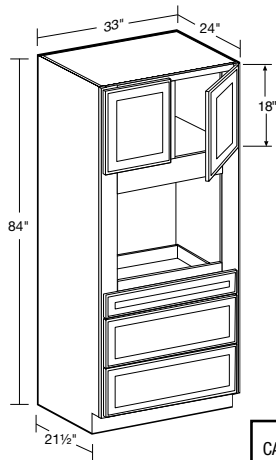


- Consult chart for oven cutout dimensions
- One adjustable shelf
- 3 field removable drawers
- 3" stiles in oven compartment
- * Loose toe kick box for ease of installation
- Exposed sides require TSK96
- Factory finish ends not available
- For frame openings refer to page 40

CABINET	MIN. CUTOUT WIDTH	MAX CUTOUT WIDTH	MIN. CUTOUT HEIGHT	MAX CUTOUT HEIGHT
OC332496U	27"	31"	22"	60"

24" Deep Universal Oven

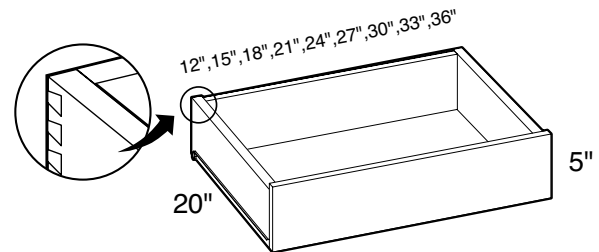
OC332484U



- Consult chart for oven cutout dimensions
- No adjustable shelf
- 3 field removable drawers
- 3" stiles in oven compartment
- Exposed sides require TSK84
- For frame openings refer to page 40

CABINET	MIN. CUTOUT WIDTH	MAX CUTOUT WIDTH	MIN. CUTOUT HEIGHT	MAX CUTOUT HEIGHT
OC332484U	27"	31"	22"	60"

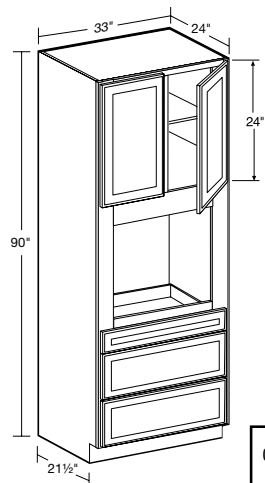
Rollout Tray Kits



ROT12 **ROT21** **ROT30**
ROT15 **ROT24** **ROT33**
ROT18 **ROT27** **ROT36**

24" Deep Universal Oven

OC332490U



- Consult chart for oven cutout dimensions
- One adjustable shelf
- 3 field removable drawers
- 3" stiles in oven compartment
- Exposed sides require TSK90
- For frame openings refer to page 40

CABINET	MIN. CUTOUT WIDTH	MAX CUTOUT WIDTH	MIN. CUTOUT HEIGHT	MAX CUTOUT HEIGHT
OC332490U	27"	31"	22"	60"

- 5/8" solid wood dovetail construction
- Consult availability guide
- Includes 3/4 extension epoxy coated smooth-glide edge mounted runners
- 75 lb. load capacity

ROLL-OUT TRAY KIT AVAILABILITY GUIDE	
SKU	DESIGNED TO FIT
ROT18	B18, B18FH, U182484 / 90 / 96
ROT24	B24, B24FH, SB24, U242484 / 90 / 96

Tall Cabinets

Shelf Kits

Finished Shelf Width =
Cabinet Width - 1 3/4"

21 5/8"



SK1824

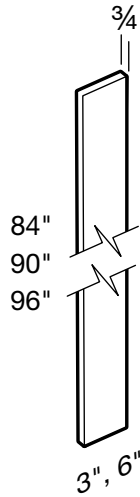
SK2424

SK3324

- 3/4" thick plywood faced with light birch veneer finish
- Edgebanded on front edge
- One shelf and set of clips per kit

EXAMPLE: 18" wide tall cabinet uses Shelf Kit SK1824

Tall Filler Strips



FS84

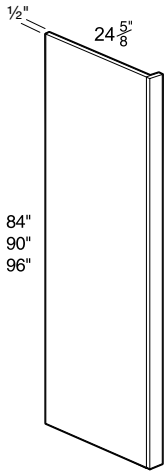
FS90

FS96

FS696

- 3/4" thick solid wood
- Face and all edges finished

24" Deep Refrigerator Panel



1 1/2", 3"

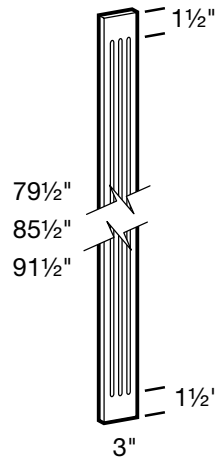
RP84

RP90

RP96

- 1 1/2" & 3" wide fillers included
- Panel and Fillers supplied loose for field assembly
- Reversible, may be installed left or right
- 1/2" thick veneer matching exterior/interior
- Filler may be scribed up to 5/8"

Fluted Fillers



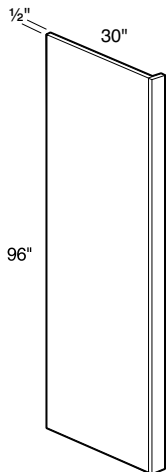
FF79

FF85

FF91

- 3/4" thick solid wood
- Face and all edges finished
- **Available in all styles except PG**

30" Deep Universal Refrigerator Panel

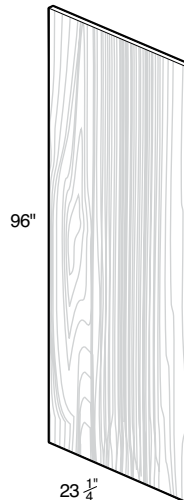


1 1/2", 3"

RP3096

- 1 1/2" and 3" wide fillers included
- Panel and Fillers supplied loose for field assembly
- Reversible, may be installed left or right
- Trimmable for 84" and 90" applications
- 1/2" thick matching veneer exterior/interior
- Filler may be scribed up to 5/8"

Tall Skin



TSK84

TSK90

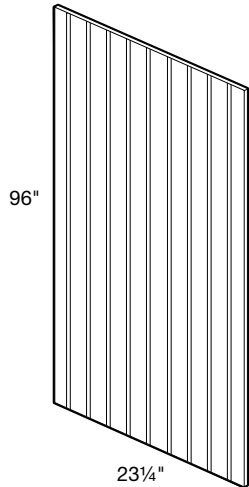
TSK96

- 3/16" thick
- Field modified and installed
- Matching veneer plywood exterior for wood finishes
 - BG, CB, CN, MG, TG
- Matching painted MDF exterior for painted finishes
 - AW, PG, PW

NOTE: Cannot be used in conjunction with Factory Finished Ends

Tall V-Groove Skin

TVGSK96



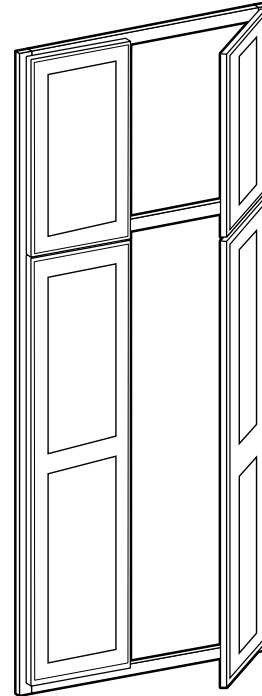
- 3/16" thick v-groove matching exterior
- Grooves spaced 1 1/4" on center
- Field modified and installed
- Matching veneer plywood exterior for wood finishes - CB, CN, MG, TG
- Matching painted MDF exterior for painted finishes - AW, BG, PG, PW
- Trimmable for 84" and 90" applications

NOTE: Cannot be used in conjunction with Factory Finished Ends

Cabinet Fronts Only (CFO)

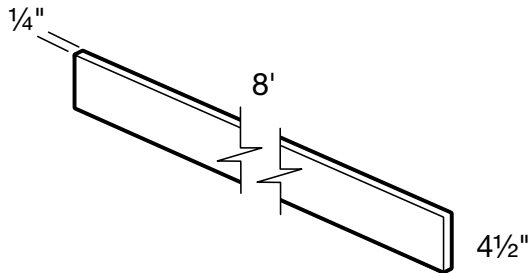
Most Tall cabinets can be ordered as "Cabinet Fronts Only". Face frame, doors, hinges and bumpers will be supplied and shipped loose.

Please consult CFO availability guide on page 42.



Matching Toe Kick 8'

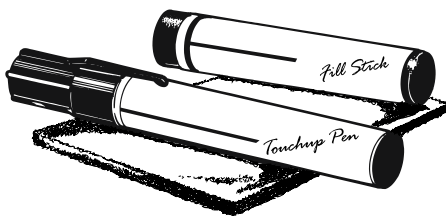
MTK8



- 1/4" thick wood veneer

Touch-Up Kit

TUK

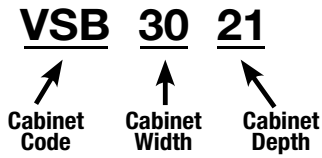


- Includes fill stick, touch-up pen, and 4-door bumpers

PLEASE NOTE: Line drawings are artistic representations of products for general dimensioning purposes. These should not be relied upon for accurate product appearance. Please consult the website or a designer if you have any questions or specific design requirements.

Vanity Base Cabinets

VANITY CABINET CODING

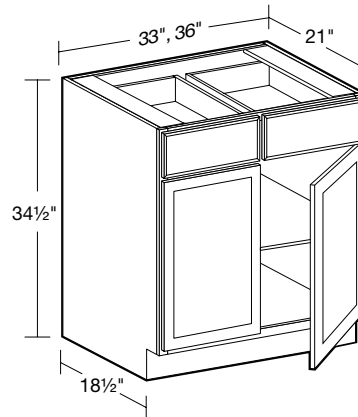


- Standard Vanity Base Cabinets are 21" deep and 34½" high
- Cabinet depth does not include door thickness
- **Custom Depths are available where indicated. Use Standard Base Cabinet coding to order as specified.**
- Products are available in all door styles unless stated otherwise
- Standard cabinet exterior is unfinished veneer, exposed sides require Finished Ends

21" Deep Double Door Vanity Base

**STANDARD
21" DEPTHS**

**VB3321
VB3621**

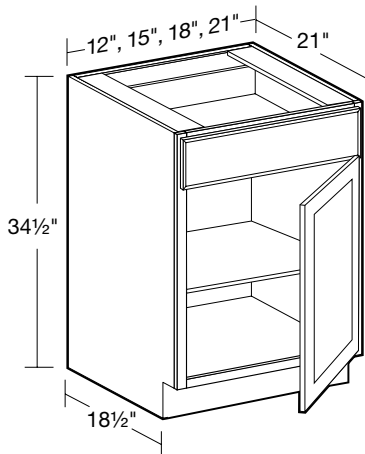


FOR CUSTOM DEPTHS

- Order **B33** or **B36**
- Select 9" to 23" depth
- 9" to 14" deep have false fronts & no drawer

- One full depth adjustable shelf
- Two standard drawers

21" Deep Single Door Vanity Base



**SPECIFY
RIGHT or LEFT HINGED**

**STANDARD
21" DEPTHS**

**VB1221
VB1521
VB1821
VB2121**



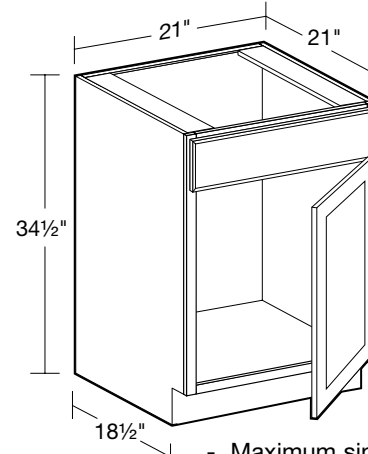
FOR CUSTOM DEPTHS

- Order **B12, B15, B18** or **B21**
- Select 9" to 23" depth
- 9" to 14" deep have false fronts & no drawer

- One full depth adjustable shelf
- One standard drawer

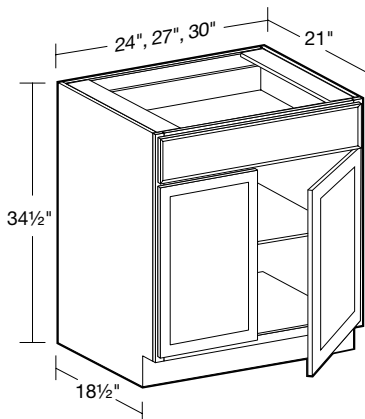
21" Deep Single Door Vanity Sink Base

**SPECIFY
RIGHT or LEFT HINGED
VSB2121**



- Maximum sink cutout 19" wide
- No shelf
- False drawer front

21" Deep Double Door Vanity Base



**STANDARD
21" DEPTHS**

**VB2421
VB2721
VB3021**



FOR CUSTOM DEPTHS

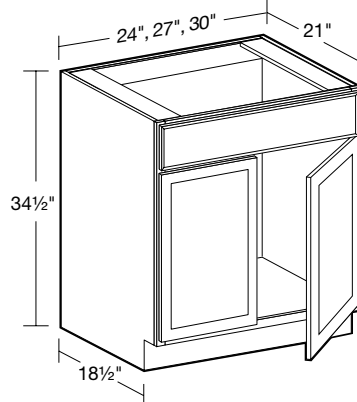
- Order **B24, B27** or **B30**
- Select 9" to 23" depth
- 9" to 14" deep have false fronts & no drawer

- One full depth adjustable shelf
- One standard drawer

21" Deep Double Door Vanity Sink Base

**STANDARD
21" DEPTHS**

**VSB2421
VSB2721
VSB3021**



- No shelf
- False drawer front

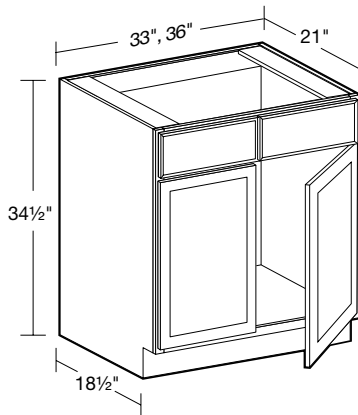


FOR CUSTOM DEPTHS

- Order **SB24, SB27** or **SB30**
- Select 9" to 23" depth

Vanity Base Cabinets

21" Deep Double Door Vanity Sink Base



**STANDARD
21" DEPTHS**

**VSB3321
VSB3621**

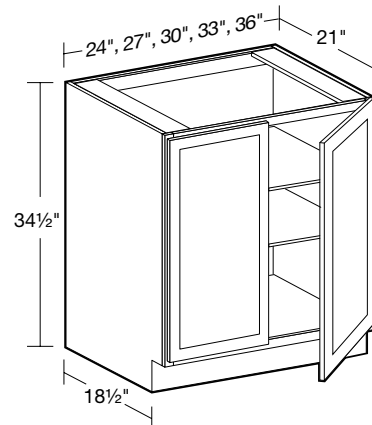


FOR CUSTOM DEPTHS

- Order **SB33** or **SB36**
- Select 9" to 23" depth

- No shelf, two false fronts

21" Deep Double Full Height Door Vanity Base



**STANDARD
21" DEPTHS**

**VB2421FH
VB2721FH
VB3021FH
VB3321FH
VB3621FH**

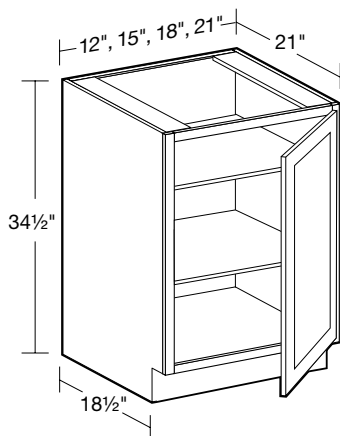


FOR CUSTOM DEPTHS

- Order **B24FH**, **B27FH**, **B30FH** or **B36FH**
- Select 9" to 23" depth

- Two adjustable shelves

21" Deep Single Full Height Door Vanity Base



**SPECIFY
RIGHT or LEFT HINGED**

**STANDARD
21" DEPTHS**

**VB1221FH
VB1521FH
VB1821FH
VB2121FH**

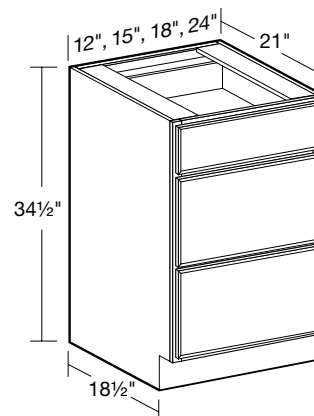


FOR CUSTOM DEPTHS

- Order **B12FH**, **B15FH**, **B18FH** or **B21FH**
- Select 9" to 23" depth

- Two adjustable shelves

21" Deep Vanity Base Drawer



**STANDARD
21" DEPTHS**

**VBD1221
VBD1521
VBD1821
VBD2421**

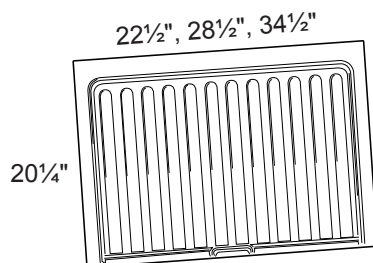


FOR CUSTOM DEPTHS

- Order **BD12**, **BD15**, **BD18** or **BD24**
- Select 15" to 23" depth

- One standard drawer
- Two deep drawers

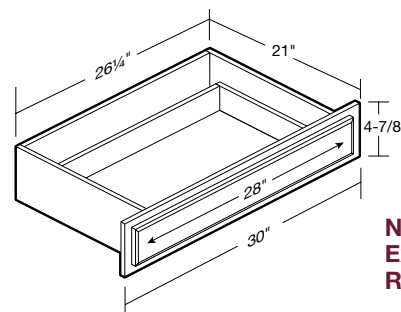
21" Deep Vanity Sink Base Liner



**VSBL2124
VSBL2730
VSBL3336**

- Helps protect sink cabinet from damage due to leaks in piping or drains
- VSBL2124 can be trimmed to fit VSB2121 or VSB2421
- VSBL2730 can be trimmed to fit VSB2721 or VSB3021
- VSBL3336 can be trimmed to fit VSB3321 or VSB3621
- Field installed
- Grey polystyrene easy to clean surface
- Not for use in custom-depth cabinetry

21" Deep Desk Knee Drawer



DKD30

**NOTE: Full
Extension Soft-Close
Runner Not Available**

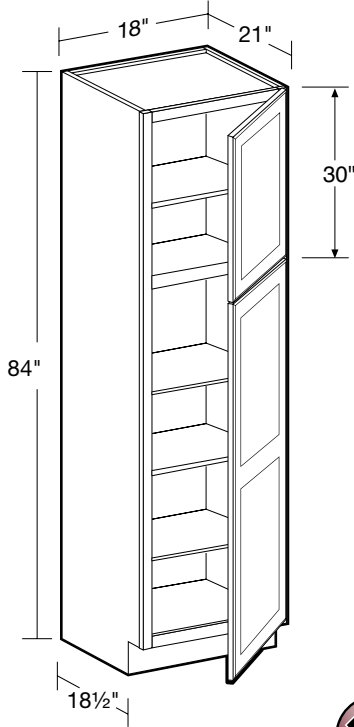
- One full width pencil/cosmetic drawer
- Knee drawer is designed for use between two desk base cabinets
- Comfortable height for dressing table or writing surface when installed at 28 1/2" height with 1 1/2" thick countertop
- Slab drawer front all door styles
- May be trimmed up to 1" on each side

Vanity Linen & Wall Cabinets

21" Deep Two Door Linen

**SPECIFY
RIGHT or LEFT HINGED**

**STANDARD
21" DEPTH
VLC182184**



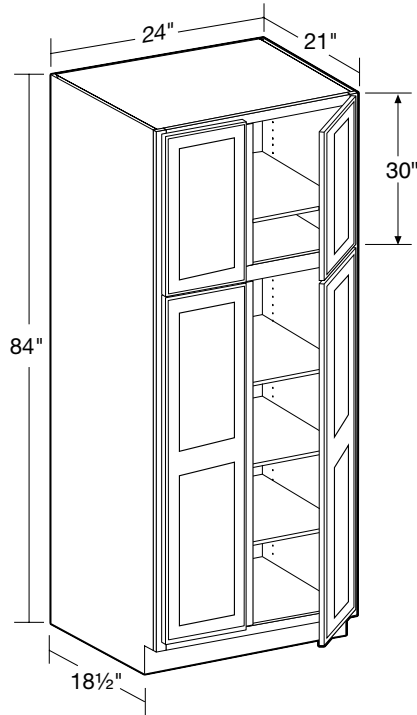
FOR CUSTOM DEPTHS

- Order **U182484**
- Select 9" to 23" depth

- One fixed shelf dividing upper and lower doors, four adjustable shelves
- Exposed sides require VTSK84

21" Deep Four Door Linen

**STANDARD
21" DEPTH
VLC242184**



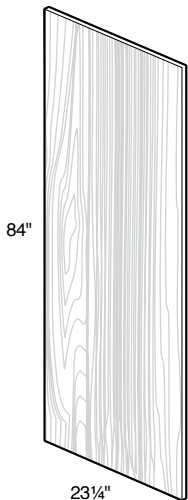
FOR CUSTOM DEPTHS

- Order **U242484**
- Select 9" to 23" depth

- One fixed shelf dividing upper and lower doors, four adjustable shelves
- Exposed sides require VTSK84

Vanity Tall Skin

VTSK84

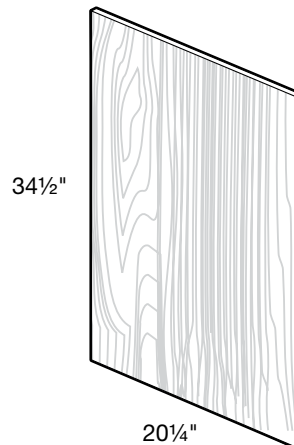


- 3/16" thick
- Field modified and installed
- Matching veneer plywood exterior for wood finishes
 - BG, CB, CN, MG, TG
- Matching veneer plywood exterior for wood finishes
 - BG, CB, CN, MG, TG

NOTE: Cannot be used in conjunction with Factory Finished Ends

Vanity Base Skin

VBSK345

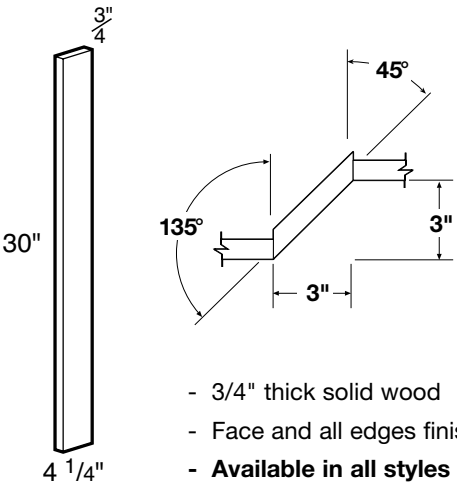


- 3/16" thick
- Field modified and installed
- Matching veneer plywood exterior for wood finishes
 - BG, CB, CN, MG, TG
- Matching veneer plywood exterior for wood finishes
 - BG, CB, CN, MG, TG

NOTE: Cannot be used in conjunction with Factory Finished Ends

Vanity Wall Cabinets

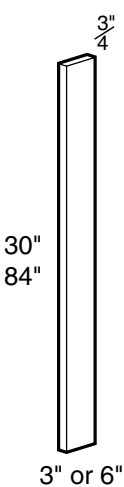
Angle Fillers



AF330

- 3/4" thick solid wood
- Face and all edges finished
- Available in all styles except PG

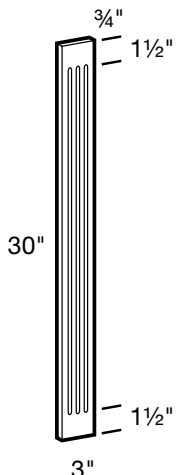
Filler Strips



**FS30
FS630
FS84**

- 3/4" thick solid wood
- Face and all edges finished

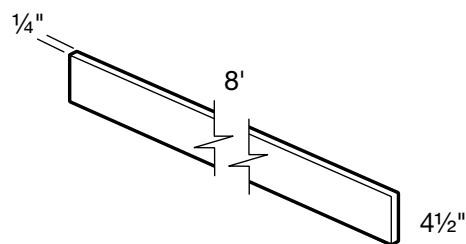
Fluted Fillers



FF330

- 3/4" thick solid wood
- Face and all edges finished
- May be trimmed 1/2" each side
- Available in all styles except PG

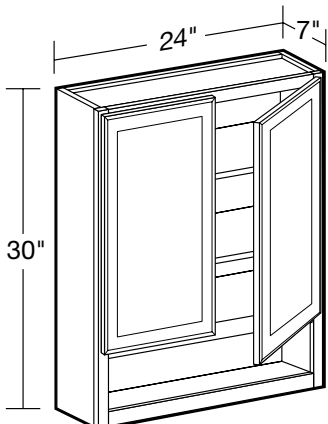
Matching Toe Kick 8'



MTK8

- 1/4" thick wood veneer

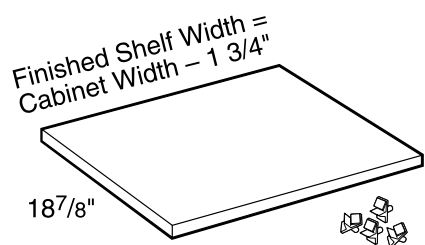
30" High x 7" Deep Vanity Wall Boutique



VWB2430

- Two adjustable shelves
- Matching interior and exterior standard

Vanity Shelf Kit



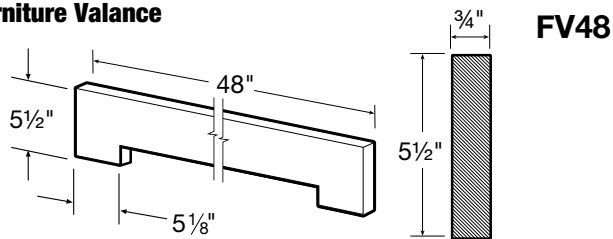
**VSK1221
VSK1521
VSK1821
VSK2121
VSK2421
VSK2721
VSK3021
VSK3321
VSK3621**

- 3/4" thick plywood with natural birch veneer finish
- Edgebanded on front edge

EXAMPLE: 36" wide vanity cabinet uses Shelf Kit VSK3621

Molding

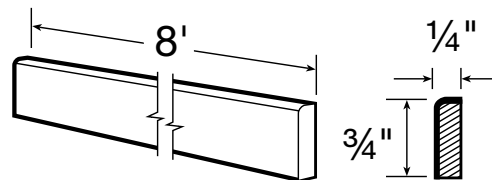
Furniture Valance



FV48

- 3/4" thick solid wood
- May be trimmed 3" on each end

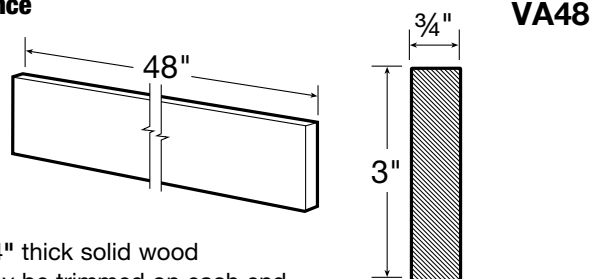
Scribe Molding



SM8

- 1/4" thick solid wood

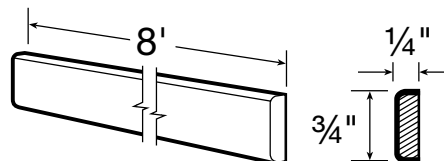
Valance



VA48

- 3/4" thick solid wood
- May be trimmed on each end

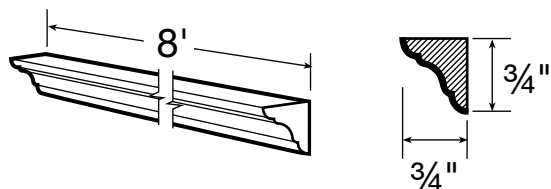
Batten Molding



BM8

- 1/4" thick solid wood

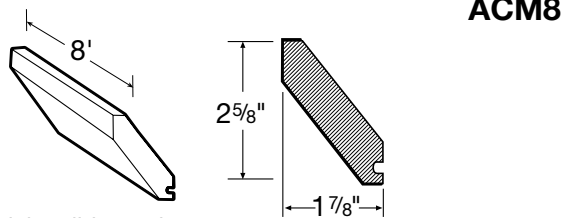
Inside Corner Molding



ICM8

- 3/4" thick solid wood

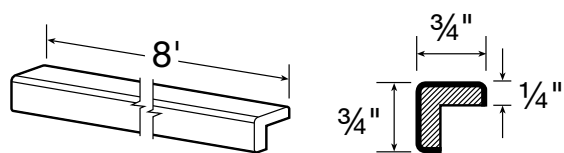
Angle Crown Molding



ACM8

- 3/4" thick solid wood
- Use with TMMS8 for top of cabinet installation
- Available in CB, CN, MG, PW and PG finishes ONLY

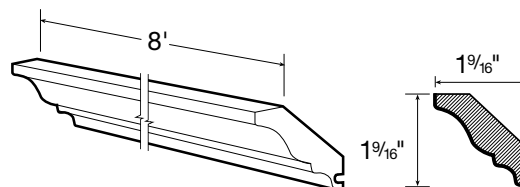
Outside Corner Molding



OSC8

- 3/4" thick solid wood

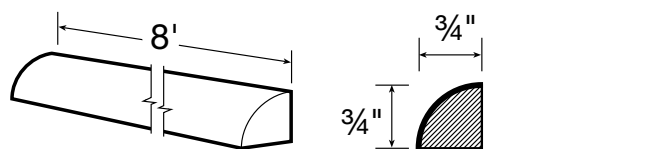
Soffit Crown Molding



SCM8

- 3/4" thick solid wood
- Use with TMMS8 for top of cabinet installation

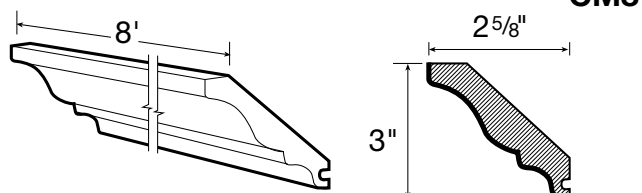
Quarter Round



QR8

- 3/4" thick solid wood

Crown Molding

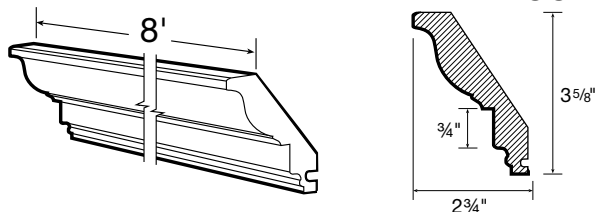


CM8

- 3/4" thick solid wood
- Use with TMMS8 for top of cabinet installation

Classic Crown Molding

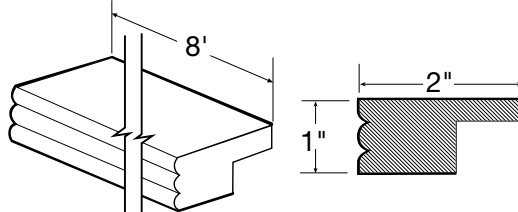
CCM8



- 3/4" thick solid wood
- Use with TMMS8 for top of cabinet installation
- Available in all styles except PG and AW

Beaded Light Rail

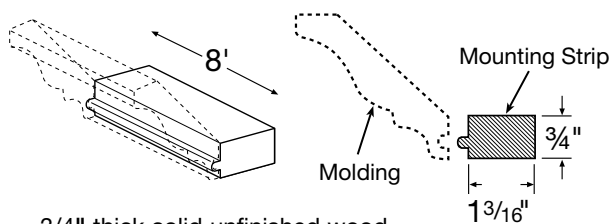
BLR8



- 1" thick solid wood

Top Molding Mounting Strip

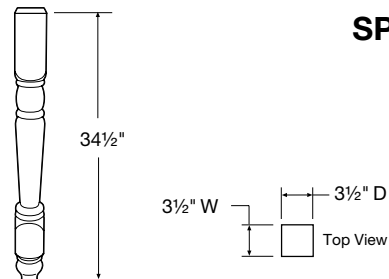
TMMS8



- 3/4" thick solid unfinished wood
- Recommended for installation of ACM8, CM8, CCM8, SCM8 moldings

Spindle

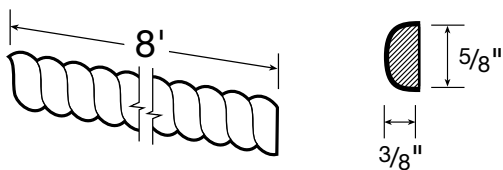
SPL



- Solid hardwood

Rope Molding

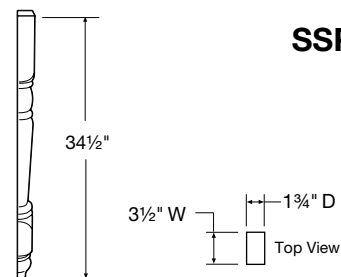
RM8



- 3/4" thick solid wood
- Available in all styles except PG

Split Spindle

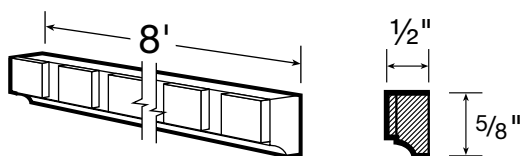
SSPL



- Solid hardwood
- Available in all styles except PG

Dentil Molding

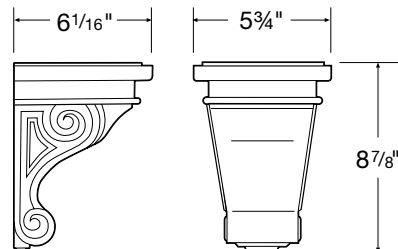
DM8



- 3/4" thick solid wood
- Available in all styles except PG

Corbel

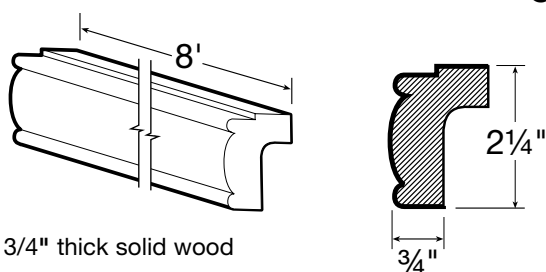
CBL



- Solid hardwood
- Available in all styles except AW, PW and PG

Classic Light Rail

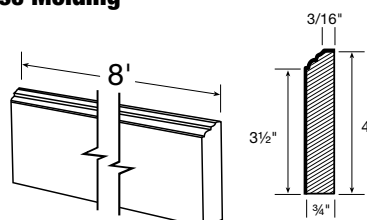
CLR8



- 3/4" thick solid wood

Furniture Base Molding

FBM8



- 3/4" thick solid wood

Decorative Hardware



- Euro railing pull
- Brushed nickel

DH45-100 - 7" Euro Pull

3 $\frac{3}{4}$ " center (96mm)

DH45-102 - 10" Euro Pull*

6-15/16" center (176mm)

DH45-104 - 13" Euro Pull*

9 $\frac{3}{4}$ " center (248mm)



- Brushed steel

DH44-346 - 8" Square Bar Pull

7 $\frac{1}{2}$ " center (196mm)

DH44-348 - 9" Square Bar Pull

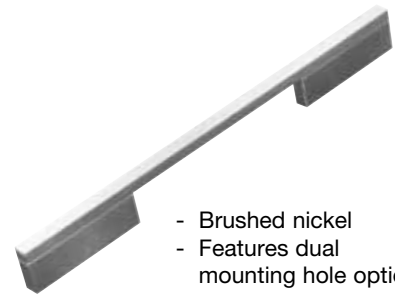
8-13/16" center (224mm)

DH44-350 - 13" Square Bar Pull*

12-5/8" center (320mm)

DH44-352 - 19" Square Bar Pull*

18-7/8" center (480mm)



- Brushed nickel
- Features dual mounting hole options

DH116-120 - 10" Quadra Pull

5" inside center (128mm)
8-13/16" outside center (224mm)

DH116-122 - 11" Quadra Pull

6-5/16" inside center (160mm)
10-1/16" outside center (256mm)

DH116-126 - 14" Quadra Pull

8-13/16" inside center (224mm)
12-5/8" outside center (320mm)

DH116-134 - 20" Quadra Pull*

15-1/8" inside center (384mm)
18-7/8" outside center (480mm)

DH116-136 - 24" Quadra Pull*

18-7/8" inside center (480mm)
22-11/16" outside center (576mm)

* Due to the overall length of this hardware, it is not compatible with drilling template HDWE TEMPLATE-AW.

Decorative Hardware



DH43-826

- Elongated oval knob
- Antique pewter
- 2" length



DH43-630

- Elongated oval knob
- Oiled bronze
- 2" length



DH43-618

- Octagon knob
- Oiled bronze
- 1-3/8" diameter



DH43-828

- Classic pull
- Antique pewter
- 3-3/4" center (96mm)
- 4-3/4" outside length



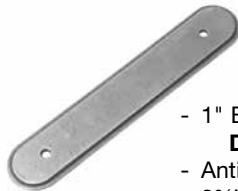
DH43-632

- Classic pull
- Oiled bronze
- 3-3/4" center (96mm)
- 4-3/4" outside length



DH43-614

- Traditional pull
- Oiled bronze
- 3-3/4" center (96mm)
- 4-1/2" outside length



DH43-824

- 1" Backplate for **DH43-828**
- Antique pewter
- 3 3/4" center (96mm)
- 5 1/4" outside length



DH43-628

- 1" Backplate for **DH43-632**
- Oiled bronze
- 3 3/4" center (96mm)
- 5 1/4" outside length



DH43-628

- 1" Backplate for **DH43-614**
- Oiled bronze
- 3-3/4" center (96mm)
- 5-1/4" outside length



DH43-820

- Screw-head cup pull
- Antique pewter
- 2-1/2" center (64mm)
- 4-1/8" outside length



DH43-624

- Screw-head cup pull
- Oil rubbed bronze
- 2-1/2" center (64mm)
- 4-1/8" outside length



DH43-624

- Screw-head cup pull
- Oil rubbed bronze
- 2-1/2" center (64mm)
- 4-1/8" outside length



DH99-188

- Round knob
- Brushed nickel
- 1-1/4" diameter



DH93-152

- Raised mitered knob
- Antique pewter
- 1-3/8" square



DH43-124

- Octagon knob
- Antique silver
- 1-3/8" diameter



DH99-128

- Contemporary bow pull
- Brushed nickel
- 3-3/4" center (96mm)
- 5-1/4" outside length



DH93-112

- Raised mitered pull
- Antique pewter
- 3-3/4" (96mm) & 5" (128mm) center
- 6-3/8" outside length



DH43-114

- Traditional pull
- Antique silver
- 3-3/4" center (96mm)
- 4-1/2" outside length

Decorative Hardware

DH65-432



- Birdcage knob
- Stainless steel
- 2-1/2" length

DH65-200



- Birdcage knob
- Antique iron
- 2-1/2" length

DH88-104



- Arrowhead knob
- Antique pewter
- 3-1/2" length

DH65-402



- Birdcage pull
- Stainless steel
- 3-3/4" center (96mm)
- 4" outside length

DH65-120



- Birdcage pull
- Antique iron
- 3-3/4" center (96mm)
- 4" outside length

DH88-110



- Arrowhead pull
- Antique pewter
- 5" center (128mm)
- 7-1/2" outside length

DH95-144



- Square dimpled knob
- Matte nickel
- 1-1/4" square

DH87-102

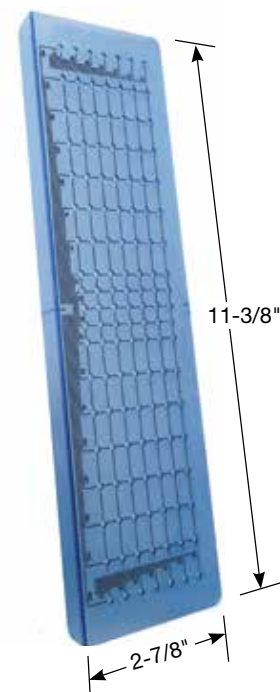


- Square ribbed knob
- Brushed nickel
- 1" square

HDWE TEMPLATE-AW

Hardware Drilling Template

Align with door frame to quickly and accurately mark hole locations.



DH95-104



- Square dimpled pull
- Matte nickel
- 6-5/16" center (160mm)
- 7-1/2" outside length

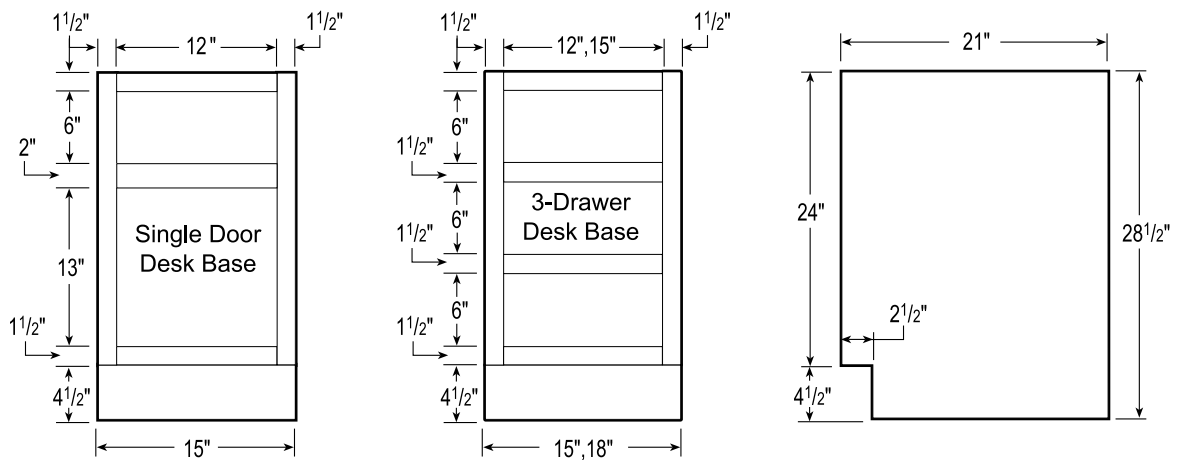
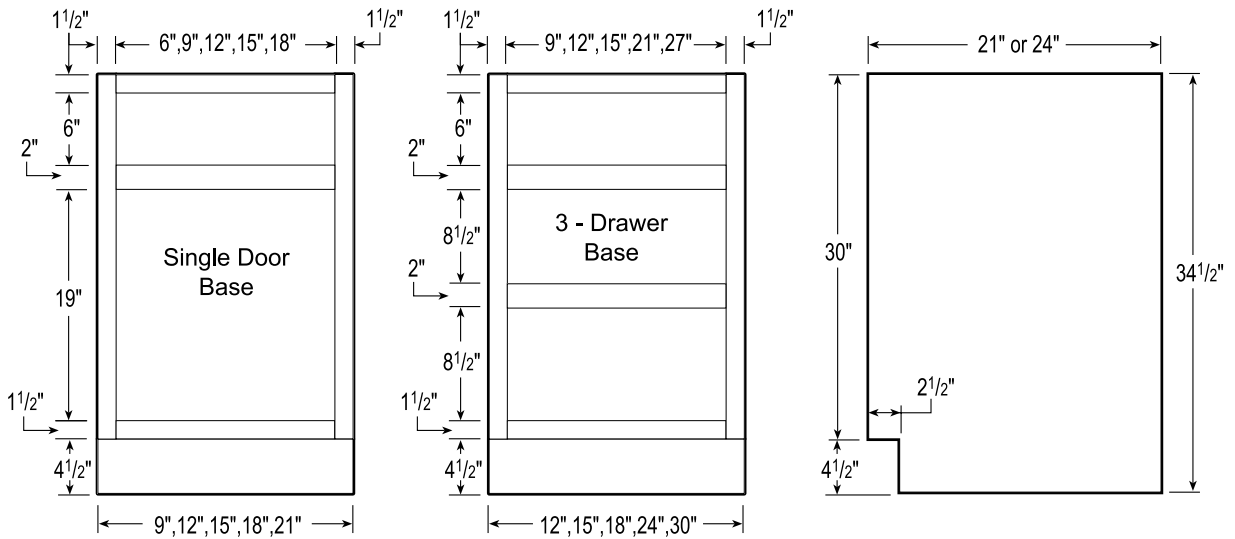
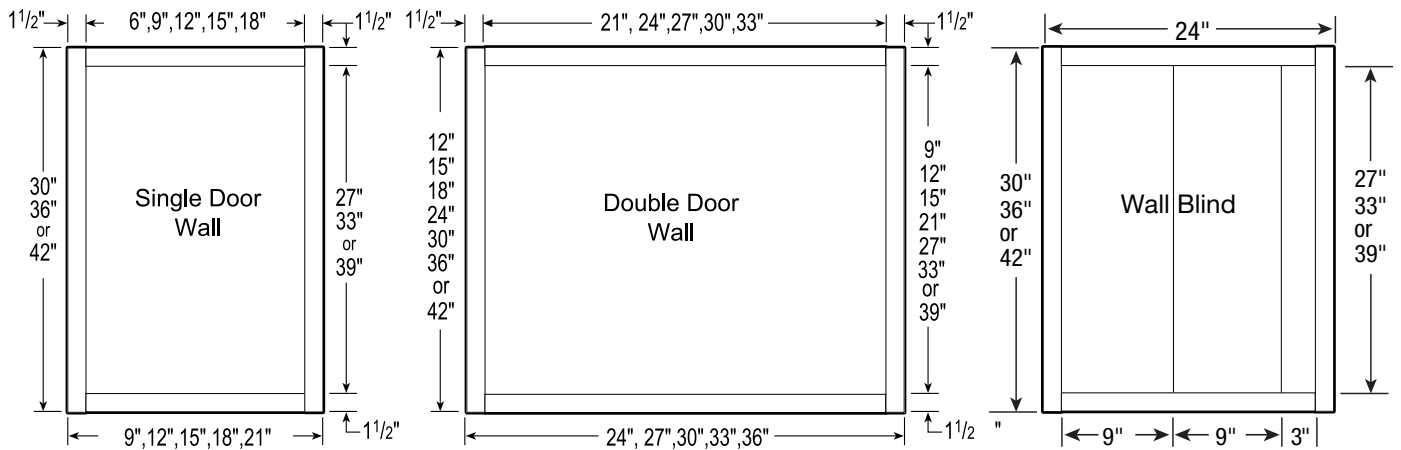
DH87-112



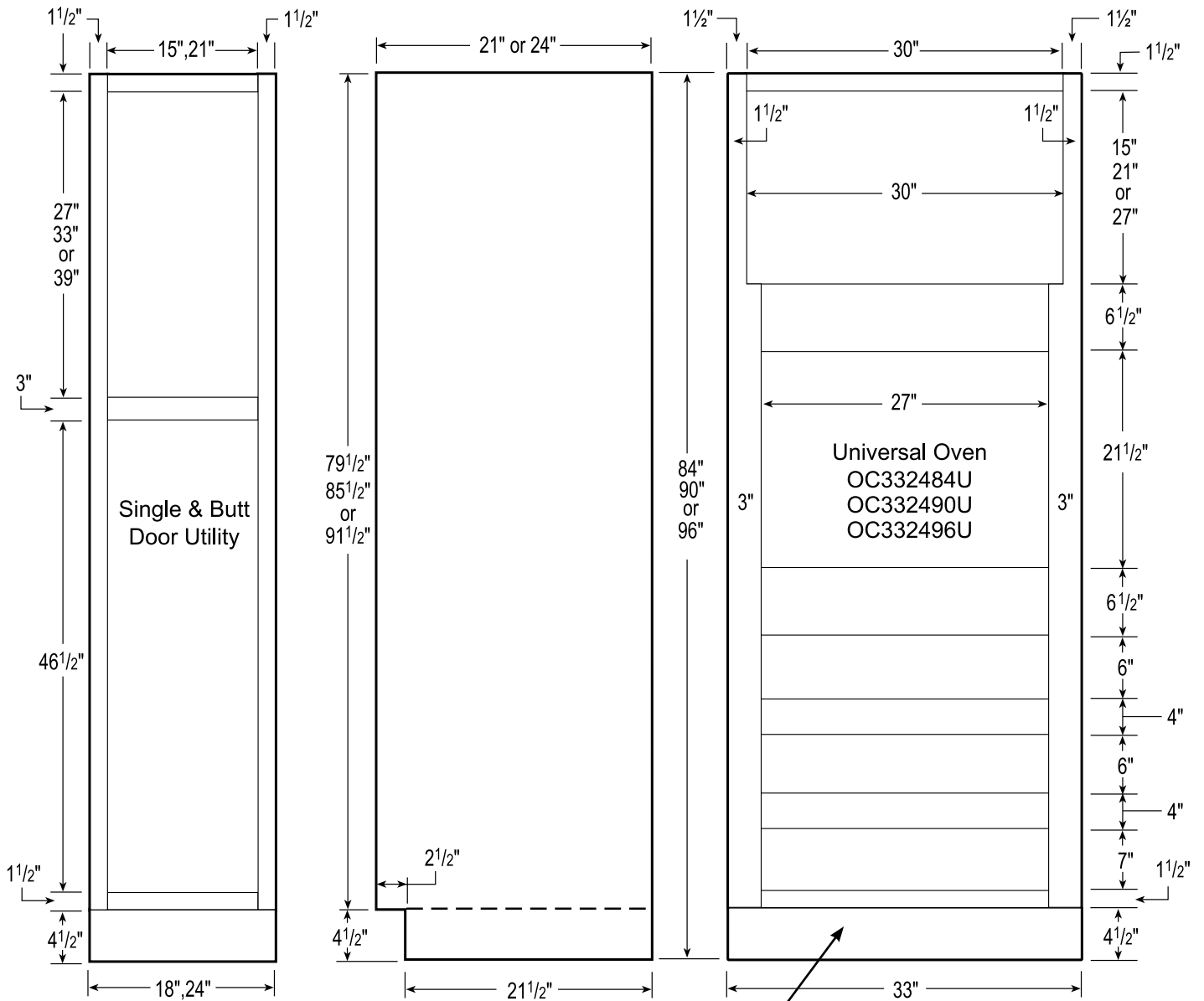
- Ribbed bow pull
- Brushed nickel
- 3-3/4" center (96mm)
- 4-11/16" outside length

NOTE: Refer to the individual decorative hardware size specifications to determine compatibility with this template.

Cabinet Frame & Opening Dimensions

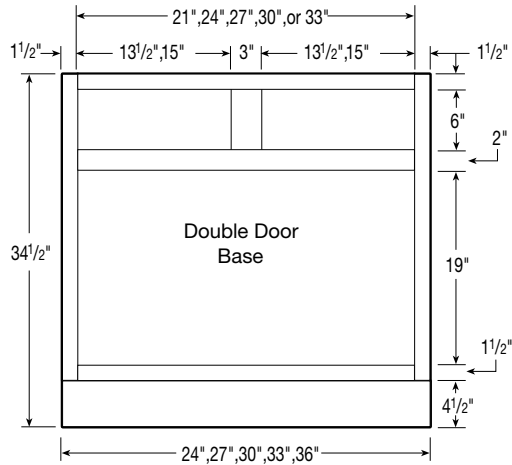


Cabinet Frame & Opening Dimensions

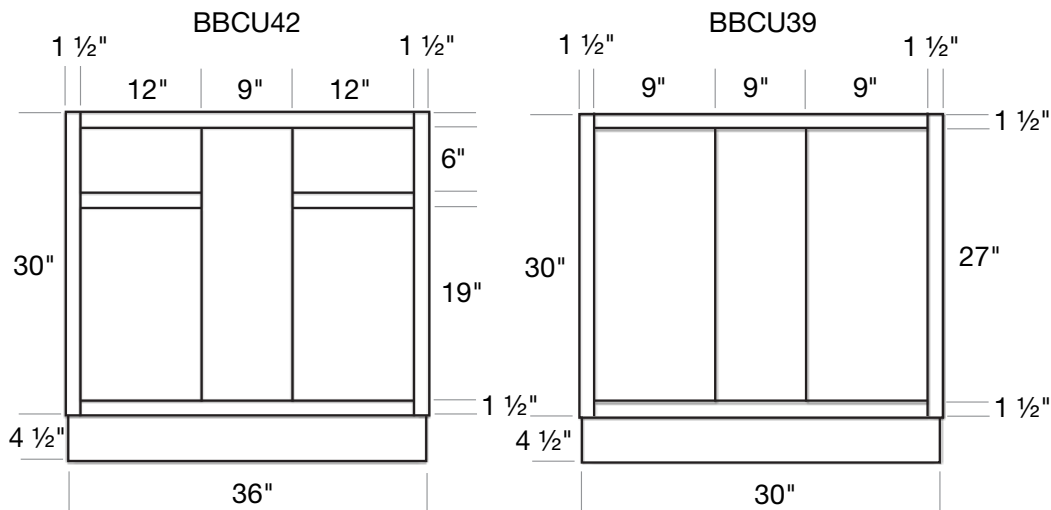


NOTE: 96" TALL CABINETS ARE SUPPLIED WITH LOOSE TOE KICK BOX (EXPOSED SIDES REQUIRE TSK96)

Cabinet Frame & Opening Dimensions



NOTE: B27, B30 have full width drawers



DRAWER BOX INSIDE DIMENSIONS						
CABINET	SHALLOW DRAWER			DEEP DRAWER		
	HEIGHT	DEPTH	WIDTH	HEIGHT	DEPTH	WIDTH
B12, BD12	4-3/8"	19-11/16"	6-7/8"	6-3/4"	19-11/16"	6-7/8"
VB1221, VBD1221	4-3/8"	16-11/16"	6-7/8"	6-3/4"	16-11/16"	6-7/8"
B15, BBCU42, BD15	4-3/8"	19-11/16"	9-7/8"	6-3/4"	19-11/16"	9-7/8"
VB1521, VBD1521	4-3/8"	16-11/16"	9-7/8"	6-3/4"	16-11/16"	9-7/8"
DDO15, DDR15	4-3/8"	19-11/16"	9-7/8"	N/A	N/A	N/A
B18, BD18	4-3/8"	19-11/16"	12-7/8"	6-3/4"	19-11/16"	12-7/8"
VB1821, VBD1821	4-3/8"	16-11/16"	12-7/8"	6-3/4"	16-11/16"	12-7/8"
B21	4-3/8"	19-11/16"	15-7/8"	N/A	N/A	N/A
B24, BD24	4-3/8"	19-11/16"	18-7/8"	6-3/4"	19-11/16"	18-7/8"
VB2421	4-3/8"	16-11/16"	18-7/8"	N/A	N/A	N/A
B27	4-3/8"	19-11/16"	21-7/8"	N/A	N/A	N/A
B30, BD30	4-3/8"	19-11/16"	24-7/8"	6-3/4"	19-11/16"	24-7/8"
VB3021	4-3/8"	16-11/16"	24-7/8"	N/A	N/A	N/A
B33	4-3/8"	19-11/16"	11-1/4"	N/A	N/A	N/A
B36, BD36	4-3/8"	19-11/16"	12-7/8"	6-3/4"	19-11/16"	30-7/8"
VB3621	4-3/8"	16-11/16"	12-7/8"	N/A	N/A	N/A
OC332484U, OC332490U, OC332496U	4-3/8"	19-11/16"	24-7/8"	N/A	N/A	N/A

Cabinet Fronts Only - Availability Guide

- Most cabinets can be ordered as "Cabinet Fronts Only" (CFO)
- Face frames, doors, hinges, and bumpers will be supplied and shipped loose
- Doors are pre-drilled for hinge installation

CABINET	CFO CABINET FRONT
W0930	CFOW0930
W0936	CFOW0936
W0942	CFOW0942
W1230	CFOW1230
W1236	CFOW1236
W1242	CFOW1242
W1530	CFOW1530
W1536	CFOW1536
W1542	CFOW1542
W1830	CFOW1830
W1836	CFOW1836
W1842	CFOW1842
W2130	CFOW2130
W2136	CFOW2136
W2142	CFOW2142
W2430	CFOW2430
W2436	CFOW2436
W2442	CFOW2442
W2730	CFOW2730
W2736	CFOW2736
W2742	CFOW2742
W3012	CFOW3012
W3015	CFOW3015
W3018	CFOW3018
W3024	CFOW3024
W3030	CFOW3030
W3036	CFOW3036

CABINET	CFO CABINET FRONT
W3042	CFOW3042
W3315	CFOW3315
W3330	CFOW3330
W3336	CFOW3336
W3342	CFOW3342
W3612	CFOW3612
W3615	CFOW3615
W3618	CFOW3618
W3624	CFOW3624
W3630	CFOW3630
W3636	CFOW3636
W3642	CFOW3642
B12	CFOB12
B15	CFOB15
B18	CFOB18
B21	CFOB21
B24	CFOB24
B27	CFOB27
B30	CFOB30
B33	CFOB33
B36	CFOB36
U1884	CFOU1884
U1890	CFOU1890
U1896	CFOU1896
U2484	CFOU2484
U2490	CFOU2490
U2496	CFOU2496





HOME
DECORATORS
COLLECTION

hdckitchens.com

Semi-Custom Kitchen & Bath Cabinetry

LEARN MORE



Instant Kitchen Estimator

LEARN MORE



Cabinet Quality

LEARN MORE



Free Color Samples

LEARN MORE



Measuring Guide



Member
NKBA

Lifetime
Manufacturer
Warranty

CARB2
compliant