

SOUTHLAND[®]

ILLUSTRATED PARTS BOOK

79cc 4-Cycle Lawn Edger

S-WLE-0799

SWLE0799

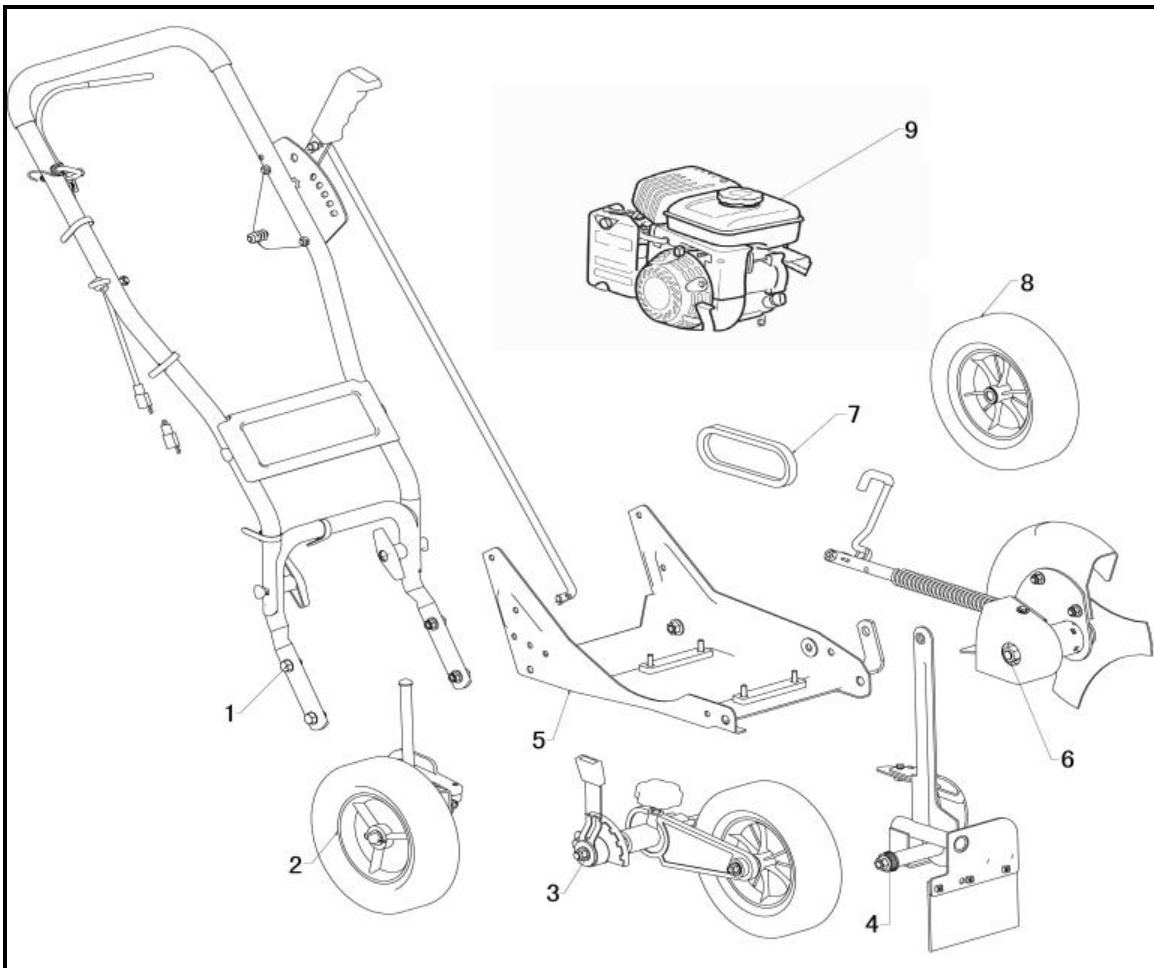
SWLE0799.1



Table of Contents

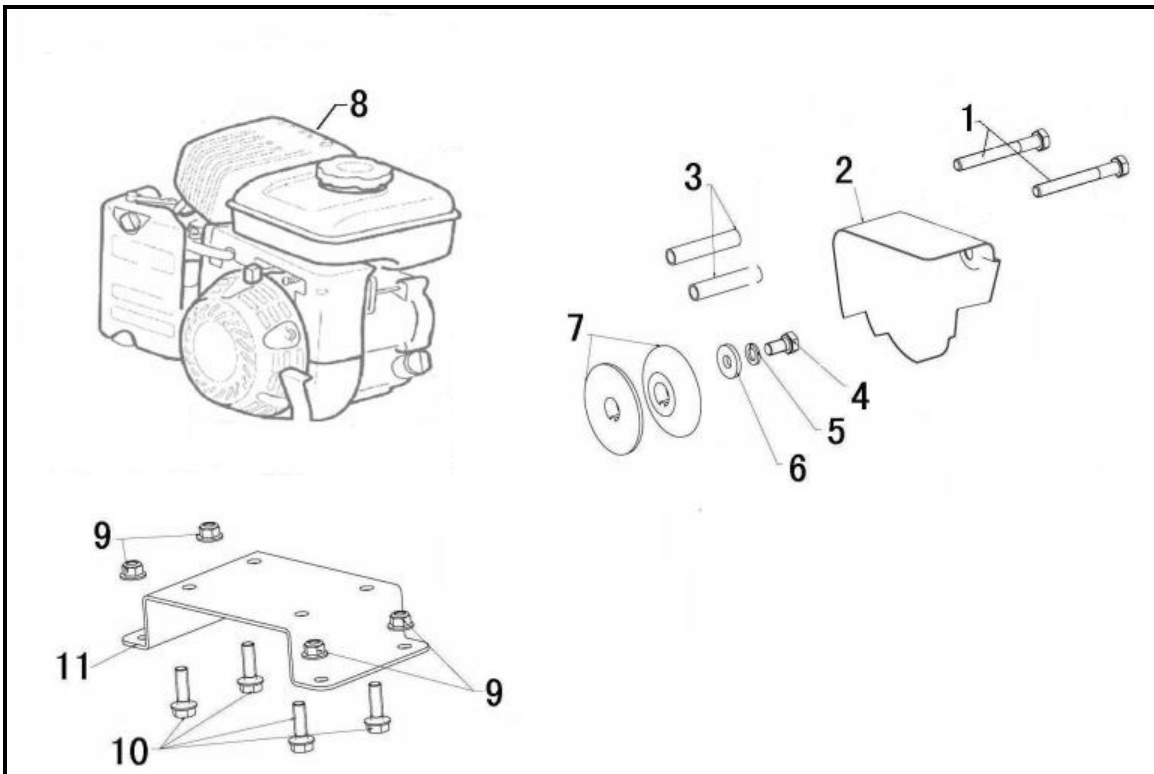
Top Level Assembly.....	2
Engine - Top Level Assembly.....	3
Quill Arm Assembly.....	4
Frame Assembly.....	5
Fixed Rear Wheel Assembly.....	6
Adjustable Rear Wheel Assembly.....	7
Front Wheel Assembly.....	8-9
Blade Arm Assembly.....	10-11
Handle Assembly.....	12-13
Engine Sub-Assemblies:	
Engine - Sub Level Assembly.....	14-15
Crankcase Cover Assembly.....	16
Crankshaft Assembly.....	17
Air Filter Assembly.....	18
Carburetor Assembly.....	19
Fly Wheel Assembly.....	20
Fuel Tank Assembly.....	21
Muffler Assembly.....	22-23
Engine Side Assembly.....	24-25
Cylinder Head Assembly.....	26-27
Crankcase Assembly.....	28-29
Decal Kit.....	30

Top Level Assembly



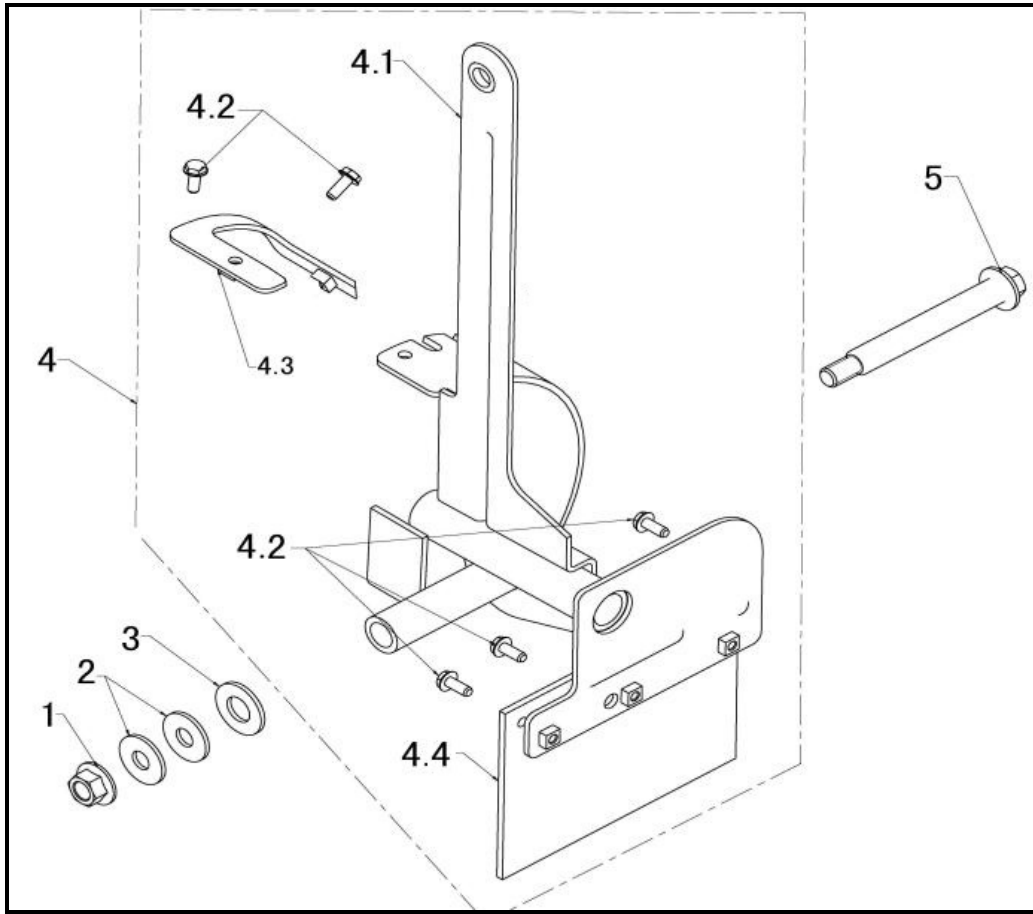
REF. NO.	DESCRIPTION	PART NO.	QTY
1	Handle Assembly	See Pages 11-12	1
2	Adjustable Rear Wheel Assembly	See Page 6	1
3	Front Wheel Assembly	See Pages 7-8	1
4	Quill Arm Assembly	See Page 3	1
5	Frame Assembly	See Page 4	1
6	Blade Arm Assembly	See Pages 9-10	1
7	Belt, Edger, 13 x 828	A100493	1
8	Fixed Rear Wheel Assembly	See Page 5	1
9	Engine – Top Level Assembly	See Page 13	1

Engine – Top Level Assembly



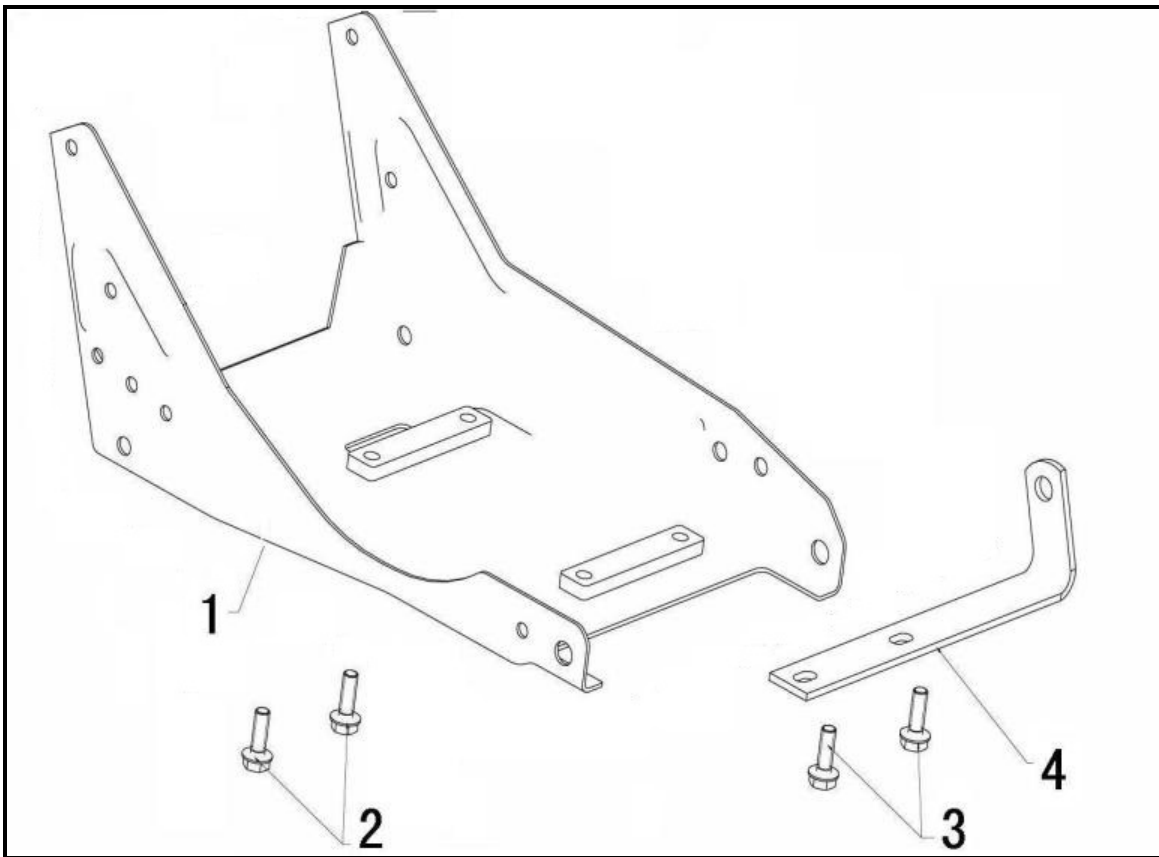
REF. NO.	DESCRIPTION	PART NO.	QTY
1	Screw, M8 x 66	A100443	2
2	Cover, Engine Pulley, Southland Red	A203894	1
3	Spacer, Sleeve	A100442	2
4	Screw, M8 x 1.0 x 20	A100444	1
5	Lock Washer, M8	A100445	1
6	Flat Washer, M8	A100446	1
7	Pulley, Half "V"	A100447	2
8	Engine, Sub Level Assembly with Labels	A100438	1
9	Nut, M8	<i>Reference Only</i>	4
10	Bolt, M8 x 20	<i>Reference Only</i>	4
11	Bracket, Engine Mounting, Southland Red	A203927	1

Quill Arm Assembly



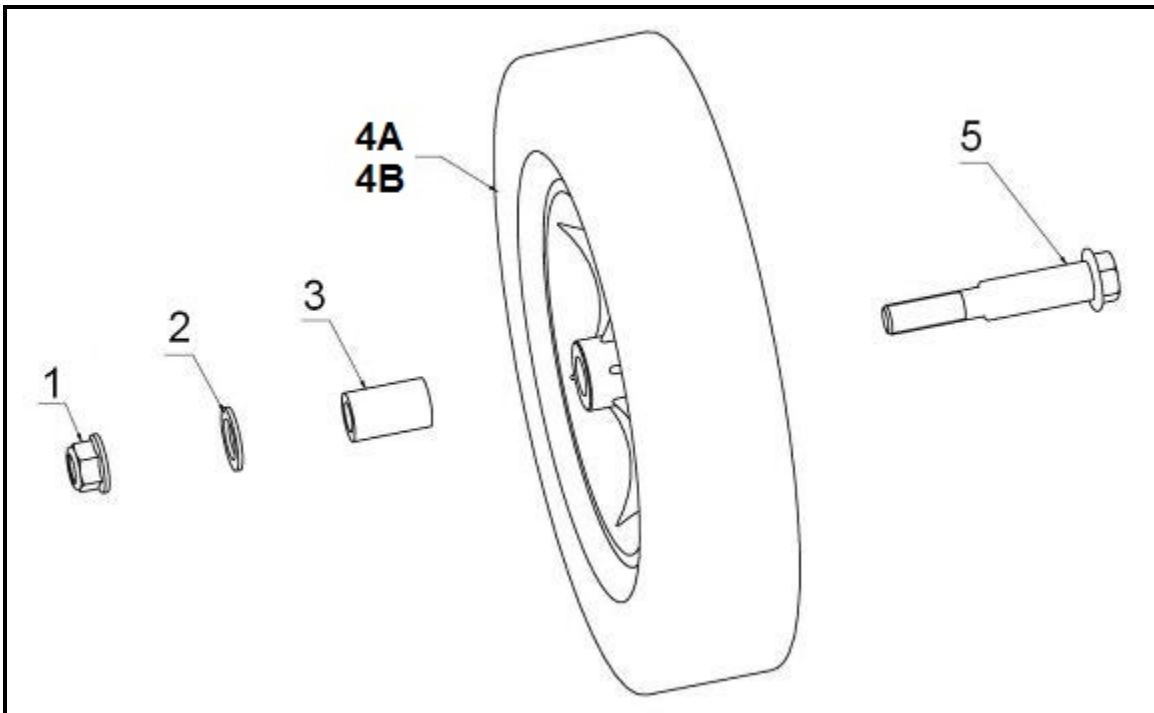
REF. NO.	DESCRIPTION	PART NO.	QTY
1	Nut, M10	<i>Reference Only</i>	1
2	Flat Washer, M10	<i>Reference Only</i>	2
3	Flat Washer, M13	<i>Reference Only</i>	1
4	Assembly, Quill Support, Southland Red	A203895	1
4.1	Support, Quill, Southland Red	<i>Reference Only</i>	1
4.2	Screw, M5 x 12	<i>Reference Only</i>	5
4.3	Bracket, Blade Angle Control, Southland Red	A203896	1
4.4	Deflector, Rubber	A100468	1
5	Bolt	A100467	1

Frame Assembly



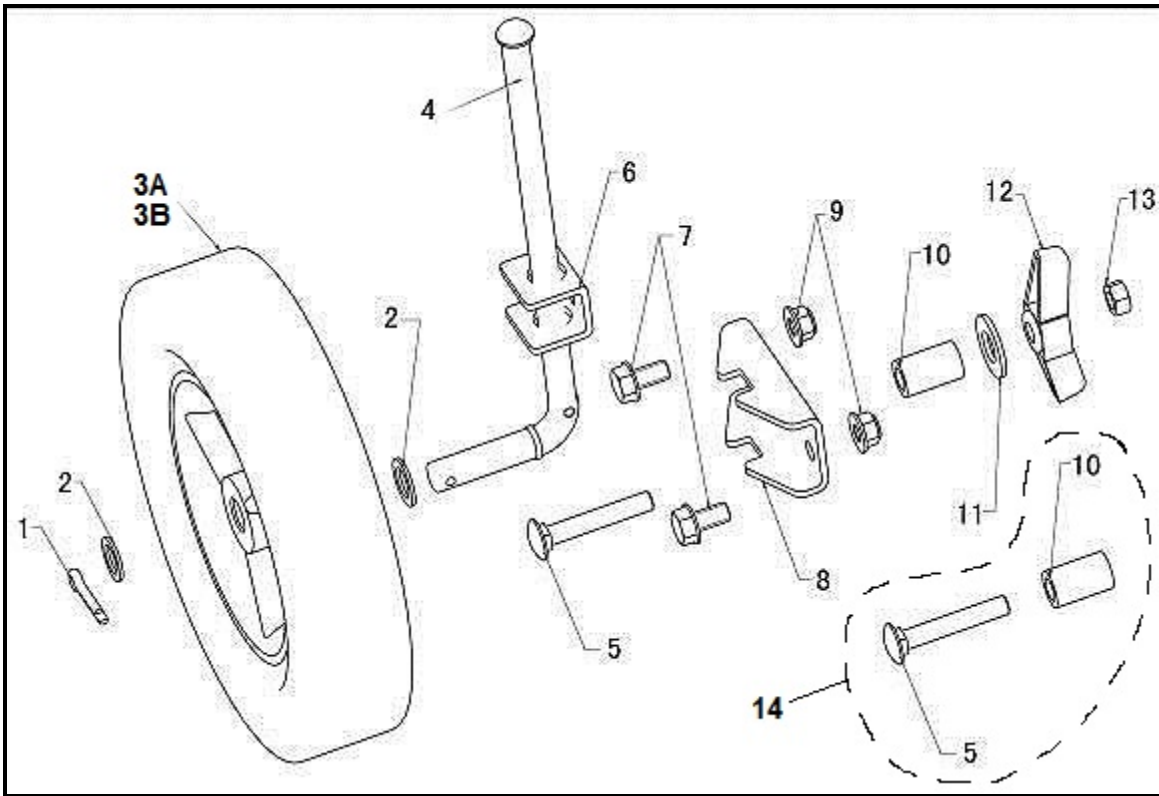
REF. NO.	DESCRIPTION	PART NO.	QTY
1	Sub Assembly, Frame, Southland Red	A203897	1
2	Screw, M8 x 25	<i>Reference Only</i>	2
3	Screw, M8 x 30	<i>Reference Only</i>	2
4	Strap, Southland Red	A203898	1

Fixed Rear Wheel Assembly



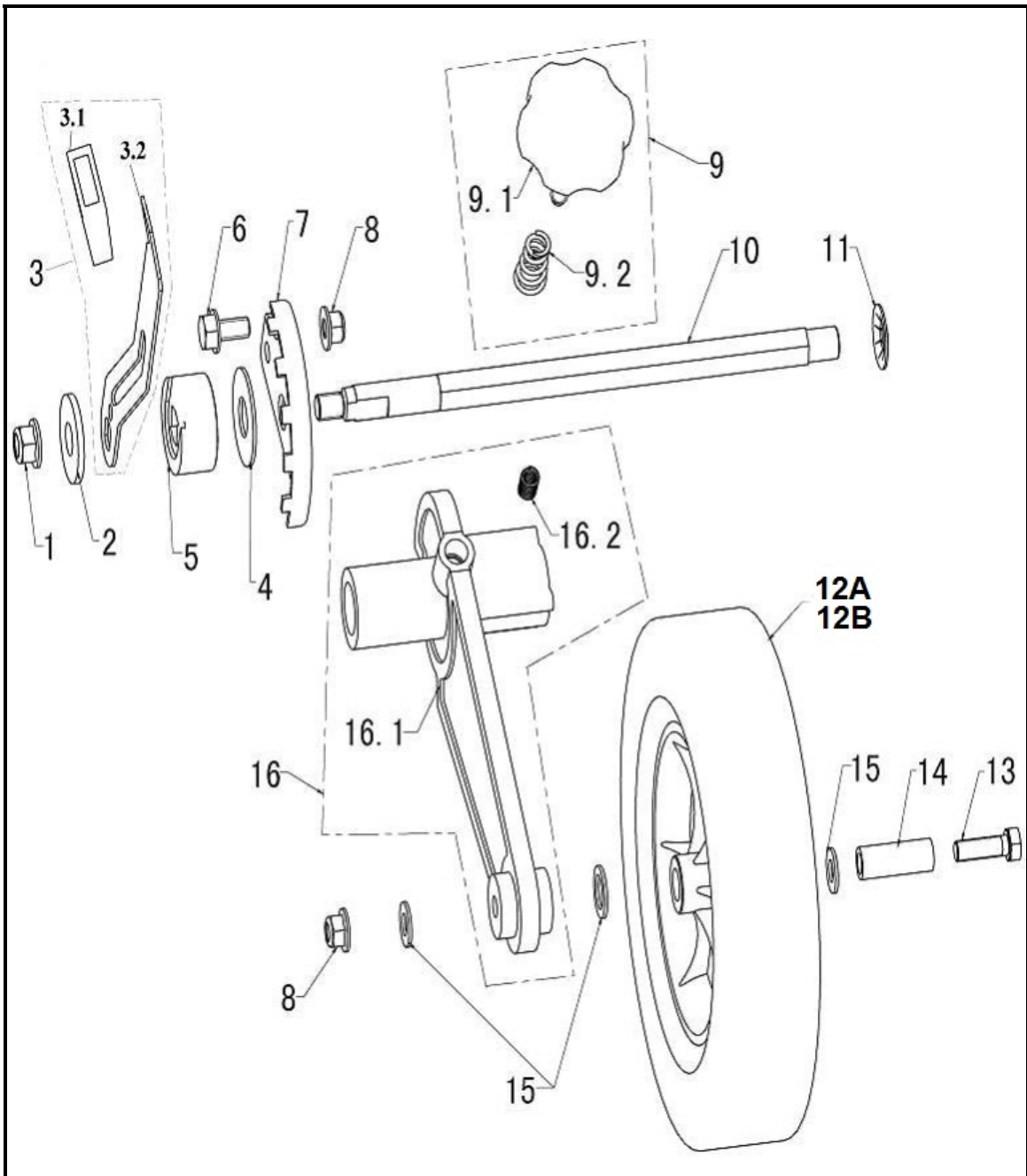
REF. NO.	DESCRIPTION	PART NO.	QTY
1	Lock Nut, M10	<i>Reference Only</i>	1
2	Flat Washer, M10	<i>Reference Only</i>	1
3	Spacer, Sleeve	A100464	1
4A	Tire & Rim, 8" O.D.	A100454	1
4B	Tire & Rim, 7" O.D. (for SWLE0799.1)	A202052	1
5	Bolt, Shoulder	A100465	1

Adjustable Rear Wheel Assembly



REF. NO.	DESCRIPTION	PART NO.	QTY
1	Pin, Cotter	A100452	1
2	Flat Washer, M13	<i>Reference Only</i>	2
3A	Tire & Rim, 8" O.D.	A100454	1
3B	Tire & Rim, 7" O.D. (for SWLE0799.1)	A202052	1
4	Rod, Wheel Support	A100455	1
5	Bolt, M8 x 110	<i>Reference Only</i>	1
6	Clevis	A100456	1
7	Bolt, M8 x 16	<i>Reference Only</i>	2
8	Bracket, Curb Hopping Mounting	A100459	1
9	Lock Nut, M8	<i>Reference Only</i>	2
10	Spacer, Sleeve	<i>Reference Only</i>	1
11	Flat Washer, M8	<i>Reference Only</i>	1
12	Knob, Wing, M8	A101111	1
13	Lock Nut, M8	<i>Reference Only</i>	1
14	Kit, Bolt & Sleeve Spacer	A203899	1

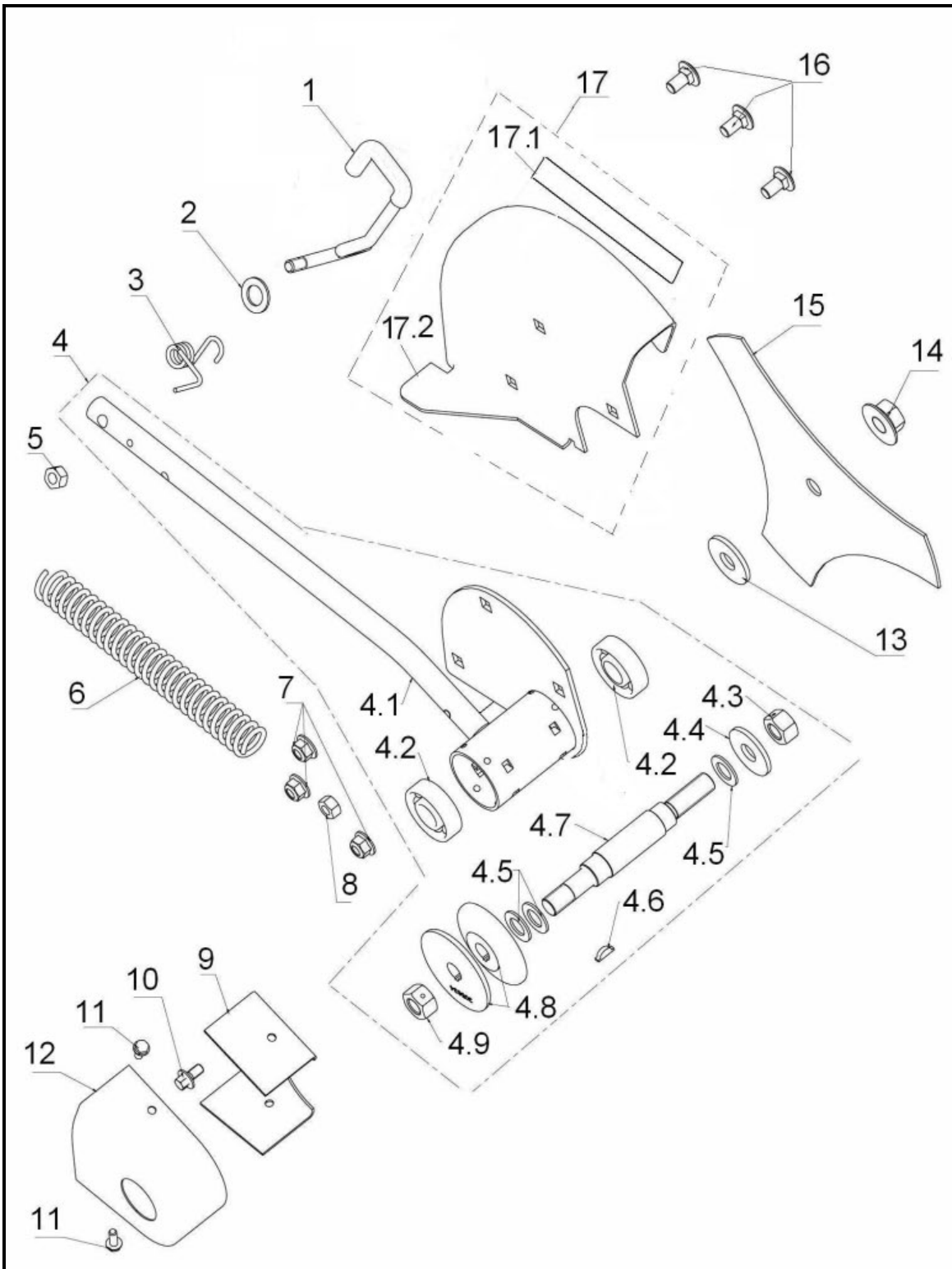
Front Wheel Assembly



Front Wheel Assembly (continued)

REF. NO.	DESCRIPTION	PART NO.	QTY
1	Nut, M10 x 1.25	<i>Reference Only</i>	1
2	Flat Washer, M10	<i>Reference Only</i>	1
3	Assembly, Height Adjust Lever	A101112	1
3.1	Knob, Rectangle	<i>Reference Only</i>	1
3.2	Lever, Height Adjust	<i>Reference Only</i>	1
4	Washer, Plastic	A100486	1
5	Spacer, Height Adjust	A101024	1
6	Bolt, M8 x 16	<i>Reference Only</i>	1
7	Plate, Height Adjust, Southland Red	A203900	1
8	Nut, M8	<i>Reference Only</i>	1
9	Assembly, Lateral Adjustment Knob	A101115	1
9.1	Knob, Molded	<i>Reference Only</i>	1
9.2	Spring	A101028	1
10	Shaft, Curb Hopping	A101029	1
11	Washer, Push Nut	A100473	1
12A	Tire & Rim, 8" O.D.	A100454	1
12B	Tire & Rim, 7" O.D. (for SWLE0799.1)	A202052	1
13	Bolt, M8 x 76	<i>Reference Only</i>	1
14	Spacer, Sleeve	A100479	1
15	Flat Washer, M8	<i>Reference Only</i>	3
16	Assembly, Front Wheel Arm, Southland Red	A203901	1
16.1	Arm, Front Wheel	<i>Reference Only</i>	1
16.2	Insert, ST8 x 1.25	A100788	1

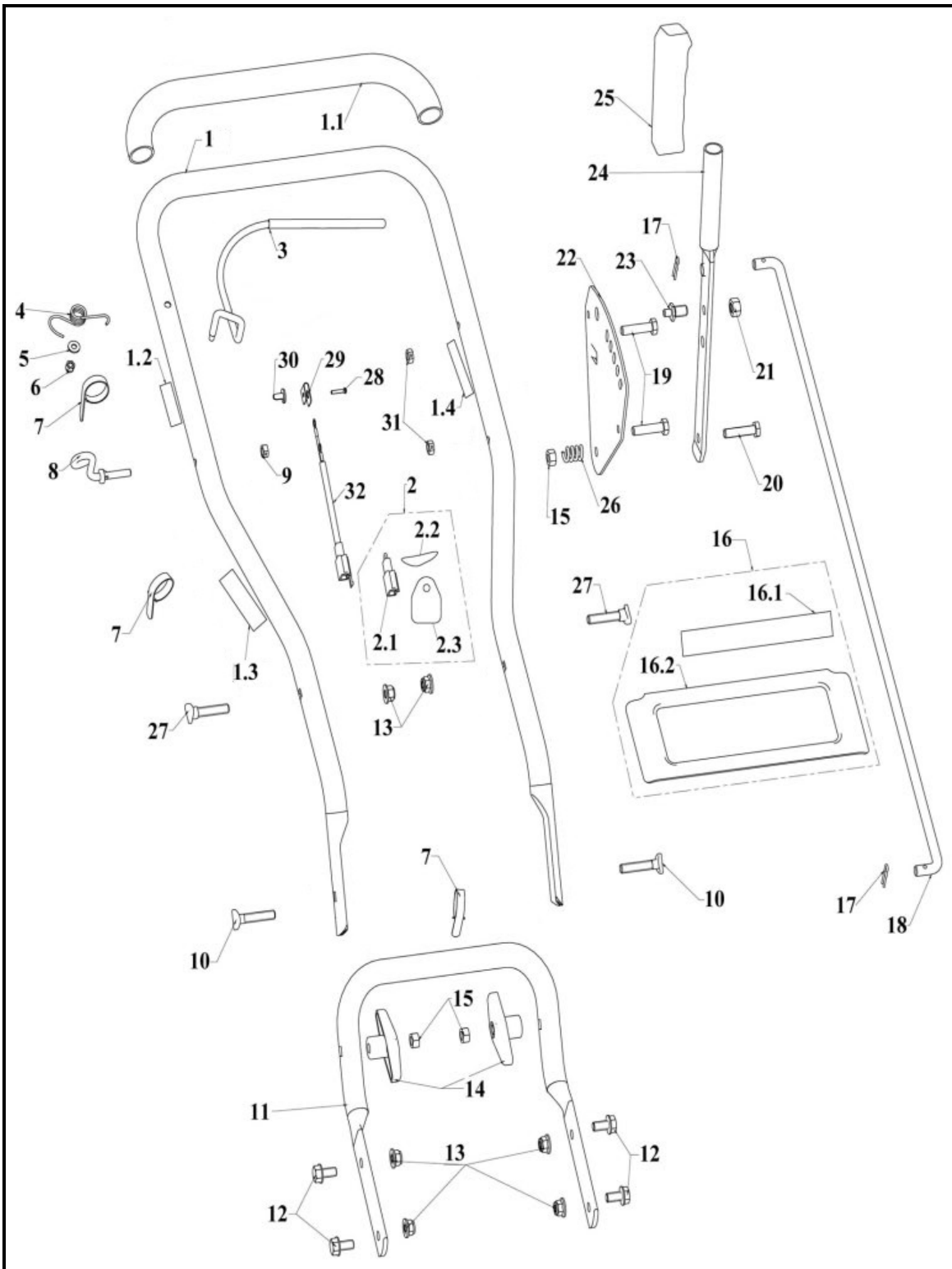
Blade Arm Assembly



Blade Arm Assembly (continued)

REF. NO.	DESCRIPTION	PART NO.	QTY
1	Lever, Index	A101121	1
2	Flat Washer, M8	<i>Reference Only</i>	1
3	Spring, Torsion	A100510	1
4	Assembly, Drive Shaft	A100987	1
4.1	Arm, Blade	A100988	1
4.2	Bearing, 6203-2RS	A100498	2
4.3	Nut, M12 x 1.25	A100496	1
4.4	Flat Washer	A100502	1
4.5	Flat Washer	A100497	3
4.6	Key	A100499	1
4.7	Shaft, Drive	A100500	1
4.8	Pulley, Half "V"	A100989	2
4.9	Nut, M12 x 1.25	A100492	1
5	Lock Nut, M8	<i>Reference Only</i>	1
6	Spring	A100507	1
7	Lock Nut, M8	<i>Reference Only</i>	3
8	Lock Nut, M6	<i>Reference Only</i>	1
9	Guide, Belt, Southland Red	A203902	1
10	Screw, M6 x 25	<i>Reference Only</i>	1
11	Screw, M5 x 12	<i>Reference Only</i>	2
12	Cover, Quill Pulley, Southland Red	A203903	1
13	Flat Washer, M12	<i>Reference Only</i>	1
14	Nut, M12 x 1.25	A100704	1
15	Blade, Edger	A100503	1
16	Bolt, Carriage	A100504	3
17	Assembly, Blade Guard, Southland Red	A203904	1
17.1	Label, Blade Danger	<i>Reference Only</i>	1
17.2	Guard, Blade	<i>Reference Only</i>	1

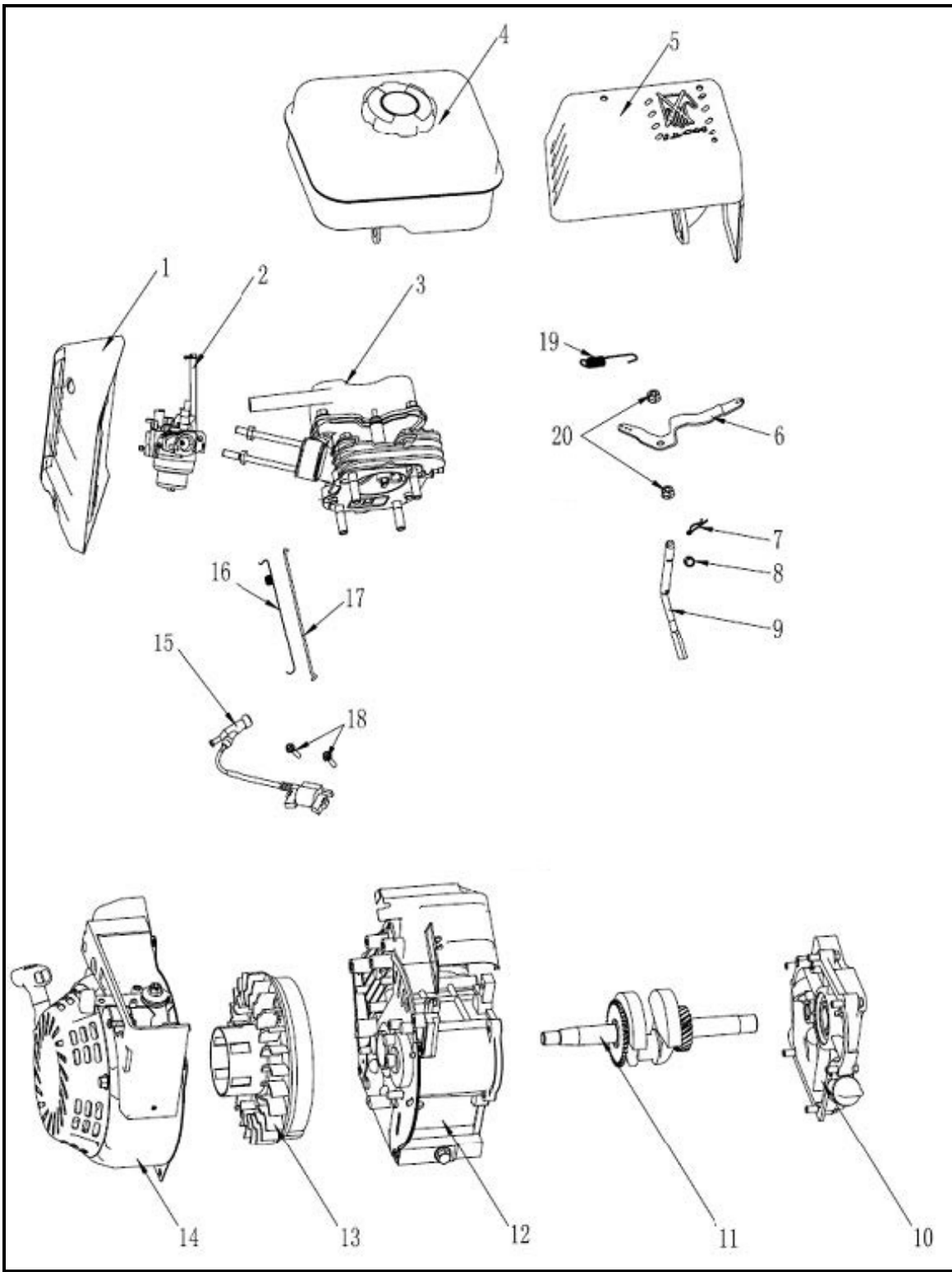
Handle Assembly



Handle Assembly (continued)

REF. NO.	DESCRIPTION	PART NO.	QTY
1	Assembly, Upper Handle	A101032	1
1.1	Tubing, Foam (not included on SWLE0799.1)	A100511	1
1.2	Label, Start/Stop	<i>Reference Only</i>	1
1.3	Label, Wire Warning	<i>Reference Only</i>	1
1.4	Label, Cutting Depth	<i>Reference Only</i>	1
2	Assembly, Grounding Terminal	<i>Reference Only</i>	1
2.1	Terminal, Grounding	<i>Reference Only</i>	1
2.2	Tie, Cable	<i>Reference Only</i>	1
2.3	Label, Wire Hang Tag	<i>Reference Only</i>	1
3	Lever, Start	A101041	1
4	Spring, Torsion	A100513	1
5	Flat Washer, M5	<i>Reference Only</i>	1
6	Lock Nut, M5	<i>Reference Only</i>	1
7	Tie, Cable	<i>Reference Only</i>	3
8	Guide, Rope	A100521	1
9	Nut, ¼-20	<i>Reference Only</i>	1
10	Bolt, Saddle	A100523	2
11	Handle, Lower	A101042	1
12	Bolt, M8 x 16	A100458	4
13	Lock Nut, M8	<i>Reference Only</i>	6
14	Knob, Wing	A101125	2
15	Lock Nut, M8	<i>Reference Only</i>	3
16	Assembly, Nameplate, Southland Red (not included on SWLE0799.1)	A203914	1
16.1	Label, Warning (not included on SWLE0799.1)	<i>Reference Only</i>	1
16.2	Nameplate (not included on SWLE0799.1)	<i>Reference Only</i>	1
17	Pin, Hair	A100533	2
18	Rod, Control	A100534	1
19	Bolt, M6 x 32	<i>Reference Only</i>	2
20	Bolt, M8 x 30	<i>Reference Only</i>	1
21	Lock Nut, M10	<i>Reference Only</i>	1
22	Plate, Depth Selector	A101047	1
23	Stud	A100530	1
24	Lever, Depth Adjust	A101048	1
25	Grip, Depth Lever	A101049	1
26	Spring, Compression	A100527	1
27	Bolt, Saddle	A101050	2
28	Screw, ST3.5 x 12.7	A100518	1
29	Clip, Grounding	A100519	1
30	Insulator, Operator Control	A100516	1
31	Lock Nut, M6	<i>Reference Only</i>	2
32	Wire, Ground	A101051	1

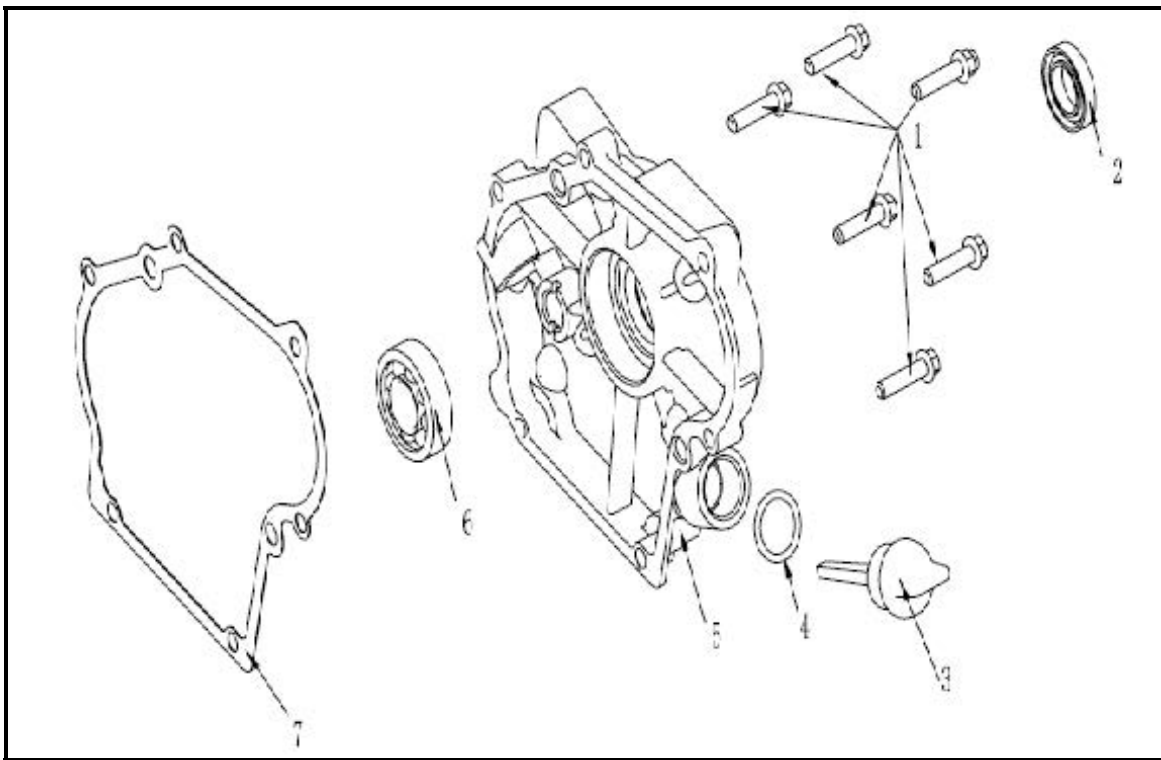
Engine - Sub Level Assembly



Engine – Sub Level Assembly (continued)

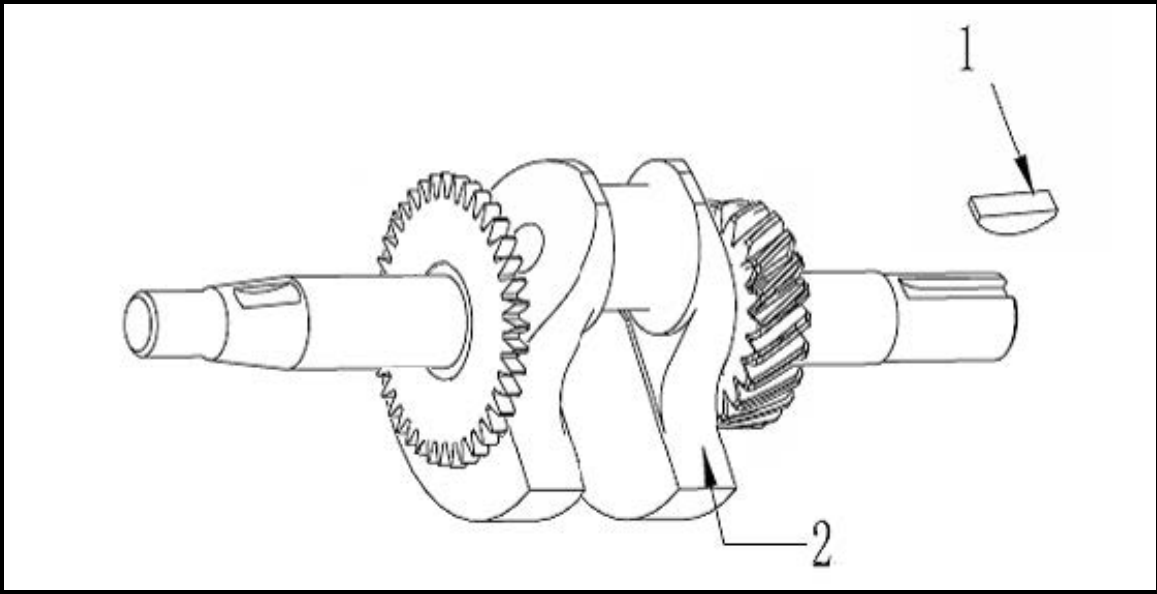
REF. NO.	DESCRIPTION	PART NO.	QTY
1	Air Filter Assembly	See Page 18	1
2	Carburetor Assembly	See Page 19	1
3	Cylinder Head Assembly	See Pages 26-27	1
4	Fuel Tank Assembly	See Page 21	1
5	Muffler Assembly	See Pages 22-23	1
6	Arm, Governor	A100640	1
7	Pin, Hair	A100636	1
8	Ring, Retaining	A100773	1
9	Crank, Governor	A100772	1
10	Crankcase Cover Assembly	See Page 16	1
11	Crankshaft Assembly	See Page 17	1
12	Crankcase Assembly	See Pages 28-29	1
13	Fly Wheel Assembly	See Page 20	1
14	Engine Side Assembly	See Pages 24-25	1
15	Coil, Ignition	A101009	1
16	Spring 2, Tension	A100638	1
17	Rod, Tension	A100639	1
18	Screw	A100724	2
19	Spring 1, Tension	A101010	1
20	Nut	A100637	2

Crankcase Cover Assembly



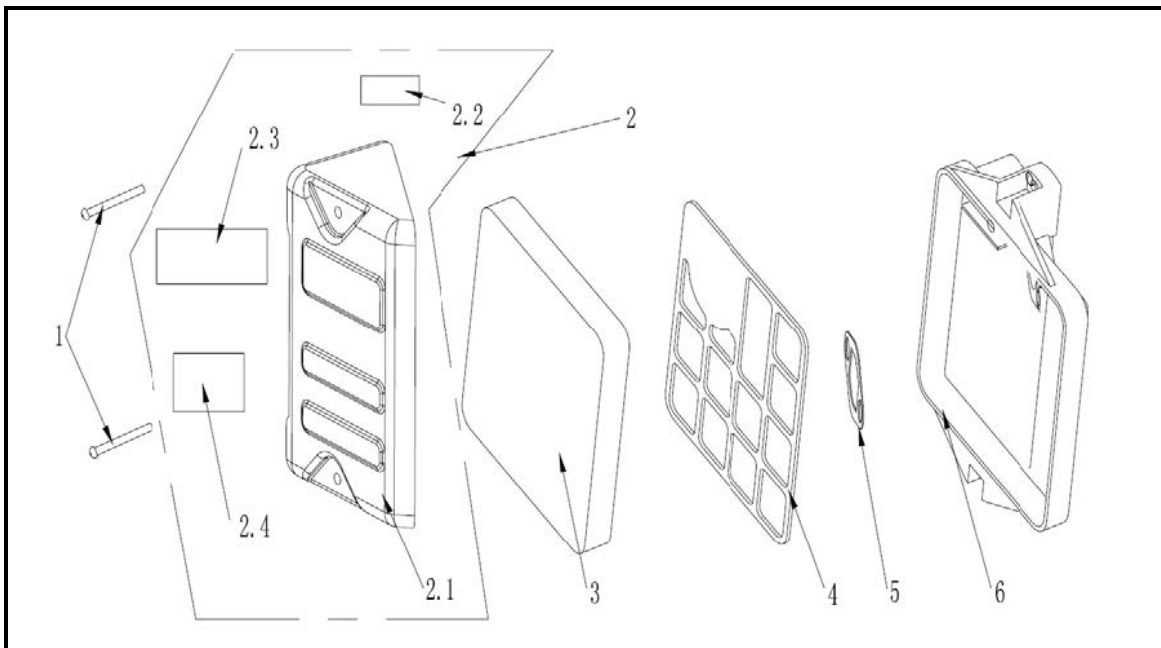
REF. NO.	DESCRIPTION	PART NO.	QTY
1	Screw	A100715	6
2	Seal, Oil	A100653	1
3	Dipstick	A100997	1
4	Oil Seal, Dipstick	A100651	1
5	Cover, Crankcase	A100716	1
6	Bearing	A100720	1
7	Gasket, Crankcase	A100650	1

Crankshaft Assembly



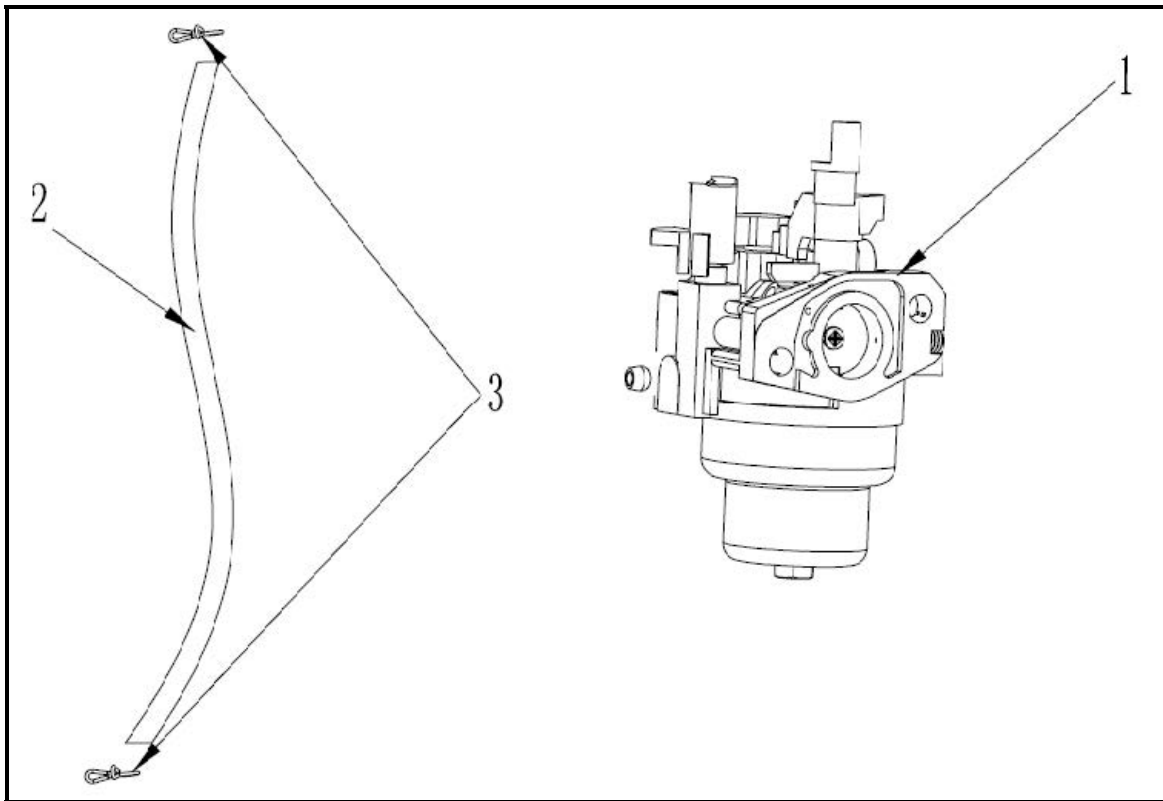
REF. NO.	DESCRIPTION	PART NO.	QTY
1	Key	A100641	1
2	Crankshaft	<i>Reference Only</i>	1

Air Filter Assembly



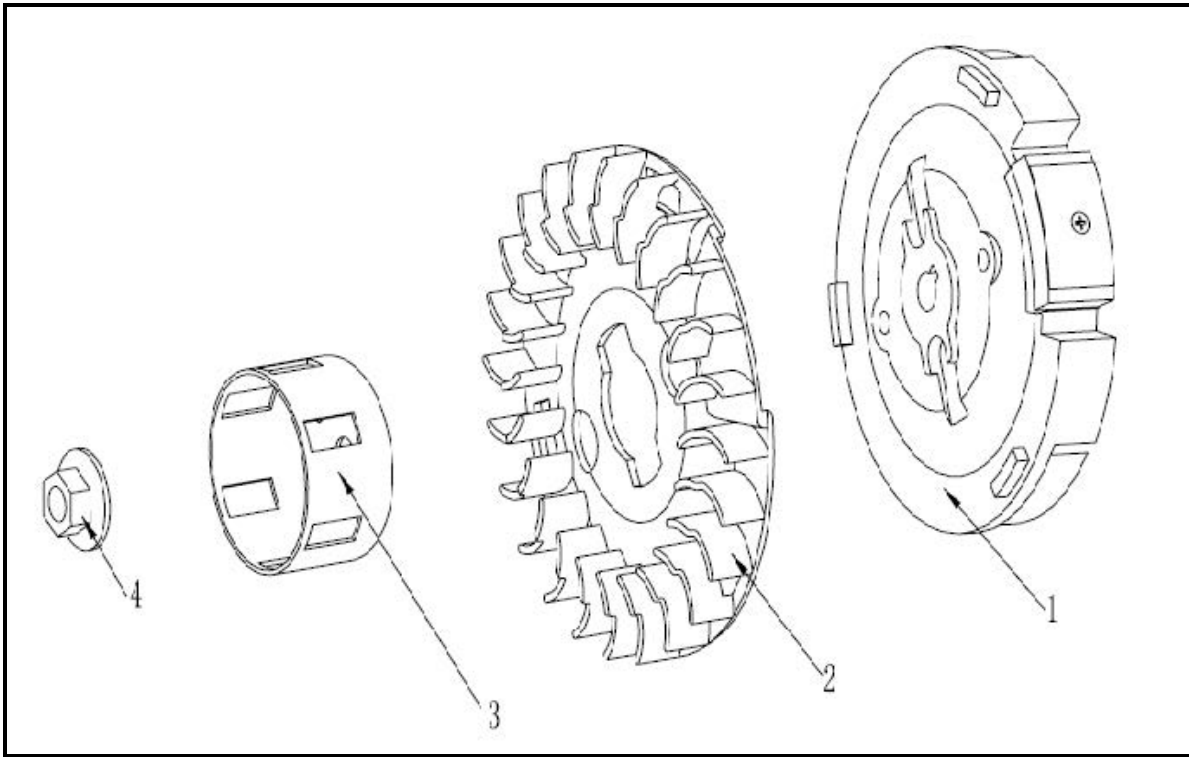
REF. NO.	DESCRIPTION	PART NO.	QTY
1	Screw	A100628	2
2	Assembly, Air Cleaner Cover	A100982	1
2.1	Cover, Air Cleaner	<i>Reference Only</i>	1
2.2	Label, Engine Choke	<i>Reference Only</i>	1
2.3	Label, Air Cleaner Maintenance	<i>Reference Only</i>	1
2.4	Label, Wheel Height	<i>Reference Only</i>	1
3	Element, Air Cleaner	A100631	1
4	Board, Sustain	A100629	1
5	Gasket, Air Cleaner	A100627	1
6	Housing, Air Cleaner	A100630	1

Carburetor Assembly



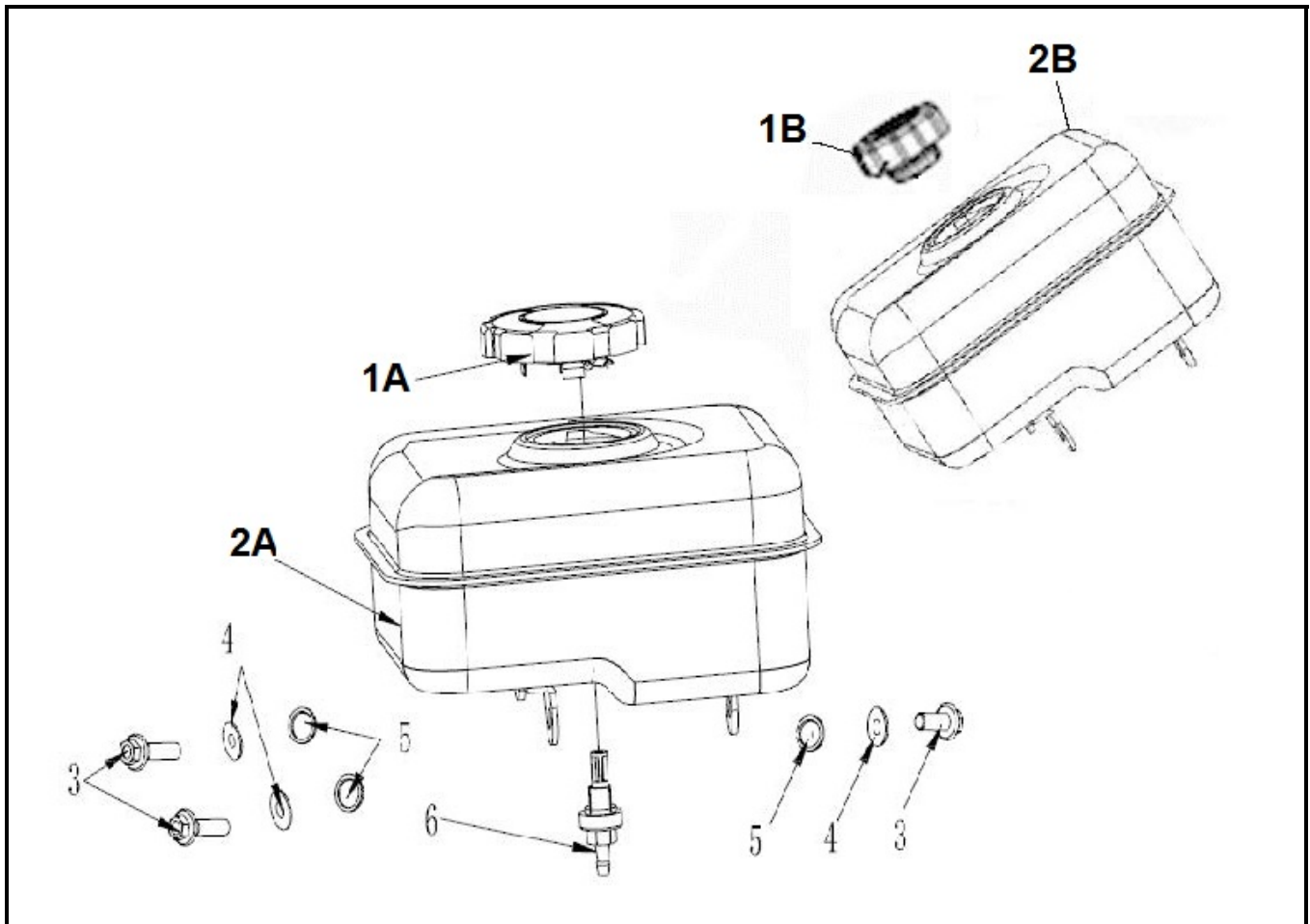
REF. NO.	DESCRIPTION	PART NO.	QTY
1	Carburetor	A100626	1
2	Hose, Fuel	A100625	1
3	Clamp, Fuel Line	A100624	2

Fly Wheel Assembly



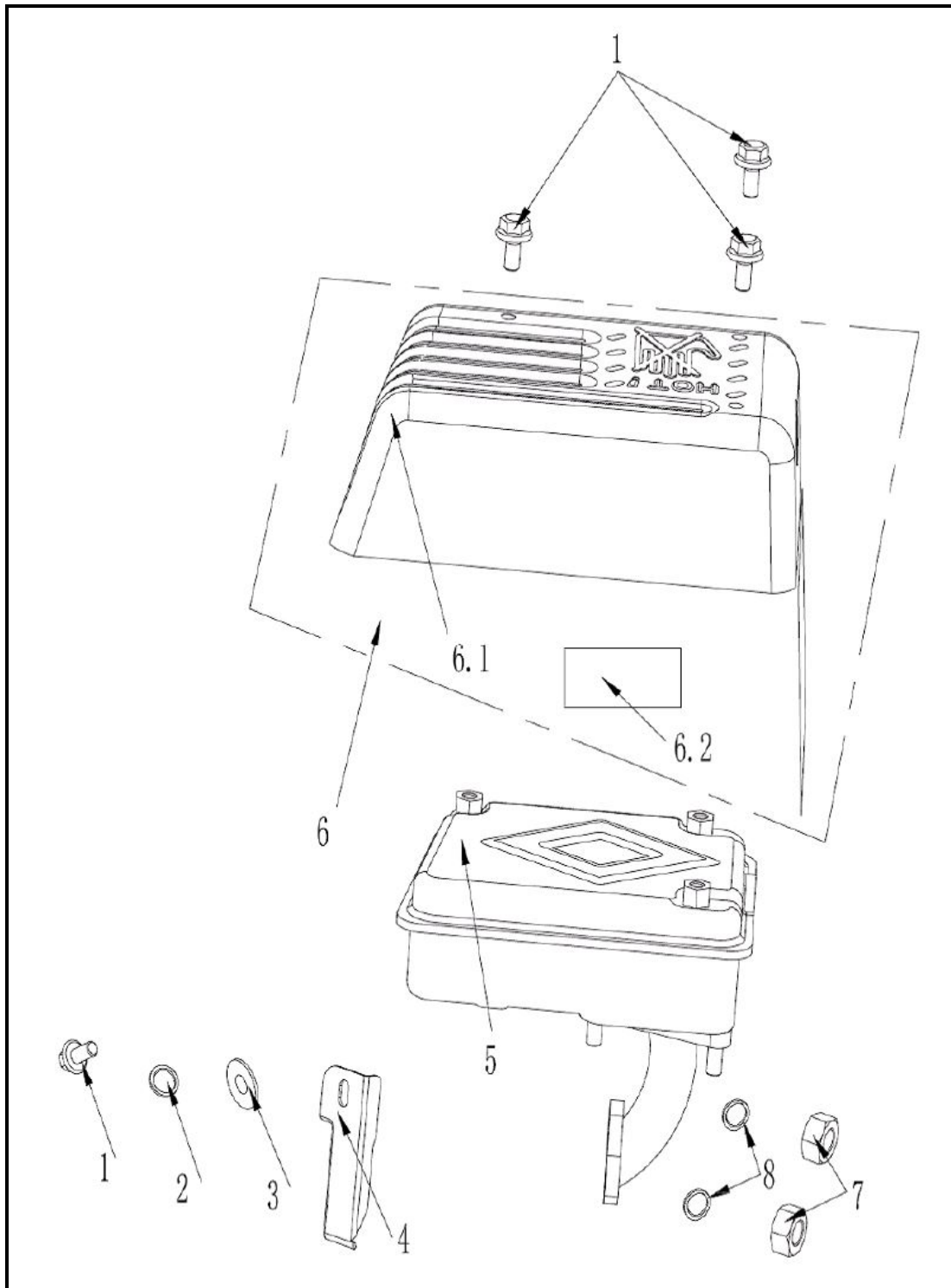
REF. NO.	DESCRIPTION	PART NO.	QTY
1	Wheel, Fly	A100780	1
2	Fan	A100609	1
3	Canister, Starter	A100785	1
4	Nut, Clamp	A100755	1

Fuel Tank Assembly



REF. NO.	DESCRIPTION	PART NO.	QTY
1A	Cap, Fuel Tank (¼ Turn Style)	A100622	1
1B	Cap, Fuel Tank (Threaded Style)	A202712	1
2A	Tank, Fuel (Accepts ¼ Turn Style Cap)	A100783	1
2B	Tank, Fuel (Accepts Threaded Style Cap)	A202711	1
3	Screw	A100718	3
4	Flat Washer	A100714	3
5	Spring Washer	A100713	3
6	Fitting/Filter, Fuel Line	A100782	1

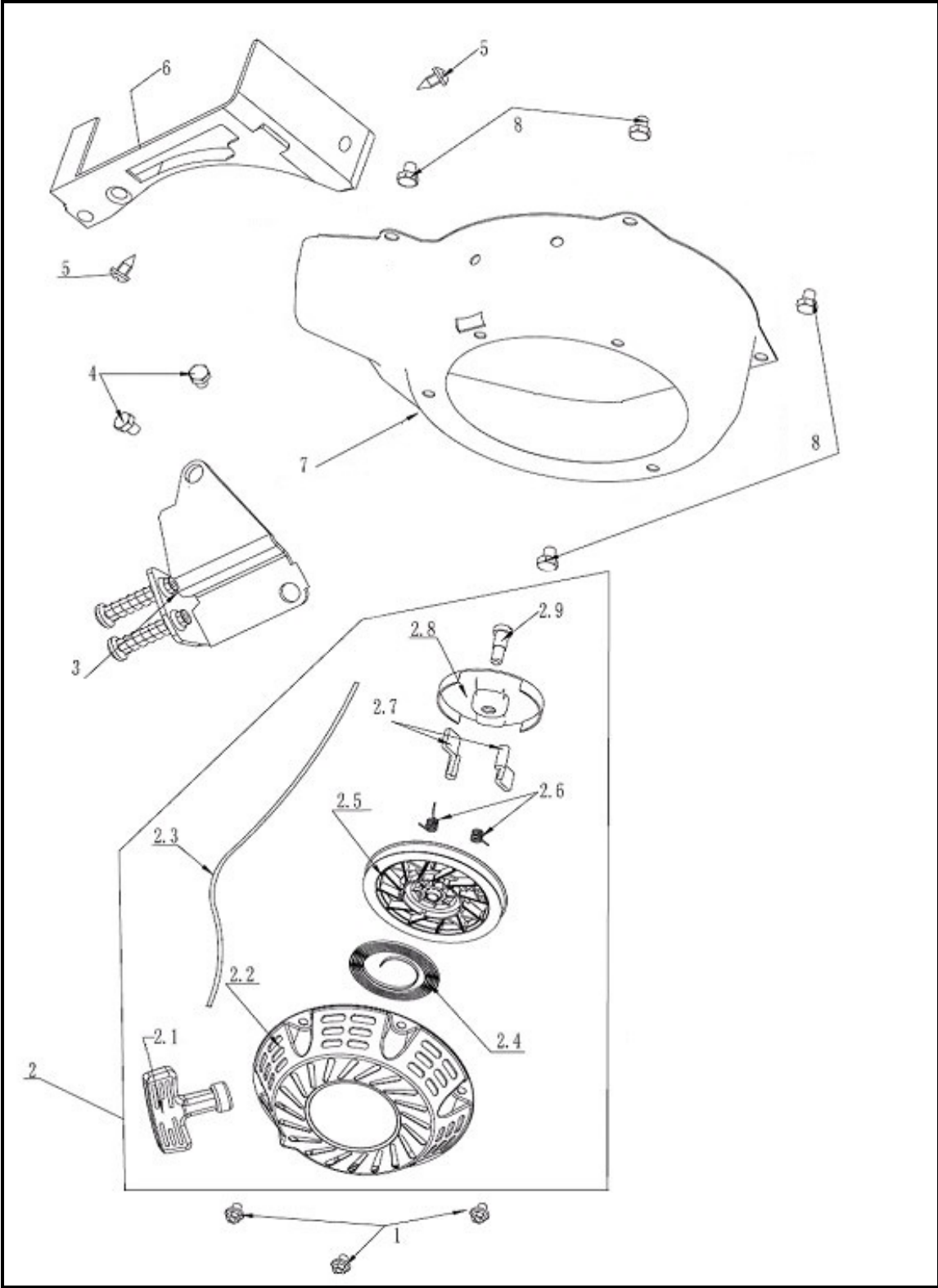
Muffler Assembly



Muffler Assembly (continued)

REF. NO.	DESCRIPTION	PART NO.	QTY
1	Bolt	A100610	4
2	Spring Washer	A100713	1
3	Flat Washer	A100714	1
4	Bracket, Muffler	A100781	1
5	Muffler	A100845	1
6	Assembly, Muffler Cover	A101052	1
6.1	Cover, Muffler	<i>Reference Only</i>	1
6.2	Label, Hot Surface	<i>Reference Only</i>	1
7	Nut	A100736	2
8	Spring Washer	A100737	2

Engine Side Assembly



Engine Side Assembly (continued)

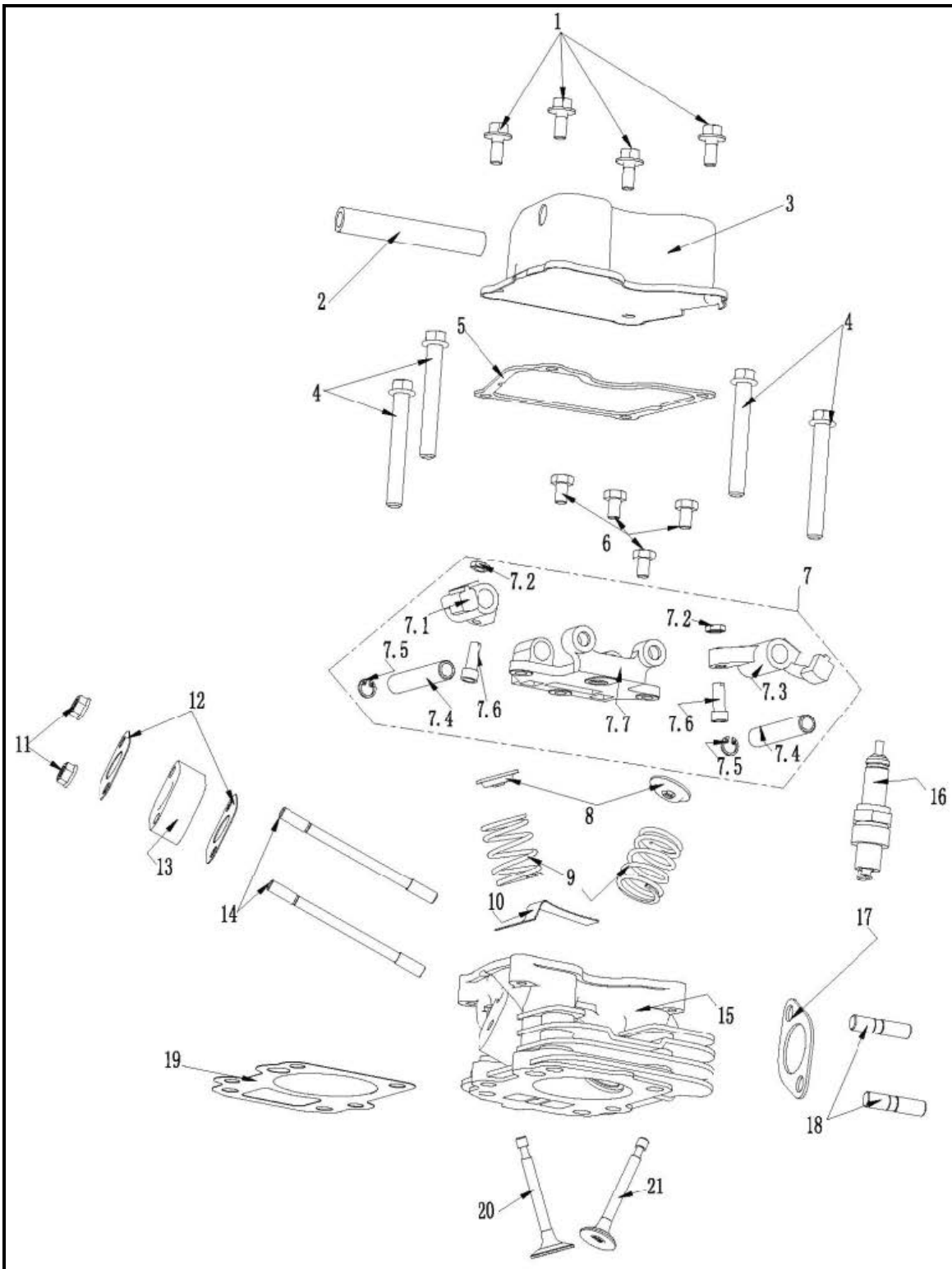
REF. NO.	DESCRIPTION	PART NO.	QTY
1	Screw	A100607	3
2	Assembly, Starter NOTE: See Note Below	A100998	1
2.1	Handle, Recoil Starter	A100980	1
2.2	Cover, Starter	<i>Reference Only</i>	1
2.3	Rope, Starter	A100999	1
2.4	Spring, Wind	<i>Reference Only</i>	1
2.5	Spool	<i>Reference Only</i>	1
2.6	Spring, Return	<i>Reference Only</i>	2
2.7	Ratchet	<i>Reference Only</i>	2
2.8	Pan, Guide	<i>Reference Only</i>	1
2.9	Screw	<i>Reference Only</i>	1
3	Mechanism, RPM Adjusting	A101001	1
4	Screw	A100607	2
5	Screw	A100605	2
6	Panel, Engine Side	A100786	1
7	Cover, Engine Side	A100608	1
8	Screw	A100610	4

NOTE: If lawn edger being worked on was produced prior to September of 2009, the following information applies to your unit.

If you need a replacement recoil starter assembly (Ref. No. 2), a direct replacement part is no longer available. It will be necessary to purchase the replacement recoil starter assembly and replacement engine side cover listed above (Ref. No. 2 and 7). Replacing the engine side cover will allow the replacement recoil starter listed here to bolt onto this unit and function properly. Likewise, if this lawn edger requires only the engine side cover (Ref. No. 7), you must replace the recoil starter assembly as well, as the original recoil starter will not fit.

This is due to a change in design of the recoil starter assembly and engine side cover used on units produced in September 2009 and later.

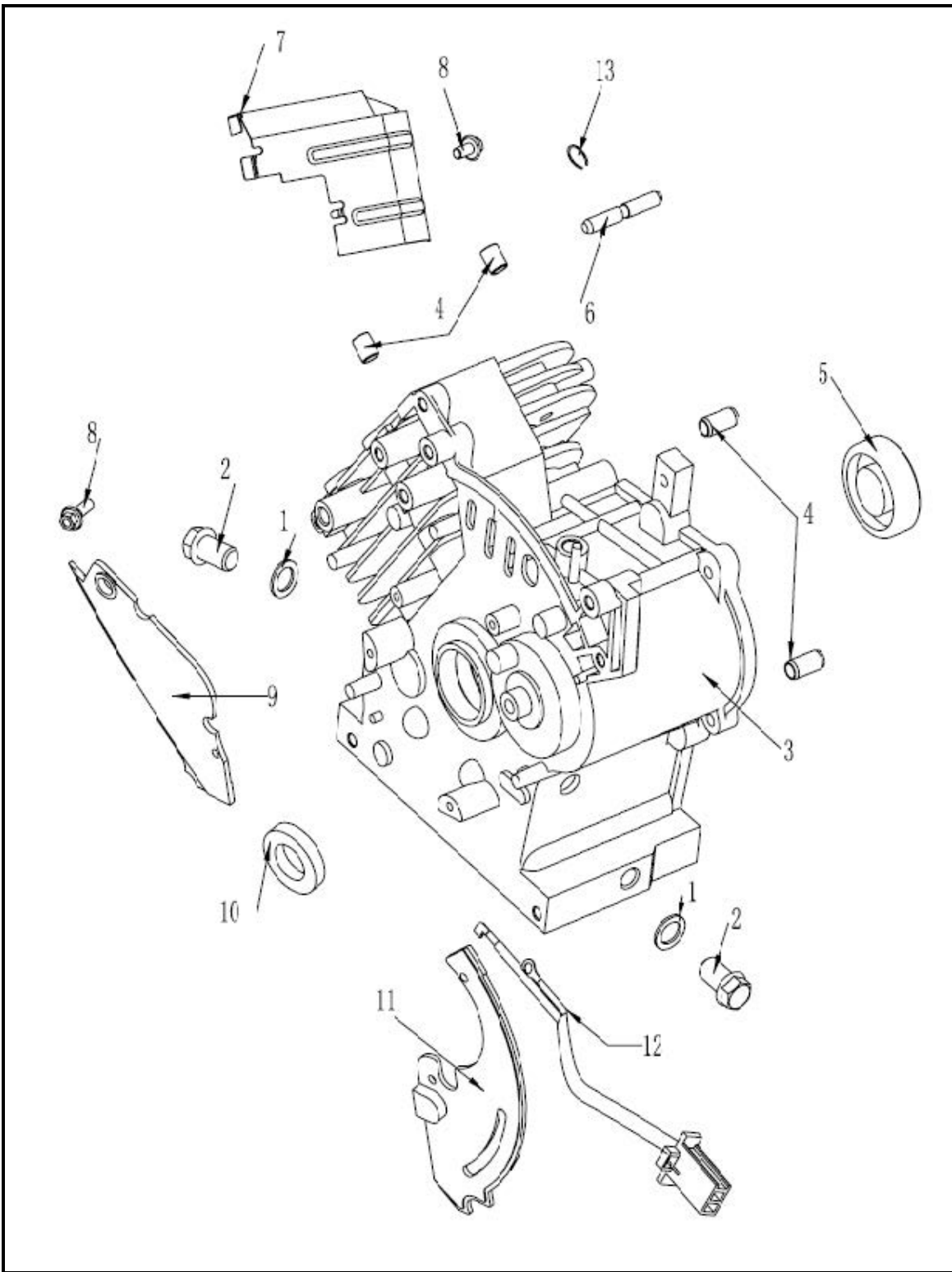
Cylinder Head Assembly



Cylinder Head Assembly (continued)

REF. NO.	DESCRIPTION	PART NO.	QTY
1	Screw	A100610	4
2	Tube, Breather	A100642	1
3	Cover, Cylinder Head	A100645	1
4	Screw, Cylinder Head	A100731	4
5	Gasket, Cylinder Head Cover	A100646	1
6	Screw	A100754	4
7	Assembly, Rocker Arm	A100738	1
7.1	Arm, Left	<i>Reference Only</i>	1
7.2	Adjusting Nut, Valve Clearance	<i>Reference Only</i>	2
7.3	Arm, Right	<i>Reference Only</i>	1
7.4	Shaft, Rocker	<i>Reference Only</i>	2
7.5	Ring, Retaining	<i>Reference Only</i>	2
7.6	Adjusted Stud, Valve Clearance	<i>Reference Only</i>	2
7.7	Bracket, Rocker	<i>Reference Only</i>	1
8	Upper Retainer, Door Spring	A100746	2
9	Spring, Valve	A100747	2
10	Spring, Retainer Intake Door	A100749	1
11	Nut	A100734	2
12	Gasket, Inlet Pipe	A100648	2
13	Spacer, Heat Insulating	A100647	1
14	Bolt, Intake Pipe	A100733	2
15	Head, Cylinder	A100732	1
16	Spark Plug	A100643	1
17	Gasket, Exhaust Pipe	A100644	1
18	Bolt, Exhaust Pipe	A100735	2
19	Gasket, Cylinder Head	A100649	1
20	Valve, Intake	A100751	1
21	Valve, Exhaust	A100748	1

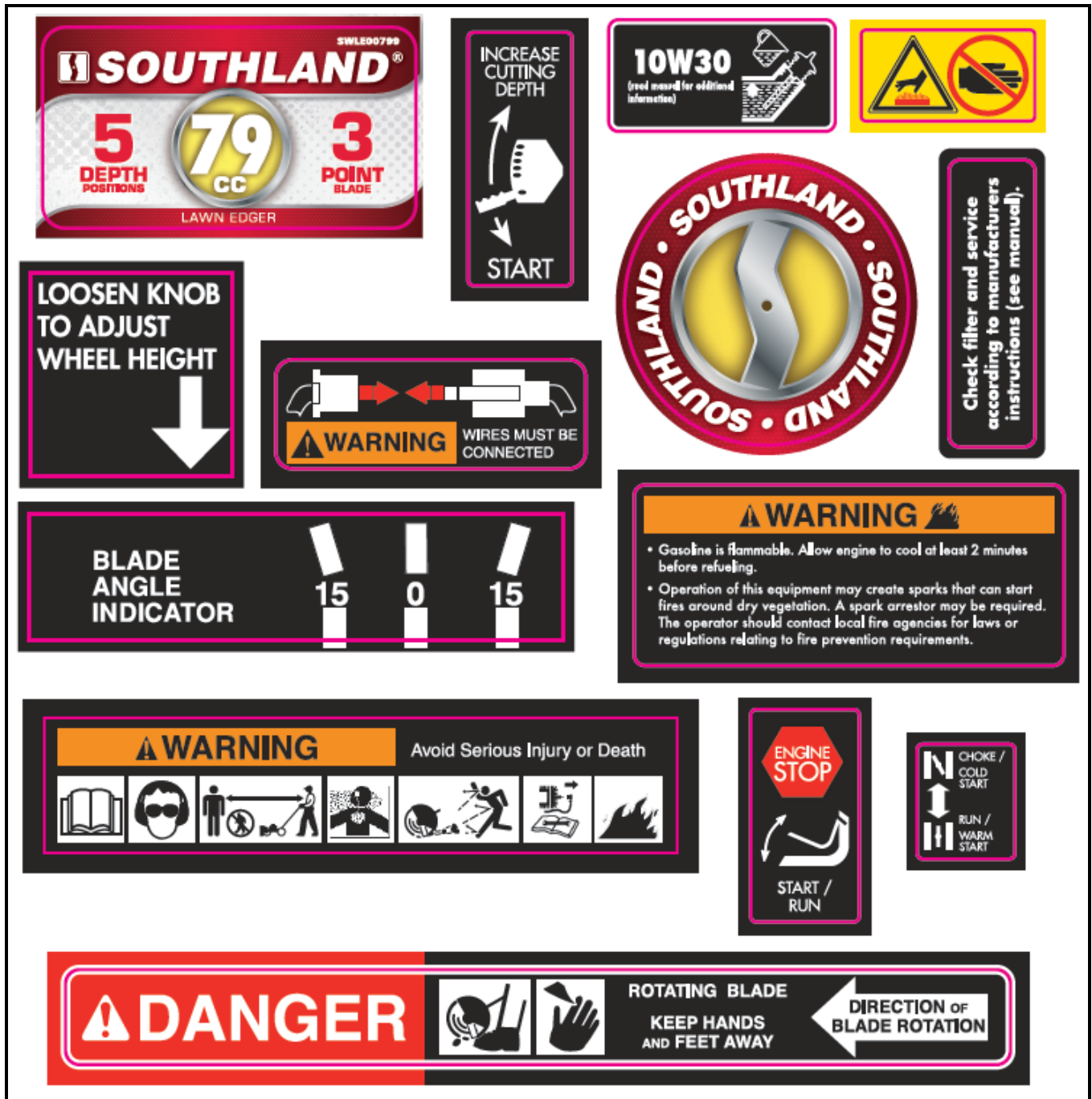
Crankcase Assembly



Crankcase Assembly (continued)

REF. NO.	DESCRIPTION	PART NO.	QTY
1	Washer, Drain Plug	A100721	2
2	Plug, Drain	A100722	2
3	Body, Crankcase	A100723	1
4	Dowel, Guide	A100717	4
5	Bearing	A100719	1
6	Pin	A100728	1
7	Shield	A100727	1
8	Screw	A100610	2
9	Shield, Crankcase 1	A100725	1
10	Seal, Oil	A100653	1
11	Shield, Crankcase 2	A100726	1
12	Wire, Engine Ground	A100996	1
13	Spring, Snap	A100729	1

Decal Kit



REF. NO.	DESCRIPTION	PART NO.	QTY
1	Decal Kit	A203547	1