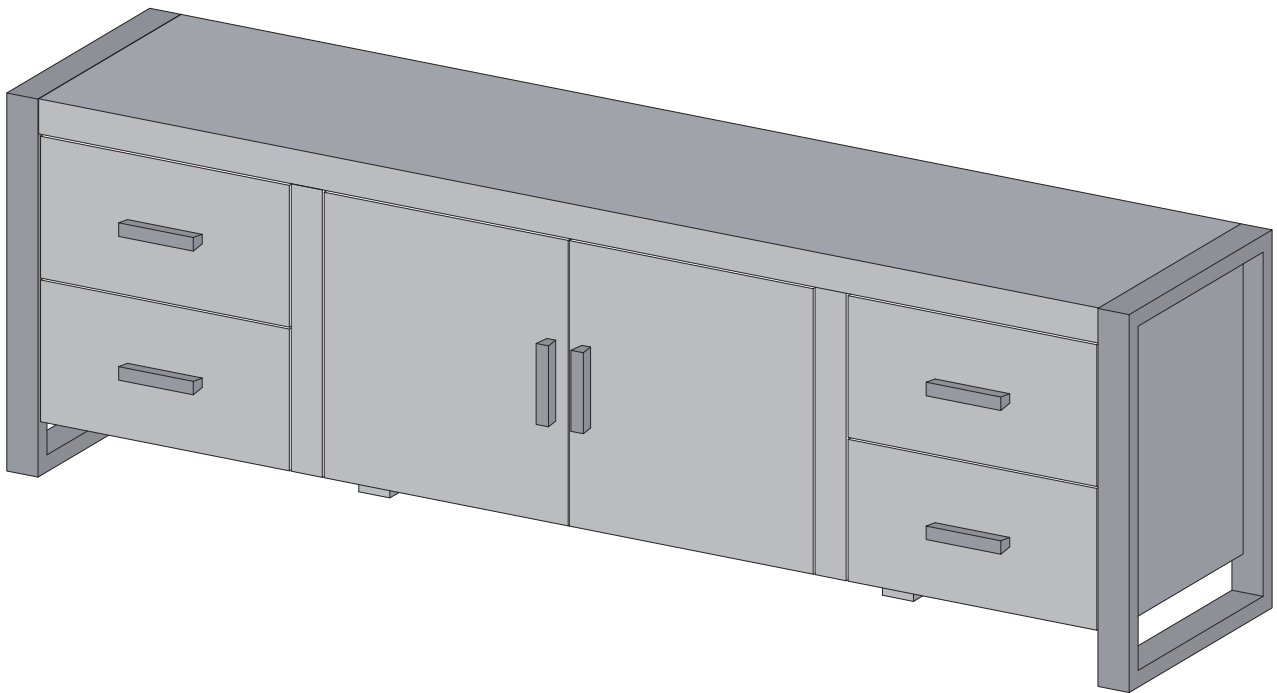


W Walker
Edison
furniture company

Item # :W70UBC22
Assembly Instructions

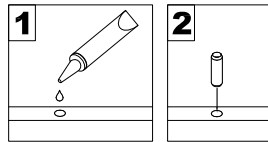


For our most current instructions, to request missing, lost or broken parts, or for any other Customer Service issues, please visit our website at www.walkeredison.com or call us at 877-207-5906.

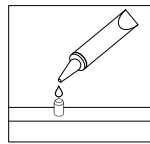
Revised 06/2014

General Assembly Guidelines

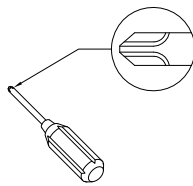
- I. Ensure that all parts and hardware are available before beginning assembly.
- II. Follow each step carefully to ensure the proper assembly of this product.
- III. Two people are recommended for ease in the assembly of this product.
- IV. The three main types of hardware used to assemble this product are : wood dowels , screws and bolts.
- V. The provided glue is to secure wood dowels in place . When first inserting dowels , locate the appropriate hole for the dowel , place a small amount of glue in the hole and insert the dowel . Wipe away excess glue immediately.



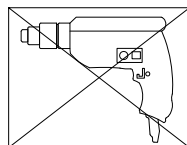
In future assembly steps when dowels are necessary to attach assembly parts together , place a small amount of glue on the end of the dowel before attaching parts together . Wipe away excess glue immediately.



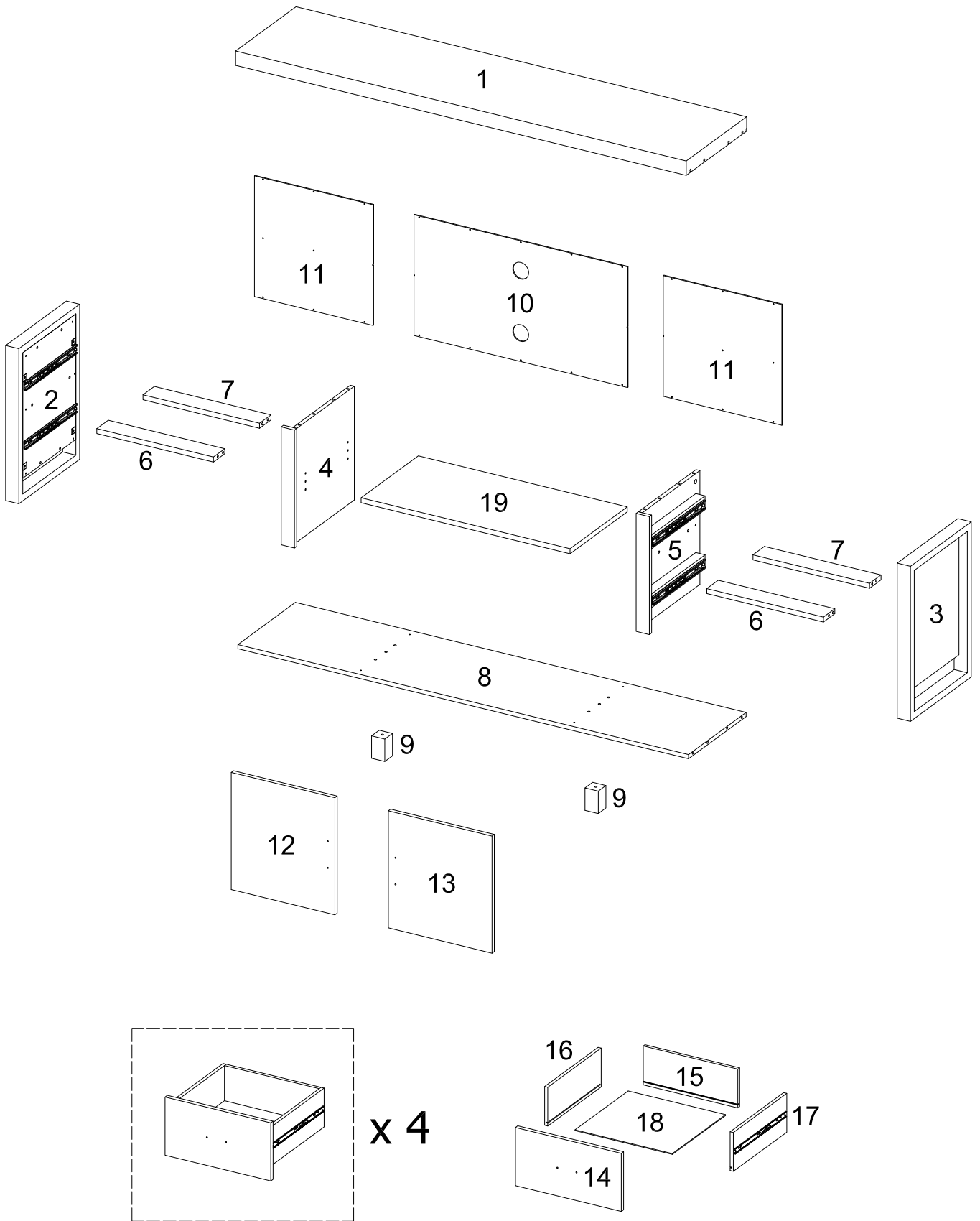
- VI. A Phillips head screwdriver is required for the assembly of this product .







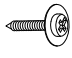
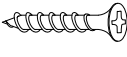
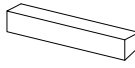
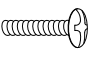
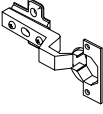

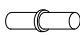
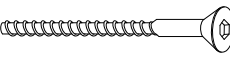
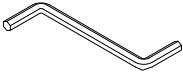

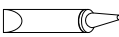
- VII. Power tools should not be used to assemble this product .

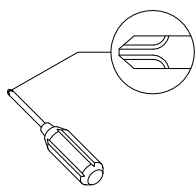


Parts List



Hardware List

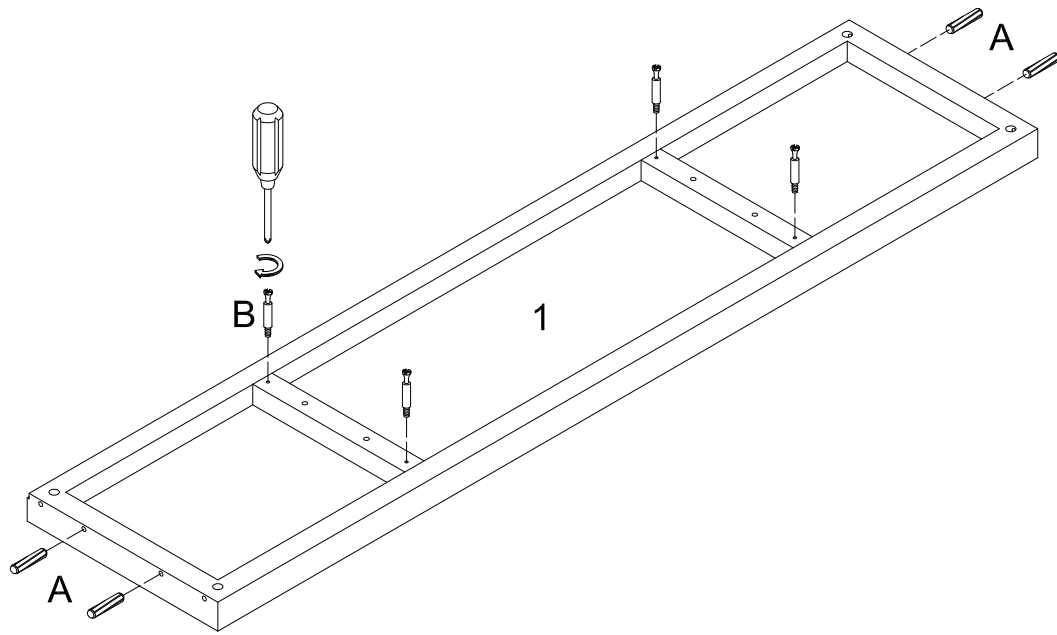
A		Ø8x30mm	Wooden dowel	24 pcs
B			Cam bolt	36 pcs
C		Ø15x11mm	Cam lock	20 pcs
D		Ø15x9.5mm	Cam lock	16 pcs
E		Ø7x3x12mm	Screw	28 pcs
F		Ø8x4x32mm	Screw	16 pcs
G			Handle	6 pcs
H		Ø4x22mm	Bolt	12 pcs
J			Hinge	4 pcs
K		Ø3.5x15mm	Screw	16 pcs
L		Ø8x5x16mm	Shelf support pin	4 pcs
M		Ø6x50mm	Bolt	6 pcs
N		M4mm	Wrench	1 pc
P			Sticker	36 pcs
Q			Glue tube	2 pcs



Philips head screwdriver required for assembly
(not included)

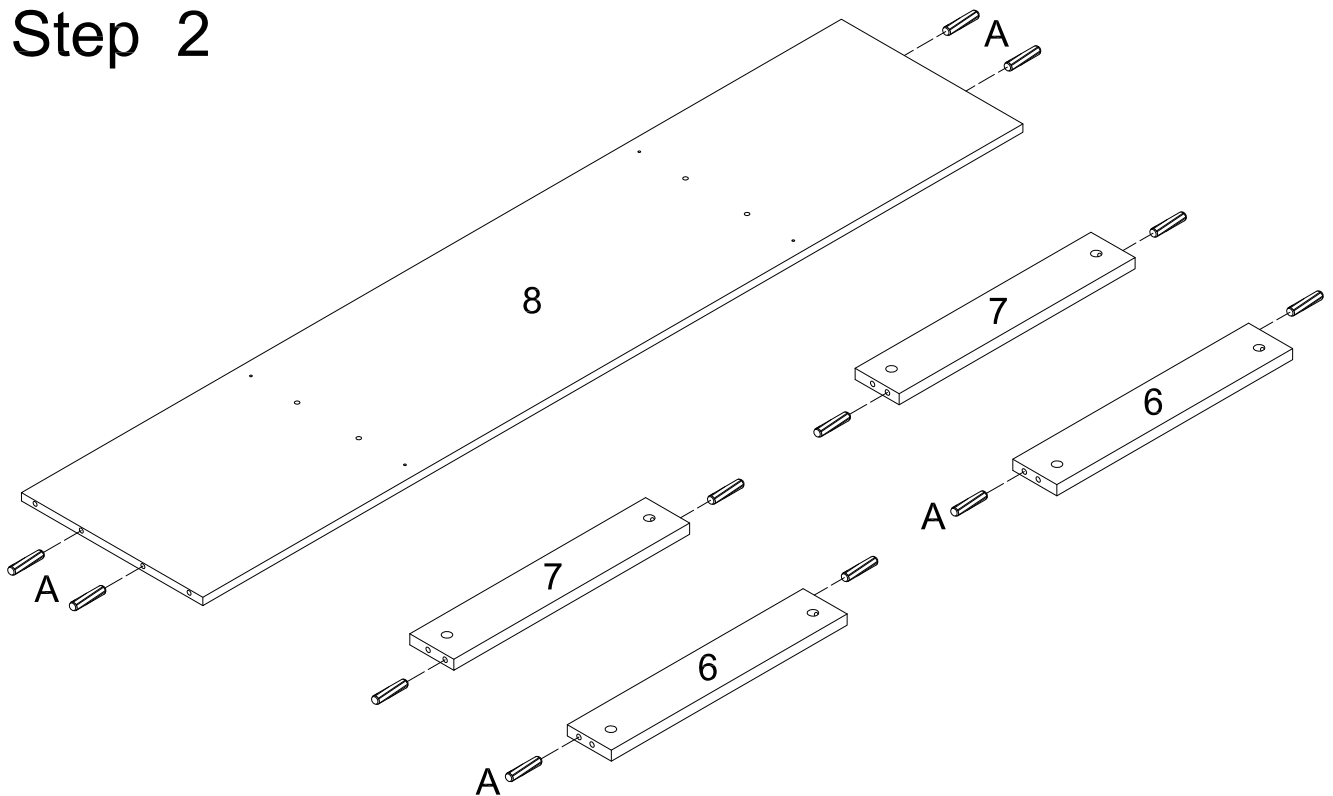
*The hardware quantities listed above are required for proper assembly.
Some extra hardware may also have been included.*

Step 1



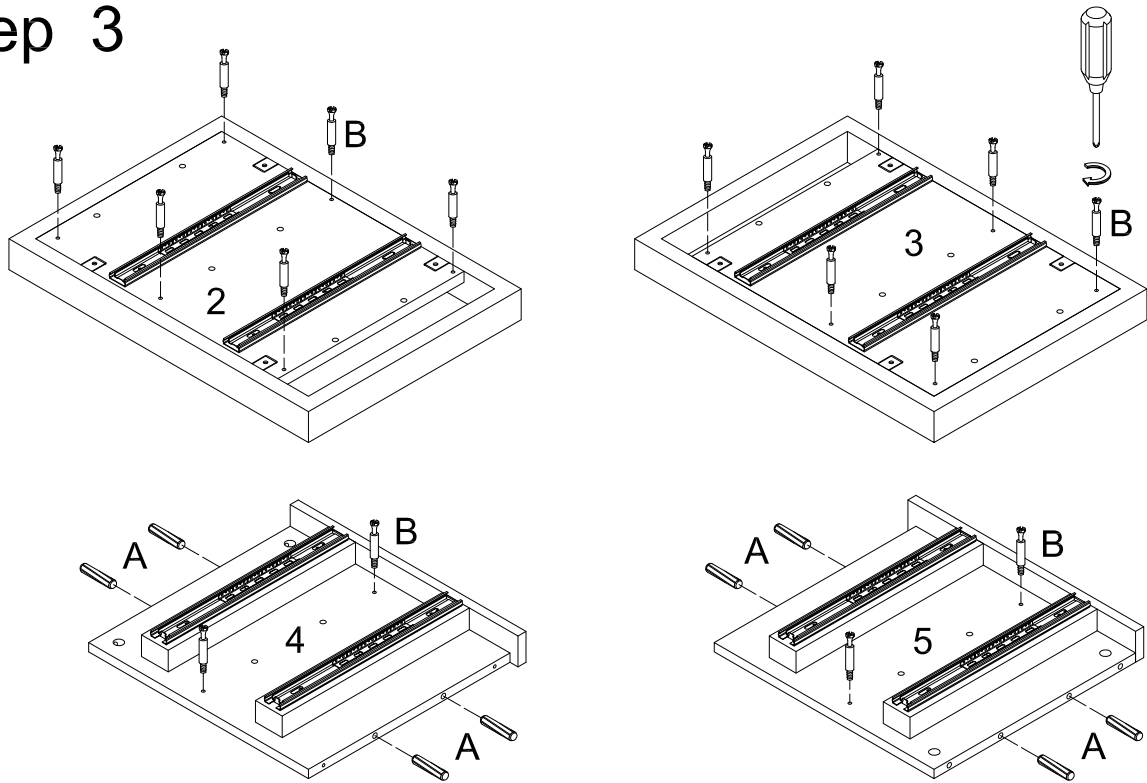
Secure cam bolts (B) and insert wooden dowels (A) into top panel (1).

Step 2



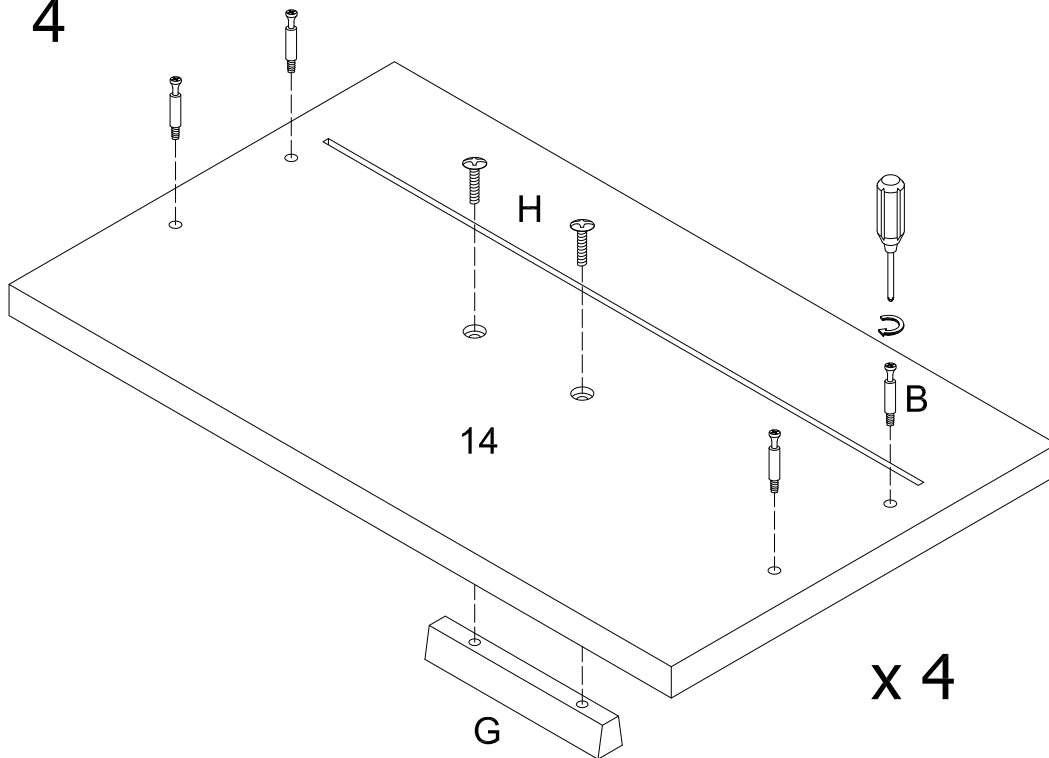
Insert wooden dowels (A) into bottom panel (8) and support bars (6,7).

Step 3



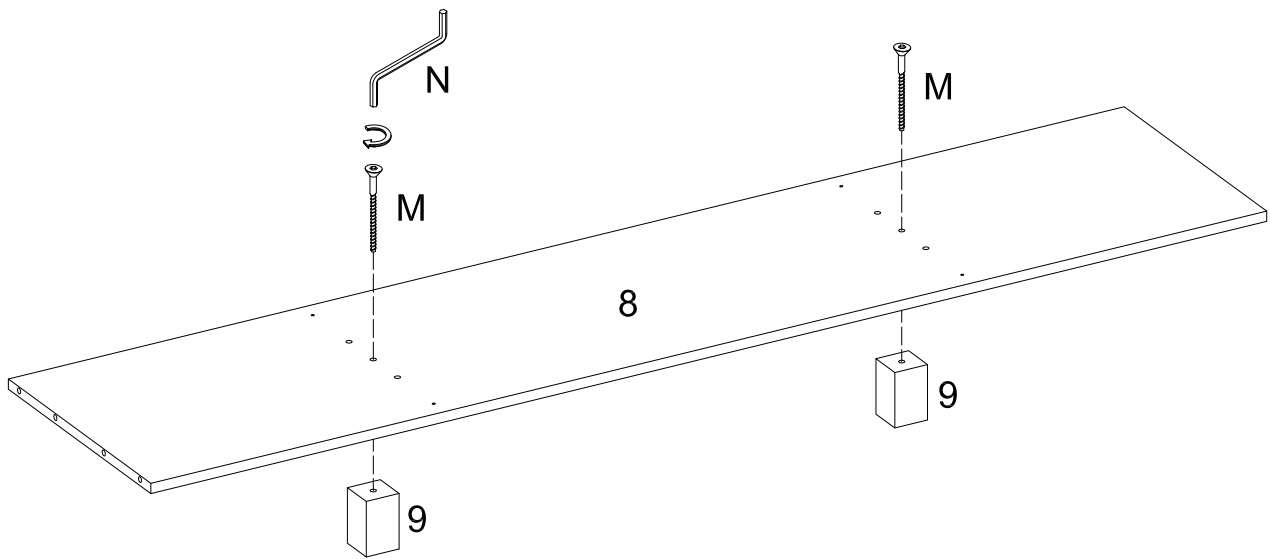
Secure cam bolts (B) into panels (2,3,4,5). Insert wooden dowels (A) into panels (4,5).

Step 4



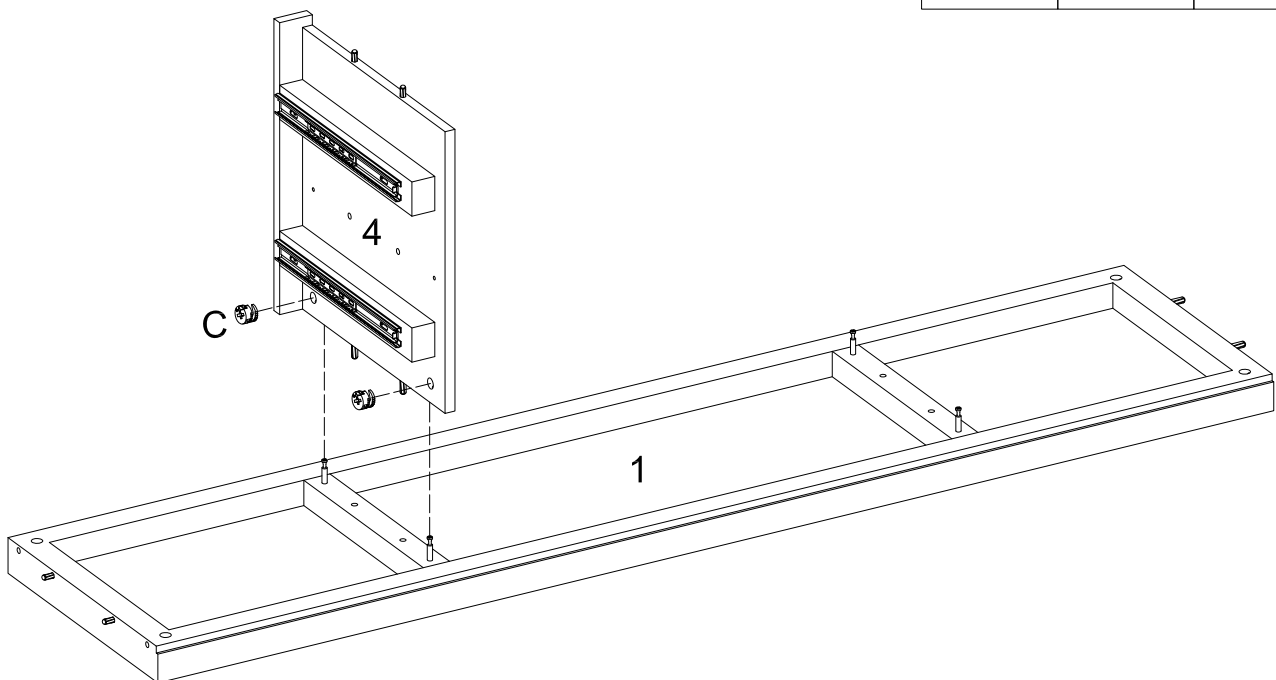
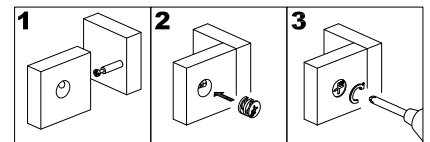
Attach drawer handle (G) using bolts (H) and secure cam bolts (B) into drawer panels (14).

Step 5



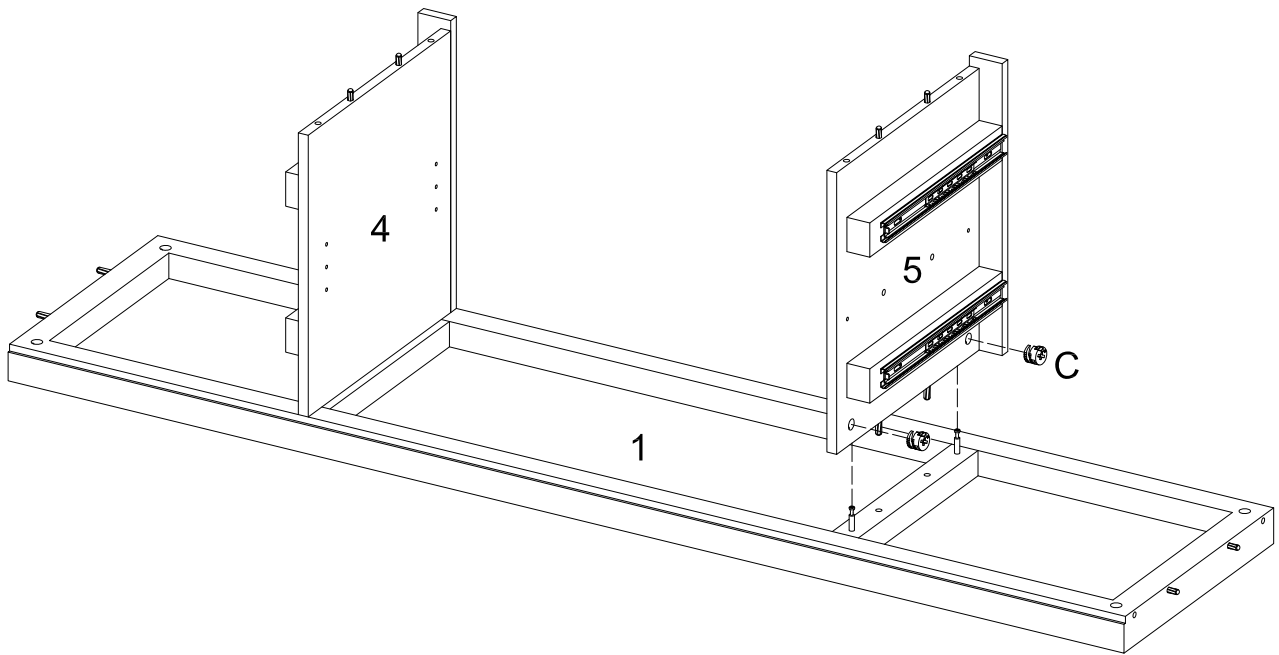
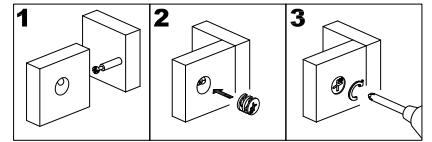
Secure legs (9) to bottom panel (8) using screws (M).

Step 6



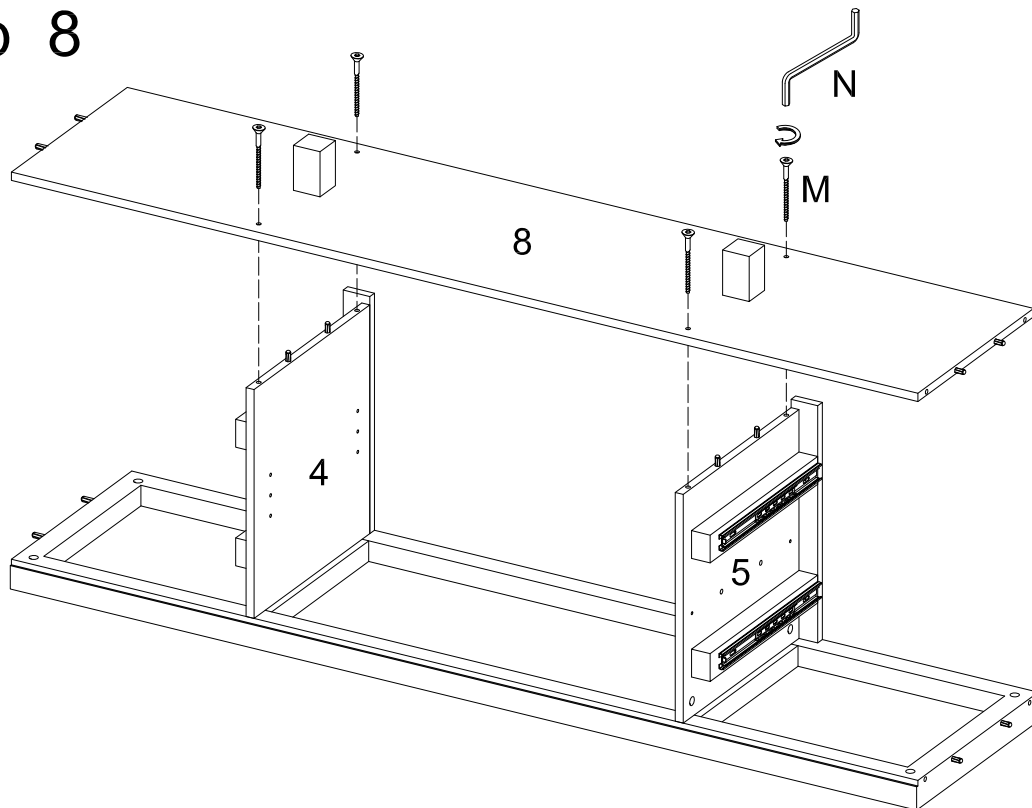
Attach side panel (4) to top panel (1) using cam locks (C).

Step 7



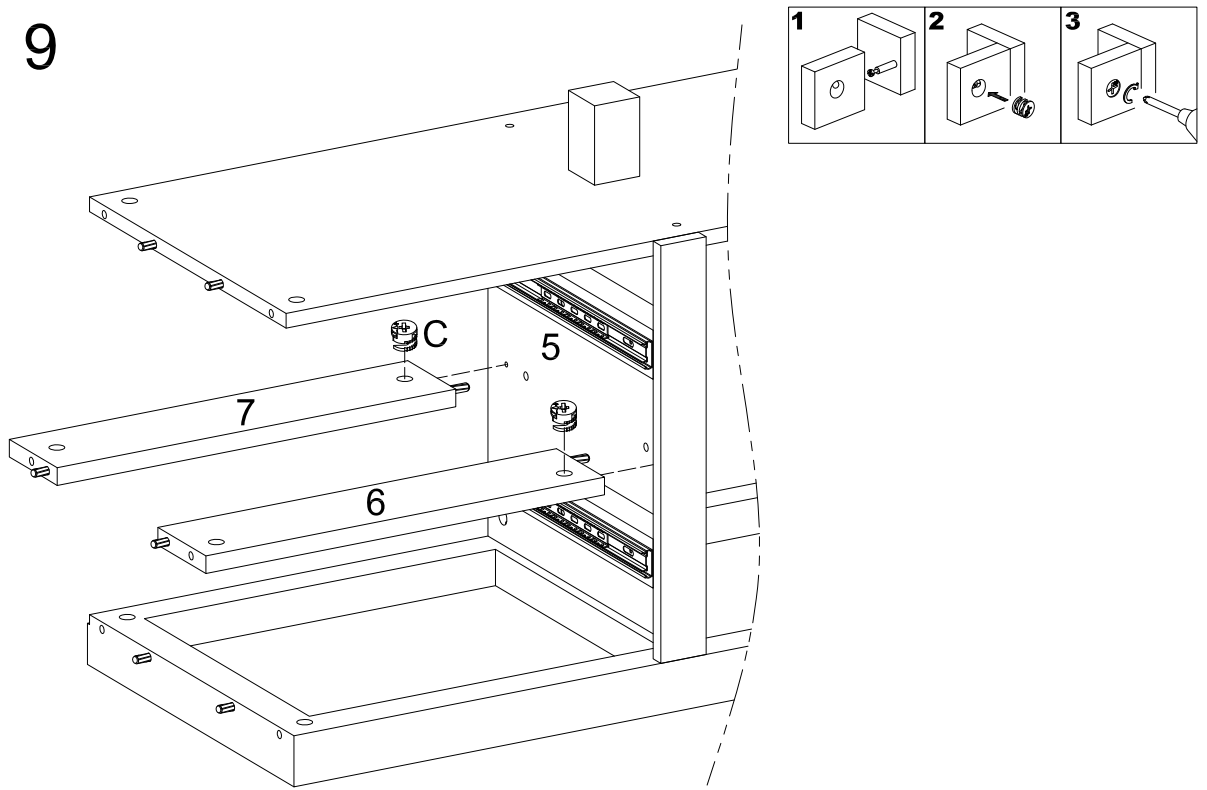
Attach side panel (5) to top panel (1) using cam locks (C).

Step 8



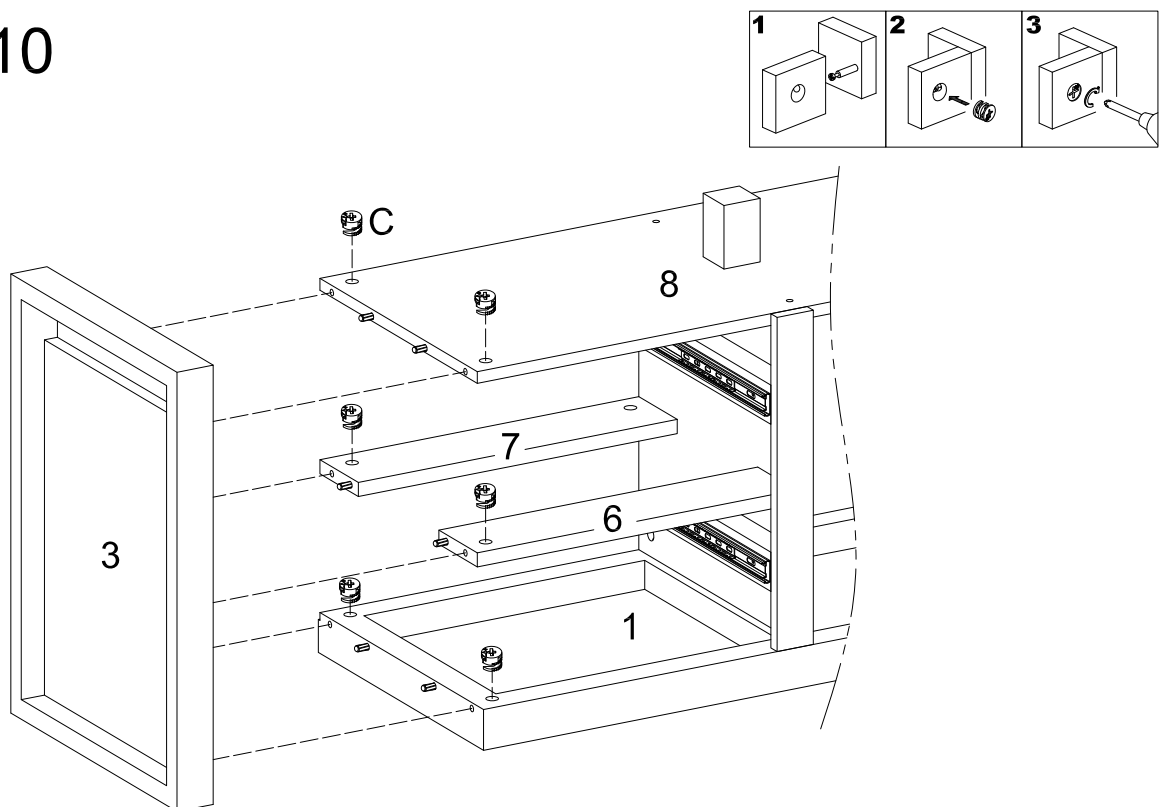
Attach bottom panel (8) to side panels (4,5) using screws (M).

Step 9



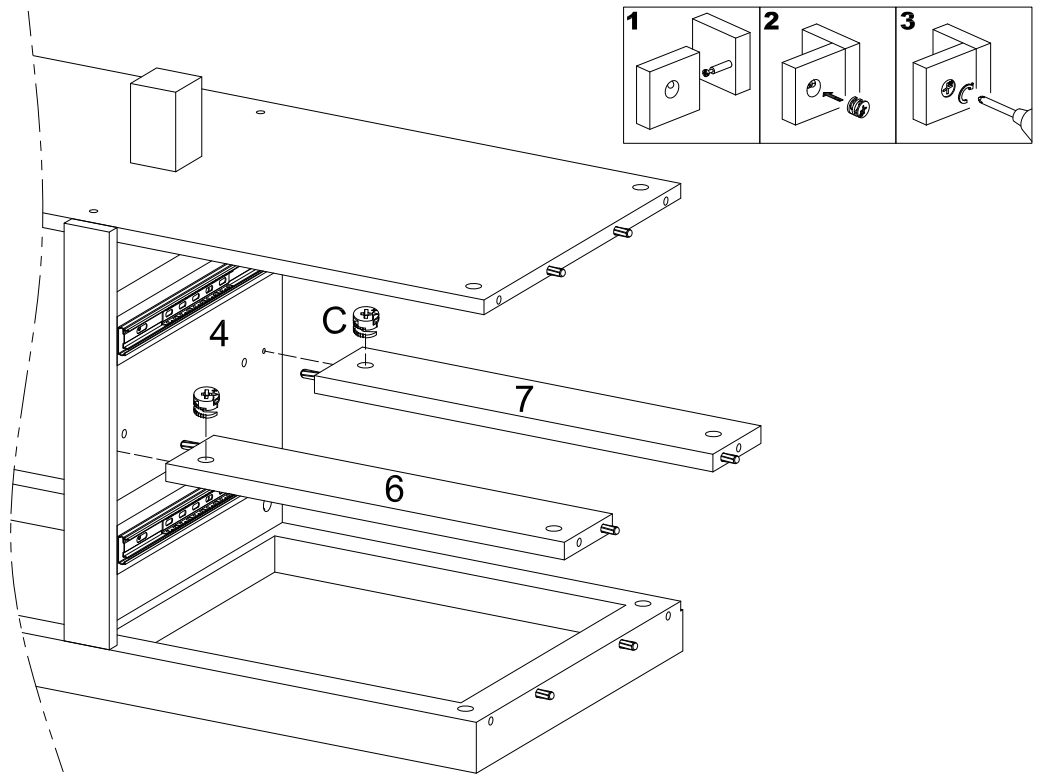
Attach support bars (6,7) to side panel (5) using cam locks (C).

Step 10



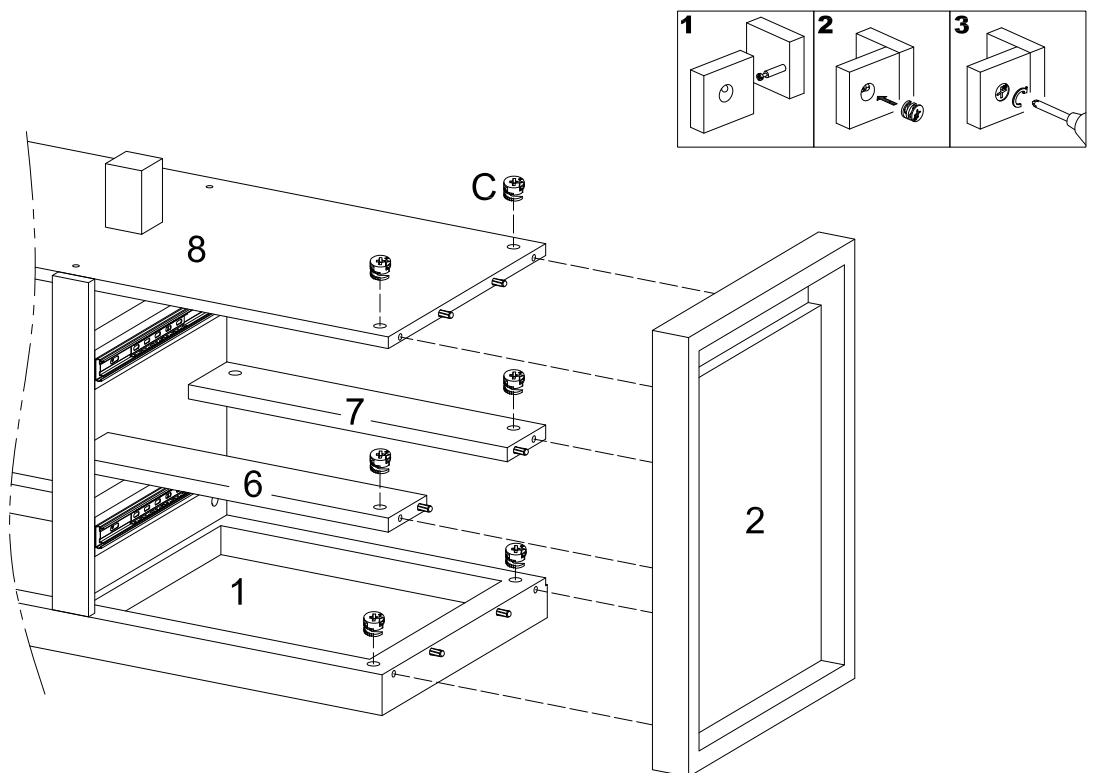
Attach side panel (3) to unit using cam locks (C).

Step 11



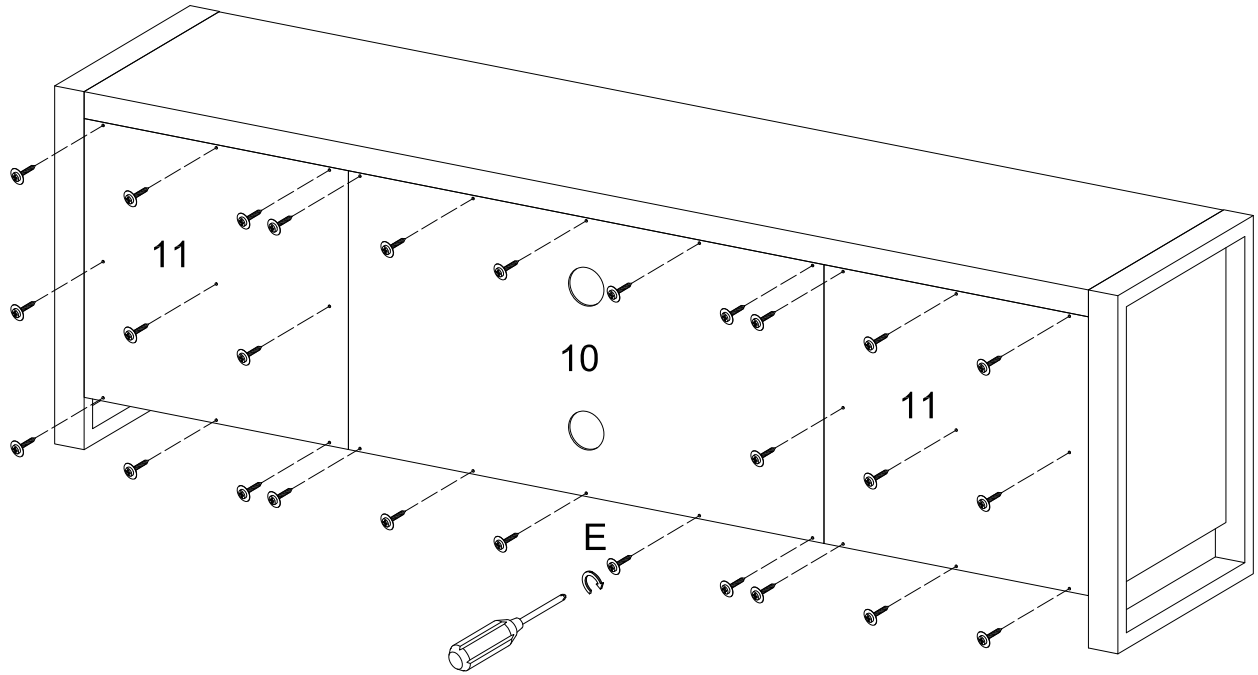
Attach support bars (6,7) to side panel (4) using cam locks (C).

Step 12



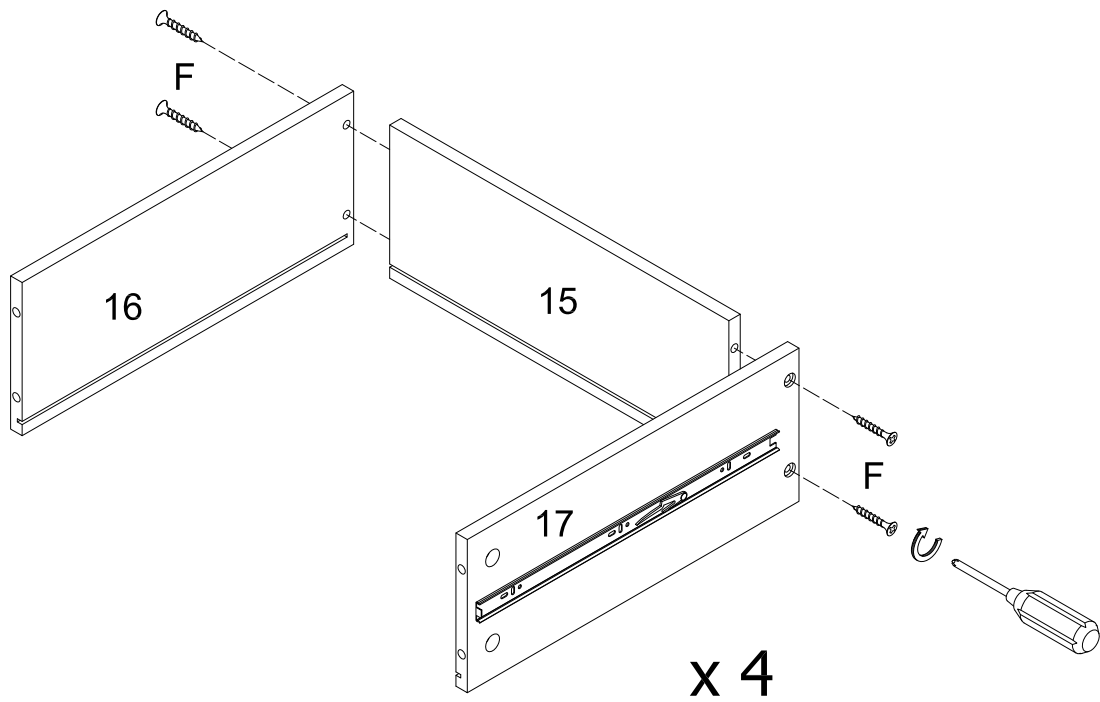
Attach side panel (2) to unit using cam locks (C).

Step 13



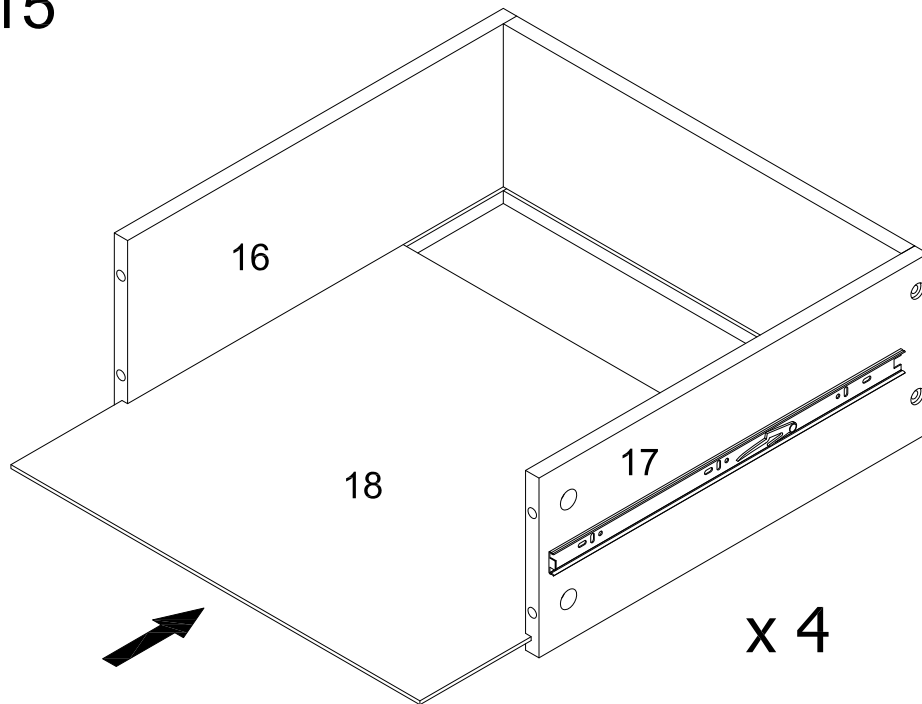
Attach back panels (10,11) to unit using screws (E).

Step 14



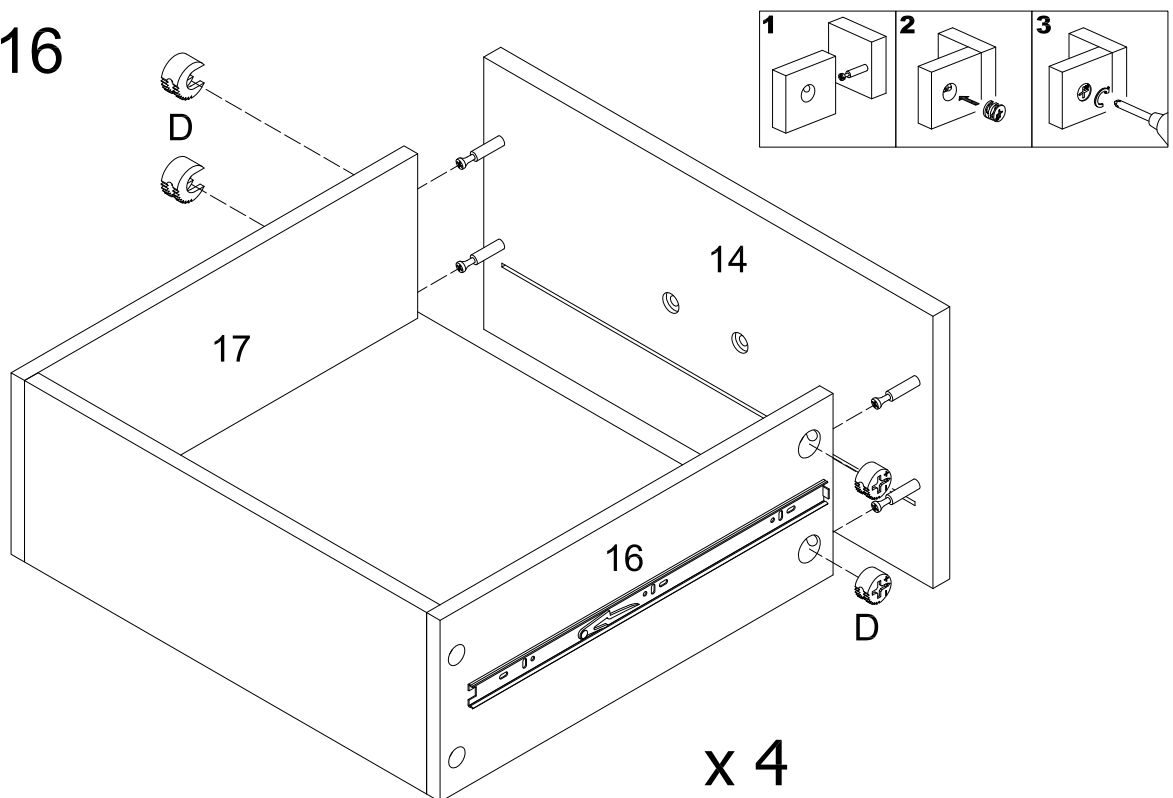
Attach drawer panels (16,17) to drawer panel (15) using screws (F).

Step 15



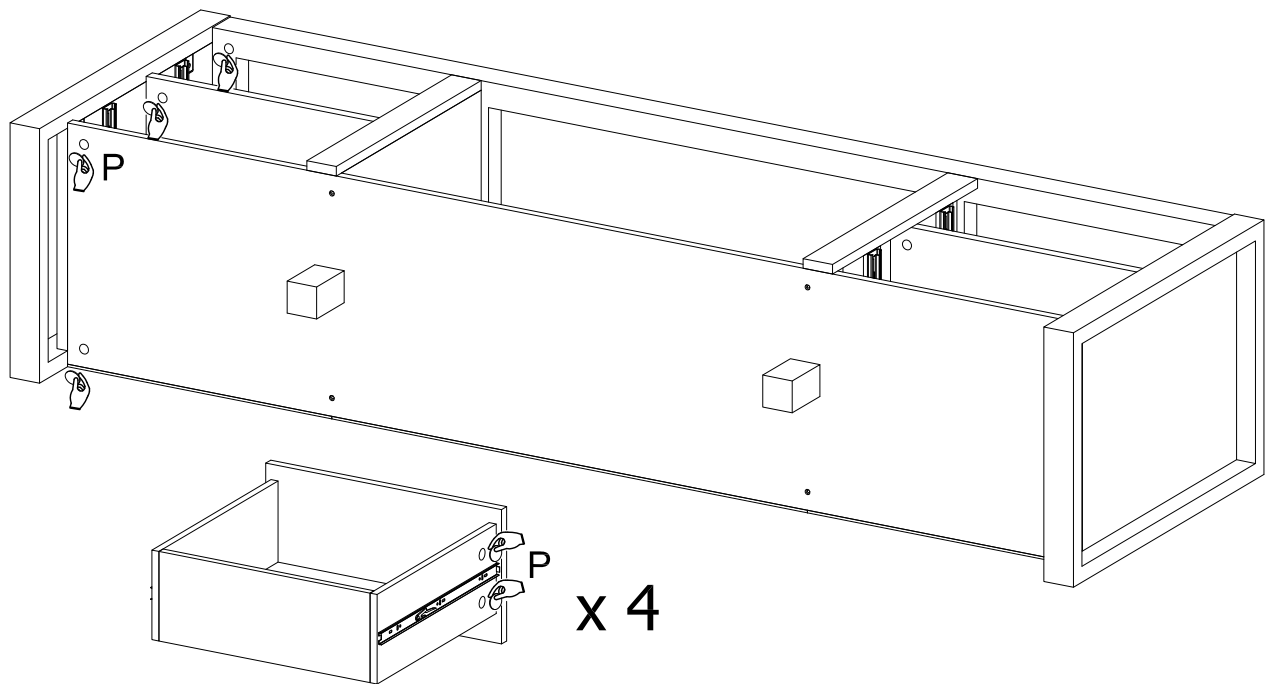
Carefully insert drawer panel (18) along the thin grooves of drawer assembly.

Step 16



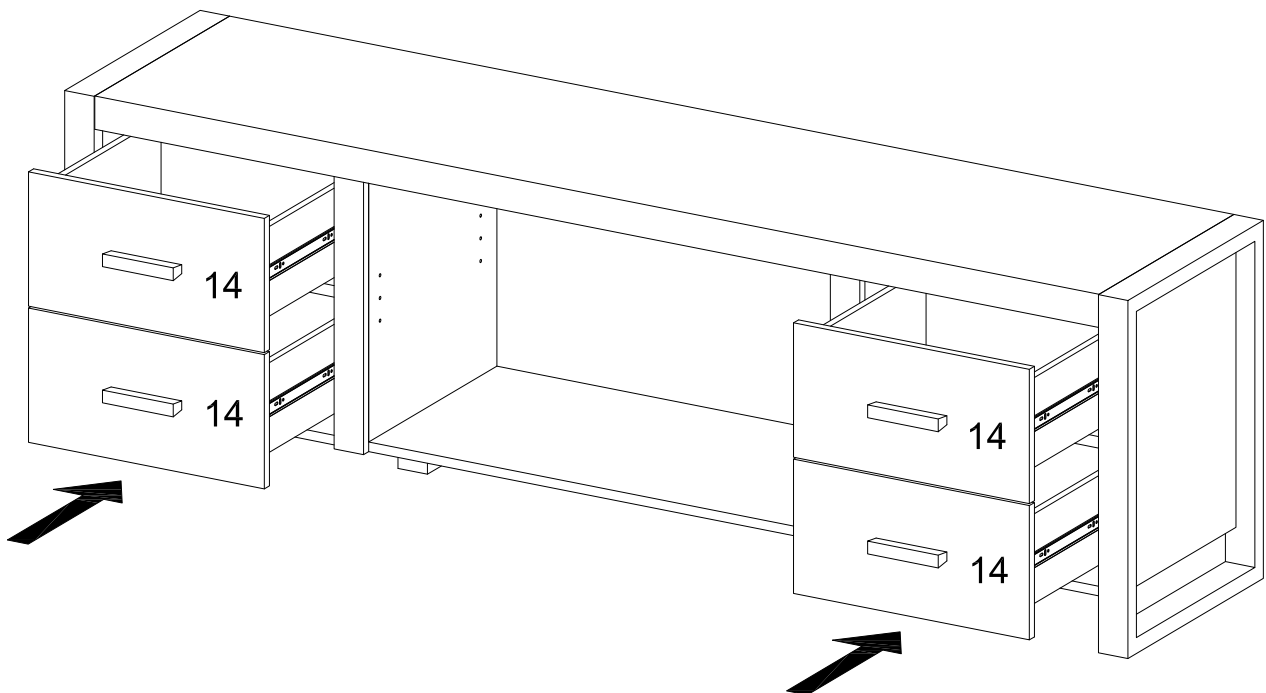
Attach door panel (14) to assembled drawer using cam locks (D).

Step 17



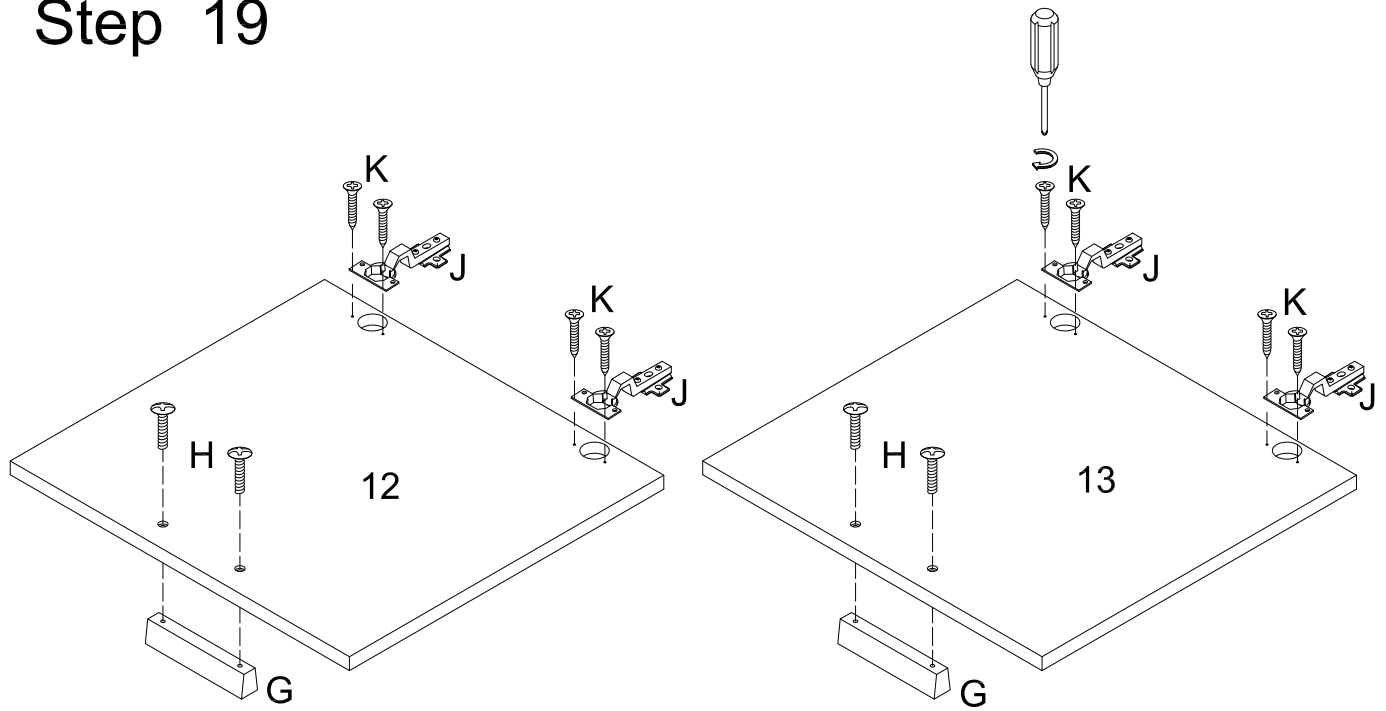
Cover all cam locks using stickers (P).

Step 18



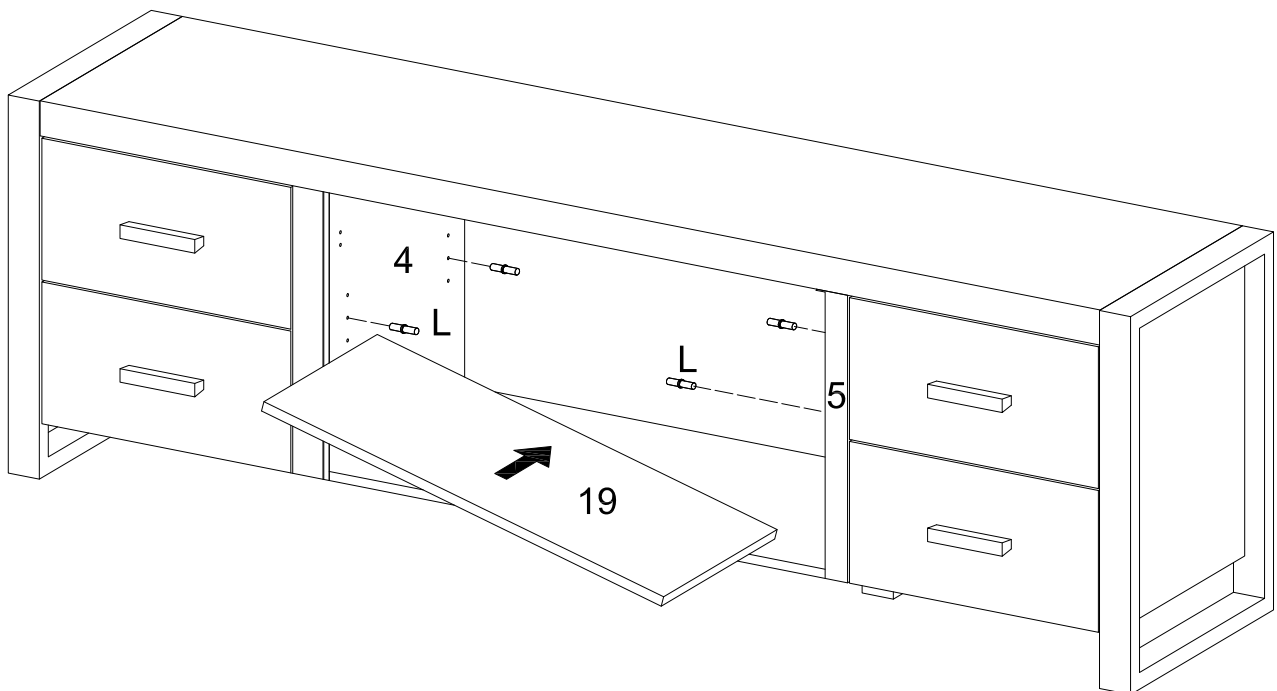
Carefully insert drawer assembly into assembled unit.

Step 19



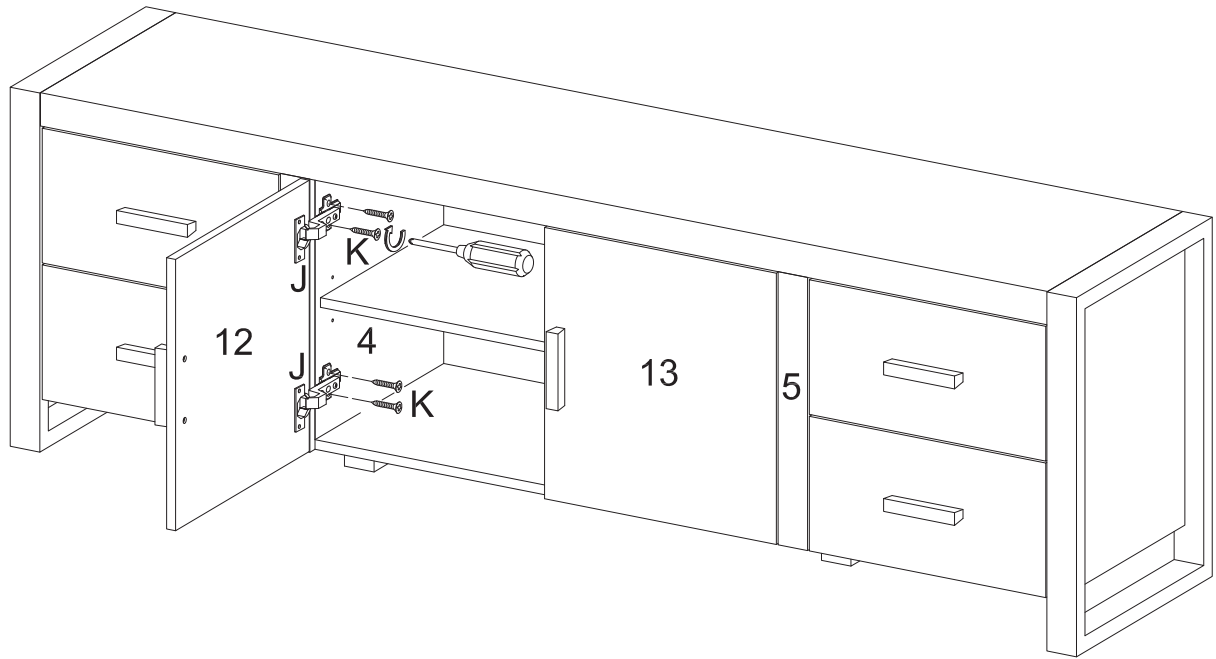
Attach hinge (J) to doors (12,13) using screws (K). Attach handles (G) using bolts (H).

Step 20



Insert shelf pins (L) and carefully insert shelf panel (19).

Step 21



Attach doors (12,13) to assembled unit using screws (K).

Step 22

