

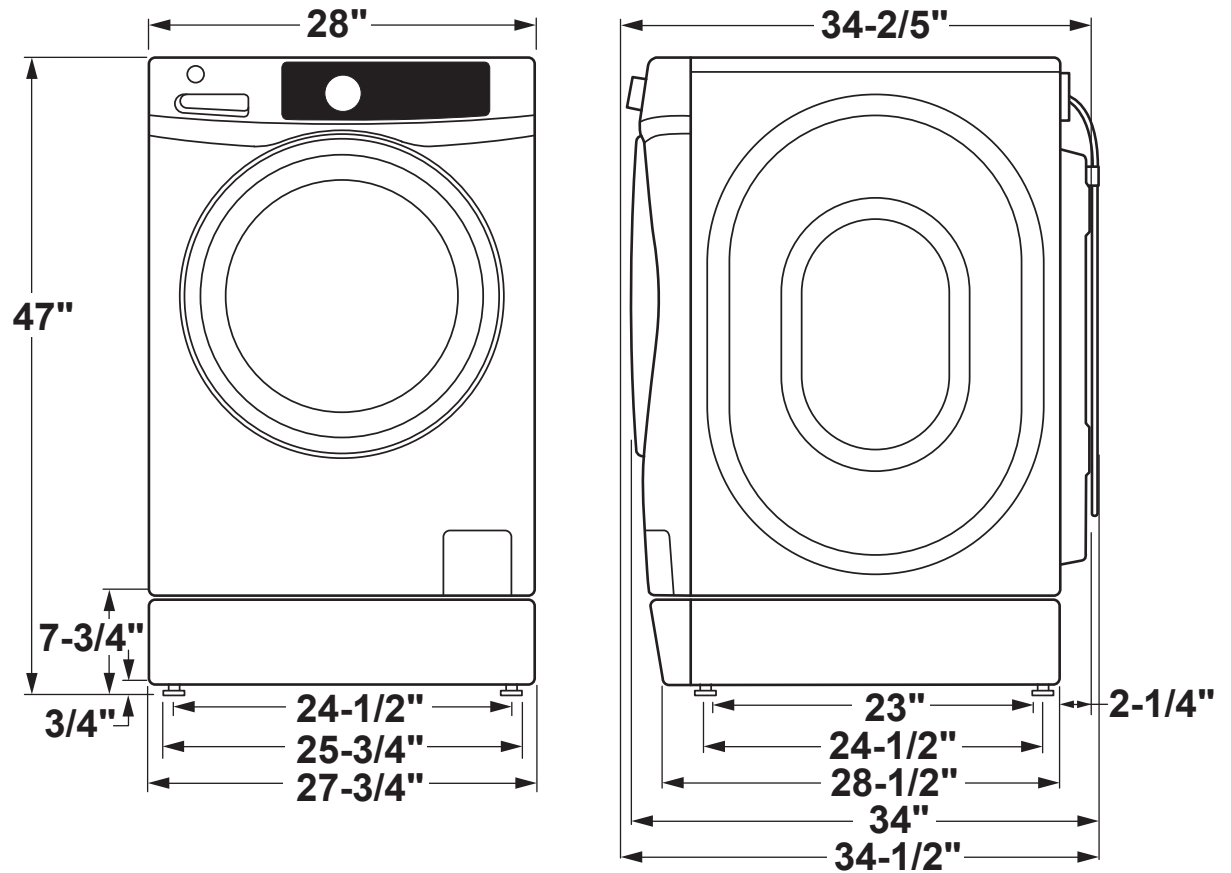
# GEFW490RPK/RSK

GE Appliances ENERGY STAR® 4.9 DOE cu. ft. capacity RightHeight™ Design  
Front Load Washer with steam

## DIMENSIONS AND INSTALLATION INFORMATION (IN INCHES)

ELECTRIC RATING	
120V	60Hz

**INSTALLATION INFORMATION:** For complete information, see installation instructions packed with your washer.



For answers to your Monogram, GE Café™ Series, GE Profile™ Series or  
GE Appliances product questions, visit our website at [geappliances.com](http://geappliances.com)  
or call GE Answer Center® Service, 800.626.2000.



Specification Created 8/16

# GEFW490RPK/RSK

*GE Appliances ENERGY STAR® 4.9 DOE cu. ft. capacity RightHeight™ Design  
Front Load Washer with steam*

## **SPECIAL INSTALLATION REQUIREMENTS:**

### **INSTALLATION:**

-7" riser is included and the laundry pair can't be stacked

### **ALCOVE OR CLOSET INSTALLATION:**

-If your dryer is approved for installation in an alcove or closet, it will be stated on a label on the dryer back.

-The dryer **MUST** be exhausted to the outside.

-Minimum clearances between dryer cabinet and adjacent walls or other surfaces are: 0" either side, 3" front and rear

-Minimum vertical space from floor to overhead cabinets, ceilings, etc. is 52".

-Closet doors must be louvered or otherwise ventilated and must contain a minimum of 60 sq. in. of open area equally distributed. If this closet contains both a washer and a dryer, doors must contain a minimum of 120 sq. in. of open area equally distributed.

-No other fuel-burning appliance shall be installed in the same closet with a gas dryer.

### **BATHROOM OR BEDROOM INSTALLATION:**

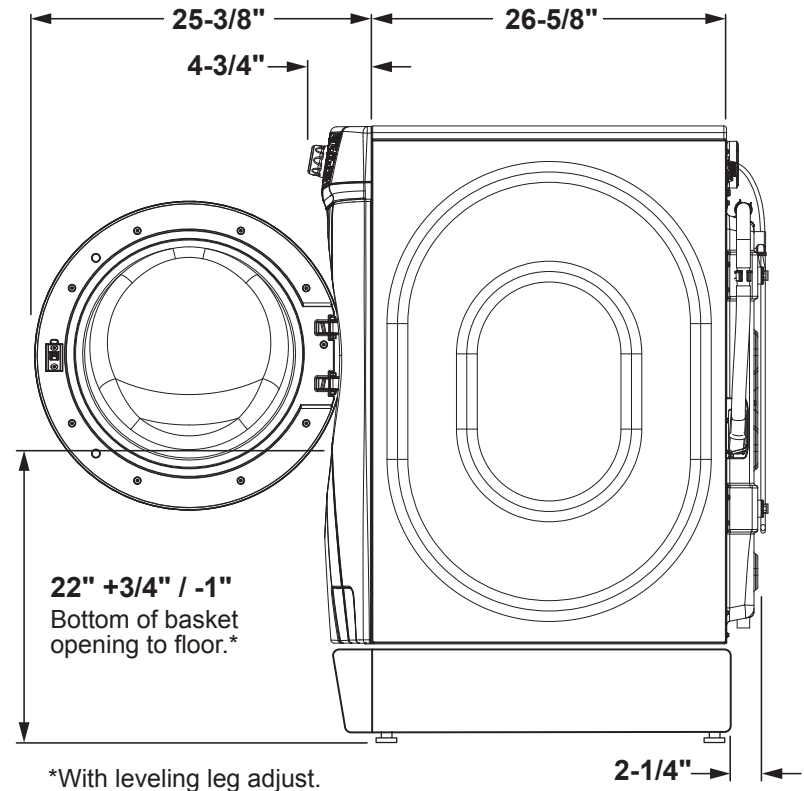
-The dryer **MUST** be exhausted to the outdoors.

-The installation must conform with the local codes, or in the absence of local codes, with the National Electric Code and National Fuel Gas Code, ANSI Z223.

### **Minimum Clearance other than Alcove or Closet Installations:**

-Minimum clearances to combustible surfaces 0" both sides, 3" rear.

For more information on venting kits and accessories, please call 1-800-GE-CARES.



For answers to your Monogram, GE Café™ Series, GE Profile™ Series or GE Appliances product questions, visit our website at [geappliances.com](http://geappliances.com) or call GE Answer Center® Service, 800.626.2000.



Specification Created 8/16

# GEFW490RPK/RSK

*GE Appliances ENERGY STAR® 4.9 DOE cu. ft. capacity RightHeight™ Design*

*Front Load Washer with steam*

## FEATURES AND BENEFITS

RightHeight™ Design built-in pedestal - Comfortably load and unload clothes, and use the top as a folding surface, with this factory-installed pedestal

Time Saver - When you need to get a full load of clothes clean in only 37 minutes

Steam Assist - Penetrates deep into fabric fibers, loosening stains like tomato and grass, yet protects your fabrics

Stain Removal Guide - Clean 5 of the most common stains with preprogrammed settings that modify any cycle to help remove blood, tomato, wine, dirt and grass

Internal water heater - Increases wash temperature to reduce bacteria and provide better cleaning for the really tough stains

Sanitize cycle - Feel comfort knowing clothes are sanitized\* and 99.9% of bacteria has been removed thanks to an internal water heater that boosts the water temperature\* Certified by NSF Protocol P172 Sanitation Performance of Residential Clothes Washers

Precision Dispense - Great cleaning performance is enhanced with a dispenser that distributes fresh detergent multiple times throughout the wash

Allergen cycle - Remove up to 99% of pet dander and dust mite allergens\* with this cleaning cycle that reaches 131°F \*Meets NSF Protocol P351

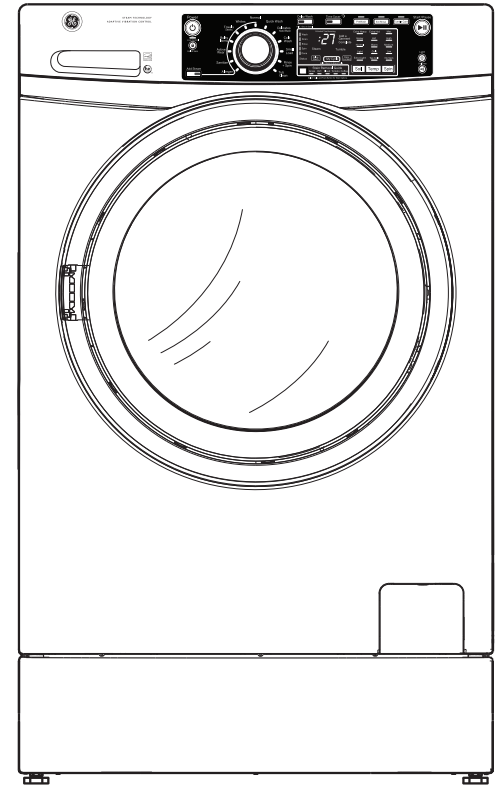
Adaptive Vibration Control - Considers floor type and location of washer in the home to adapt and optimize spin patterns, reducing vibration and sound

eWash Cold Wash Technology - Energy-saving option uses a cold water wash on select cycles without sacrificing performance

LED washer basket light - Find every last sock with a bright LED light that effectively lights the wash basket

Bulky Items - Convenient cycle for comforters and pillows

Active wear wash cycle - Finding the right setting for workout clothes is no sweat thanks to a cycle designed specifically for cleaning performance fabrics



Model GFW490RSKWW – White

Model GFW490RPKDG – Diamond Gray

Model GFW490RPKRR – Ruby Red

