

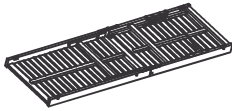
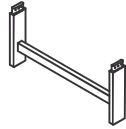




## CARE AND MAINTENANCE

Store outdoor furniture indoors or cover well when it is not in use. Dust regularly with small brush or vacuum. Spills should be taken care of immediately before they harden or stain with a slightly dampened sponge.

## NOTICE

Please make sure that you have all parts indicated before you begin assembly of this item.

### Part List and Hardware List

PIECE	DESCRIPTION	PICTURE	QUANTITY
A	Frame		1X
B	Leg		2X
C1	Allen Bolt		4X
C2	Screw		8X
C3	Allen Key		1X
C4	Wrench		1X

 **SAFAVIEH**  
OUTDOOR LIVING

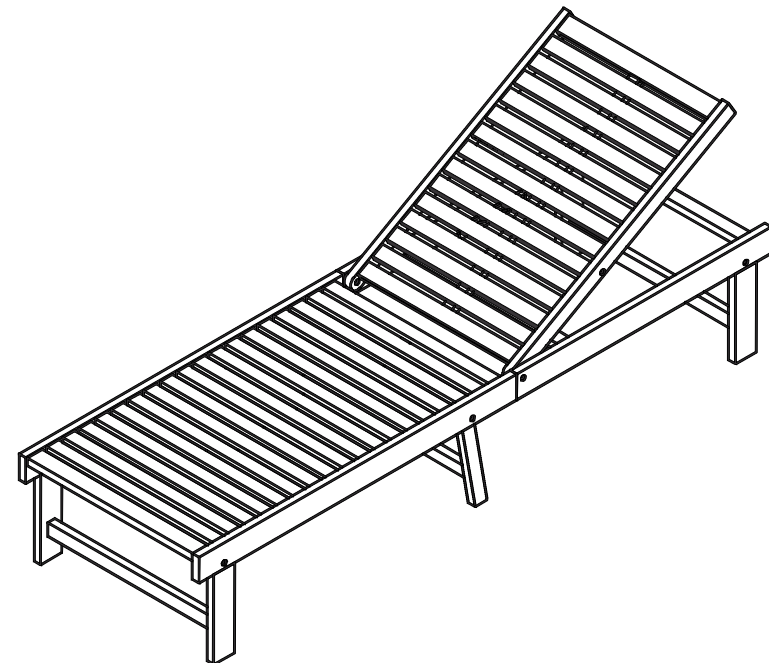
MODEL# PAT6723

Product Dimension: 75.2"W x 23.62"D x 12.99"H

Weight capacity : 600 lbs

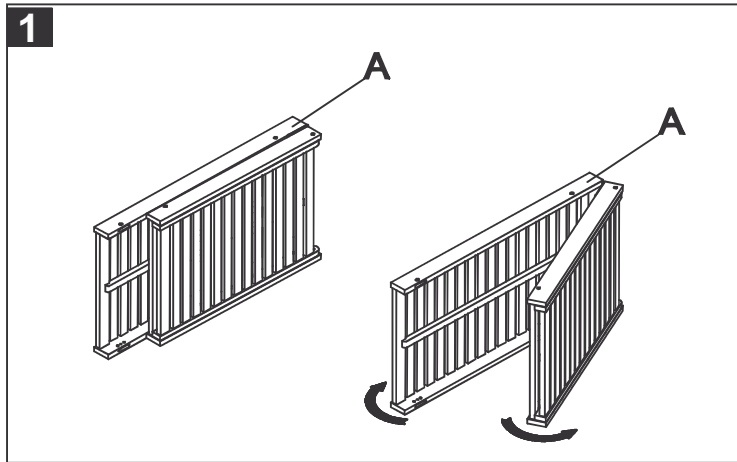
Warning : Do not stand on the lounge

Warning : Do not torque bolts / screws

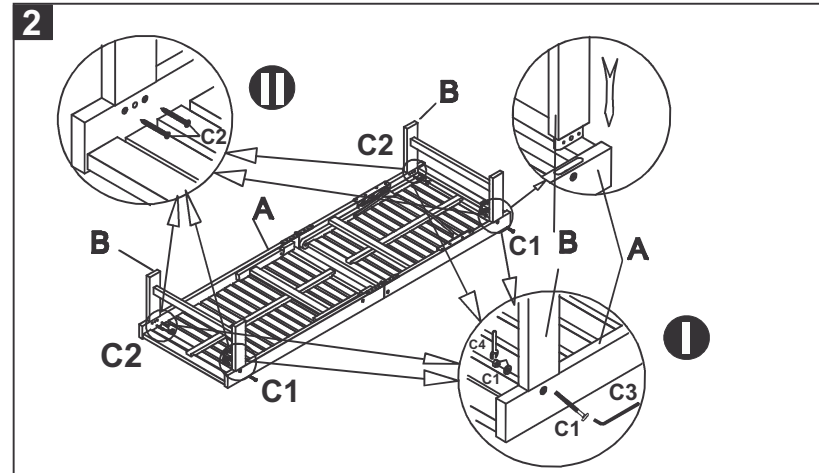


# PREPARATION

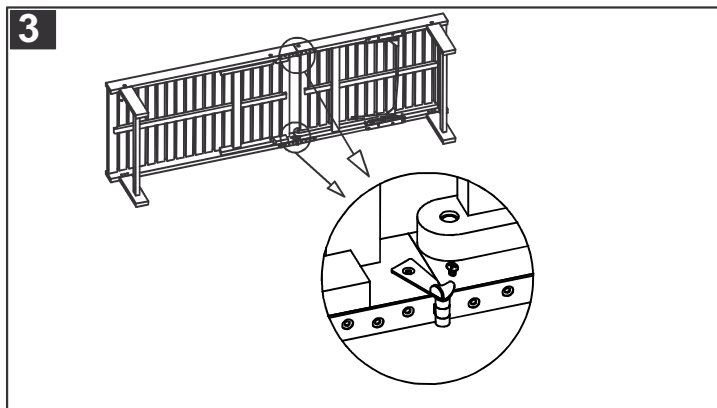
Before beginning the assembly of the product, make sure all parts are present. Compare the parts with the package contents list and hardware contents list. If any parts are missing or damaged, do not attempt to assemble the product. Tool required for assembly (included): Allen Key and Wrench.



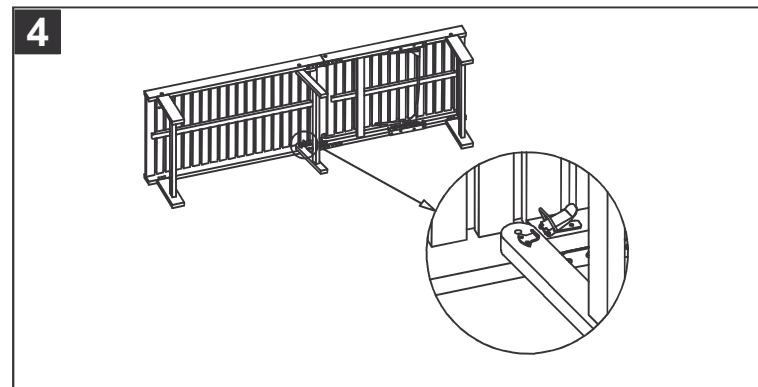
Step 1: open frame (A) as shown on the picture.



Step 2: put the leg (B) to the frame (A) as shown on the picture. Then use the Allen Bolt (C1) to tighten the leg (B) by the Allen Key (C3) and the wrench (C4). After that use the screw (C2) and tighten it from the inside by a screwdriver.



Step 3: lock the pin as shown on the picture.



Step 4: lock the leg as shown on the picture.