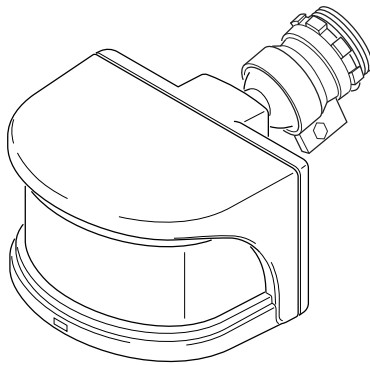


DEFIANT®

Item #101240
745407
Model #DF-5716-BK-A
DF-5716-WH-C

USE AND CARE GUIDE

REPLACEMENT MOTION SENSOR



Questions, problems, missing parts? Before returning to the store,
call Defiant Customer Service
8 a.m. - 6 p.m., EST, Monday - Friday

1-866-308-3976

HOMEDEPOT.COM

THANK YOU

We appreciate the trust and confidence you have placed in Defiant through the purchase of this motion sensor. We strive to continually create quality products designed to enhance your home. Visit us online to see our full line of products available for your home improvement needs. Thank you for choosing Defiant!

Table of Contents

| | | | |
|-----------------------------|---|-------------------------|---|
| Table of Contents | 2 | Tools Required | 3 |
| Safety Information | 2 | Hardware Included | 4 |
| Precautions | 2 | Package Contents | 4 |
| Warranty | 2 | Installation | 5 |
| 2-Year Warranty | 2 | Operation | 6 |
| Specifications | 3 | Care and Cleaning | 8 |
| Pre-Installation | 3 | Troubleshooting | 9 |
| Planning Installation | 3 | | |

Safety Information

PRECAUTIONS

Please read and understand this entire manual before attempting to assemble, install, or operate this motion sensor.

This motion sensor requires 120-volts AC.

Some codes require installation by a qualified electrician.

This motion sensor must be properly grounded.

For proper operation, this motion sensor should be:

- Installed outdoors to a wall or eaves
- Installed 8 ft. (2.4 m) above the ground (If the motion sensor is mounted higher than recommended, aiming the sensor down will reduce the coverage area.)
- Do not leave the “ON-TIME” switch in the “TEST” position. The frequent ON/OFF cycling of the light fixture will reduce the life of the bulb



WARNING: Turn the power off at the circuit breaker or fuse. Place tape over the circuit breaker switch and verify power is off at the light fixture.



CAUTION: Keep the motion sensor at least 1 in. (25 mm) away from standard PAR38 bulbs.



CAUTION: Keep the motion sensor at least 2 in. (50 mm) away from halogen bulbs.



CAUTION: To avoid water damage and the risk of electrical shock, the motion sensor controls must be facing the ground when the installation is complete.



CAUTION: Burn hazard. Allow the light fixture and the bulb to cool before touching.

NOTICE: Do not connect this motion sensor to a dimmer switch or timer.

Warranty

2-YEAR WARRANTY

Contact the Customer Service Team at 1-866-308-3976 or visit www.homedepot.com.

Specifications

| | |
|--------------------------------|---|
| Range | Up to 100 ft. (30 m) - Varies with surrounding temperature |
| Sensing angle | Up to 270° |
| Electrical load - incandescent | Up to 300 watt maximum (Up to 150 watt maximum per bulb holder) |
| Power requirements | 120 VAC, 60 Hz |
| Operating modes | Test, Auto, Manual |
| Bulb modes | Security, BulbSaver, AlertFlash |
| Time delay | 1, 5, 20 minutes |
| DualBrite timer | Off, 3 hours, 6 hours, dusk-to-dawn |

Pre-Installation

PLANNING INSTALLATION

Before installing the motion sensor, ensure that all parts are present (see *Hardware Included* on page 4). If any part is missing or damaged, do not attempt to assemble, install, or operate this motion sensor.

Estimated installation time: 30 minutes

TOOLS REQUIRED



Phillips screwdriver



Flathead screwdriver



Pliers



Wire strippers/cutters



Circuit tester



Work gloves



Electrical tape



Silicone sealant



Ladder



Safety goggles

Pre-Installation (continued)

HARDWARE INCLUDED



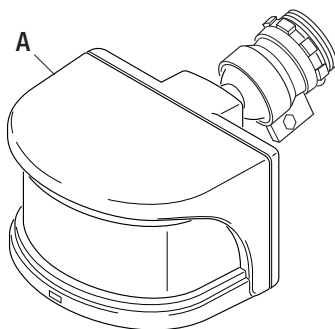
NOTE: Hardware shown to actual size.



AA

| Part | Description | Quantity |
|------|----------------|----------|
| AA | Wire connector | 4 |

PACKAGE CONTENTS



| Part | Description | Quantity |
|------|---------------|----------|
| A | Motion sensor | 1 |



NOTE: If the motion sensor (A) pops out of the ball joint, loosen the clamp screw, push the motion sensor (A) back into the ball joint, and tighten the clamp screw. Do not overtighten.

Installation

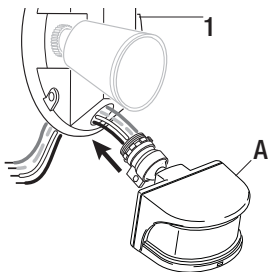
1 Installing the Motion Sensor



WARNING: Turn the power off at the circuit breaker or fuse. Place tape over the circuit breaker switch and verify power is off at the light fixture.

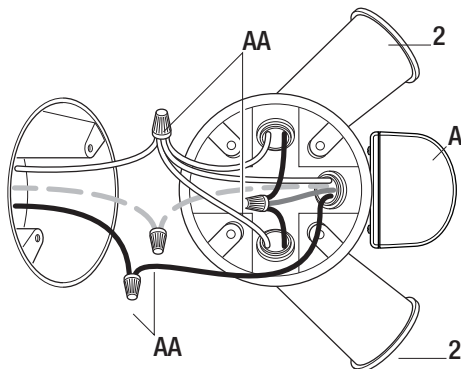
The WHITE motion sensor wire is neutral. The BLACK motion sensor wire is hot. The RED motion sensor wire is switched "hot".

- Remove the existing light fixture.
- Route the motion sensor wires through the canopy (1) of the existing light fixture.
- Screw the motion sensor (A) into the canopy (1) of the existing light fixture.

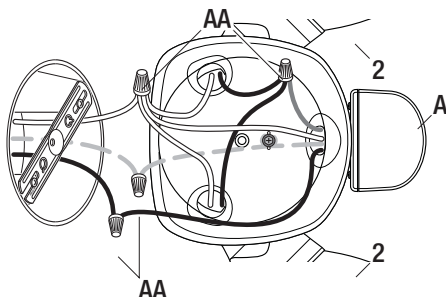


2 Wiring the Motion Sensor

- Connect the motion sensor wires to the light fixture wires and the junction box wires with wire connectors (AA):
 - White to white
 - Black motion sensor wire to black junction box wire
 - Red motion sensor wire to black bulb holder (2) wires
 - Bare or green ground wire to house ground and any light fixture ground wire or ground screw, if present
- Follow the instructions that came with the existing light fixture to mount and adjust the light fixture.



OR



Operation

1 Adjusting the Motion Sensor



CAUTION: Keep the motion sensor at least 1 in. (25 mm) away from standard PAR38 bulbs.



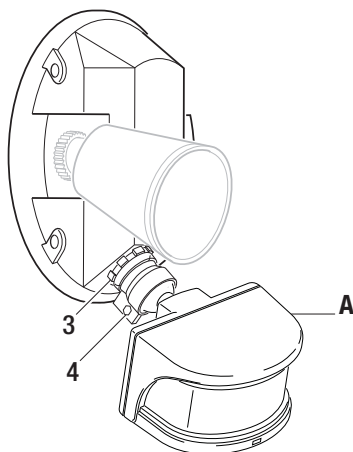
CAUTION: Keep the motion sensor at least 2 in. (50 mm) away from halogen bulbs.



CAUTION: To avoid water damage and risk of electrical shock, the motion sensor controls must be facing the ground when installation is complete.

- Turn the power on at the circuit breaker or fuse and turn on the wall switch.
- Loosen the lock nut (3) and screw (4) to adjust the motion sensor (A) for the desired coverage.
- Rotate the motion sensor (A) so the controls face toward the ground.
- Tighten the lock nut (3) and screw (4).

NOTICE: All clearances must be maintained. See *Safety Information* on page 2.



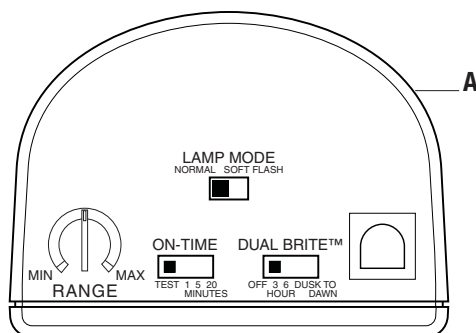
2 Setting the Sensor for Testing

When the “ON-TIME” switch is set to the “TEST” position, the light fixture will operate during the day or night. The light will stay on for 5 seconds after all motion is stopped.

- Set the “ON-TIME” switch to the “TEST” position.
- Set the “DUALBRITE” switch to the “OFF” position.
- Turn the “RANGE” dial to the “MIN” position.
- Aim the motion sensor (A) in the general direction of the area to be covered.

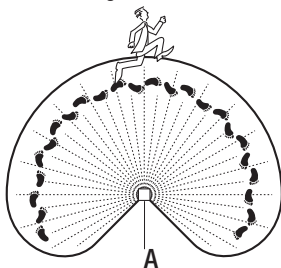


NOTE: The motion sensor will need to completely warm up (90 seconds) before beginning the setup process.



3 Adjusting the Motion Sensor Detection Zone

- Turn on the circuit breaker or fuse and the light switch.
- Perform a "walk test". Walk in an arc across the front of the motion sensor (A).
- Watch the light. The light will come on and the red LED will flash indicating motion has been detected.
- Stop, wait for the light to turn off, and then begin walking again.
- Continue this process until the detection zone has been established.
- Adjust the sensor up, down, or side to side to change the motion sensor (A) detection zone.



4 Adjusting the RANGE Dial

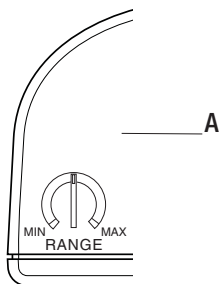
- To increase the detection zone, turn the "RANGE" dial toward the "MAX" position.
- To decrease the detection zone, turn the "RANGE" dial toward the "MIN" position.



NOTE: The motion sensor (A) is more sensitive to motion moving across the front of the sensor. The motion sensor (A) is less sensitive to motion moving directly toward the front of the sensor.



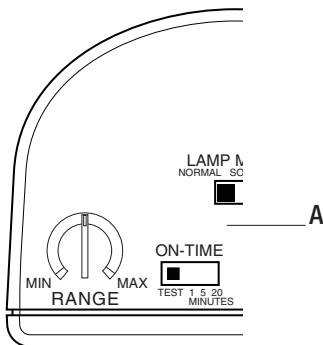
NOTE: The higher the "RANGE" setting (sensitivity), the greater the possibility of false triggering. To reduce false triggering, rotate the "RANGE" control toward the "MIN" setting.



5 Adjusting the ON-TIME Switch

The "ON-TIME" switch determines the amount of time the light will stay on full bright after all motion has stopped.

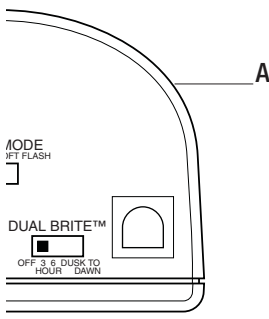
- Set the "ON-TIME" switch to the 1, 5, or 20 minute position.



6 Adjusting the DUALBRITE Switch

The "DUALBRITE" switch determines the amount of time the lights stay on at a reduced light level after sundown. Switching this setting to "OFF" will not effect the "ON-TIME" setting.

- Set the "DUALBRITE" switch to OFF, 3 hours, 6 hours, or dusk-to-dawn (sunset to sunrise).

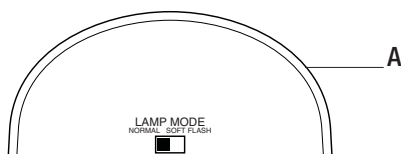


Operation (continued)

7 Adjusting the LAMP MODE Switch

The “LAMP MODE” switch determines the way the lights will turn on when motion is detected.

- Security (“NORMAL”) - Light comes on instantly.
- BulbSaver (“SOFT”) - Light comes on dim and gradually increases to full brightness. When the light turns off it will gradually dim to half-bright, pause, and then will continue dimming until the light turns off.
- AlertFlash (“FLASH”) - Light flashes on then off twice before turning on full brightness.
- Set the “LAMP MODE” to “NORMAL”, “SOFT”, or “FLASH” position.



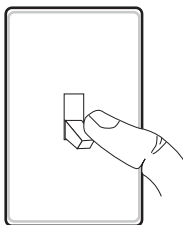
8 Using Manual Mode

Manual mode overrides the motion sensor (A) and “ON-TIME” control so the light will operate full bright. This feature only works at night and only for one night at a time. The motion sensor (A) will reset to motion sensing mode at sunrise. Manual mode can be toggled on and off using a wall switch.

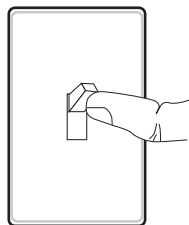
- To turn manual mode on, switch the light off at the wall switch for 3 to 4 seconds and then back on.
- To turn manual mode off, switch the light off at the wall switch for 3 to 4 seconds and then back on.



NOTE: If the power to the light fixture is off for more than 5 seconds, allow the motion sensor to warm up prior to switching to manual mode.



Turn the switch
OFF for 3 to 4
seconds



Turn the
switch
back ON

Care and Cleaning

- To prolong the original appearance, clean with clear water and a soft, damp cloth only.
- Do not use paints, solvents, or other chemicals on this motion sensor. They could cause a premature deterioration of the finish. This is not a defect in the finish and will not be covered by the warranty.
- Do not spray with a hose or power washer.

Troubleshooting

| Problem | Possible Cause | Solution |
|---|--|---|
| The light will not come on. | <ul style="list-style-type: none"> <input type="checkbox"/> The light switch is turned off. <input type="checkbox"/> The bulb is loose or burned out. <input type="checkbox"/> The fuse is blown or the circuit breaker is turned off. <input type="checkbox"/> Daylight turn-off (photocell) is in effect. <input type="checkbox"/> The circuit wiring is incorrect, if this is a new installation. <input type="checkbox"/> The motion sensor is aimed in the wrong direction. <input type="checkbox"/> The outside air temperature is close to the same as a person's body heat. | <ul style="list-style-type: none"> <input type="checkbox"/> Turn the light switch on. <input type="checkbox"/> Check the bulb and replace if burned out. <input type="checkbox"/> Replace the fuse or turn the circuit breaker on. <input type="checkbox"/> Recheck after dark. <input type="checkbox"/> Verify the wiring is correct. <input type="checkbox"/> Re-aim the motion sensor to cover the desired area. <input type="checkbox"/> Increase the "RANGE" setting. |
| The light comes on during the day. | <ul style="list-style-type: none"> <input type="checkbox"/> The motion sensor may be installed in a relatively dark location. <input type="checkbox"/> The "ON-TIME" switch is in the "TEST" position. | <ul style="list-style-type: none"> <input type="checkbox"/> The motion sensor is operating normally under these circumstances. <input type="checkbox"/> Set the "ON-TIME" switch to the 1, 5, or 20 minute setting. |
| The light comes on for no apparent reason. | <ul style="list-style-type: none"> <input type="checkbox"/> The motion sensor may be sensing small animals or automobile traffic. <input type="checkbox"/> The "RANGE" dial is set too high. <input type="checkbox"/> The "DUALBRITE" switch is in the 3 hour, 6 hour, or dusk-to-dawn setting. <input type="checkbox"/> The outside temperature is much warmer or cooler than a person's body heat (summer or winter). <input type="checkbox"/> The motion sensor is wired through a dimmer or timer. | <ul style="list-style-type: none"> <input type="checkbox"/> Re-aim the motion sensor. <input type="checkbox"/> Decrease the "RANGE" setting. <input type="checkbox"/> The motion sensor is operating normally under these circumstances. <input type="checkbox"/> Decrease the "RANGE" setting. <input type="checkbox"/> Do not use a dimmer or timer to control the motion sensor. Replace the dimmer or timer with a standard on/off wall switch. |
| The lights turn off too late in Dusk-to-Dawn setting. | The motion sensor may be installed in a relatively dark location. | Relocate the motion sensor or use the 3 hour or 6 hour setting. |

Troubleshooting (continued)

| Problem | Possible Cause | Solution |
|---|---|---|
| The lights stay on continuously. | <ul style="list-style-type: none"> <input type="checkbox"/> A bulb is positioned too close to the motion sensor or pointed at nearby objects that cause heat to trigger the motion sensor. <input type="checkbox"/> The motion sensor may be picking up a heat source like an air vent, dryer vent, or brightly painted, heat-reflective surface. <input type="checkbox"/> The motion sensor is in manual mode. <input type="checkbox"/> The motion sensor is wired through a dimmer or timer. <input type="checkbox"/> The motion sensor is on the same circuit as a motor, transformer, or fluorescent bulb. | <ul style="list-style-type: none"> <input type="checkbox"/> Reposition the bulb away from the motion sensor or nearby objects. <input type="checkbox"/> Decrease the “RANGE” setting or reposition the motion sensor. <input type="checkbox"/> Switch the motion sensor to auto. See <i>Using Manual Mode</i> on page 8. <input type="checkbox"/> Do not use a dimmer or timer to control the motion sensor. Replace the dimmer or timer with a standard on/off wall switch. <input type="checkbox"/> Install the motion sensor on a circuit without motors, transformers, or fluorescent bulbs. |
| The lights flash on and off. | <ul style="list-style-type: none"> <input type="checkbox"/> Heat or light from the bulbs may be turning the motion sensor on and off. <input type="checkbox"/> Heat is being reflected from other objects and may be turning the motion sensor on and off. <input type="checkbox"/> The motion sensor is in “TEST” mode and warming up. <input type="checkbox"/> Light may be leaking through the bulb reflectors. <input type="checkbox"/> The motion sensor is in AlertFlash (“FLASH”) mode. | <ul style="list-style-type: none"> <input type="checkbox"/> Reposition the bulbs away from the motion sensor. <input type="checkbox"/> Reposition the motion sensor. <input type="checkbox"/> Flashing is normal under these conditions. <input type="checkbox"/> Replace the bulbs with new high quality PAR 38 bulbs. <input type="checkbox"/> Flashing is normal in this mode. Select Security (“NORMAL”) or BulbSaver (“SOFT”) mode to turn flashing off. |
| The lights flash once then stay off in manual mode. | The motion sensor is detecting light from the bulbs. | Reposition the bulbs to keep the area below the motion sensor relatively dark. |

DEFIANT®

Questions, problems, missing parts? Before returning to the store,
call Defiant Customer Service
8 a.m.-6 p.m., EST, Monday-Friday

1-866-308-3976

HOMEDEPOT.COM

Retain this manual for future use.

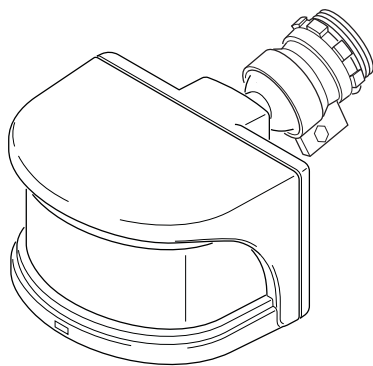
DEFIANT®

Artículo #101240
745407

Modelo #DF-5716-BK-A
DF-5716-WH-C

GUÍA PARA EL USO Y CUIDADO

SENSOR DE MOVIMIENTO DE REPUESTO



¿Tiene preguntas, problemas o piezas perdidas? Antes de la devolución al
almacén llame a Servicio al Cliente de Defiant
8 a.m. - 6 p.m., Hora del Este, de lunes a viernes

1-866-308-3976

HOMEDEPOT.COM

GRACIAS

Agradecemos la fe y la confianza que usted ha depositado en Defiant al comprar este detector de movimiento. Procuramos crear continuamente productos de calidad diseñados para mejorar su hogar. Visítenos en internet para ver nuestra línea completa de productos disponibles que necesita para el mejoramiento de su hogar. ¡Gracias por escoger Defiant!

Contenido

| | | | |
|---------------------------------------|----|-------------------------------|----|
| Contenido | 14 | Herramientas Requeridas | 15 |
| Información de seguridad | 14 | Ferretería Incluida..... | 16 |
| Precauciones | 14 | Contenido del Paquete..... | 16 |
| Garantía..... | 14 | Instalación | 17 |
| 2 Años de Garantía..... | 14 | Operación..... | 18 |
| Especificaciones..... | 15 | Cuidado y limpieza | 20 |
| Antes de la instalación..... | 15 | Análisis de averías | 21 |
| Planificación de la Instalación | 15 | | |

Información de seguridad

PRECAUCIONES

Por favor lea y entienda todo este manual antes de tratar de ensamblar, instalar u operar este detector de movimiento.

Este detector de movimiento requiere 120 voltios CA.

Algunos códigos exigen que la instalación la realice un electricista calificado.

Este detector de movimiento debe conectarse correctamente a tierra.

Para que opere correctamente, este detector de movimiento debería:

- Instalado en el exterior en una pared o en aleros.
- Instalarse a 8 pies (2,4m) por encima del suelo (si el detector de movimiento es montado más arriba de lo recomendado, enfoque el detector hacia abajo para reducir el área de cobertura).
- No deje el interruptor de “DURACIÓN” (“ON-TIME”) en la posición “PRUEBA” (“TEST”). La alternancia frecuente entre ENCENDIDO/APAGADO (ON/OFF) reducirá la vida de la bombilla.



ADVERTENCIA: Desconecte la energía eléctrica en el disyuntor o en el fusible. Coloque cinta aislante sobre el interruptor disyuntor y compruebe que no haya energía eléctrica en el aparato de luz.



PRECAUCIÓN: Mantenga el detector de movimiento alejado al menos a 1 pulgada (2,5 cm) de las bombillas PAR38 estándar.



PRECAUCIÓN: Mantenga el detector de movimiento alejado al menos a 2 pulgadas (5,0 cm) de las bombillas halógenas.



PRECAUCIÓN: Para evitar daños por el agua y el riesgo de una descarga eléctrica, los controles del detector de movimiento deben estar de cara al suelo cuando la instalación esté terminada.



PRECAUCIÓN: Peligro de quemaduras. Deje que el aparato de luz y la bombilla se enfrien antes de tocarlos.

AVISO: No conecte este detector de movimiento a un interruptor reductor de luz o a un temporizador.

Garantía

2 AÑOS DE GARANTÍA

Póngase en contacto con el personal de servicio al cliente al 1-866-308-3976 o visite el sitio www.homedepot.com.

Especificaciones

| | |
|------------------------------------|--|
| Alcance | Hasta 100 pies (30 m) – Varía con la temperatura circundante |
| Ángulo de detección | Hasta 270° |
| Carga eléctrica-Incandescente | Hasta 300 vatios máximo (Hasta 150 vatios máximo por cada porta-bombillas) |
| Requisitos de la energía eléctrica | 120 VCA, 60 Hz |
| Fases de operación | Prueba, automática, manual |
| Fases de la bombilla | Seguridad, ahorrador de bombilla, destello de alerta |
| Retardo de tiempo | 1, 5, 20 minutos |
| Temporizador DualBrite | Apagado, 3 horas, 6 horas, del crepúsculo al amanecer |

Antes de la instalación

PLANIFICACIÓN DE LA INSTALACIÓN

Antes de instalar el detector de movimiento, asegúrese de que tiene todas las piezas (vea *Ferretería incluida* en la página 16). Si cualquier pieza falta o está dañada, no intente ensamblar, instalar ni operar el detector de movimiento.

Tiempo estimado para la instalación: 30 minutos

HERRAMIENTAS REQUERIDAS



Destornillador phillips



Destornillador plano



Alicates



Peladores/cortadores de cables



Probador de circuitos



Guantes de trabajo



Cinta aislante



Sellador de silicona



Escalera



Gafas de seguridad

Antes de la instalación (continuación)

FERRETERÍA INCLUIDA



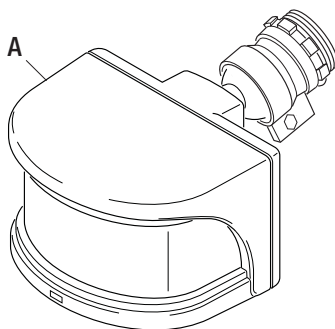
NOTA: La ferretería se muestra en su tamaño real



AA

| Pieza | Descripción | Cantidad |
|-------|---------------------|----------|
| AA | Capuchón para cable | 4 |

CONTENIDO DEL PAQUETE



| Pieza | Descripción | Cantidad |
|-------|------------------------|----------|
| A | Detector de movimiento | 1 |



NOTA: Si el detector de movimiento (A) se sale de la unión esférica, afloje el tornillo sujetador, empuje de nuevo el detector de movimiento (A) hacia la unión esférica y apriete el tornillo sujetador. No apriete en exceso.

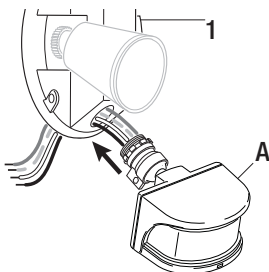
1 Instalación del detector de movimiento



ADVERTENCIA: Desconecte la energía eléctrica en el disyuntor o en el fusible. Coloque cinta aislante sobre el interruptor disyuntor y compruebe que no haya energía eléctrica en el aparato de luz.

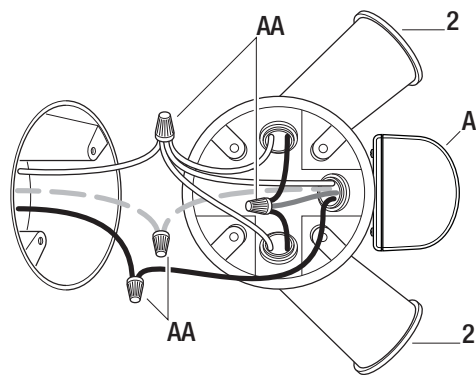
El conductor BLANCO del detector de movimiento es el neutro. El conductor NEGRO del detector de movimiento es la fase, El conductor ROJO del detector de movimiento es la "fase" a través del interruptor.

- Retire el aparato de luz existente.
- Guíe los conductores del detector de movimiento a través del escudete (1) del aparato de luz existente.
- Atornille el detector de movimiento (A) en el escudete (1) del aparato de luz existente.

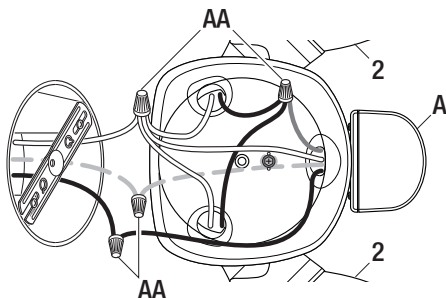


2 Cableado del detector de movimiento

- Conecte los conductores del detector de movimiento a los conductores del aparato de luz y a los conductores de la caja de conexiones mediante los conectores de cable (AA):
 - Blanco con blanco
 - El conductor negro del detector de movimiento al conductor negro de la caja de conexiones
 - El conductor rojo del detector de movimiento a los conductores negros del porta bombillas (2)
 - El conductor desnudo o verde de conexión tierra a la conexión tierra de la casa y a cualquier conductor o tornillo de conexión a tierra del aparato de luz si existe
- Siga las instrucciones que vienen con el aparato de luz existente para montar y ajustar este aparato de luz.



0



1 Ajuste del detector de movimiento



PRECAUCIÓN: Mantenga el detector de movimiento alejado al menos a 1 pulgada (2,5 cm) de las bombillas PAR38 estándar.



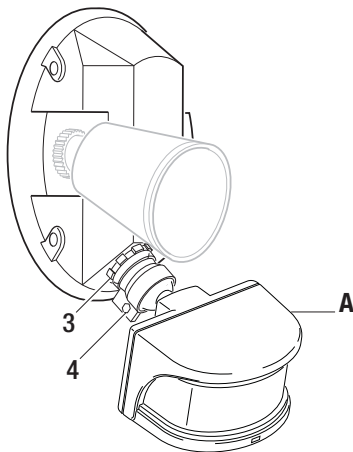
PRECAUCIÓN: Mantenga el detector de movimiento alejado al menos a 2 pulgadas (5,0 cm) de bombillas halógenas.



PRECAUCIÓN: Para evitar daños por el agua y el riesgo de una descarga eléctrica, los controles del detector de movimiento deben estar de cara al suelo cuando la instalación esté terminada.

- Conecte la energía eléctrica en el disyuntor o en el fusible y encienda el interruptor de la pared.
- Afloje la contratuerca (3) y el tornillo (4) para regular el detector de movimiento (A) para la cobertura deseada.
- Gire el detector de movimiento (A) de modo que los controles estén orientados hacia el suelo.
- Apriete la contratuerca (3) y el tornillo (4).

AVISO: Todos los espacios libres deben ser mantenidos. Vea *Información sobre seguridad* en la página 14.



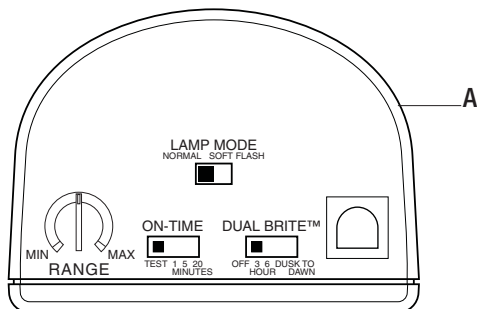
2 Calibración del detector para prueba

Cuando el interruptor de “DURACIÓN” (“ON-TIME”) se fija en la posición “PRUEBA” (“TEST”) el aparato de luz operará durante el día o la noche. La luz permanecerá encendida 5 segundos después que todo movimiento se ha detenido.

- Fije el interruptor de “DURACIÓN” en la posición “PRUEBA” (“TEST”).
- Fije el interruptor “DUALBRITE” en la posición “APAGADO” (“OFF”).
- Gire el cuadrante “ALCANCE” a la posición “MIN”.
- Enfoque el detector de movimiento (A) en la dirección general del área a ser cubierta.

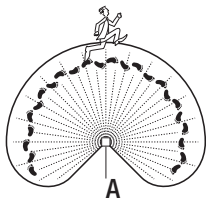


NOTA: El detector de movimiento necesitará calentarse completamente (90 segundos) antes de empezar el proceso de puesta a punto.



3 Regulación de la zona de detección del detector de movimiento

- Conecte el disyuntor o el fusible y el interruptor de la lámpara.
- Haga una "prueba caminando". Camine transversalmente a la parte frontal del detector de movimiento (A) siguiendo la trayectoria de un arco.
- Observe la luz. La luz se encenderá y el LED rojo destellará indicando que se ha detectado movimiento.
- Deténgase, espere que la luz se apague, y luego empiece a caminar de nuevo.
- Continúe este proceso hasta que la zona de detección haya sido establecida.
- Ajuste el detector hacia arriba, abajo, o a los lados para cambiar la zona de detección del detector de movimiento (A).



4 Regulación del cuadrante ALCANCE

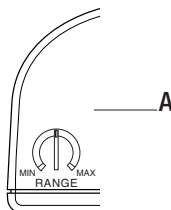
- Para aumentar la zona de detección, gire el cuadrante "ALCANCE" hacia la posición "MÁX".
- Para disminuir la zona de detección, gire el cuadrante "ALCANCE" hacia la posición "MÍN".



NOTA: El detector de movimiento (A) es más sensible al movimiento transversal a la parte frontal del detector. El detector de movimiento (A) es menos sensible al movimiento que se dirige directamente hacia la parte frontal del detector.



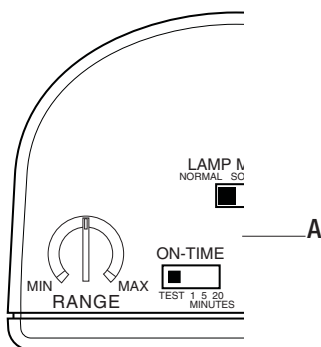
NOTA: Mientras mayor sea la calibración del "ALCANCE" (sensibilidad), mayor será la posibilidad de falsas alarmas. Para reducir las falsas alarmas, gire el control del "ALCANCE" hacia la calibración "MÍN".



5 Regulación del interruptor de DURACIÓN

El interruptor de DURACIÓN determina el lapso de tiempo que la luz permanece encendida con todo su brillo luego que ha cesado el movimiento.

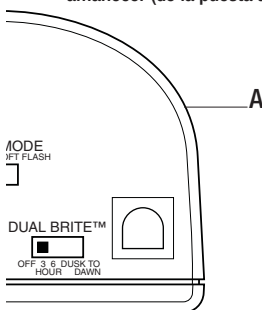
- Coloque el interruptor de DURACIÓN en la posición 1, 5 o 20 minutos.



6 Regulación del interruptor DUALBRITE

El interruptor DUALBRITE determina el lapso de tiempo que la luz permanece encendida con un nivel de luz reducido luego de la puesta del sol. Cambiando esta calibración a "OFF" ("DESCONECTADO") no quedará afectada la calibración de la DURACIÓN.

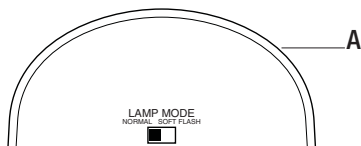
- Coloque el interruptor "DUALBRITE" en APAGADO (OFF), 3 horas, 6 horas o del crepúsculo al amanecer (de la puesta a la salida del sol).



7 Regulación del interruptor FASE LÁMPARA

El interruptor FASE LÁMPARA determina la manera en que las luces se encenderán cuando se detecta movimiento.

- Seguridad ("NORMAL")- La luz se enciende instantáneamente.
- Ahorrador de bombilla (BulbSaver) ("SOFT") La luz se enciende tenue y aumenta gradualmente hasta su brillo total. Cuando la luz se apaga su brillo primero bajará gradualmente a la mitad, luego pausará y luego continuará bajando hasta que se apaga.
- Destello de alerta (AlertFlash) ("FLASH") – La luz destella y luego se apaga, esto dos veces antes de encenderse con todo su brillo.
- Coloque la FASE LÁMPARA en las posiciones "NORMAL", "SOFT" o "FLASH"



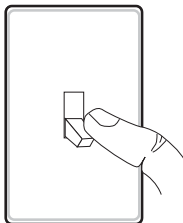
8 Uso de la fase manual

La fase manual anula el detector de movimiento (A) y el control de duración ("ON-TIME"), de esta forma la lámpara operará con todo su brillo. Esta característica funciona solamente en la noche y solamente una noche a la vez. El detector de movimiento (A) vuelve a ponerse en la fase detección del movimiento al salir el sol. La fase manual puede también alternar entre encendido y apagado mediante el interruptor de pared.

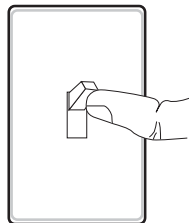
- Para encender la fase manual, apague la luz con el interruptor de pared entre 3 a 4 segundos y luego vuelva a encenderla.
- Para apagar la fase manual, apague la luz con el interruptor de pared entre 3 a 4 segundos y luego vuelva a encenderla.



NOTA: Si la energía eléctrica al aparato de luz es apagada por más de 5 segundos, deje que el detector de movimiento se caliente antes del cambio a la fase manual.



Apague el interruptor entre 3 a 4 segundos



Vuelva a encender el interruptor

Cuidado y limpieza

- Para mantener la apariencia original, limpie solamente con agua limpia y un paño húmedo y suave.
- No use pinturas, disolventes ni ningún otro químico en este detector de movimiento. Podrían ser la causa de una prematura deterioración del acabado. Esto no es un defecto del acabado y no será cubierto por la garantía.
- No rocíe con manguera ni con una lavadora eléctrica.

Análisis de averías

| Problema | Causa Probable | Solución |
|---|--|--|
| La lámpara no se enciende. | <ul style="list-style-type: none"> <input type="checkbox"/> El interruptor de la luz está apagado. <input type="checkbox"/> La bombilla está floja o quemada. <input type="checkbox"/> El fusible está quemado o el disyuntor está desconectado. <input type="checkbox"/> El apagado de la luz diurna (fotocélula) está vigente. <input type="checkbox"/> El cableado del circuito es incorrecto, si esta es una instalación nueva. <input type="checkbox"/> El detector de movimiento está enfocando a la dirección incorrecta. <input type="checkbox"/> La temperatura del aire exterior está cercana al calor corporal de una persona. | <ul style="list-style-type: none"> <input type="checkbox"/> Encienda el interruptor de la luz. <input type="checkbox"/> Revise la bombilla y cámbiela si está quemada. <input type="checkbox"/> Cambie el fusible o conecte el disyuntor. <input type="checkbox"/> Vuelva a revisar al amanecer. <input type="checkbox"/> Verifique que el cableado esté correcto. <input type="checkbox"/> Vuelva a enfocar el detector de movimiento para que cubra el área deseada. <input type="checkbox"/> Aumente la calibración del alcance ("RANGE"). |
| La luz se enciende durante el día. | <ul style="list-style-type: none"> <input type="checkbox"/> El detector de movimiento puede estar instalado en un sitio relativamente oscuro. <input type="checkbox"/> El interruptor de duración ("ON-TIME") está en la posición prueba ("TEST"). | <ul style="list-style-type: none"> <input type="checkbox"/> El detector de movimiento está operando normalmente bajo estas circunstancias. <input type="checkbox"/> Coloque el interruptor de duración ("ON-TIME") en la calibración 1, 5 o 20 minutos. |
| La luz se enciende sin razón aparente. | <ul style="list-style-type: none"> <input type="checkbox"/> El detector de movimiento puede estar detectando pequeños animales o tráfico automotor. <input type="checkbox"/> El cuadrante alcance ("RANGE") está calibrado demasiado alto. <input type="checkbox"/> El interruptor "DUALBRITE" está en la calibración 3 horas, 6 horas, o del crepúsculo al amanecer. <input type="checkbox"/> La temperatura exterior está más caliente o más fría que el calor corporal de una persona (verano o invierno). <input type="checkbox"/> El detector de movimiento está cableado a través de un reductor de luz o de un temporizador. | <ul style="list-style-type: none"> <input type="checkbox"/> Vuelva a enfocar al detector de movimiento. <input type="checkbox"/> Reduzca la calibración del alcance ("RANGE"). <input type="checkbox"/> El detector de movimiento está operando normalmente bajo estas circunstancias. <input type="checkbox"/> Reduzca la calibración del alcance ("RANGE"). <input type="checkbox"/> No use un reductor de luz o un temporizador para controlar el detector de movimiento. Cambie el reductor de luz o el temporizador por un interruptor de pared estándar de encendido/apagado. |
| Las luces se apagan demasiado tarde en la calibración crepúsculo-al-amanecer. | El detector de movimiento puede estar instalado en un sitio relativamente oscuro. | Vuelva a colocar el detector de movimiento o utilice la calibración de 3 horas ó 6 horas. |

Análisis de averías (continuación)

| Problema | Causa Probable | Solución |
|--|---|--|
| Las luces permanecen encendidas constantemente. | <ul style="list-style-type: none"> <input type="checkbox"/> Una bombilla está demasiado cerca del detector de movimiento o enfocando a objetos cercanos que producen calor y activan el detector de movimiento. <input type="checkbox"/> El detector de movimiento puede estar absorbiendo calor de una fuente de calor como una ventosa de aire, una secadora de aire, o una superficie pintada con colores brillantes y que refleja el calor. <input type="checkbox"/> El detector de movimiento está en la fase manual. <input type="checkbox"/> El detector de movimiento está cableado a través de un reductor de luz o de un temporizador. <input type="checkbox"/> El detector de movimiento está en el mismo circuito que un motor, transformador o bombilla fluorescente. | <ul style="list-style-type: none"> <input type="checkbox"/> Vuelva a colocar la bombilla apartándola del detector de movimiento o de los objetos cercanos. <input type="checkbox"/> Reduzca la calibración del alcance ("RANGE") o vuelva a colocar el detector de movimiento. <input type="checkbox"/> Cambie el detector de movimiento a automático. Vea <i>Uso de la fase manual</i> en la página 20. <input type="checkbox"/> No use un reductor de luz o un temporizador para controlar el detector de movimiento. Cambie el reductor de luz o el temporizador por un interruptor de pared estándar de encendido/apagado. <input type="checkbox"/> Instale el detector de movimiento en un circuito que no tenga motores, transformadores o bombillas fluorescentes. |
| Las luces se encienden y se apagan. | <ul style="list-style-type: none"> <input type="checkbox"/> El calor o la luz de las bombillas puede estar encendiendo y apagando al detector de movimiento. <input type="checkbox"/> El calor reflejado desde otro objeto puede estar encendiendo y apagando al detector de movimiento. <input type="checkbox"/> El detector de movimiento está en la fase "TEST" (PRUEBA) y calentándose. <input type="checkbox"/> La luz puede tener un escape por los reflectores de la bombilla. <input type="checkbox"/> El detector de movimiento está en la fase AlertFlash (FLASH). | <ul style="list-style-type: none"> <input type="checkbox"/> Vuelva a colocar las bombillas lejos del detector de movimiento. <input type="checkbox"/> Vuelva a colocar el detector de movimiento. <input type="checkbox"/> El prenderse y apagarse es normal bajo estas condiciones. <input type="checkbox"/> Cambie las bombillas con nuevas bombillas PAR 38 de alta calidad. <input type="checkbox"/> El prender y apagarse es normal en esta fase. Seleccione la fase de Seguridad ("NORMAL") o BulbSaver ("SOFT") para desactivar el prendido y apagado. |
| Las luces destellan una vez y luego permanecen apagadas en la fase manual. | El detector de movimiento está detectando luz que viene de las bombillas. | Vuelva a poner las bombillas para mantener relativamente oscura el área debajo del detector de movimiento. |

DEFIANT®

¿Tiene preguntas, problemas o piezas faltantes? Antes de la devolución al almacén llame al
Servicio al Cliente de Defiant de
8 a.m.-6 p.m., Hora del Este, de lunes a viernes.

1-866-308-3976

HOMEDEPOT.COM

Guarde este manual para uso futuro.