

# 26 IN. TILE INSERT LINEAR SHOWER DRAIN

## Installation & Care Instructions



### BEFORE YOU START

- If the drain is used for large showers with multiple heads, please check to make sure that the drainage capacity is sufficient.
- Cahaba recommends taping or closing the drain opening of the shower drain with a cement cap prior to the assembly to prevent construction debris from getting into the drainage pipe.
- Make sure the drain is level all around.
- Check the drainage system and the sewer system connection for water tightness.
- In order to prevent hollow spaces, all empty space beneath the drain must be completely filled up and sealed with floor pavement up to the top edge of the drain flange. The seal must be in compliance with the state and local standards.
- The drain is only intended for use with waste water common in households. Do not use other fluids as well as cleaning agents with the potential to damage sanitary equipment, drainage equipment and raw materials.
- Construct the floor according to state and local building codes.
- Metal edges may be sharp – use caution when handling.
- Follow all local plumbing and building codes.

### FOR MODEL NUMBERS

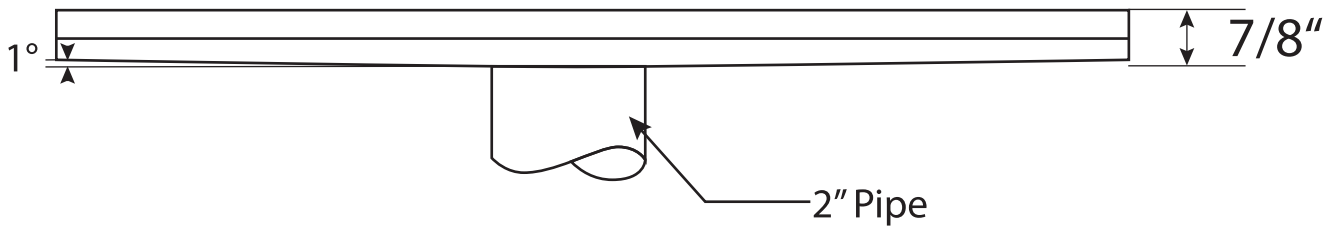
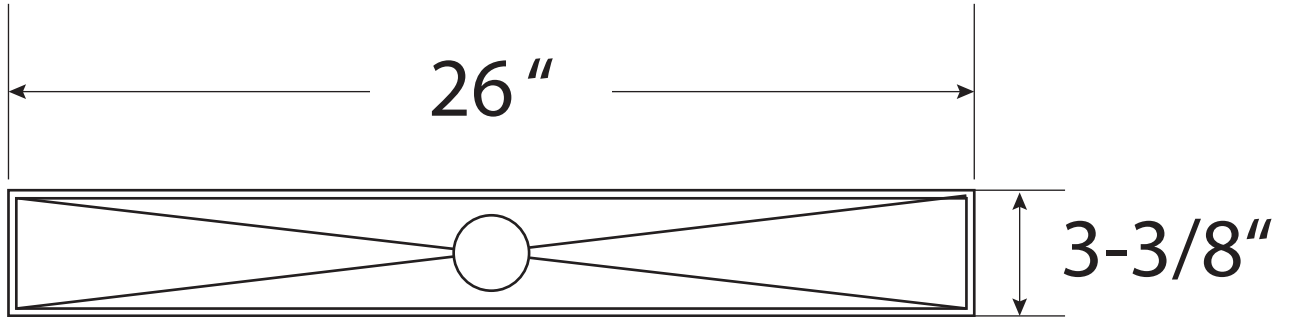
CAT126

### RECOMMENDED TOOLS

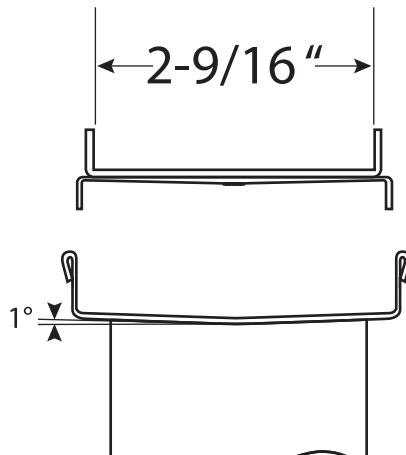
- Tape Measure
- Safety Glasses
- Level
- Silicone Sealant
- Assorted Screwdrivers
- Thinset Mortar
- Masking Tape or Cement Cap
- Screws (supplied)

# 26 IN. TILE INSERT LINEAR SHOWER DRAIN

Specifications



Grate Removeable From Channel for Easy Cleaning



# 26 IN. TILE INSERT LINEAR SHOWER DRAIN

## Installation Instructions

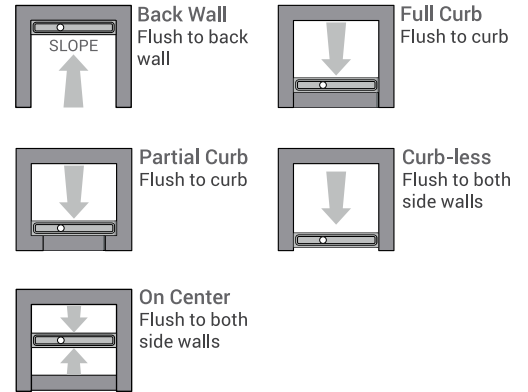


### PREPARE THE WALL & SUB-FLOOR

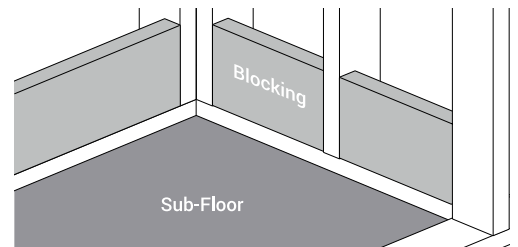
1. Confirm your drain size, waste pipe type and waste pipe location. Determine the location to place your drain. Refer to the **Typical Drain Locations** diagram (A) for options.
2. Blocking between studs may be needed for flashing and membrane attachment prior to drain installation (B).
3. Check to ensure the sub-floor is smooth and level. Clean the sub-floor.

► **IMPORTANT:** Confirm your sub-floor meets all local code requirements and the *Tile Council of North America's (TCNA) guidelines.*

#### (A) TYPICAL DRAIN LOCATIONS



#### (B) BLOCKING BETWEEN STUDS



### ALIGN WASTE PIPE

#### IF NO WASTE PIPE IS INSTALLED:

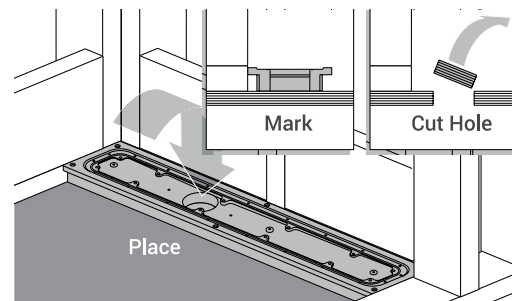
1. Place drain base in desired location on sub-floor. Mark waste pipe location on sub-floor. Cut opening in sub-floor to access plumbing below (C)
2. Follow local plumbing codes to properly install and secure 2" Sch. 40 ABS or PVC waste pipe 3/4" above sub-floor.

#### IF WASTE PIPE IS PRE-INSTALLED

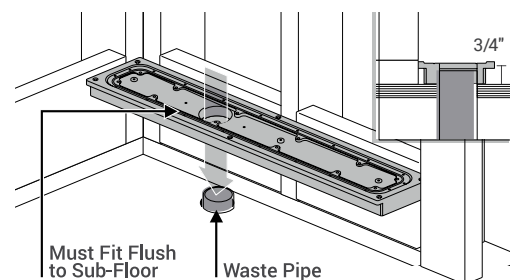
3. Dry fit drain base over location of existing waste pipe. If location does not allow drain base to fit flush against at least 2 shower walls, move location of plumbing to allow for proper installation. May also require moving existing studs and toe plate (D).

► **NOTE:** Waste pipe may be installed after fastening drain base if accessible from below.

#### (C) INSTALLING NEW WASTE PIPE



#### (D) WORKING WITH EXISTING WASTE PIPE



# 26 IN. TILE INSERT LINEAR SHOWER DRAIN

## Installation Instructions



### PREP FOR MORTER BED & INSTALL DRAIN

1. Mark for the bed slope: 1/4" per foot slope to drain is required (E).

For Concrete Sub-Floor Steps 2 & 3

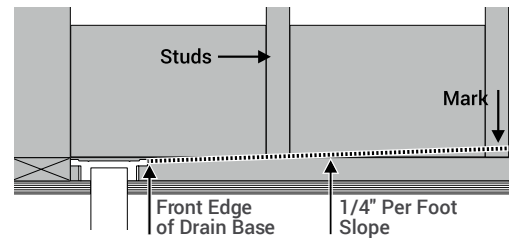
For Wood Sub-Floor Step 3 only

2. Mark for Anchors: Dry fit drain base over waste pipe. Mark all holes in outside flange of drain base on concrete floor. Remove drain base. Drill 1/4" holes, 1-1/2" deep where marked. Drive plastic anchors flush into all holes.

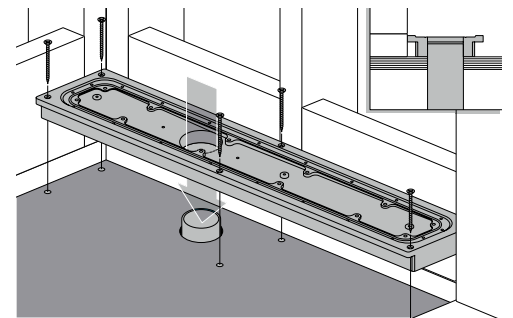
3. Install Drain Base to Waste Pipe and Sub-Floor: Apply appropriate plastic pipe cement and primer to drain and waste pipe following local plumbing codes and manufacturers instructions. Fit and fully seat drain base onto waste pipe. Fasten drain base to sub-floor by screwing 2-1/2" deck screws through all holes in outside flange of drain base into plastic anchors or directly into wood sub-floor (F). Do not over-tighten.

► **CAUTION:** Confirm proper plastic pipe cement and primer for drain base type (PVC or ABS). Check drain base label to confirm.

(E) MARK FOR BED SLOPE



(F) INSTALL DRAIN BASE

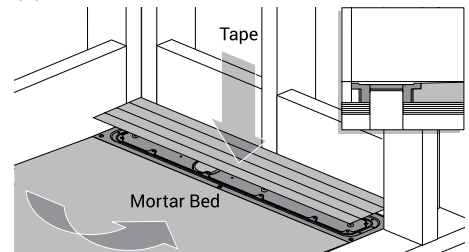


### INSTALL SLOPED BED

1. Protect Drain Base: Apply tape over entire top surface of drain base (G).

2. Install Pre-Sloped Bed: Follow industry standards to complete sloped mortar bed installation. Be certain mortar completely fills void below drain base flange. Allow to dry before proceeding.

(G) PROTECT DRAIN BASE



### PREPARE FLASHING

#### DRAIN AT BACK WALL

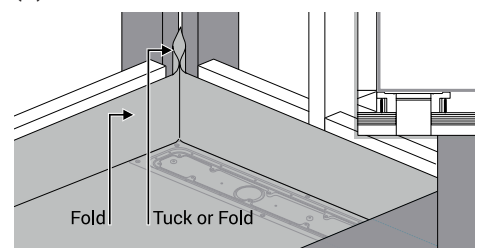
1. flashing must turn up the walls a minimum of 3" above shower curb and 6" above floor in showers without curbs Measure width of shower floor across drain base. Lay flashing flat. Measure and mark flashing. Fold and crease for upturns and create corners (H).

**Tucked Corner (when space is available between studs):** Fold and crease to size. Tuck shower pan liner into space between studs (I).

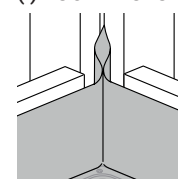
**Folded Corner:** Fold and crease to size. Fold corners behind shower pan liner (J).

► **IMPORTANT:** Do not secure flashing at this time.

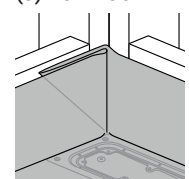
(H) FLASHING FOR DRAIN AT BACK WALL



(I) TUCK IN STUDS



(J) FOLD CORNER



# 26 IN. TILE INSERT LINEAR SHOWER DRAIN

## Installation Instructions



### PREPARE FLASHING (CONTINUED)

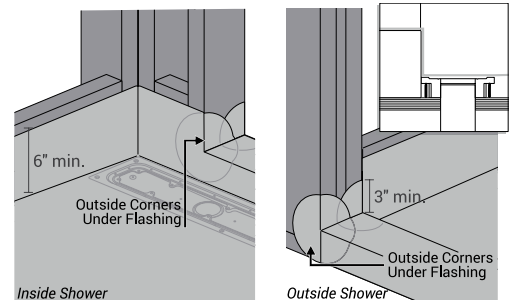
#### DRAIN AT FULL CURB OR PARTIAL CURB ENTRY

1. Flashing must turn up the walls a minimum of 3" above shower curb and 6" above floor in showers without curbs (H).
2. Prior to installing flashing, install pre-formed outside corners (available separately) following manufacturer's instructions. 2 per side.
3. Measure width of shower floor across drain base. Measure up and over curb. Lay flashing flat. Measure and mark flashing.
4. Cut, fold and crease to proper size and fit (K).

► **IMPORTANT:** Do not secure flashing at this time.

► **NOTE:** Preformed curbs may also be used. See manufacturer's instructions.

#### (H) FLASHING FOR DRAIN AT CURB ENTRY

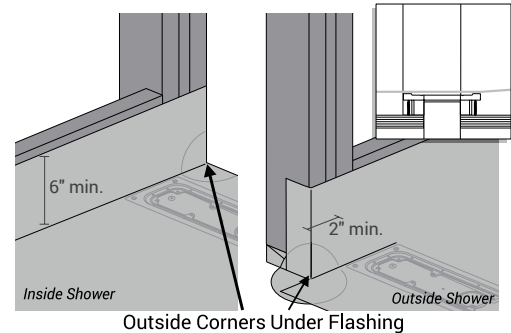


#### DRAIN AT CURB-LESS ENTRY

1. Flashing must turn up the walls a minimum of 3" above shower curb and 6" above floor in showers without curbs.
2. Measure width of shower floor across drain base.
3. Lay flashing flat. Measure and mark flashing. Cut, fold and crease to proper size and fit (L).

► **IMPORTANT:** Do not secure flashing at this time.

#### (L) FLASHING FOR DRAIN AT CURB-LESS ENTRY

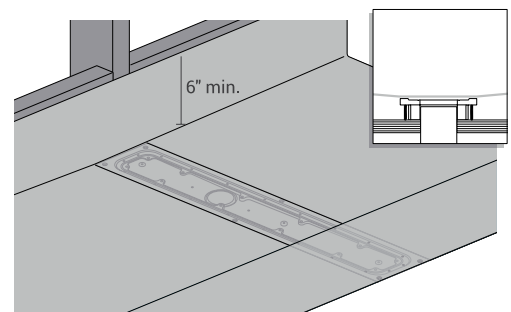


#### DRAIN ON CENTER

1. Flashing must turn up the walls a minimum of 3" above shower curb and 6" above floor in showers without curbs.
2. Measure width of shower floor across drain base.
3. Lay flashing flat. Measure and mark flashing. Cut, fold and crease to proper size and fit (M).

► **IMPORTANT:** Do not secure Shower Pan Liner at this time.

#### (M) FLASHING FOR DRAIN ON CENTER



# 26 IN. TILE INSERT LINEAR SHOWER DRAIN

## Installation Instructions

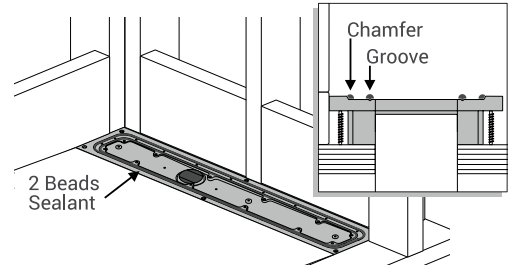


### INSTALL FLASHING

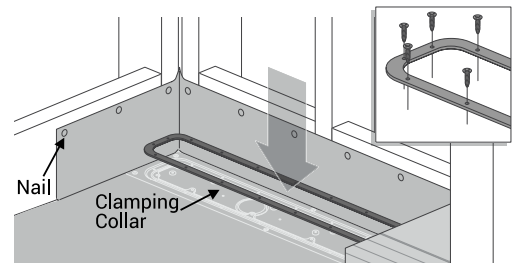
1. Lift out flashing. Remove tape, leaving tape over drain hole only. Apply a 1/8" continuous bead of sealant around chamfer on base flange and another bead in groove on drain base (N).
2. Apply latex-modified thin-set to mortar bed, walls and curb as needed. Apply sealant to any preformed corners.
3. Align membrane and firmly press all areas of membrane into adhesive on walls, floor, curb and sealant on drain base and any pre-formed corners.
4. Fasten Flashing by nailing through top 1" of flashing to studs and/or blocking (O).
5. Install clamping collar. Align collar with drain base under flashing. Press firmly. Starting at one end, insert 5/8" screw through collar, punch through flashing and screw into base. Repeat for all screws. **Do not over-tighten (O).**
6. Cut Out Flashing. With a razor knife, carefully trim out flashing from center of collar. Remove tape from drain hole (P).

► **CAUTION:** Do not puncture flashing outside of collar.

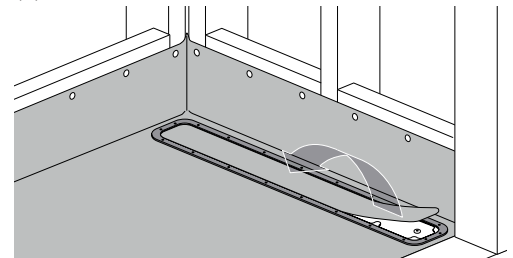
(N) APPLY SEALANT



(O) FASTEN AND INSTALL CLAMPING COLLAR



(P) TRIM OUT FLASHING FROM COLLAR



### COMPLETE WATERPROOFING

1. Complete installation of bonded waterproofing membrane (ANSI A118.10) on shower floor. Any waterproofing membrane material or procedure can be used (vinyl, CPE membrane, roll/paint on, metal pan, hot mop, surface Sheet Membrane, etc.).
2. Flood test as required by local codes.
3. Install Backer Board and Wall Waterproofing: Install 1/2" backer board and wall waterproofing according to manufacturer's instructions, local plumbing codes and TCNA guidelines.

► **NOTE:** TCNA guidelines require waterproofing or a vapor membrane be installed on all walls.

► **CAUTION:** Do not puncture flashing.

# 26 IN. TILE INSERT LINEAR SHOWER DRAIN

## Installation Instructions



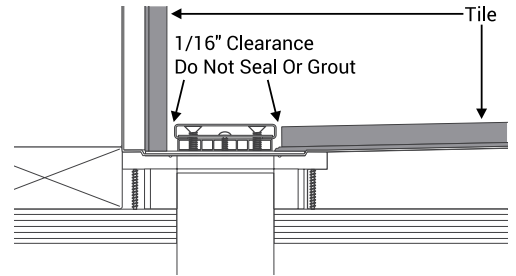
### INSTALL TILE & COMPLETE INSTALLATION

1. Temporarily Attach Strainer: Place strainer over height adjustment screws. Temporarily fasten with three 1" pan head screws. Do not over-tighten.
2. Tile and Grout: Be certain strainer is protected with tape. Allow for 1/16" clearance between strainer and tile (Q).

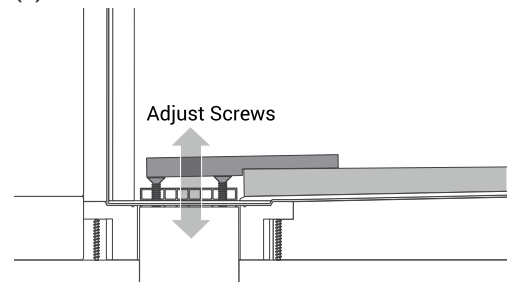
► **CAUTION:** Do not grout or seal this space.

3. Tile all surfaces following manufacturers instructions and TCNA guidelines.
4. Install tile into tile insert tray (Tile Insert Drains Only). Grout, clean, and seal all tile in the shower area.
5. Adjust Strainer Height: Remove strainer. Remove tape from strainer and clean any remaining residue. Place thin end of height adjustment tool on tile and rest other end on height adjustment screw. Adjust screw for level. Repeat for all height adjustment screws (R).
6. Place strainer over height adjustment screws. Confirm that strainer is flush with all tiles. Fasten with three 1" pan head screws. Do not over-tighten.

(Q) KEEP 1/16" CLEARANCE



(R) ADJUST STRAINER HEIGHT



# 26 IN. TILE INSERT LINEAR SHOWER DRAIN

## Care & Maintenance Instructions



### RECOMMENDED CLEANERS

- ▶ For stains or light scratches, we suggest a mildly aggressive cleaner. You can also try a paste of baking soda and water, but be sure to rinse well and dry.
- ▶ For stubborn stains and more noticeable scratches, we suggest a more aggressive cleaner such as Bar Keeper's Friend®. For extremely stubborn stains, you may also try to use a Scotch-Brite™ Pad.
- ▶ When using any of these cleaners, it is critical that you rub in the direction of the grain lines, rinse completely and towel dry.

### SUGGESTED MAINTENANCE

- ▶ Do not use abrasives, sharp or scraping objects to clean your linear drain.
- ▶ The hair catcher should be cleaned periodically to remove any dirt that may have collected during regular use.

### CAUTION

- ▶ Don't rub the across the satin finish lines. Scouring across the satin finish lines can damage the original finish.
- ▶ Don't allow soap or other household cleansers to dry on the surface of the linear drain. Most brands contain chemical additives which will affect the original finish.
- ▶ Don't use solutions of chlorine bleach and water in the drain. Chlorides, which are found in most soaps, detergents, bleaches, and cleansers, are very aggressive to stainless steel. If left too long, they can cause surface pitting.
- ▶ Don't leave wet sponges, cloths, or cleaning pads on the linear drain. This can lead to surface rust.
- ▶ Don't use a steel wool pad to clean your linear drain. If a more abrasive product is needed, use a green Scotch-Brite™ pad, being sure to rub in the direction of the satin finish lines. Steel wool pads have a tendency to break apart and small particles of steel can become embedded in the surface of the linear drain. The steel particles will rust and will give the appearance that the drain itself is rusting.



# LIMITED LIFETIME WARRANTY



This product has been manufactured and tested to the highest quality standards by Cahaba. We offer our customers thoughtfully crafted fixtures & accessories, engineered for enduring performance over years of use.

## WHO IS COVERED BY THE WARRANTY

This warranty extends to the original purchaser only. This warranty is not transferable, between homes or owners and is only applicable to residential use.

## WHAT IS COVERED BY THE WARRANTY

Cahaba warranties this product against defects due to material or craftsmanship error during the warranty period: Cahaba will provide replacement parts at no charge, or at its option, replace any product or part of the product that is deemed defective, under normal installation, use, service and maintenance. If Cahaba is unable to provide a replacement and repair is not practical or cannot be made in timely fashion, Cahaba may elect to refund the purchase price in exchange for the return of the product.

## CONDITIONS AND EXCLUSIONS

Like other home fixtures, Cahaba products will require light maintenance to ensure proper function. We provide you with complete knowledge to perform this maintenance and can also recommend resources if you are unable to fulfill this service.

- A. Cahaba will not be responsible for product failures due to lack of maintenance or proper use. Please read your care and maintenance documentation to determine the limits of proper use.
- B. The original sales receipt, order number, and/or proof of purchase must be presented at the time of the warranty claim, without exception, for this warranty to be applied to all Cahaba products.
- C. Cahaba recommends installing all Cahaba products with a licensed, professional plumber. Cahaba will not be held responsible for any damage or product failure due to improper installation, misuse, or failure to use a licensed professional. Please read your care and maintenance documentation to determine the limits of proper use.
- D. Commercial use will automatically void this warranty.

## NON-APPLICABILITY OF THIS WARRANTY

By the purchase and use of our products, you agree that Cahaba is not liable for incidental, consequential or special damages associated with the return, replacement, installation or use of your product. This includes freight costs, cartridge replacement, labor, travel time, lost profit, home damages and other contingent liabilities and costs (including, without limitation, costs associated with experts, investigations, analyses, attorneys and other professionals and services).

The Cahaba warranty is a comprehensive and explicit limit of liability and all items outside of it are not addressable by or the responsibility of Cahaba. Certain states have variances regarding implied warranties and in those situations we remain fully compliant. Cahaba makes no implication that products comply with any or all local building or plumbing codes. It is the consumer's responsibility to determine local code compliance. This warranty extends to the original purchaser and first consumer.