

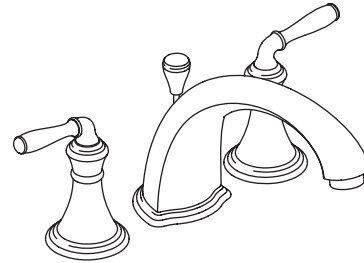
Features

- Brass construction
- Bath- or deck-mount
- Lever handles
- 9" (22.9 cm) high-arch spout with slip-fit connection and diverter knob

Codes/Standards Applicable

Specified model meets or exceeds the following:

- ASME A112.18.1
- IAPMO/UPC
- CSA B125
- ADA



Colors/Finishes

- CP: Polished Chrome
- Other: Refer to Price Book for additional colors/finishes

Specified Model

Model	Description	Colors/Finishes	
K-T387-4	Bath faucet trim	<input type="checkbox"/> CP	<input type="checkbox"/> Other _____
Required Accessory			
K-438-K	1/2" high-flow ceramic disc valve system with integral diverter	<input type="checkbox"/> NA	
Optional Accessories		Colors/Finishes	
K-10597	Handshower	<input type="checkbox"/> CP	<input type="checkbox"/> Other _____
K-10573	Deck handshower holder	<input type="checkbox"/> CP	<input type="checkbox"/> Other _____

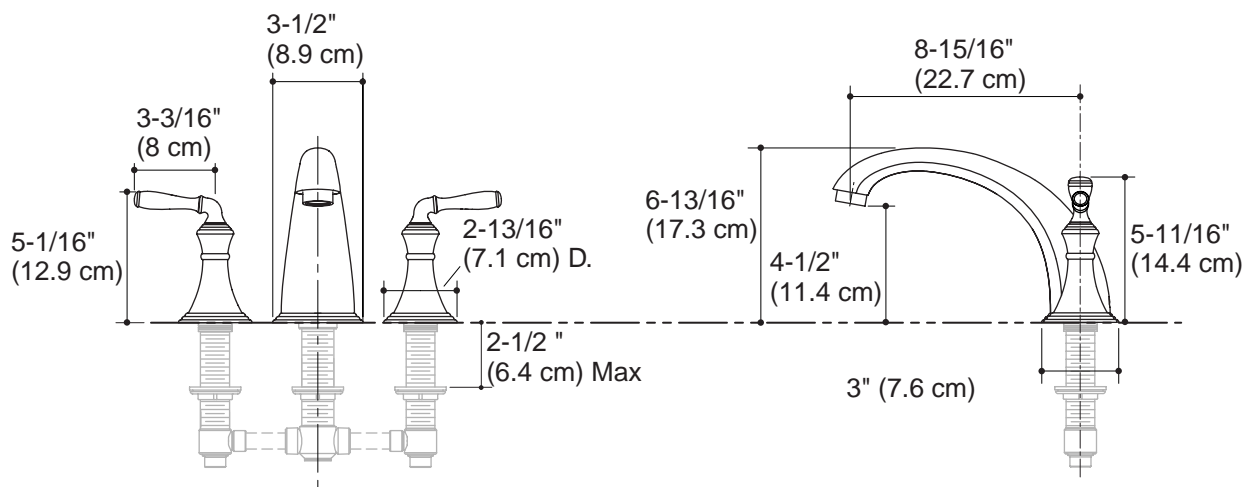
Product Specification

Two-handle bath- or deck-mount bath faucet trim shall be of brass construction. Product shall install to bath or finished deck. Product shall include a 9" (22.9 cm) high-arch spout with slip-fit connection and diverter knob. Product shall include lever handles. Faucet trim shall be Kohler Model K-T387-4-_____ and valve system shall be Kohler Model K-438-K-NA.

DEVONSHIRE®

Installation Notes

Install this product according to the installation guide.



Product Diagram