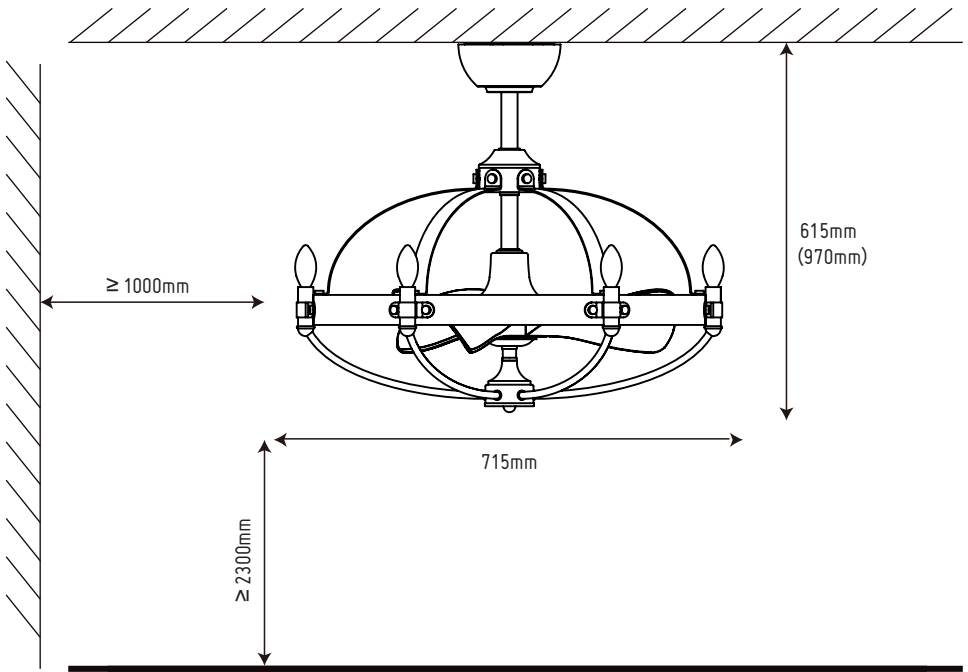


# TECHNICAL SPECIFICATIONS



Model	No. of blades	Fan width	Light bulb	Voltage
BBA519006CB	3	715mm	6 x 4W LED	110-120V~ 60Hz

Speed	Amps	Wattage	RPM	CFM	Nett weight	Gross weight
1	0.040	1.4	88	600	12.6 kg	18.5 kg
2	0.051	2.4	135	1000		
3	0.075	4.5	185	1350		
4	0.119	8.2	235	1750		
5	0.190	14.1	285	2150		
6	0.327	27.3	330	2600		

*Specifications & measurements shown are subject to  $\pm 5\%$  variations.*