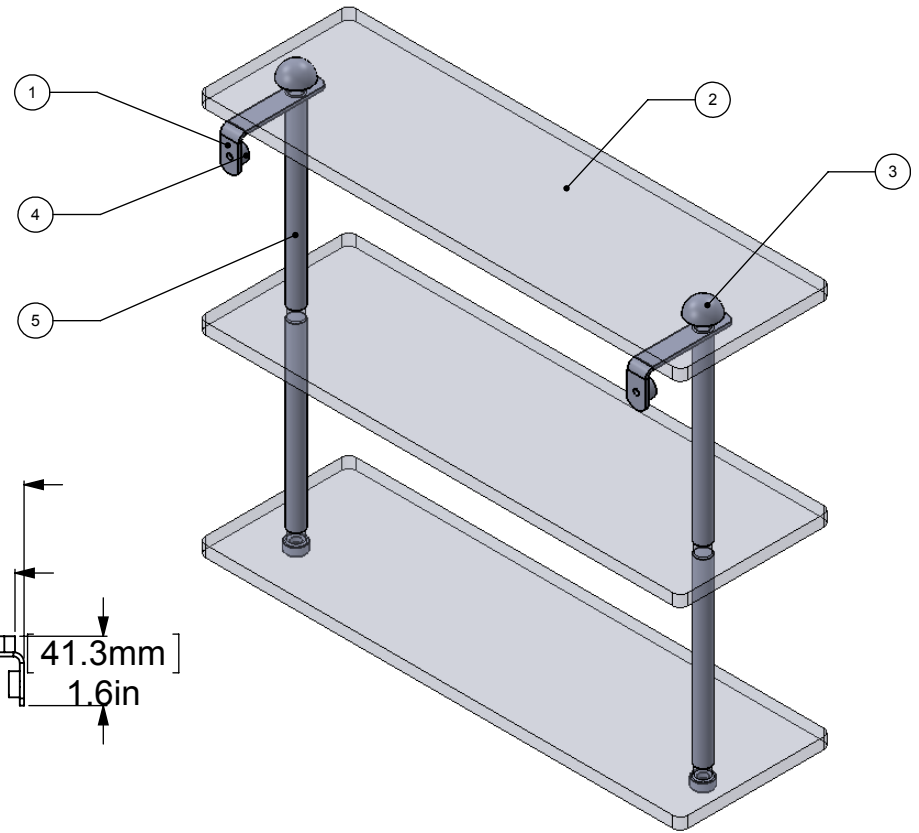
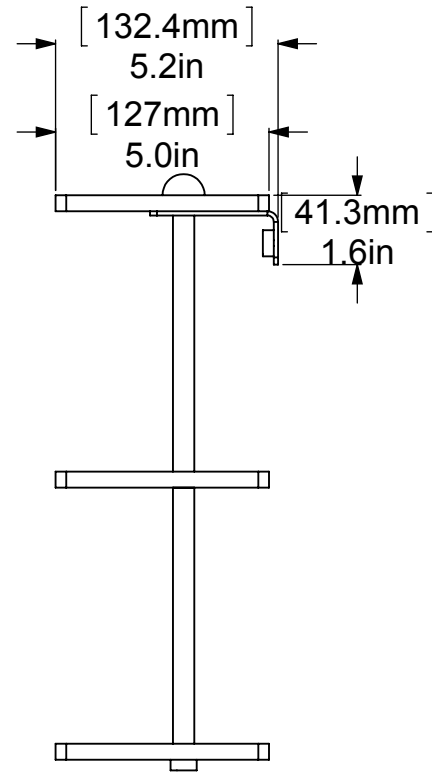
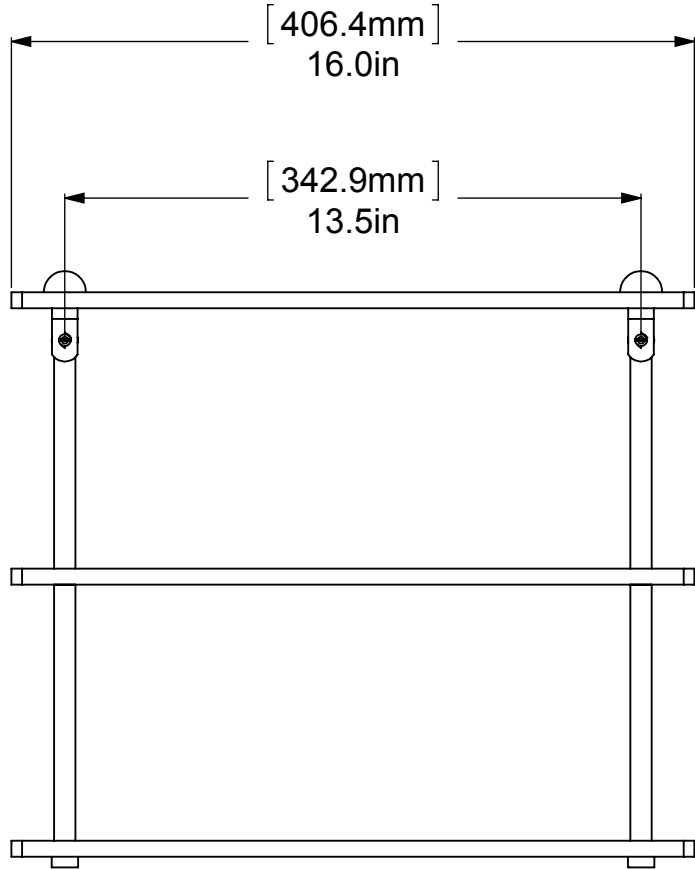


ITEM NO.	P/N	Description	QTY.
1	BKSH-2AD	BRACKET	2
2	GLRT-16	GLASS	3
3	CAHR-1	END BALL	2
4	CARD-58	END CAP	4
5	TU12-6	TUBE SUPPORT	4




UNLESS OTHERWISE STATED

.X	±.3mm
.XX	±.15mm
.XXX	±.008mm

COPYRIGHT © Allied Brass 2016



THIRD ANGLE PROJECTION

DRAWN	6/23/2016	I.M	MATERIAL:	BRASS	FINISH	TBD
CHECKED	6/23/2016	P.D	DESCRIPTION:	SHELF	QUANTITY	TBD
APPROVED	6/23/2016	R.A			DRAWING No.	REV
				RC-5-16	0	
				SCALE	1:4.5	SHEET: 01
						A4