

RYOBI
Cordless String Trimmer
Manufacturing Number 107890024
Item Number P20103
Repair Sheet

TECHTRONIC INDUSTRIES NORTH AMERICA, INC.

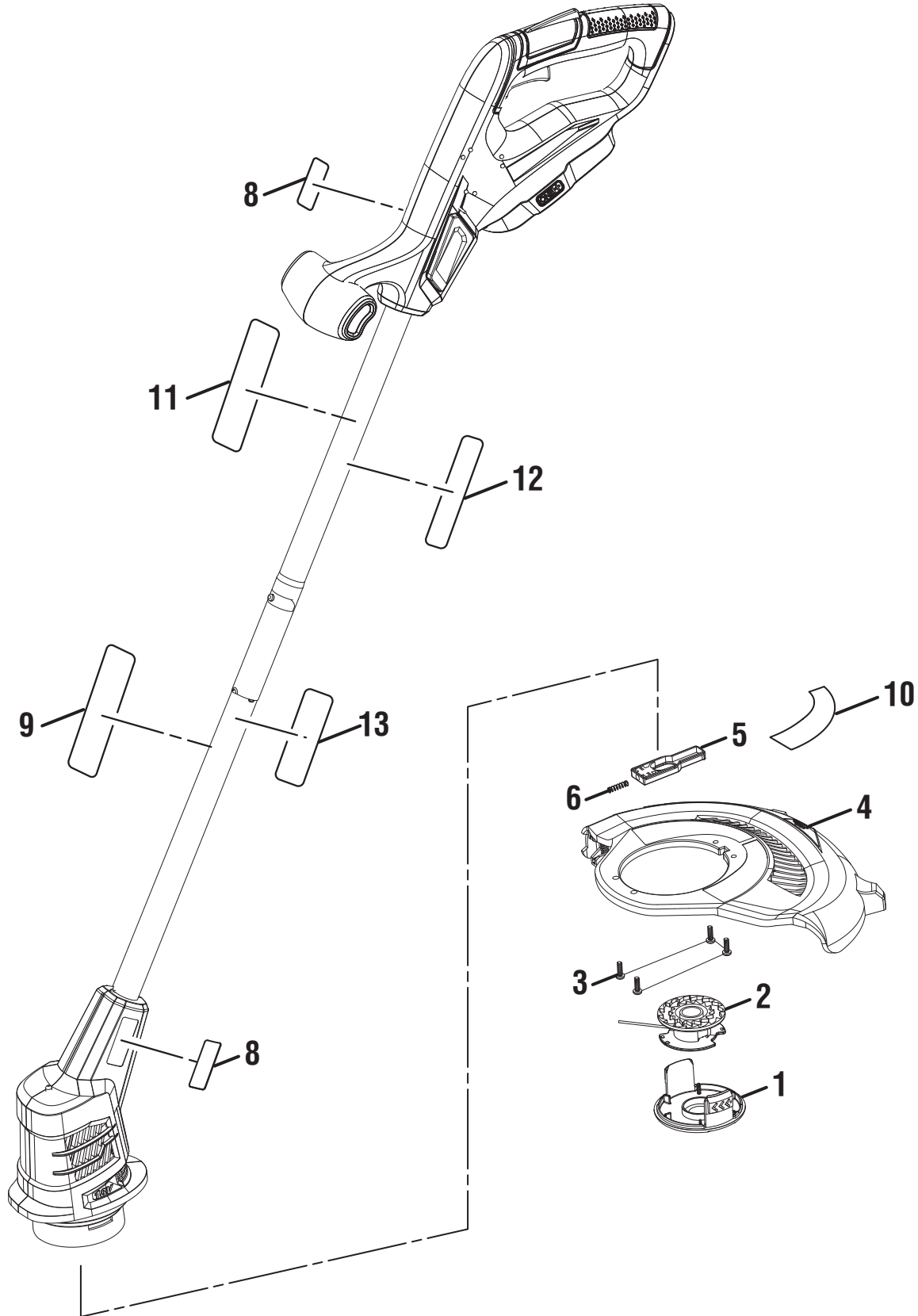
P.O. Box 1288, Anderson, SC 29622

Phone 1-800-860-4050

www.ryobitools.com

RYOBI P20103 18 VOLT STRING TRIMMER

The model number will be found on a label attached to the motor housing. Always mention the model number in all correspondence regarding your **STRING TRIMMER** or when ordering replacement parts.



RYOBI P20103 18 VOLT STRING TRIMMER

The model number will be found on a label attached to the motor housing. Always mention the model number in all correspondence regarding your **STRING TRIMMER** or when ordering replacement parts.

PARTS LIST

KEY NO.	PART NUMBER	DESCRIPTION	QTY
1	522994001	Spool Cap (AC14HC)	1
2	310917009	Spool w/Line	1
3	660208055	Screw (M4 x 12 mm, Pan Hd.)	4
4	313564002	Guard w/Blade Assembly (Inc. Key No. 10).....	1
5	310920001	Slider Assembly	1
6	679034001	Compression Spring	1
8	940114179	Logo Label	2
9	940020025	18V Boom Lithium Logo Label.....	1
10	941588460	Autofeed No Bump Guard Label.....	1
11	941013004	Warning Icons Label	1
12	941013005	Warning Label (French/Spanish)	1
13	941588459	Data Label.....	1
	Not Shown		
	995000977	Operator's Manual	
	9-24-19		
	(Rev:01)		