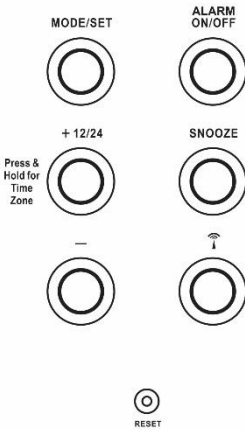


ATOMIC DIGITAL CLOCK

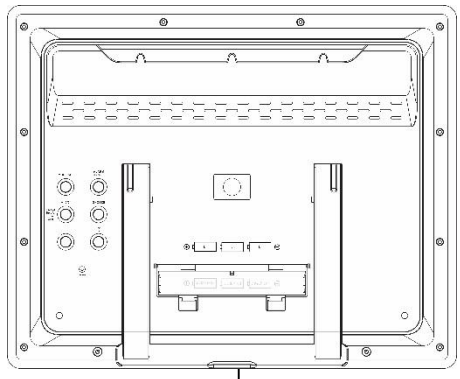
Time and Alarm



Month, Date, & Weekday



Buttons



3 "C" Batteries





Get Started

Step 1: Insert three new “C” batteries according to polarity markings.

Step 2: Do not press any buttons for four minutes. The clock will search for a WWVB time signal. The tower icon will flash.

Restart: Remove batteries from the clock. Press any button on the clock 20 times. After 15 minutes, return to **Step 1** above.

WWVB Radio-controlled Time

- Hold the  button to search for the WWVB time signal. 
- WWVB Icon will flash when searching.
- If only the bottom of the tower icon is showing and the top of the icon is not there or partially there, reposition the atomic digital clock for better signal reception. 
- When WWVB signal reception occurs, the time and date will set and the tower icon  will show solid above the seconds

For information about WWVB visit:

www.nist.gov/pml/div688/grp40/wwvb.cfm

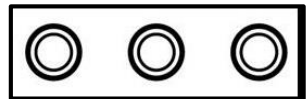
Atomic Time Signal Search:

The atomic clock will search for 1 hour between midnight and 6am until the WWVB time signal is received. After reception, the atomic clock will only search for the atomic signal after midnight.

Set Time, Calendar, DST Indicator

- Hold the **MODE/SET** button to enter the setting mode.
- Press the **+** or **-** buttons to adjust a value.
- Press the **MODE/SET** button to confirm adjustment and move to the next item.

MODE/SET + 12/24 -



Setting order:

1. Hour, 2. Minutes, 3. Seconds, 4. Year, 5. Month/Date format (M/D or D/M), 6. Month, 7. Date, 8. DST indicator

Note: The clock will default back to time display if no buttons are pressed for 30 seconds.

Time Zone Selection/12/24 Hour time Format

+ 12/24

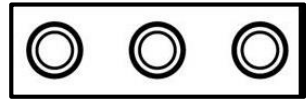
- Press the **+ 12/24** button to select 12 hour or 24 hour time format. Default is 12 hour time.
- Hold the **+12/24** button to select the time zone.
There are four time zones:
 - **P** = Pacific
 - **M** = Mountain
 - **C** = Central
 - **E** = Eastern



Alarm Set

- Press the **MODE/SET** button to enter Alarm Mode. “**AL**” will show on the display.
- Hold the **MODE/SET** button to enter alarm set mode.
- Press the **+** or **-** buttons to adjust a value.
- Press the **MODE/SET** button to confirm adjustment and move to the next item

MODE/SET + 12/24 -



Setting Order:

1. Hour
2. Minutes

Activate/Deactivate Alarm

- Press the **ALARM ON/OFF** button to activate the alarm.
- The bell icon will appear when alarm is active.
- Press the **ALARM ON/OFF** button to deactivate the alarm.
- The bell icon will disappear.

ALARM
ON/OFF



Snooze

- When the alarm sounds, press the **SNOOZE** button to trigger snooze alarm for 5 minutes.
- The snooze icon **Zz** will flash above the time.

SNOOZE

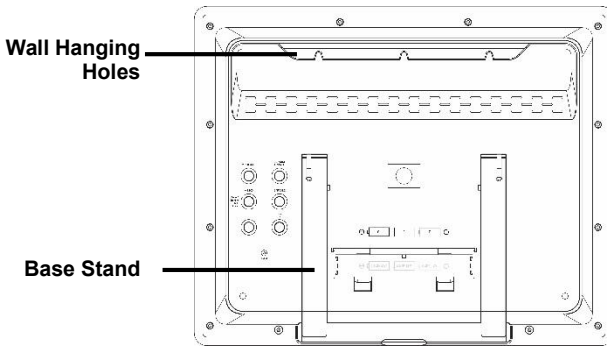


Reset Button

- If the clock display appears distorted or is not responding to buttons, use a pen or paperclip to press **RESET** one time.
- This will reset the clock to default settings.

○
Reset

Position Clock



When positioning the atomic digital clock it is always best to have the front or the back facing Ft. Collins, Colorado for best WWVB signal reception.

Wall Mount:

Insert three screws (not included) into the desired wall, about 3.9 inches (10 cm) apart. Leave the head of the screws extended out by about 0.2" (5mm). Carefully hang the atomic digital clock on the screws, using the hanging holes on the back of the atomic digital clock.

Note: Always ensure that the clock locks onto the screws.

Table stand:

Pull out the table-stand from the rear of the atomic digital clock. Pull out from the bottom. Place on table or desk as desired.

Specifications

Power Requirements:

| | |
|---------------|--|
| Atomic Clock: | Requires three "C" IEC LR14 alkaline batteries (not included). |
|---------------|--|

Battery Life:

| | |
|---------------|--|
| Atomic Clock: | Battery life is over 12 months when using reputable battery brands |
|---------------|--|

Dimensions:

| | |
|---------------|--|
| Atomic clock: | 15.65" H x 19.25" W x 1.57" D (39.75 cm H x 48.89 cm W x 3.99 cm D) |
|---------------|--|

Care and Maintenance

- Do not mix old and new batteries
- Do not mix Alkaline, Standard, Lithium or Rechargeable Batteries
- Always purchase the correct size and grade of battery most suitable for the intended use.
- Replace all batteries of a set at the same time.
- Clean the battery contacts and also those of the device prior to battery installation.
- Ensure the batteries are installed correctly with regard to polarity (+and -).
- Remove batteries from equipment when is not to be used for an extended period of time.
- Remove expired batteries promptly.

Warranty and Support Information

La Crosse Technology, Ltd. provides a 1-year limited time warranty (from date of purchase) on this product relating to manufacturing defects in materials & workmanship.

Before returning a product, please contact our friendly customer support staff or visit our online help (manuals and FAQs):

Phone: 1-608-782-1610

Online Product Support: www.lacrossetechnology.com/support

Product Registration:

www.lacrossetechnology.com/support/register

View full warranty details online at:

www.lacrossetechnology.com/warranty_info.pdf

Warranty Address:

La Crosse Technology, Ltd
2830 S. 26th St.
La Crosse, WI 54601



FCC Statement

This equipment has been tested and found to comply with the limits for a Class B digital device, pursuant to part 15 of the FCC Rules. These limits are designed to provide reasonable protection against harmful interference in a residential installation. This equipment generates, uses and can radiate radio frequency energy and, if not installed and used in accordance with the instructions, may cause harmful interference to radio communications. However, there is no guarantee that interference will not occur in a particular installation. If this equipment does cause harmful interference to radio or television reception, which can be determined by turning the equipment off and on, the user is encouraged to try to correct the interference by one or more of the following measures:

- Reorient or relocate the receiving antenna.
- Increase the separation between the equipment and receiver.
- Connect the equipment into an outlet on a circuit different from that to which the receiver is connected.
- Consult the dealer or an experienced radio/TV technician for help.

This device must not be co-located or operating in conjunction with any other antenna or transmitter.

Operation is subject to the following two conditions:

- (1) This device may not cause harmful interference, and**
- (2) This device must accept any interference received, including interference that may cause undesired operation.**

Caution!

The manufacturer is not responsible for any radio or TV interference caused by unauthorized modifications to this equipment. Such modifications could void the user authority to operate the equipment.

All rights reserved. This manual may not be reproduced in any form, even in part, or duplicated or processed using electronic, mechanical or chemical process without the written permission of the publisher.

This booklet may contain errors or misprints. The information it contains is regularly checked and corrections are included in subsequent editions. We disclaim any responsibility for any technical error or printing error, or their consequences.

All trademarks and patents are recognized.