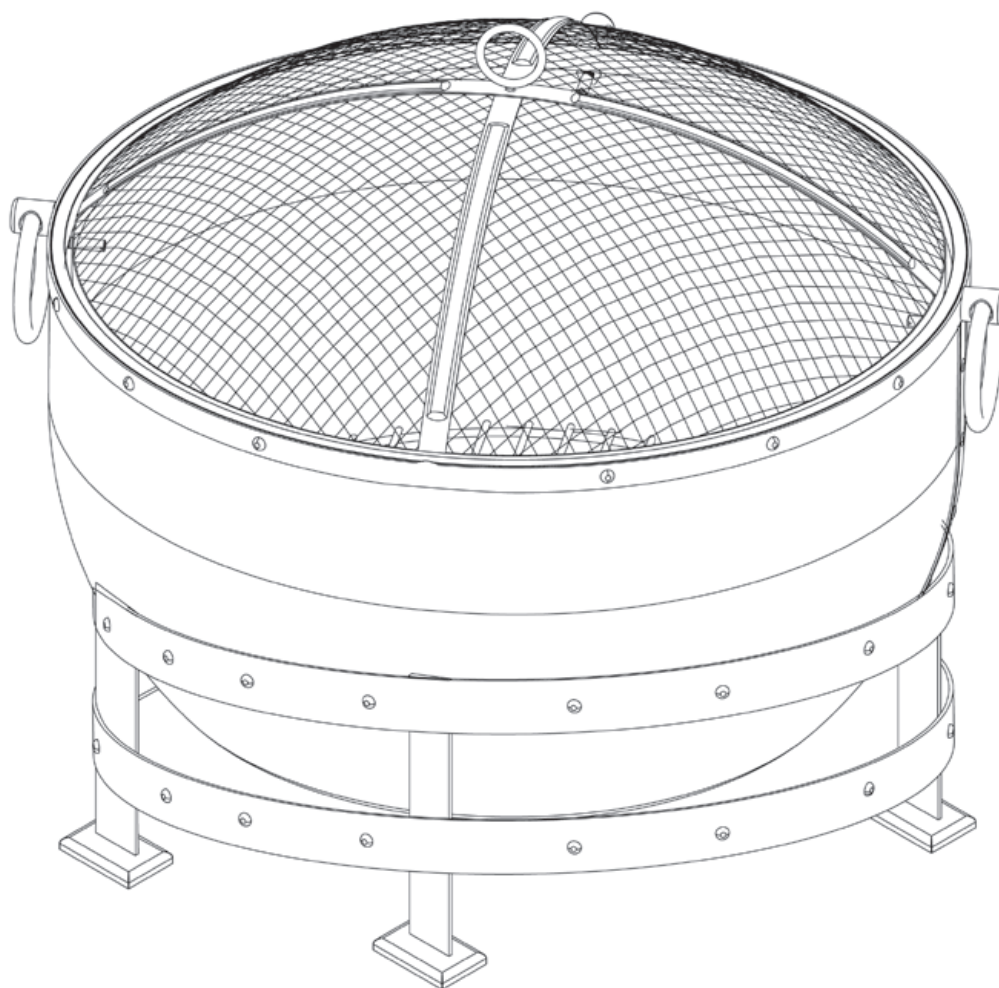




# LP Gas Outdoor Fireplace

Model No. WAD1579SP



**ALWAYS refer to owner's manual for all warnings, safety information, operating instructions, care instructions and troubleshooting.**

## Cleaning and Care

### ▲ CAUTION:

1. All cleaning and maintenance should be done when appliance is cool and with the fuel supply removed.
2. DO NOT clean any part of this appliance in a self-cleaning oven. The extreme heat will damage the finish.

---

### Inspecting

This outdoor fireplace should be inspected on a regular basis to ensure product safety and longer product life.

### ▲ CAUTION: Do NOT attempt to inspect this outdoor fireplace until the fire is COMPLETELY out and the fireplace has cooled.

1. Check handles to make sure they are secure.
2. Check components for any signs of damage or rust.
3. If damage to any component is detected, do NOT operate until repairs are completed.

---

### Cleaning

This outdoor fireplace should be cleaned on a regular basis to ensure product safety and longer product life.

*Note:* After repeated use, a slight discoloration of the finish may occur.

### ▲ CAUTION: Do NOT attempt to clean this outdoor fireplace until the fire is COMPLETELY out and the fireplace has cooled.

### ▲ CAUTION: Do NOT use oven cleaner or abrasive cleaners as they will damage this product.

### ▲ CAUTION: Do NOT clean any part of this outdoor fireplace in a self-cleaning oven as it may damage the finish.

1. Wipe exterior surfaces with a mild dishwashing detergent or baking soda.
2. For stubborn stains, use a citrus-based degreaser and a nylon scrubbing brush.
3. Rinse clean with water.
4. Remove built-up creosote from components with a chimney cleaning product.

Tip: Keeping the outdoor fireplace covered when cooled and not in use will help protect it from the elements.

---

### Storage

### ▲ CAUTION: Do NOT move or store this outdoor fireplace until the fire is COMPLETELY out and the fireplace has cooled.

1. Once the fire is out, embers are cold and outdoor fireplace is cool to the touch, remove and properly dispose of the ashes.
2. Store the outdoor fireplace assembled in a cool, dry location away from children and pets.