



18inch Built-In Dishwasher



Installation Instruction

SD-9252W
SD-9252SS

Quality ■ Innovation ■ Style

READ CAREFULLY AND KEEP THESE INSTRUCTIONS.

BEFORE INSTALLATION

Read these instructions completely and carefully.

IMPORTANT

Observe all governing codes and ordinances.

Note to Installer

Be sure to leave these instructions for the consumers and local inspectors use.

Note to Consumer

Keep these instructions with your Owners Manual for future reference.

Skill level

Installation of this dishwashers require basic mechanical and electrical skills. Improper installation can result in product failure which is not covered under the Product Warranty.

IMPORTANT

The dishwasher must be installed to allow for future removal from the enclosure if service is required.

Before You Begin--Examine the dishwasher carefully, if the product is damaged, you should immediately contact your dealer.

FOR YOUR SAFETY

Read carefully all WARNINGS and CAUTIONS in this instructions which will guarantee your safety.

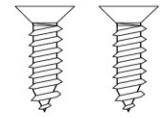
CONTENTS

Material You Will Need	1
Tools	1
Unit Dimensions	2
Prepare the Location	2
Corner Installation	2
Ways of Drain Connections.....	2
Prepare Electrical Wiring.....	3
Electrical Requirement.....	3
Prepare Water Line	4
Adjust Door Balance.....	4
Remove Toekick	4
Install Power Cord	5
Position Water Line and House Wiring.....	5
Insert Drain Hose through Cabinet and Connect Water Line	5
Slide Dishwasher into Cabinet	6
Level Dishwasher	6
Position Dishwasher, Secure to Cabinet	7
Connect Water Supply	7
Connect Drain Line	8
Pre-Test Check List	9
Dishwasher Wet Test	9
Replace Toekick	9
Literature	9

Installation Preparation

PARTS SUPPLIED:

- ❑ Two #8 Philips flat head wood screws, 5/8" long to secure dishwasher to underside of countertop or side of cabinetry. (taped to top or side of dishwasher)



2 Wood Screws

MATERIALS YOU WILL NEED:

- ❑ Ferrule, compression nut and 90° Elbow (3/8"NPT external thread on one end, opposite end sized to fit water supply)
- ❑ Hand shut off valve
- ❑ Thread seal tape
- ❑ UL listed wire nus (3)



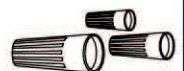
90° Elbow, Ferrule and Compression Nut



Hand Shut-Off Valve



Thread Seal Tape



Wire Nuts (3)

Materials For New Installations Only:

- ❑ Air gap for drain hose, if required
- ❑ Waste tee for house plumbing, if applicable
- ❑ Electrical cable or power cord, if applicable
- ❑ Screw type hose clamps
- ❑ Strain relief for electrical connection
- ❑ Water line 3/8" min. copper or 1/2" min plastic (plastic must be tested for temperature and pressure)
- ❑ Coupler for extending drain lin, if applicable



Waste Tee



Electrical Cable (or Power Cord, if applicable)



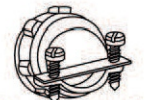
Hot Water line



Air Gap



Screw Type Hose Clamps



Strain Relief



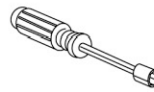
Coupler

TOOLS YOU WILL NEED:

- ❑ Phillips head screwdriver
- ❑ 5/16" and 1/4" nutdriver
- ❑ 6" adjustable wrench
- ❑ Level
- ❑ Carpenters square
- ❑ Measuring tape
- ❑ Safety glasses
- ❑ Flashlight
- ❑ Bucket to catch water when flushing the line
- ❑ 15/16" socket (optional for skid removal)
- ❑ Gloves



Phillips head screwdriver



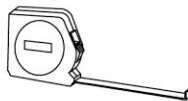
5/16" and 1/4" nutdriver



6" Adjustable wrench



Level



Measuring tape



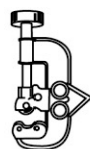
Safety glasses



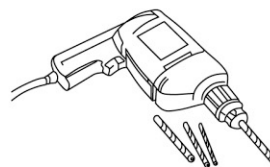
Flashlight



Carpenters square



Tubing cutter



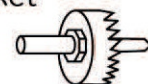
Drill and Bits



Bucket



Gloves



Hole saw set

For New Installations Only:

- ❑ Tubing cutter
- ❑ Drill and appropriate bits
- ❑ Hole saw set

Installation Preparation

UNIT DIMENSIONS

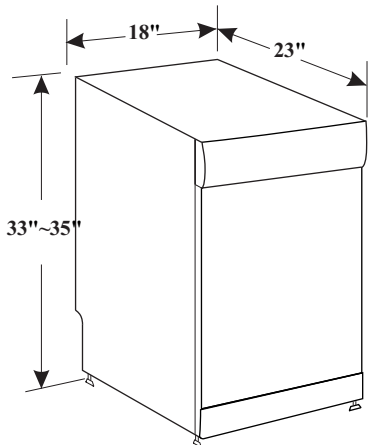


Figure 1

DEPTH 23" (580mm)
 WIDTH 18" (450mm)
 HEIGHT 33"~35"
 (840~890mm)

PREPARE THE LOCATION

The dishwasher should be installed near a sink for water supply connection and proper drainage.

A build-in dishwasher must be fully enclosed on the top, sides and back, and must not support any part of the enclosure.

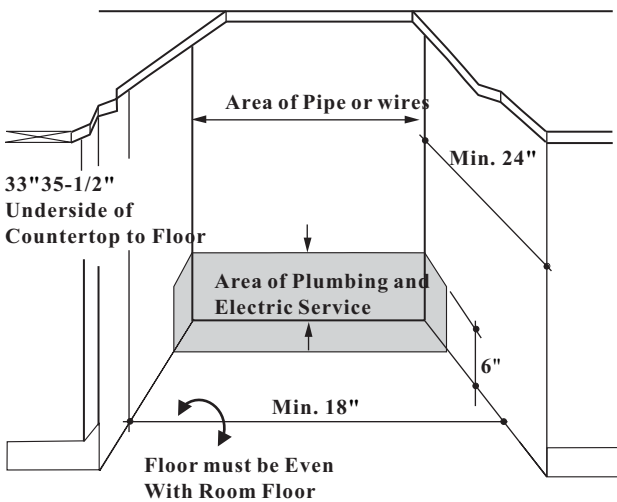
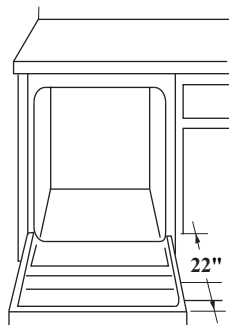


Figure 2

DEPTH 24" (610mm)
 WIDTH 18" (460mm)
 HEIGHT 33"~35-1/2" (840~900mm)

CORNER INSTALLATION

When installed into a corner, allow 2" minimum clearance between dishwasher and adjacent cabinet, wall or other appliances. Allow 22" clearance from the front of the dishwasher for door opening.



Minimum Clearance 2"

Figure 3

DRAIN CONNECTIONS

The type of drain installation depends on the answers to the following questions:

- Is air gap required by local codes and ordinances?
- Will waste tee or disposer connection be less than 18" above the floor?

If both answers are YES, use method A or B. Otherwise choose C or D.

A) air gap with waste tee

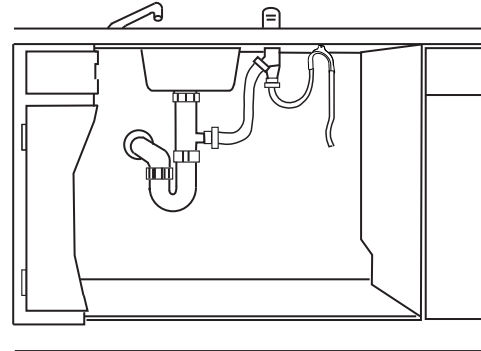


Figure 4

B) air gap with disposer

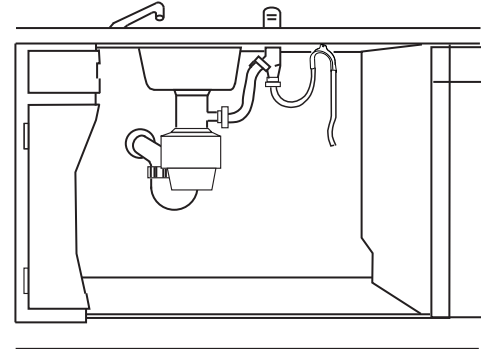


Figure 5

C) waste tee

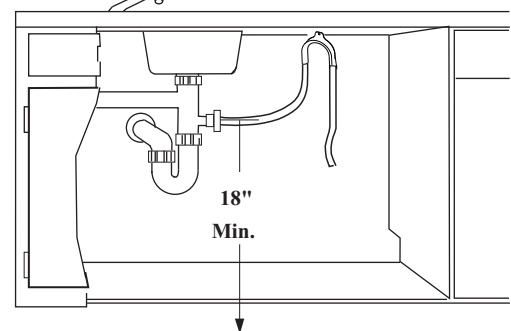


Figure 6

D) disposer

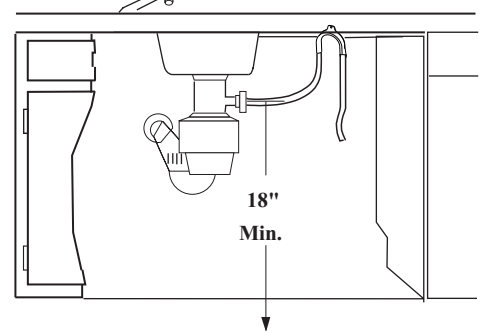


Figure 7

Installation Preparation

PREPARE ELECTRICAL WIRING

⚠ WARNING!

FOR PERSONAL SAFETY:

Remove house fuse or open circuit breaker before beginning installation. Do not use an extension cord or adapter plug with this appliance.

GROUNDING INSTRUCTIONS--Power Cord Models

This appliance must be grounded. In the event of a malfunction or breakdown, grounding will reduce the risk of electric shock by providing a path of least resistance for electric current. This appliance is equipped with a cord having an equipment-grounding conductor and a grounding plug. The plug must be plugged into an appropriate outlet that is installed in an accordance with all local codes and ordinances.

⚠ WARNING!

Improper connection of the equipment-grounding conductor can result in a risk of electric shock. Check with a qualified electrician or service representative if you are in doubt whether the appliance is properly grounded. Do not modify the plug provided with the appliance; If it will not fit the outlet, have a proper outlet installed by a qualified electrician.

GROUNDING INSTRUCTIONS--Cable Direct

This appliance must be connected to a grounded metal, permanent wiring system, or an equipment-grounding conductor must be run with the circuit conductors and connected to the equipment-grounding terminal or lead on appliance.

ELECTRICAL REQUIREMENT

This dishwasher is designed for operation on an adequately wired individual 120VAC, 60HZ, and connected to an individual, properly grounded branch circuit, protected by a 15 or 20 amp circuit breaker or time-delay fuse.

If the electric supply does not meet the above specifications, contact a licensed electrician before proceeding.

Your dishwasher circuit should not be used for any other appliance while the dishwasher is in operation. The dishwasher requires the full capacity of the circuit.

If the wall socket used for the dishwasher is controlled by a switch, turn off the switch before installation.

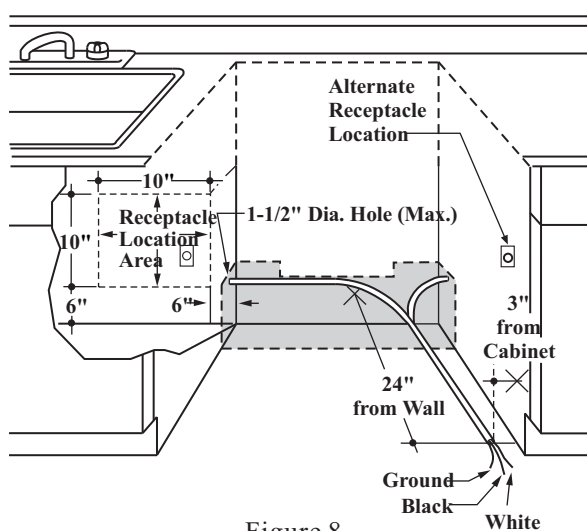


Figure 8

- 1 The power-supply socket for the appliance shall be installed in a cabinet or on a wall adjacent to the undercounter space in which the appliance is to be installed.
- 2 There shall be an opening through the partition between the compartments specified in 1 that is large enough for the attachment plug to pass through. The longest dimension of the opening shall not be more than 38mm.
- 3 The edges of the opening specified in 2 shall, if the partition is wood, be smooth and rounded, or, if the partition is metal, be covered with an edge protector provided for this purpose by the manufacturer; and
- 4 Care shall be exercised, when the appliance is installed or removed, to reduce the likelihood of damage to the power-supply cord.

ELECTRICAL CONNECTION

Electrical connection is on the right front of dishwasher.

For cable direct connections the cable must be routed as shown. Cable must extend a minimum of 24" from the rear wall. For power cord connections, install a 3-prong grounding type receptacle in the sink cabinet rear wall, 6" min. and 16" max. From the opening, 6" to 16" above the floor.

Installation Instructions

PREPARE WATER LINE

The line may enter from either side, rear or floor within the shaded area.

The line may pass through the same hole as the electrical cable and drain hose. Or cut an additional hole of 1-1/2" max.

Note: Power cords with plug must pass through a separate hole.

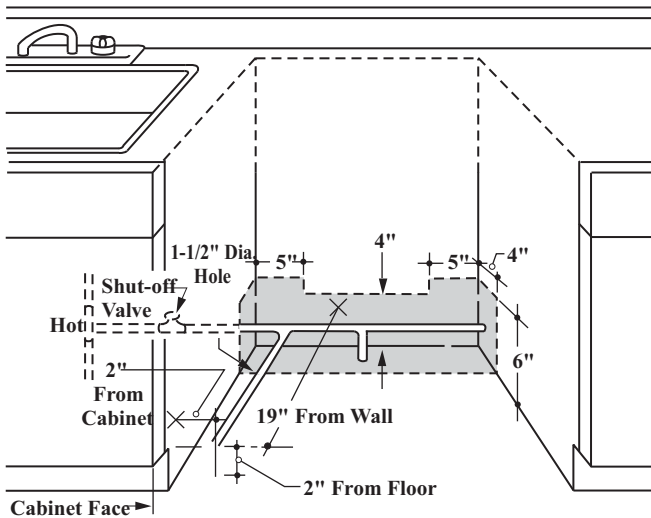


Figure 9

WATER LINE CONNECTION

Note to Consumer

This dishwasher can use both hot or cold water.

- * Turn off the water supply.
- * Install a hand shut-off valve in an accessible location, such as under the sink. (Optional but strongly recommended.)
- * Water connection is on the left side of the dishwasher. Install the hot water inlet line, using no less than 3/8" O.D. Copper tubing. Route the line as shown and extend forward at least 19" from rear wall.
- * Flush water line to clean out debris.
- * The water pressure must be 20-120 PSI.

ADJUST DOOR BALANCE

To check door balance, hold the top of the dishwasher firmly. Open the door slowly, if the door drops when released, increase spring tension. If the door closes when released, decrease tension.

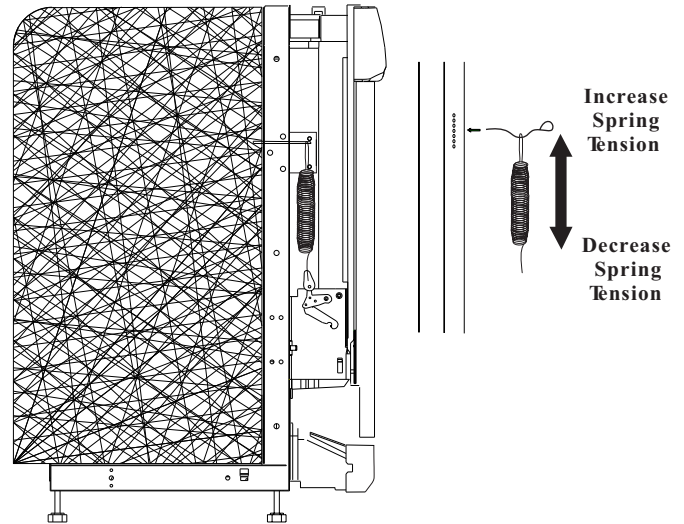


Figure 10

ADJUSTMENT

If door does not open easily or falls too quickly, you should adjust the tension of door spring:
Pull the spring adjustment pin out of the holes, insert it in the next highest or lowest hole and test again. Continue moving the spring pin until door is balanced.

REMOVE TOEKICK

Remove the two screws to remove toekick.

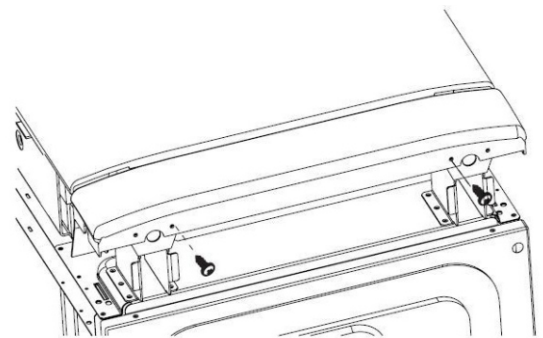


Figure 11

Installation Instructions

INSTALL POWER CORD

Skip this step if dishwasher will be direct wired or has a factory installed power cord.

The power cord and connections must comply with the National Electrical Code, Section 422 and/or local codes and ordinances.

Be sure power is turned off at the source.

1. Remove junction box cover.
2. Secure house wiring to the back of the junction box with a strain relief.
3. Connect incoming power cord white (or ribbed) to dishwasher white, black (or smooth) to black and Ground to green wire. Use UL listed wire nuts of appropriate size.
4. Replace junction box cover. Check to be sure that wires are not pinched under the cover.

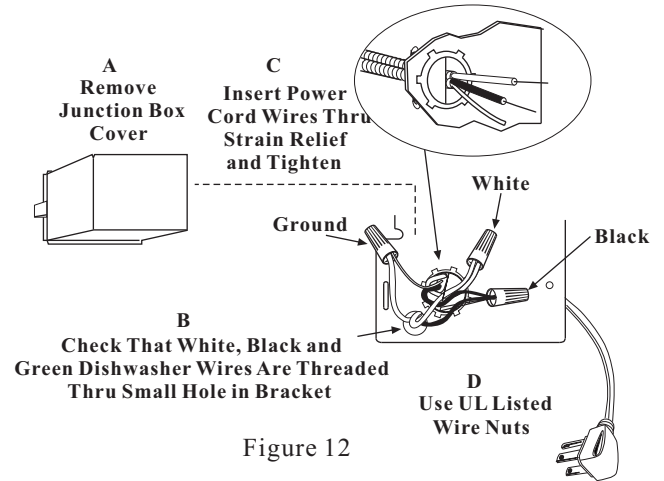


Figure 12

⚠ WARNING!

If house wiring is not 2-wire with ground, a ground must be provided by the installer. When house wiring is aluminum, be sure to use UL Listed anti-oxidant compound and aluminum -to-copper Connectors

POSITION WATER LINE AND HOUSE WIRING

Position water supply line and house wiring on the floor of the opening to avoid interference with base of dishwasher and components under dishwasher.

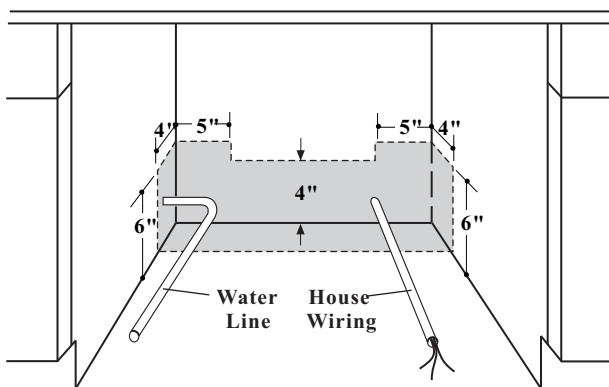


Figure 13

INSERT DRAIN HOSE AND CONNECT WATER LINE

Upright the dishwasher and position in the front of opening. Insert drain hose into cabinet wall hole. If a power cord is used, guide the end through a separate hole.

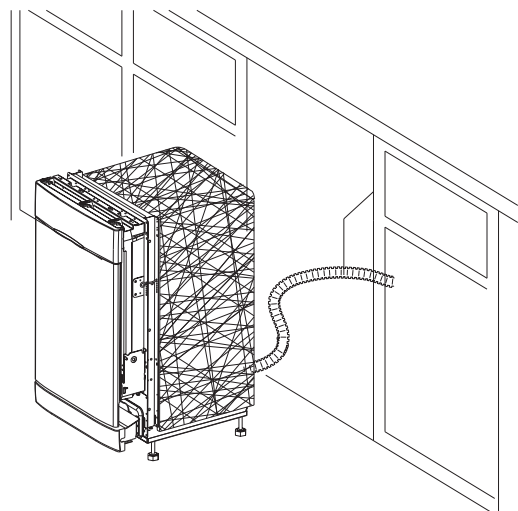


Figure 14

Connect the water line of dishwasher into user water line.

Installation Instructions

SLIDE DISHWASHER INTO CABINET

DO NOT PUSH AGAINST FRONT PANEL WITH KNEES. DAMAGE WILL OCCUR.

Slide dishwasher into the opening a few inches at a time.

As you proceed, pull the drain hose through the opening under the sink. Stop pushing when the dishwasher is a few inches forward of adjacent cabinetry.

Make sure drain hose is not kinked under the dishwasher and there is no interference with the water line and wiring or any other component.

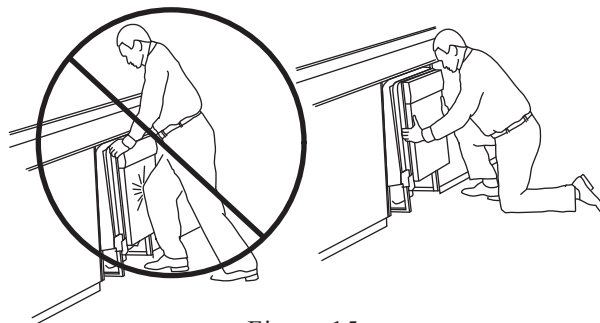


Figure 15

LEVEL DISHWASHER

IMPORTANT– Dishwasher must be level for proper dish rack operation and wash performance.

- * Place level on door and rack track inside the tub as shown to check that the dishwasher is level.
- * Level the dishwasher by adjusting the four leveling legs.
- * If adjustment to the right rear leveling leg is required, loosen junction box bracket screw and rotate bracket clockwise.

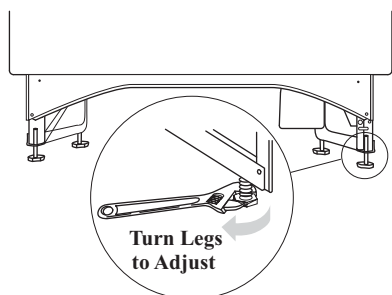


Figure 16

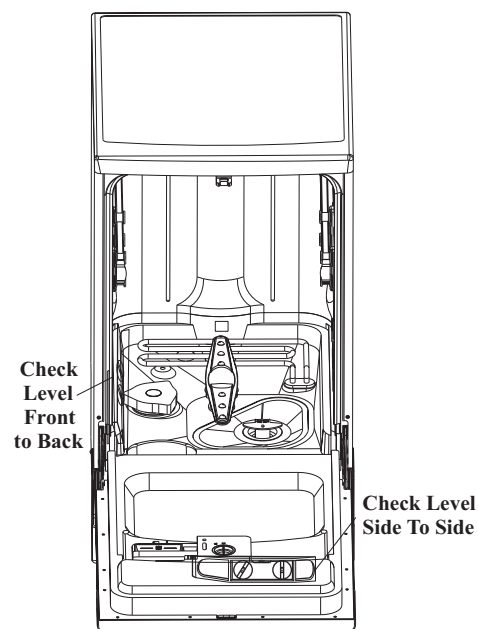


Figure 17

Installation Instructions

POSITION DISHWASHER, SECURE TO CABINET

The dishwasher must be secured to the countertop or the cabinet sides. When countertops are made of wood use Method 1. When countertops are granite or other materials that will not accept screws, use Method 2 to secure at the sides.

Method 1: Secure dishwasher to wood countertop
Position dishwasher so that the door lines up with the front face of adjacent cabinets.
Fasten the dishwasher to the underside of the countertop with the 2 Phillips special head screws provided.

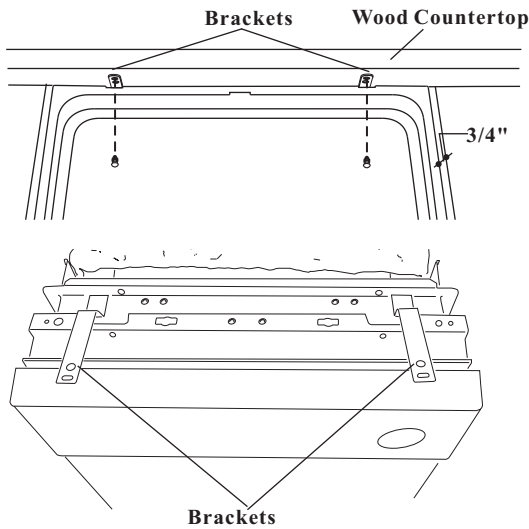


Figure 18

The dishwasher must be secured to the countertop by the two brackets on top of the dishwasher.

Method 2: Secure dishwasher with side-mounting brackets
Position dishwasher so that the door lines up with the front face of adjacent cabinets.
Remove plug buttons (one on each side)
Install screws through the dishwasher side mount bracket and into the adjacent cabinet on each side. Reinstall plug buttons.

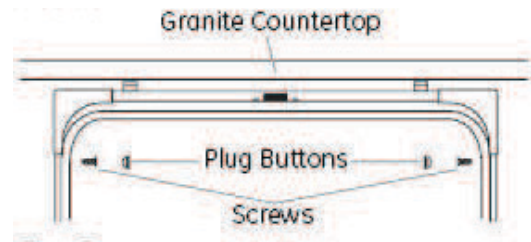


Figure 19

When step is complete (either method), close dishwasher door and verify that gap between countertop and top of dishwasher door is at least 1/2".

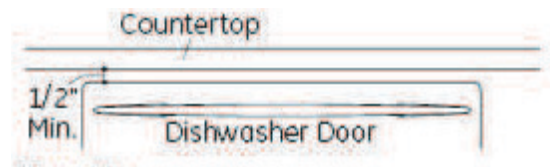


Figure 20

IMPORTANT:

Check to be sure the dishwasher is centered in the opening and there is no interference with adjacent cabinets when opening or closing the door

Drive screws straight and flush. Protruding screw heads will scratch the top or sides of the control panel and can interfere with door closing.

CONNECT WATER SUPPLY

IMPORTANT– Check to be sure that dishwasher does not rub or contact the fill hose or water supply line. Test by opening and closing the door. Re-route the lines if a rubbing noise or interference occurs.

- * Wrap 90° elbow with tread seal tape.
- * Wrap 90° elbow onto the water valve.
- * Do not over tighten the 90° elbow, water valve bracket could bend or water valve fitting could break.
- * Position the end of the elbow to face the left.
- * Connect water supply line to 90° elbow.

If water supply line could not be connected to 90° elbow directly, slide ferrule against elbow and secure with compression nut.

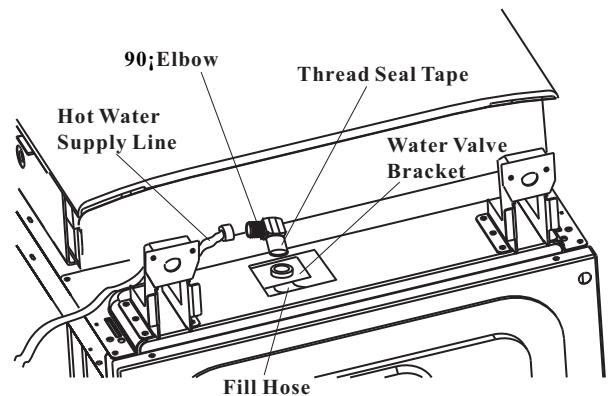


Figure 21

Installation Instructions

CONNECT DRAIN LINE

FOLLOW ALL LOCAL CODES AND ORDINANCES.

If a longer drain hose is required, add up to 42" of length for a total of 10 ft. to the factory installed hose. Use 5/8" or 7/8" inside diameter hose and a coupler to connect the two hose ends. Secure the connection with hose clamps.

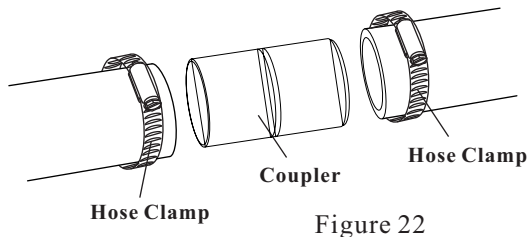


Figure 22

* Secure the drain hose to the air gap, waste tee or disposer with clamps.

NOTE: TOTAL DRAIN HOSE LENGTH MUST NOT EXCEED 10 FEET FOR PROPER DRAIN OPERATION.

* Connect drain line to air gap, waste tee or disposer using either previously determined method.

Method 1 --Air gap with waste tee of disposer

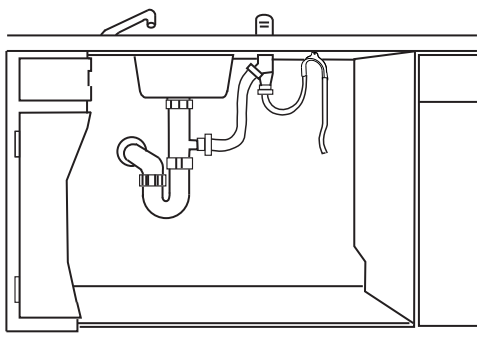


Figure 23--air gap with waste tee

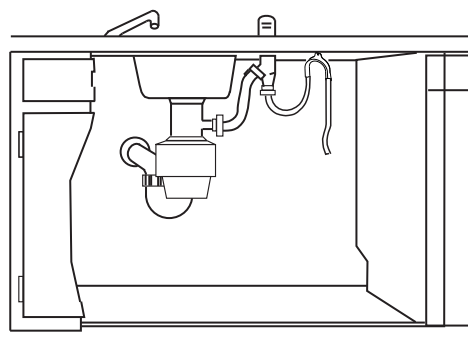


Figure 24--air gap with disposer

Method 2 --Waste tee of disposer

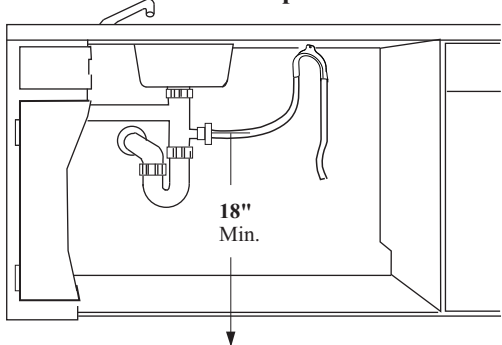


Figure 25--waste tee

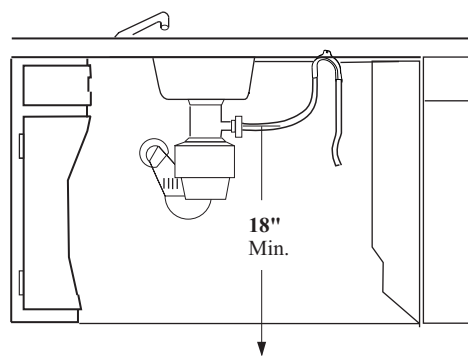


Figure 26--disposer

IMPORTANT

If drain plug of disposer or waste tee has not been removed, the dishwasher will not drain.

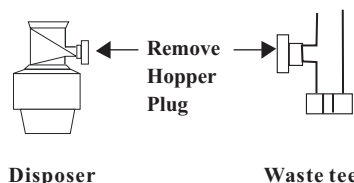


Figure 27

Installation Instructions

PRE-TEST CHECK LIST

Review this list after installation to avoid charges for a service call that is not covered by your warranty.

- Check to be sure power is OFF.
- Open door and remove all foam and paper packaging.
- Locate the owner's manual in the literature package.
- Read the owner's manual for operating instruction.
- Check door opening and closing. If door does not open close freely or tends to fall, check spring adjustment.
- Check to be sure that wiring is secure under the dishwasher, not pinched or in contact with door springs or other components.
- Check door alignment with tub. If door hits the tub, level the dishwasher.
- Pull lower rack out, about half way. Check to be sure it does not roll back or forward on the door. If the rack moves, adjust leveling legs.
- Check door alignment with cabinet. If door hits cabinet, reposition dishwasher.
- Check that door spring does not contact water line, fill hose, wiring or other components.
- Verify water supply and drain lines are not kinked or in contact with other components. Contact with motor or dishwasher frame could cause noise.
- Add 1.5 quarts of water to the bottom of the dishwasher to lubricate the pump seal.
- Turn on water supply. Check for leaks. Tighten connections if needed.

DISHWASHER WET TEST

- Turn on power supply(or plug power cord into outlet, if equipped).
- Start with normal wash.
- Check to be sure that water enters the dishwasher. If water does not enter the dishwasher, check to be sure that water and power supply are turned on.
- Check for leaks under the dishwasher. If leak is found, turn power supply off, then tighten connections. Turn on power again after leak is corrected
- Check for leaks around the door. A leak around the door could be caused by door rubbing or hitting against adjacent cabinetry. Reposition the dishwasher if necessary.
- Check drain lines when draining. If leaks are found, turn power off and correct as necessary.
- After the unit drains, open the door and make sure most of the water has drained. If not, check that disposer plug has been removed and/or air gap is not plugged.
- Let dishwasher turn through another fill and drain cycle. Check again for leaks and correct as required.

REPLACE TOEKICK

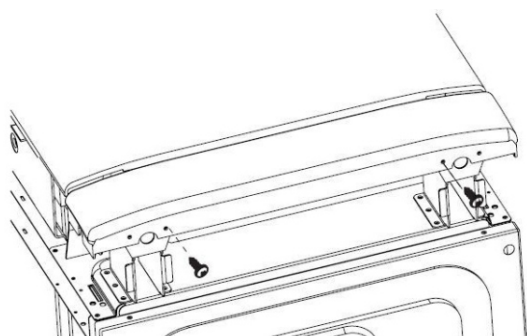


Figure 28

Align toe kick along the bottom edge - make sure it is against the floor. Replace the two screws.

LITERATURE

Be sure to leave complete literature package and installation instructions with the consumer.