

Model XCV05Z Parts List

A = Standard Equipment

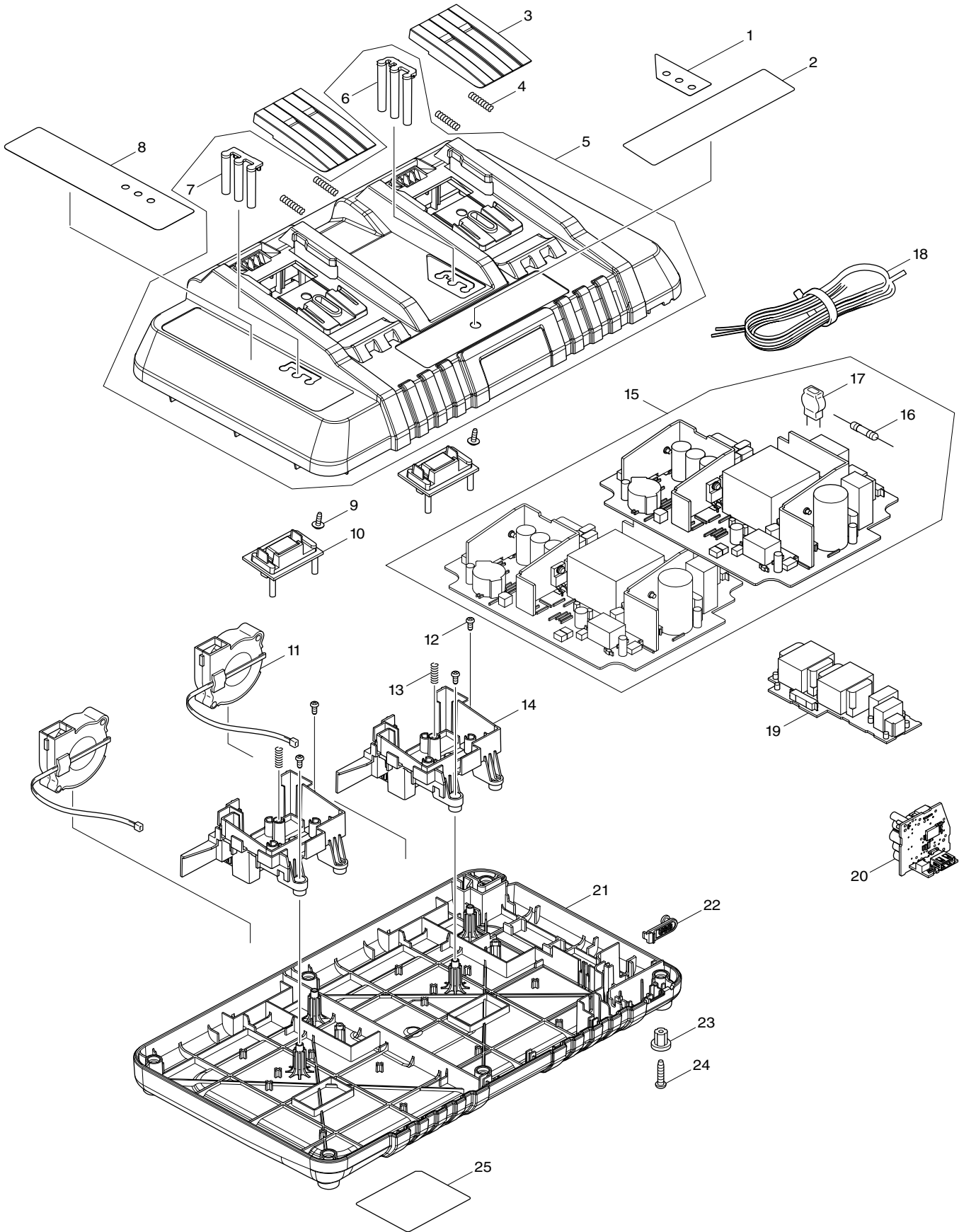
O = Circuit Diagram

Item#	Part#	Description	Q'ty Unit
001	143788-0	UPPER HOUSING COMPLETE	1
	C10 263005-3	RUBBER PIN 6	4 PC.
	C20 424834-1	BAND DAMPER A	1
002	123636-9	FILTER ASSEMBLY	1
	C10 153820-2	VALVE COMPLETE	1 PC.
003	135771-1	INLET ASS'Y	1
	D10	INC. 41	
004	852D41-4	XCV05 NAME PLATE	1
005	266326-2	TAPPING SCREW 4X18	8 PC.
006	144025-5	LOWER HOUSING COMPLETE	1
	C10 809T63-1	CAUTION LABEL	1
	C20 424835-9	BAND DAMPER B	1
007	266130-9	TAPPING SCREW BIND PT 3X16	2 PC.
008	183D91-1	SWITCH CASE SET	1
	D10	INC. 10	
009	620525-4	SUB CONTROLLER	1
010	183D91-1	SWITCH CASE SET	1
	D10	INC. 8	
011	266326-2	TAPPING SCREW 4X18	2 PC.
012	687123-7	STRAIN RELIEF	1 PC.
013	699077-6	POWER SUPPLY CORD UNIT	1 PC.
014	421380-5	SUPPORT RING	1 PC.
015	165386-0	FAN COVER	1 PC.
016	931303-0	HEX. NUT M6	1 PC.
017	322407-3	WASHER 6	1 PC.
018	241851-4	FAN 94	1 PC.
019	313062-2	FLANGE	1 PC.
020	266326-2	TAPPING SCREW 4X18	3 PC.
021	456736-3	FAN BASE	1
022	619395-6	ROTOR	1
023	629189-1	STATOR	1
024	687464-1	SUPPORT	1 PC.
025	620526-2	CONTROLLER B	1
026	266786-8	+ PAN HEAD TAPPING SCREW 2X10	4 PC.
027	183D13-1	MOTOR HOUSING SET	1
	D10	INC. 28	
028	183D13-1	MOTOR HOUSING SET	1
	D10	INC. 27	
029	266326-2	TAPPING SCREW 4X18	4 PC.
030	424837-5	SUPPORT A	1
031	424838-3	REAR BLOCK FILTER	2
032	620524-6	CONTROLLER A	1
	D10	INC. 33	
033	644808-8	TERMINAL	2 PC.
034	266326-2	TAPPING SCREW 4X18	2 PC.
035	687123-7	STRAIN RELIEF	1 PC.
036	123586-8	LATCH ASSEMBLY	1
037	424836-7	SEAL	1
038	456739-7	DUST BOX COVER	1

039	265008-3	+ FLAT HEAD SCREW M5	6 PC.
040	161479-1	HARNESS	1
041	213655-4	O RING 56	1 PC.
A01	143787-2	HOSE COMPLETE 28-1.0	1
A02	166116-2	HOSE BAND	1 PC.
A03	161471-7	FILTER BAG	1
A04	197900-4	NOZZLE SET	1
A05	123486-2	NOZZLE ASSEMBLY	1
A06	123584-2	TELESCOPIC PIPE ASSEMBLY	1
A07	123677-5	BENT PIPE ASSEMBLY	1



DC18RD



Products with multiple versions are listed in subsiding order with the newest version on top not indented.

Section	Fig. No.	Part No.	Description	DC18RD	Tech Bulletin	Notes
1	1	804Y51-3	INDICATION LABEL	1		
1	2	804Y52-1	MAKITA LOGO LABEL	1		
1	3	455546-5	TERMINAL COVER	2		
1	4	231474-6	COMPRESSION SPRING 4	4		
1	5	142845-1	CHARGER CASE COMPLETE	1		INC 6,7
1	6	455402-9	LENS B	1		
1	7	455401-1	LENS A	1		
1	8	804Y47-4	CHARGING CONDITION LABEL	1		
1	9	266278-7	TAPPING SCREW FLANGE BT3X1	2		
1	10	632E11-3	TERMINAL UNIT	2		
1	11	638499-5	SCIROCCO FAN	2		
1	12	266764-8	TAPPING SCREW 3X8	4		
1	13	233194-8	COMPRESSION SPRING 4	2		
1	14	455399-2	TERMINAL BASE	2		
1	15	620203-6	CHARGING CIRCUIT	2		INC 16,17
1	16	652802-6	FUSE	1		
1	17	647321-5	VARISTOR	1		
1	18	667852-8	VINYL CORD	1		
1	19	620325-2	FILTER CIRCUIT	1		
1	20	620412-7	USB CIRCUIT	1		
1	21	455398-4	CHARGER CASE COVER	1		
1	22	455403-7	USB COVER	1		
1	23	286255-3	CAP 13	4		
1	24	266426-8	TAPPING SCREW 4X20	6		
1	25	850E35-9	DC18RD NAME PLATE	1		
1	E01	804Y49-0	CAUTION LABEL	1		