

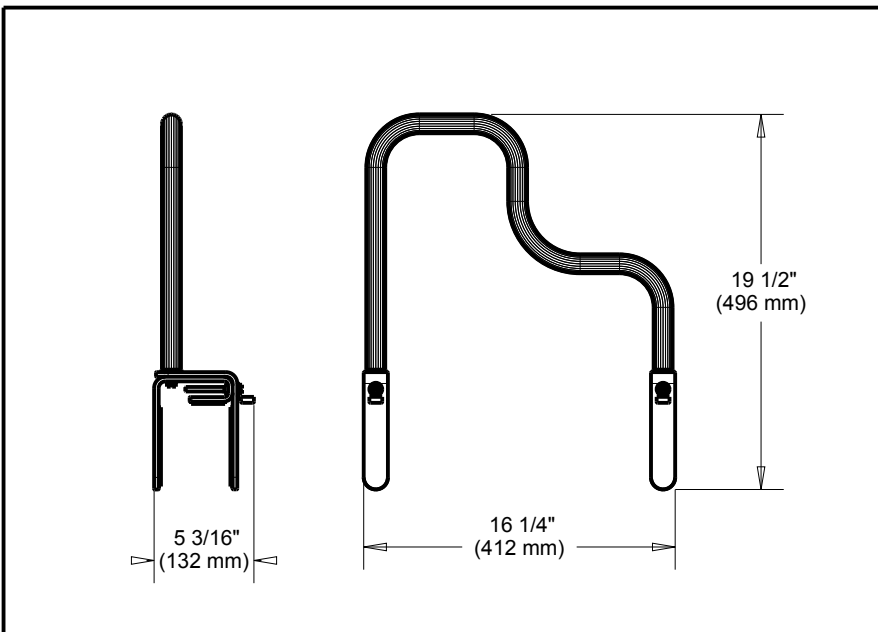
**DELTA**<sup>®</sup>

**ACCESSORIES**

- Bath Safety Residential
- Meets ADA Standards
- 1" Multi-Grip Tub Bar

Submitted Model No.: \_\_\_\_\_

Specific Features: \_\_\_\_\_



**STANDARD SPECIFICATIONS:**

**WARRANTY**

- Lifetime Faucet and Finish Limited Warranty to the original consumer purchaser to be free from defects in material and workmanship.
- 5 Year Limited Warranty for usage in all industrial, commercial and business applications.

**DELTA**<sup>®</sup>  
FAUCET COMPANY

55 E. 111th Street, Indianapolis, Indiana 46280  
350 South Edgeware Road, St. Thomas, ON N5P 4L1  
© 2015 Masco Corporation of Indiana