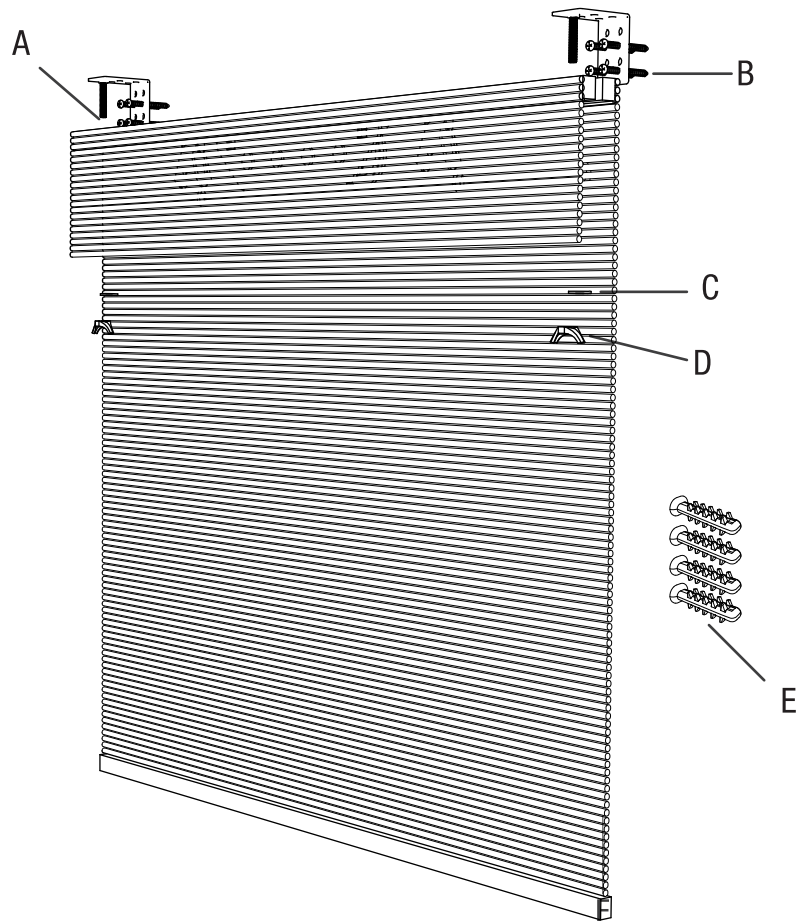


CORDLESS ROMAN SHADE INSTALLATION INSTRUCTIONS

Dear customer:

The product you have purchased has been engineered and manufactured to the highest standards of quality and performance.

Please read the instruction sheet carefully before installing your new shade.



Hardware Contents:

A	B	C	D	E
(2) Mounting Bracket	(8) Screws	(2) Washers	(2) Wing Nuts	(8) Anchors

NOTE:
Radiance Device can be installed on the Top, Right, or Left Side of the Window

Tools Needed:



Step 1

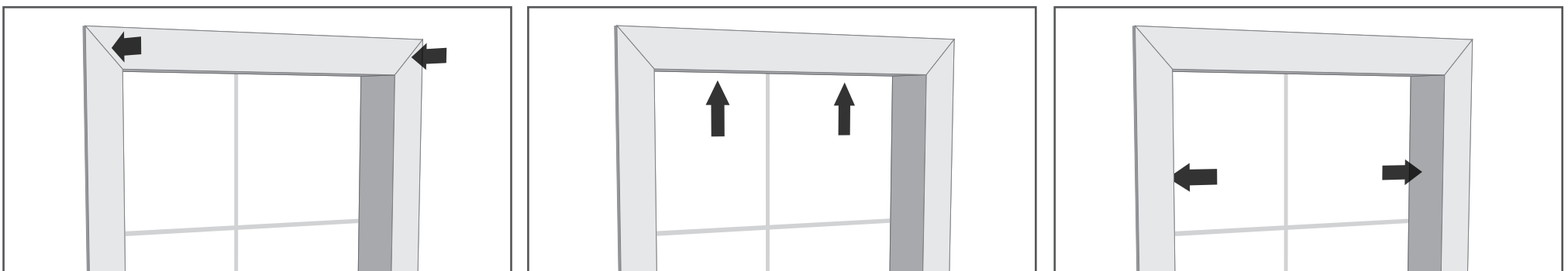
Connecting the Headrail to the Mounting Bracket (A) with Wing Nuts (D).

(If desired handle position is on the left please see image below)

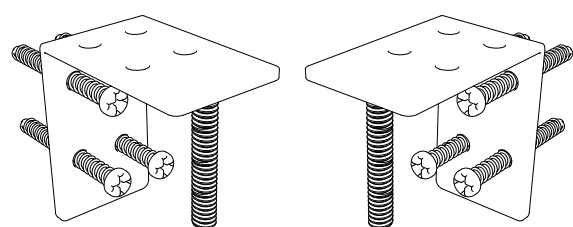


Step 2

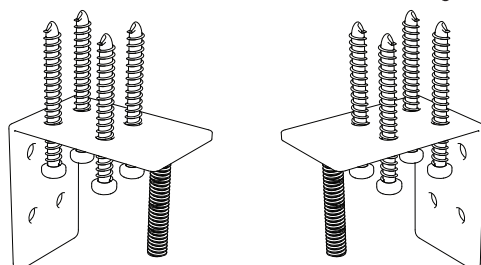
Measure Bracket Placement to desired mounting location, mark holes for each bracket with a pencil



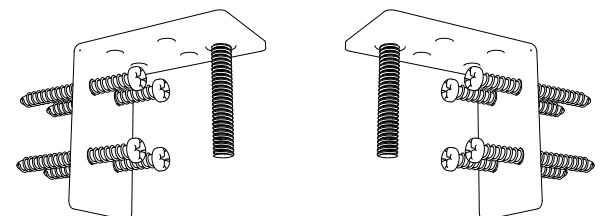
a). Outside Mounting to the face or the outside of the window frame.



b). Top Mounting overhead to a surface such as the top inside of the window frame or the ceiling.



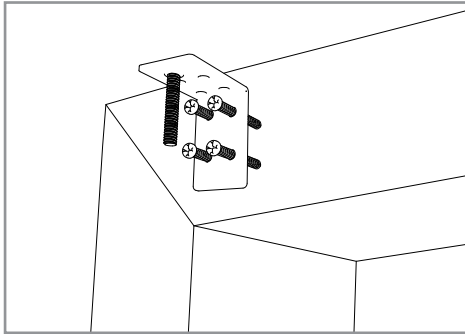
c). Inside Mounting to the inside or between the sides of the window.



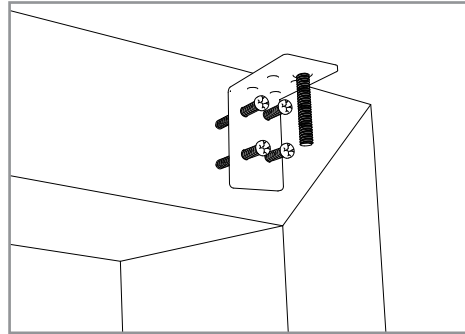
CORDLESS ROMAN SHADE INSTALLATION INSTRUCTIONS

Step 3

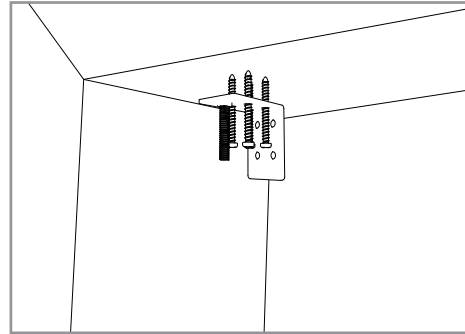
Installing Brackets. (Use anchors only if you are installing into drywall)



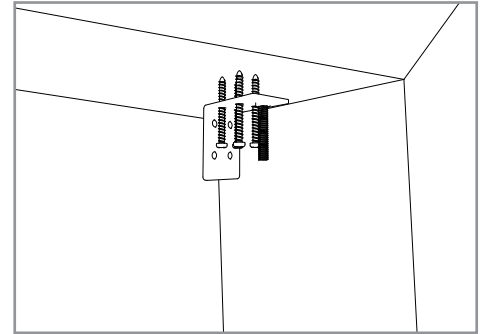
Outside Mounting Bracket (A).



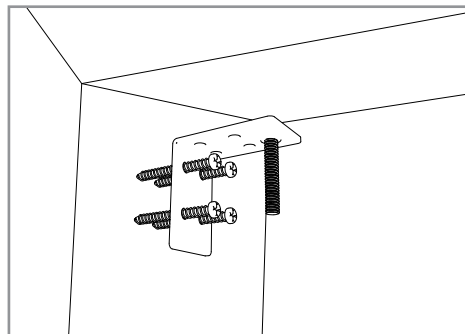
Outside Mounting Bracket (B).



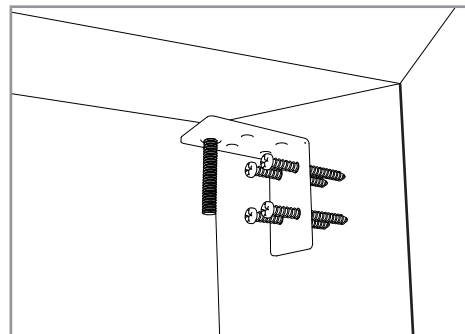
Top Mounting Bracket (A).



Top Mounting Bracket (B).



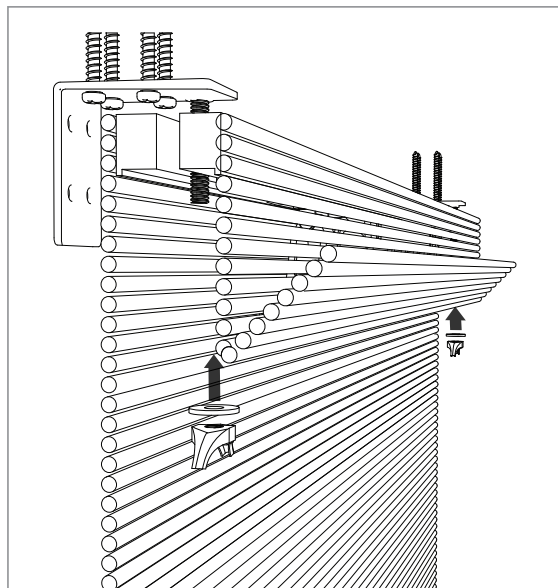
Inside Mounting Bracket (A).



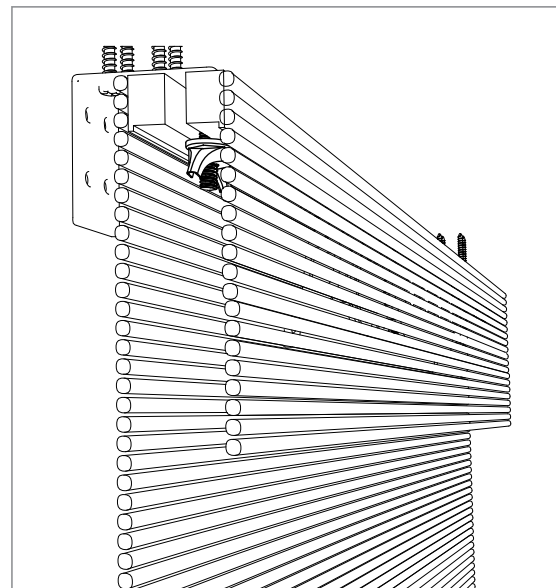
Inside Mounting Bracket (B).

Step 4

Installing Shades (With Mounting Brackets Installed)



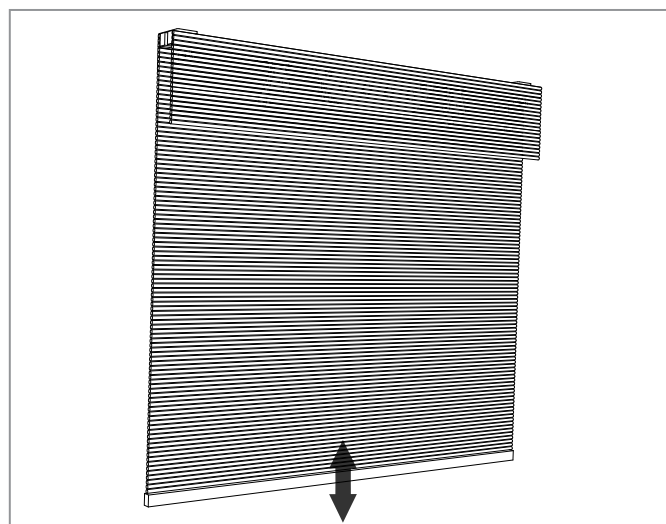
Line the Shades with the Mounting Bracket, and have Washers and Wing Nuts Ready.



Secure the Shades with the Washers, and Wing Nuts to Finish the Installation.

Step 5

Lowering and Raising Shade



Pull Shade (From Center of the Bottom Rail to Raise and Lower).