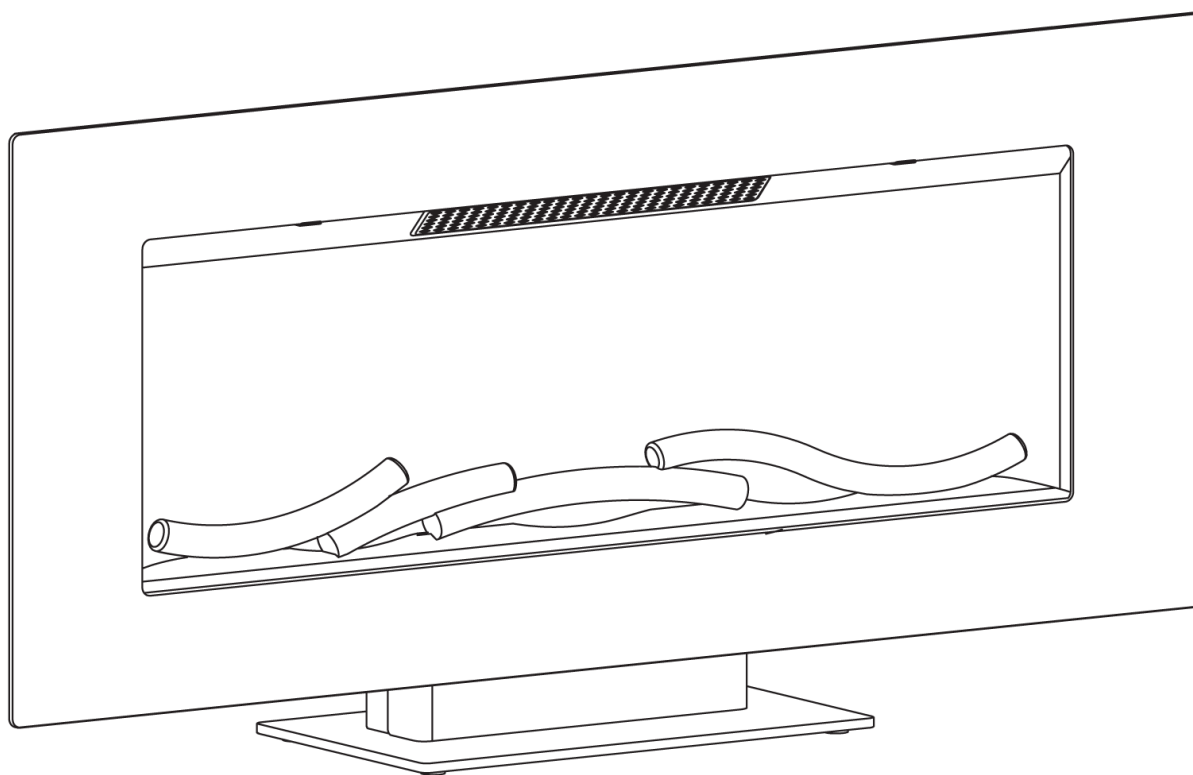


# **USE AND CARE GUIDE**

## **ELECTRIC FIREPLACE**



Questions, problems, missing parts? Before returning to the store,  
call Home Decorators Collection Customer Service  
8 a.m. - 6 p.m., EST, Monday - Friday

**1-800-986-3460**

**[HOMEDEPOT.COM/HOMEDECORATORS](http://HOMEDEPOT.COM/HOMEDECORATORS)**

---

**THANK YOU**

*We appreciate the trust and confidence you have placed in Home Decorators through the purchase of this electric fireplace. We strive to continually create quality products designed to enhance your home. Visit us online to see our full line of products available for your home improvement needs. Thank you for choosing Home Decorators Collection!*

# Table of Contents

<b>Safety Information</b> .....	<b>3</b>	<b>Installation Options</b> .....	<b>8</b>
<b>Warranty</b> .....	<b>4</b>	Wall Hanging .....	<b>9</b>
<b>Pre-Operation</b> .....	<b>5</b>	Pedestal Base .....	<b>12</b>
<b>Pre-Assembly</b> .....	<b>6</b>	Built In Construction .....	<b>14</b>
Hardware Included .....	<b>6</b>	Fuel Bed Setup Instructions.....	<b>18</b>
Product Specifications.....	<b>6</b>	<b>Operation</b> .....	<b>20</b>
Tools Required.....	<b>6</b>	<b>FCC/IC Information</b> .....	<b>23</b>
Package Contents.....	<b>7</b>	<b>Care &amp; Cleaning</b> .....	<b>23</b>
		<b>Troubleshooting</b> .....	<b>24</b>
		<b>Replacement Parts</b> .....	<b>25</b>

# Safety Information

Please read and understand this entire manual before attempting to assemble, operate or install the product. If you have any questions regarding the product, please call customer service at 1-800-986-3460, 8 a.m.-6 p.m., EST, Monday-Friday.

When using electrical appliances, always follow basic precautions to reduce the risk of fire, electrical shock, and injury to persons, including the following:

1. Read all instructions before using this appliance.
2. If possible, always unplug this appliance when not in use.
3. Only a qualified service person should repair this product.
4. Do not use outdoors.
5. Do not cover the cord under carpeting. Do not cover with throw rugs, runners or the like. Arrange the cord away from traffic areas and where it will not be tripped over.
6. To disconnect this appliance, turn the controls to the "off" position, and then remove the plug from the outlet.
7. This heater is for use on 120 volts. This product is equipped with a polarized plug (one blade is wider than the other blade). To reduce the risk of electrical shock, this plug will fit into a polarized outlet only one way. This is a safety feature. If you are unable to insert the plug into the electrical outlet, try reversing the plug. If the plug still does not fit, contact a qualified electrician.
8. This appliance, when installed, must be electrically grounded in accordance with local codes or, in the absence of local codes, with the current CSA C22.2 Canadian Electrical Code. For U.S.A. installations, follow local codes and the National Electrical Code, ANSI/NFPA NO.70.
9. There is a thermostat limiter inside the heater. When inner temperature overheating or abnormal heating occurs, the thermostat protective device will cut off the power supply to avoid damage to the fireplace or risk of fire.



**DANGER:** In order to avoid overheating, do not cover the heater.



**WARNING:** Do not use surge protectors or extension cords with this product.



**WARNING:** If the supply cord is damaged, it must be replaced by the manufacturer, its service agent or similarly qualified persons in order to avoid a hazard.



**WARNING:** This appliance is hot when in use. To avoid burns, do not touch hot surfaces with bare skin. If provided, use handles when moving this appliance. Keep combustible materials, such as furniture, pillows, bedding, papers, clothes and curtains at least 3 ft. (0.9 m) from the front of this appliance.



**WARNING:** Under no circumstances should this fireplace be modified. Parts that must be removed for servicing must be replaced prior to operating this fireplace again.



**WARNING:** This appliance is not a toy. Supervise children playing near it.



**WARNING:** Use extreme caution when operating heater near children and the disabled.



**WARNING:** This heater is not intended for use in bathrooms, laundry areas and similar indoor locations. Never locate this appliance where it may fall into a bathtub or other water container.



**WARNING:** Do not insert or allow foreign objects to enter any ventilation or exhaust opening as this may cause an electric shock or fire, or damage the appliance.



**WARNING:** To prevent a possible fire, do not block air intakes or exhaust in any manner. Do not use on soft surfaces, like a bed, where the opening may become blocked.



**WARNING:** Use this appliance only as described in the manual. Any other use not recommended by the manufacturer may cause fire, electric shock or injury to persons.



**CAUTION:** Never leave the heater operating unattended. Extreme caution is necessary if children or invalids are nearby.



**NOTE:** To avoid injury from unexpected starting or electrical shock, do not plug the power cord into a source of power during unpacking and assembly. The cord must remain unplugged whenever you are adjusting/assembling the fireplace.

If any part is missing or damaged, do not attempt to use or plug in the power cord until the missing or damaged part is correctly replaced. To avoid electric shock, use only identical replacement parts when servicing double-insulated tools.



**NOTE:**  
**SAVE THESE INSTRUCTIONS**

# Warranty

---

**1 Year Limited Warranty:** The manufacturer warrants this product to be free from manufacturing and material defects for a period of one year from date of purchase, subject to the following conditions and limitations:

1. Install and operate this Electric Fireplace in accordance with the installation and operating instructions furnished with the product at all times. Any unauthorized repair, alteration, willful abuse, accident, or misuse of the product shall nullify this warranty.
2. This warranty is non-transferable and is made to the original owner, provided that the purchase was made through an authorized supplier of the product.
3. The warranty is limited to the repair or replacement of part(s) found to be defective in material or workmanship, provided that such part(s) have been subjected to normal conditions of use and service, after said defect is confirmed by the manufacturer's inspection.
4. The manufacturer may, at its discretion, fully discharge all obligations with respect to this warranty by refunding the wholesale price of the defective part(s).
5. Any installation, labor, construction, transportation, or other related costs/expenses arising from defective part(s), repair, replacement, or otherwise of same, will not be covered by this warranty, nor shall the manufacturer assume responsibility for same.
6. The owner/user assumes all other risks, if any, including the risk of any direct, indirect or consequential loss or damage arising out of the use, or inability to use the product, except as provided by law.
7. All other warranties – expressed or implied – with respect to the product, its components and accessories, or any obligations/liabilities on the part of the manufacturer are hereby expressly excluded.
8. The manufacturer neither assumes, nor authorizes any third party to assume on its behalf, any other liabilities with respect to the sale of the product.
9. The warranties as outlined within this document do not apply to non accessories used in conjunction with the installation of this product.
10. This warranty gives you specific legal rights, and you may also have other rights which vary from state to state.

This warranty is void if:

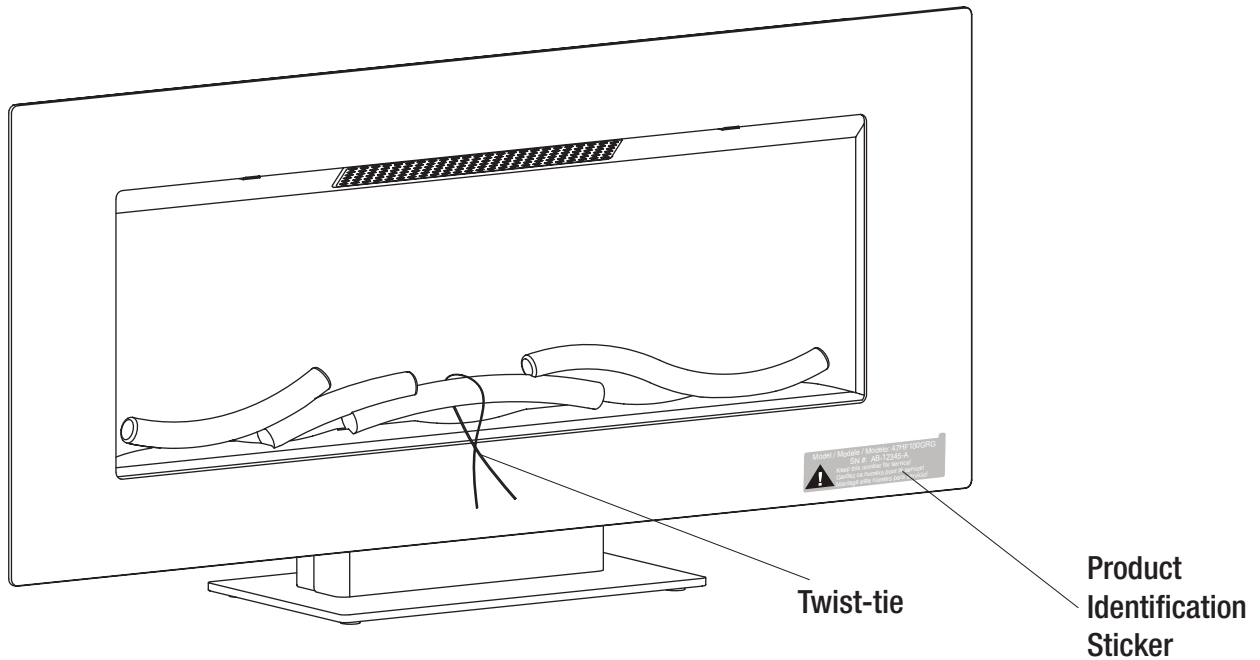
- a. The fireplace is subjected to prolonged periods of dampness or condensation.
- b. There has been unauthorized alteration, willful abuse, accident, or misuse of the product.
- c. You do not have the original receipt of purchase.

#### **IF WARRANTY SERVICE IS NEEDED**

Contact the customer service department at 1-800-986-3460, 8 a.m.-6 p.m., EST, Monday-Friday. Make sure you have your warranty, your sales receipt, location of purchase and the model/serial number of your product.

# Pre-Operation

1. Remove the product identification sticker from the front of the fireplace and the twist-tie from the logset.



2. Attach the Product Identification Sticker to this Manual below for future reference. This information is used for product registration and also is necessary for customer service.

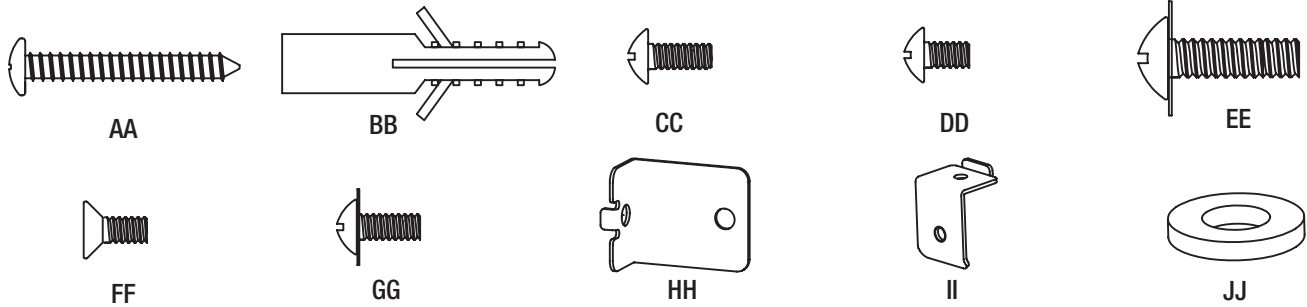
Attach Product Identification Sticker Here



3. Go to [homedepot.com/homedecorators](http://homedepot.com/homedecorators) for product warranty registration. If you are unable to complete registration, save your proof of purchase for warranty purposes.

# Pre-Assembly

## HARDWARE INCLUDED



Part	Description	Part Number	Quantity
AA	Anchor Screw	3647HF-AA	4
BB	Wall Anchor	3647HF-BB	4
CC	Screw 4mm x 8mm (2 Pre-Attached)	3647HF-CC	4
DD	Screw 4mm x 6mm (3 Pre-Attached)	3647HF-DD	8
EE	Screw	3647HF-EE	7
FF	Flat Head Screw	3647HF-FF	2
GG	Screw (Pre-Attached)	3647HF-GG	2
HH	Wall Bracket	3647HF-HH	4
II	Small Base Bracket	3647HF-II	1
JJ	Washer	3647HF-JJ	4



**NOTE:** Hardware not shown to actual size.

## PRODUCT SPECIFICATIONS

<b>Voltage</b>	120 VAC, 60 Hz
<b>Amps</b>	12.5 Amps
<b>Watts</b>	1500 Watts

## PLANNING ASSEMBLY

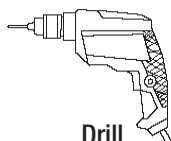
Before beginning assembly of product, make sure all parts are present. Compare parts with Hardware Included and Package Contents lists. If any part is missing or damaged, do not attempt to assemble, install or operate the product. Contact customer service for replacement parts.

Estimated Assembly Time: 60 Minutes

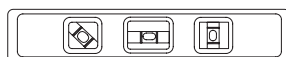
## Tools Required for Assembly (not included): Phillips screwdriver, Drill, Hammer, Level



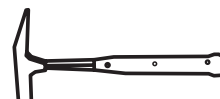
Phillips Screwdriver



Drill



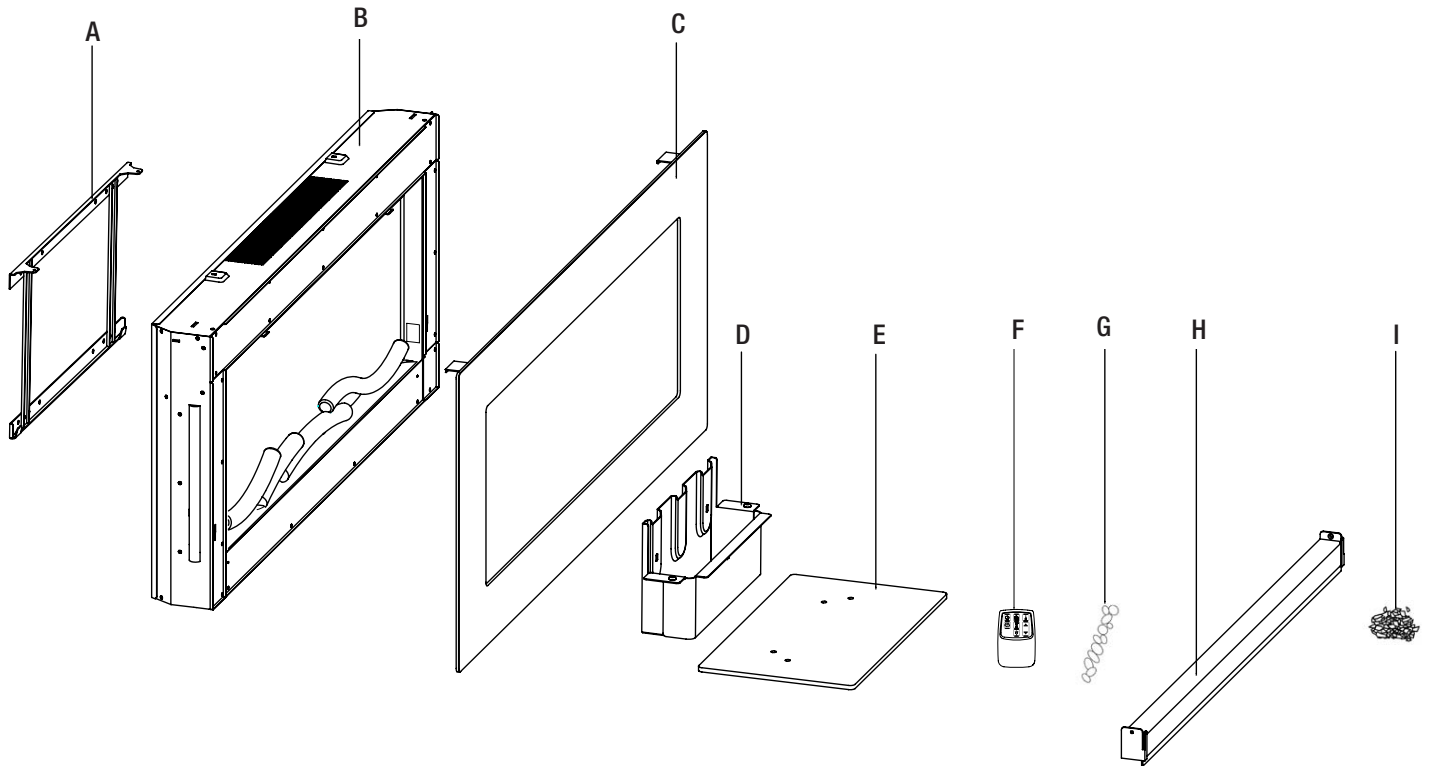
Level



Hammer

# Pre-Assembly (continued)

## PACKAGE CONTENTS



Part	Description	Quantity
A	Mounting Bracket (Pre-Attached)	1
B	Fireplace	1
C	Front Frame	1
D	Base Bracket	1
E	Base	1
F	Remote Control	1
G	Decorative Rocks	Varies
H	Transparent Tray Assembly	1
I	Fireglass	Varies

# Installation Options

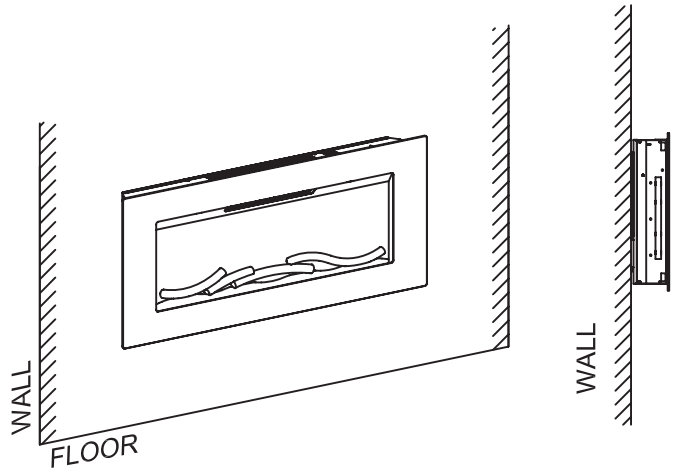
The fireplace can be installed with 3 options:

1. Wall hanging to the wall with provided mounting bracket.
2. Stand with the pedestal base.
3. Built in construction.

Follow installation instructions below based on installation preference.

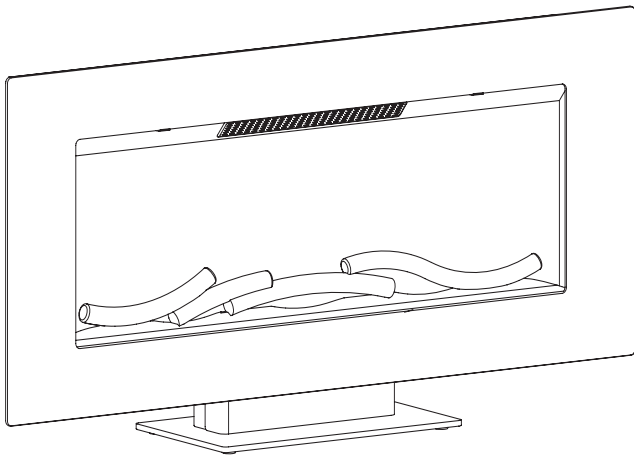
## Option 1

Wall Hanging....page 9



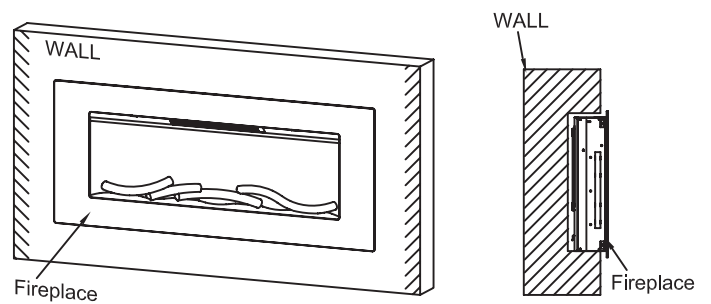
## Option 2

Pedestal Base....page 12



## Option 3

Built in construction....page 13

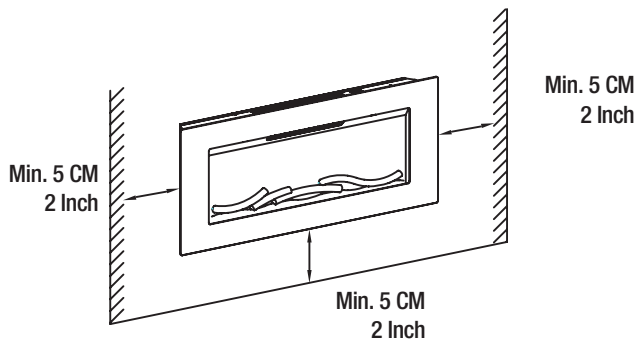




# Installation - Wall Hanging

## WALL HANGING TO THE WALL WITH PROVIDED MOUNTING BRACKET

Your new electric fireplace may be installed virtually anywhere in your home. However, when choosing a location be sure to follow the general instructions included. For best results install out of direct sunlight. Power supply service must be either completed or placed within the electric fireplace prior to finishing to avoid reconstruction.



**WARNING:** Keep drapery and other furnishings at least 3 ft / 1 m from the front and sides of the electric fireplace.

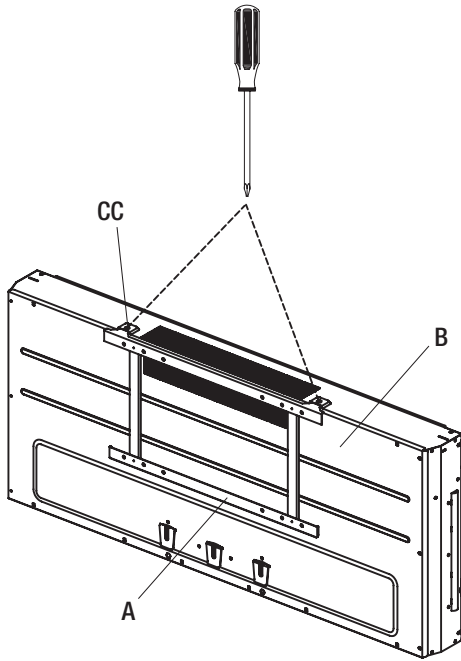
Clearance to combustibles

<b>Sides</b>	2 in. / 5 cm
<b>Floor</b>	2 in. / 5 cm
<b>Top</b>	2 in. / 5 cm
<b>Back</b>	0 in. / 0 cm

# Installation - Wall Hanging

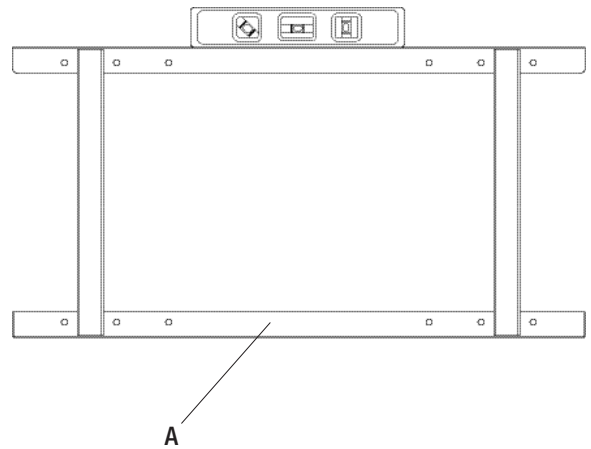
## 1 Removing the Mounting Bracket

- Remove the Mounting Bracket (A) from the back of the Fireplace (B) by removing the two pre-attached Screws (CC) at the top back of the unit.



## 2 Choosing a Wall Location

- Choose a wall location to attach the Mounting Bracket (A). Position the Mounting Bracket (A) in the desired location.
- Use a level to align the bracket and mark the four holes with a pencil.



## 3 Drilling the Holes

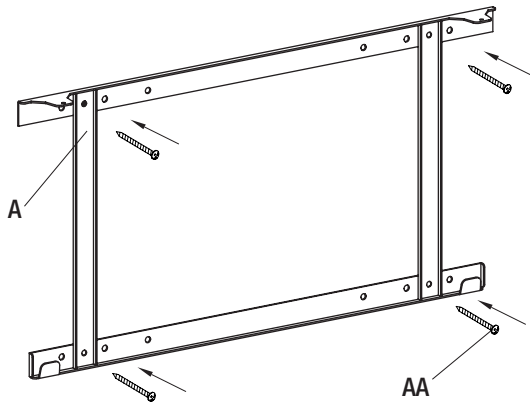
- Drill four 1/4-inch (6 mm) holes in the wall.
- Insert the Wall Anchors (BB) into the holes using a hammer.



# Installation - Wall Hanging (continued)

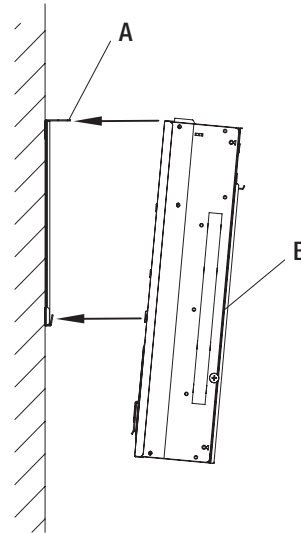
## 4 Attaching the Mounting Bracket

- Attach the Mounting Bracket (A) to the wall by fastening the four Anchor Screws (AA) into the wall anchors.



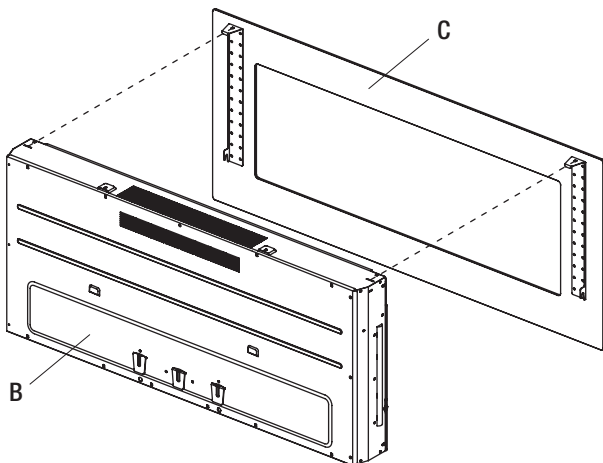
## 5 Hanging the Fireplace

- Hang the Fireplace (B) on the hooks at the bottom of the Mounting Bracket (A) and push the Fireplace (B) into the Mounting Bracket (A).
- Re-fasten the two screws removed in Step 1.



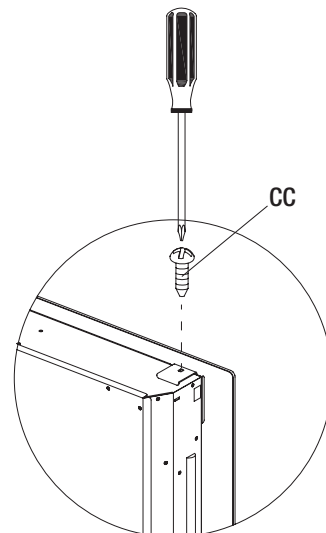
## 6 Hanging the Front Frame

- Hang the Front Frame (C) on the Fireplace (B) and gently push on the lower part of the frame until it snaps into place.



## 7 Securing the Front Frame

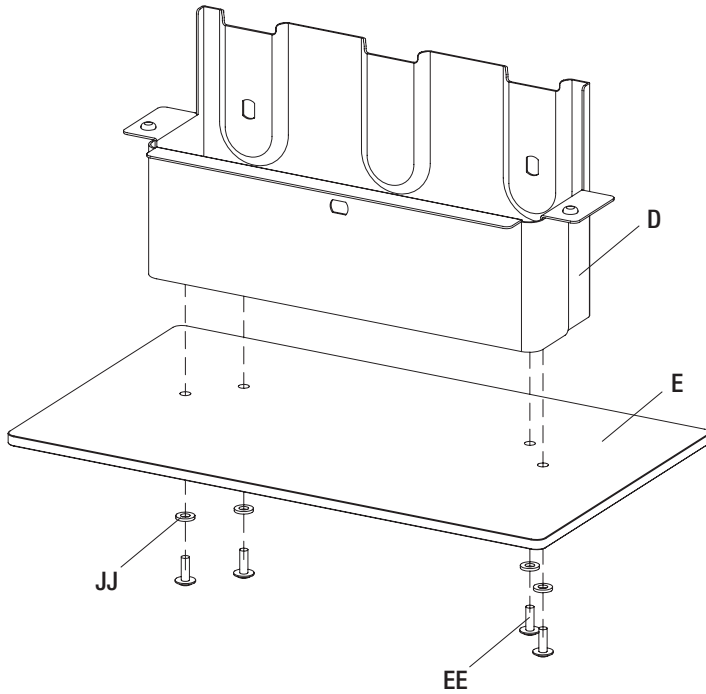
- Secure the top frame hooks with the two retaining Screws (CC).
- Continue to the fuel bed setup instructions (Page 18).



# Installation - Pedestal Base

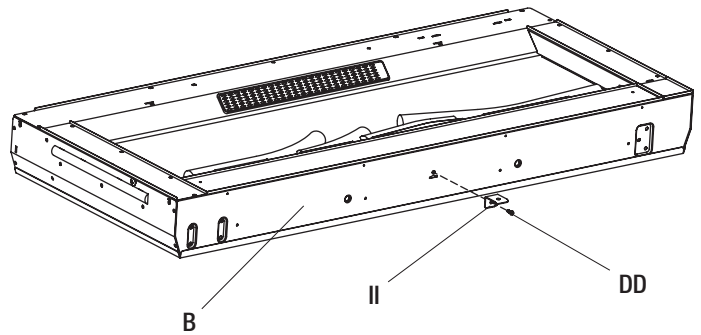
## 1 Fastening the Base Bracket

- Use four Screws (EE) and four Washers (JJ) to fasten the Base Bracket (D) to the Base (E).



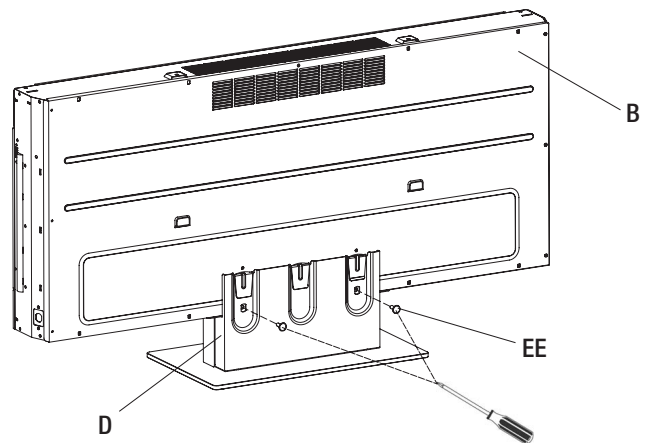
## 2 Attaching the Small Base Bracket

- Use 1 Screw (DD) to fasten the Small Base Bracket (II) to the Fireplace (B).



## 3 Attaching the Base Bracket

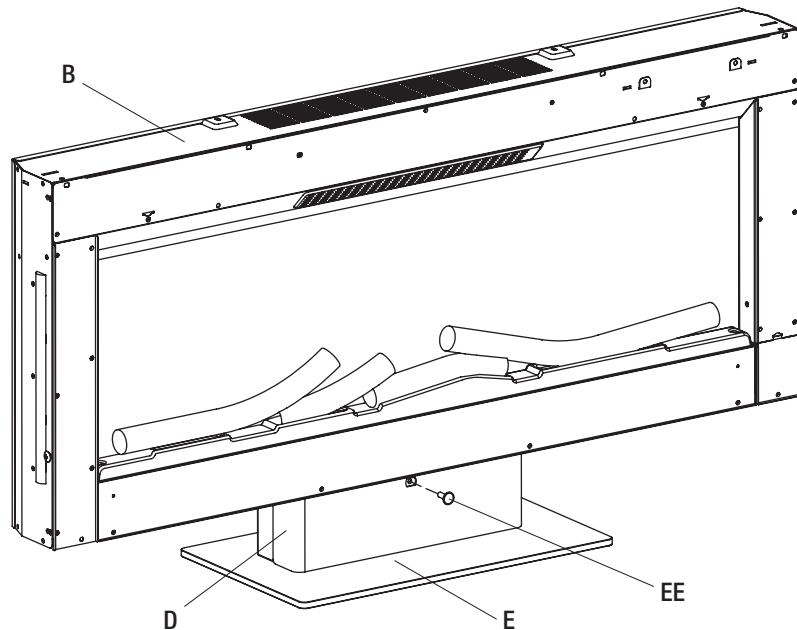
- Fasten the Base Bracket (D) to the Fireplace (B) with the provided Screw (EE).



## Installation - Pedestal Base

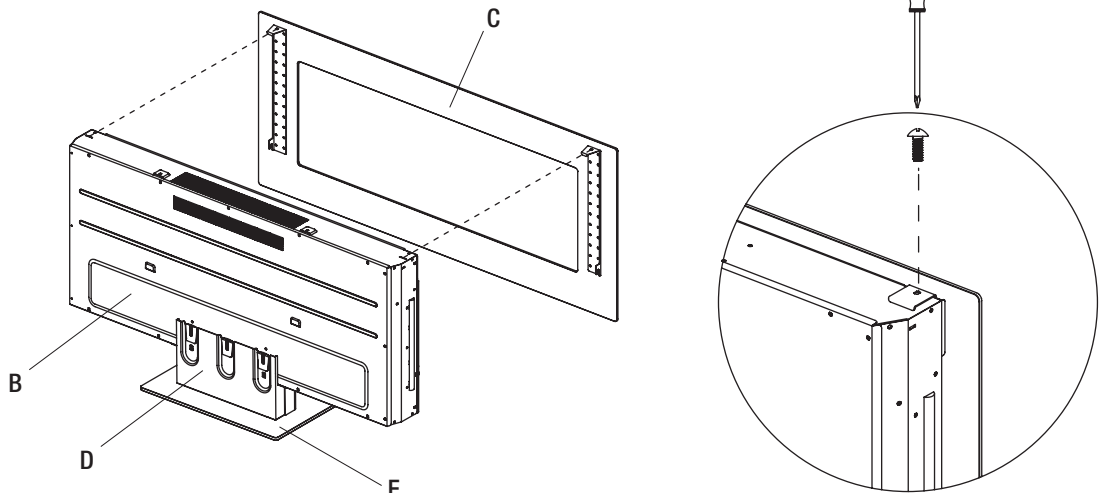
### 4 Fastening the Base Bracket

- Use 1 Screw (EE) to fasten the Base Bracket (D) to the Fireplace (B).



### 5 Secure the Top Frame

- Mount Front Frame (C) to the Fireplace (B) by hooking the clips into position.
- Tighten the 2 Screws (CC).
- Continue to the fuel bed setup instructions (Page 18 ).



# Installation - Built In Construction

## BUILT IN TO A WALL INSTRUCTIONS

This fireplace is a zero clearance design. No combustibles can be placed on the top surface of the fireplace. Combustibles may be installed to the edge of the unit. Insulation and vapor barrier should be placed a minimum of 2 inches from the unit. Build the framing according to the specifications shown in the below table & figure 1.

Model	A	B	C	D	E	F	G	H	I	J	K	L
36HF100GRG / 36HF100GRG-01	32.8"	18.6"	3.9"	36"	19.7"	4.5"	31.8"	18"	3.5"	37.2"	26.3"	26.3"
47HF100GRG / 47HF100GRG-01	43.3"	18.6"	3.9"	46.2"	19.7"	4.5"	42.3"	18"	3.5"	47.5"	33.6"	33.6"

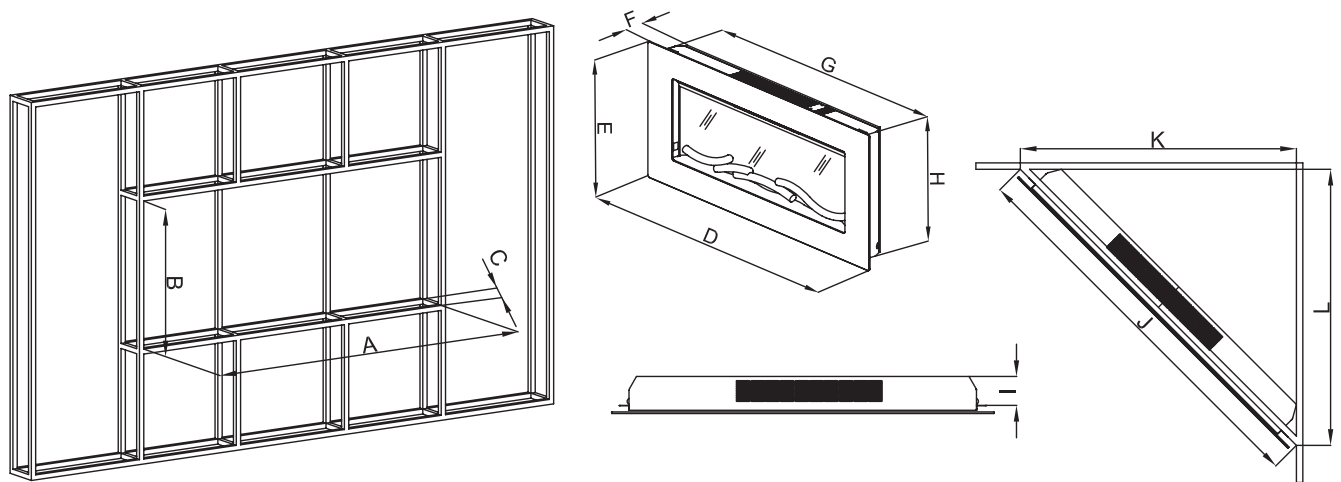


Fig. 1

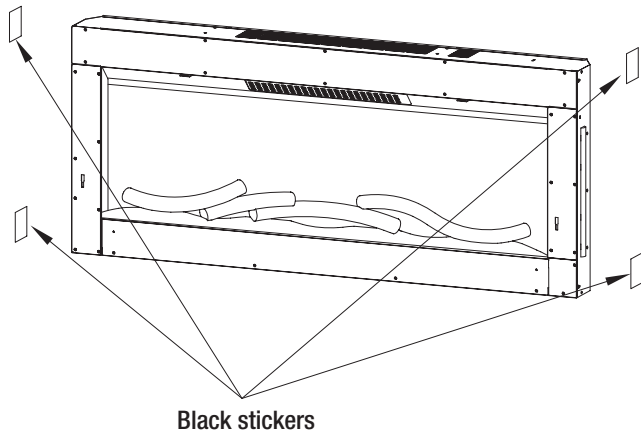
## WIRING REQUIREMENTS

Use appropriate wire to meet local and national electrical codes for rated power consumption. All wire gauges should be 12 gauge solid wires with a dedicated 15 amp breaker for 120 volts.

# Installation - Built In Construction (continued)

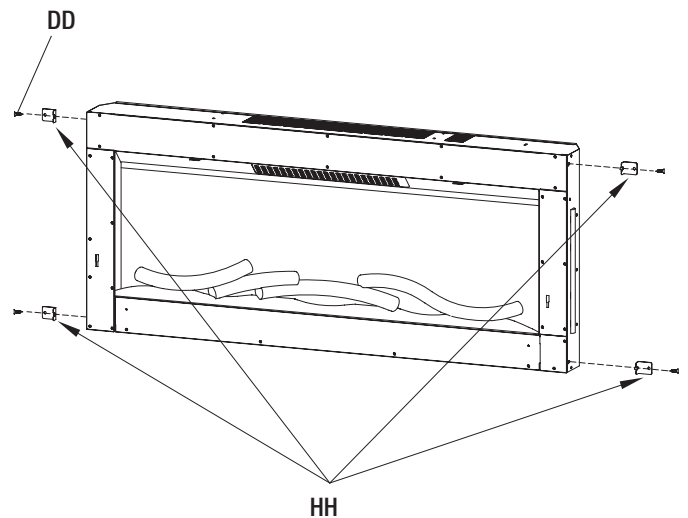
## 1 Removing the Stickers

- Remove the black stickers.



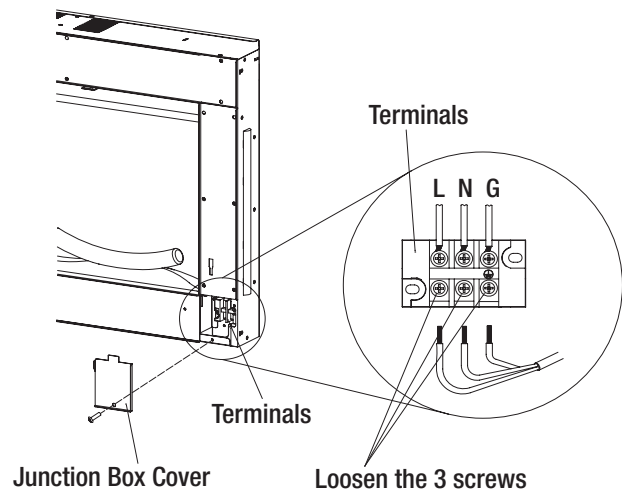
## 2 Fastening the Brackets

- Fasten the Wall Brackets (HH) with Screws (DD).



## 3 Steps 3 to 6 describe optional installation for removing the power cord and changing to hard wired

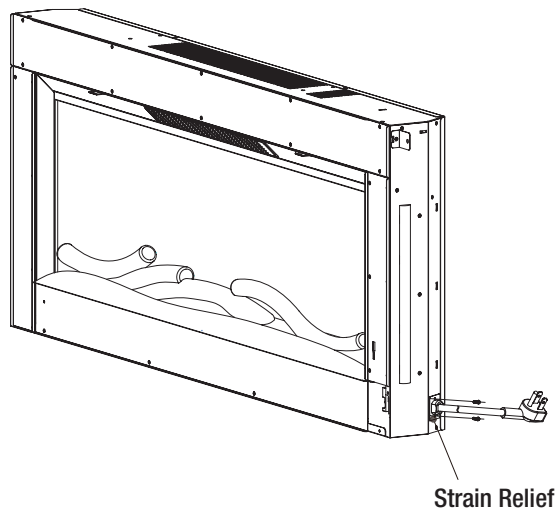
- Remove the pre-attached Screw (DD) holding the junction box cover.
- Loosen the three screws holding the wires and remove the Negative, Live and Ground wires.



## Installation - Built In Construction (continued)

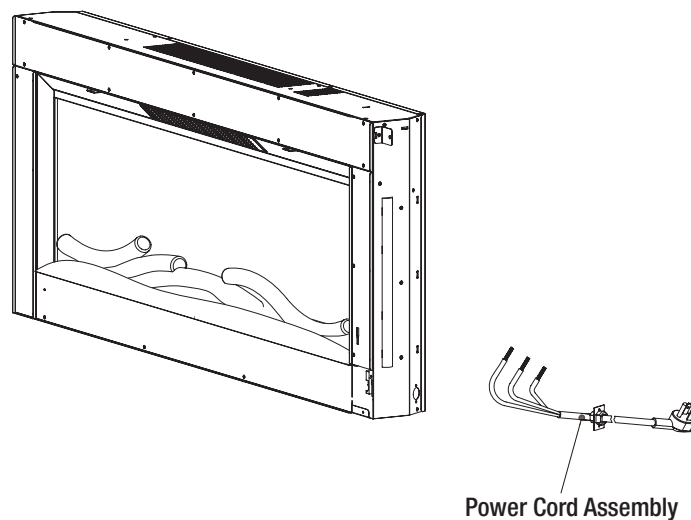
### 4 Loosening the Strain Relief Bracket

- Remove the two pre-attached Screws (DD) holding the power cord strain relief bracket.



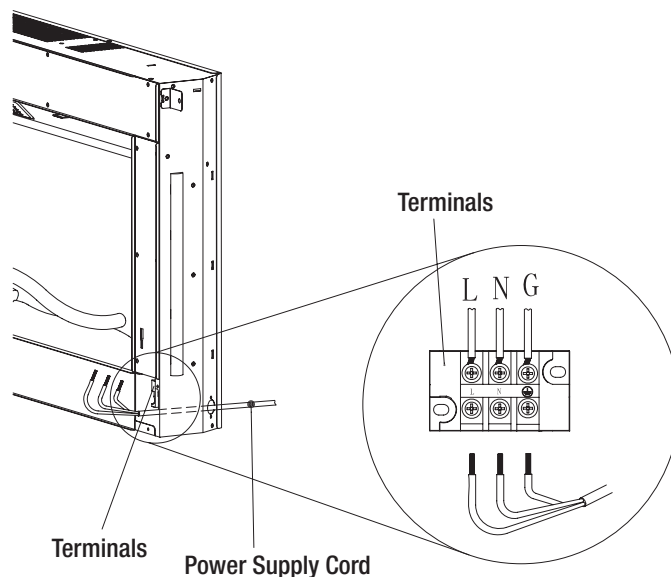
### 5 Fastening the Brackets

- Remove the power cord and strain relief assembly.



### 6 Connecting the Power Supply Wire

- Connect the power supply wire.

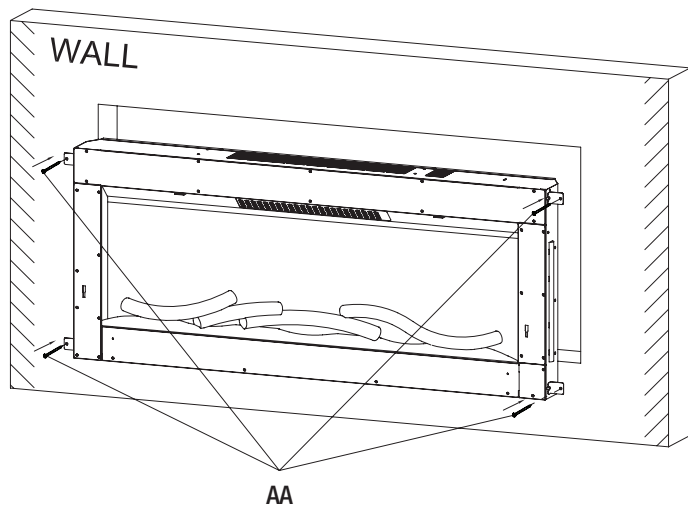




## Installation - Built In Construction (continued)

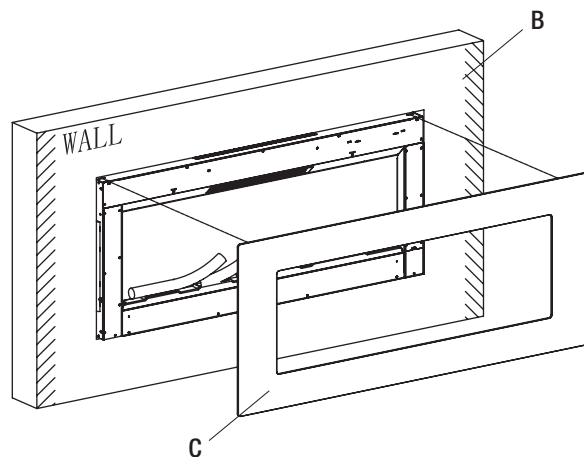
### 7 Installing the Fireplace

- Secure the fireplace to the wall using Anchor Screws (AA).



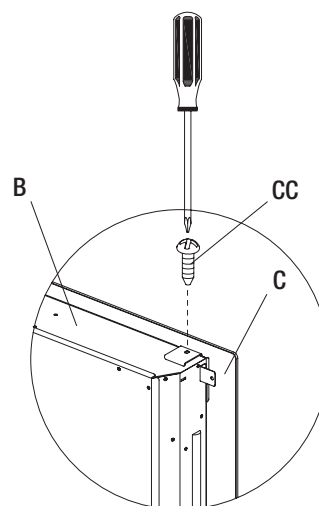
### 8 Hanging the Front Frame

- Hang the Front Frame (C) on the Fireplace (B) and gently push on the lower part of the frame until it snaps into place.



### 9 Securing the Top Frame Hooks

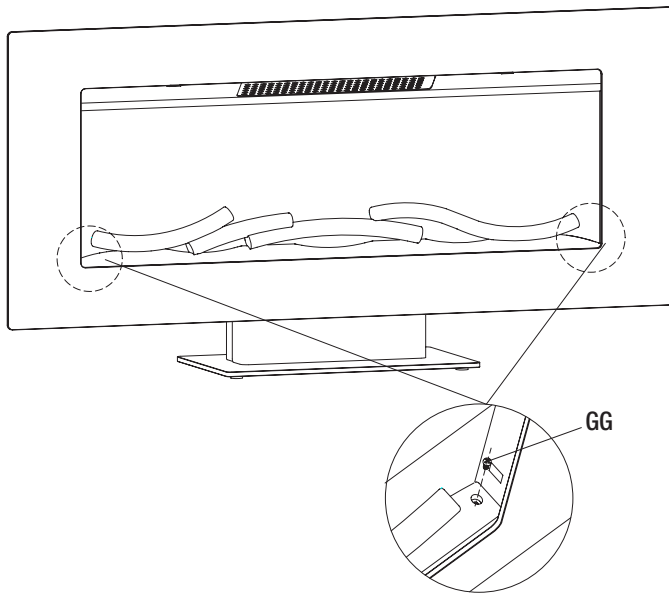
- Secure the top frame hooks with the two retaining Screws (CC).



# Fuel Bed Setup Instructions

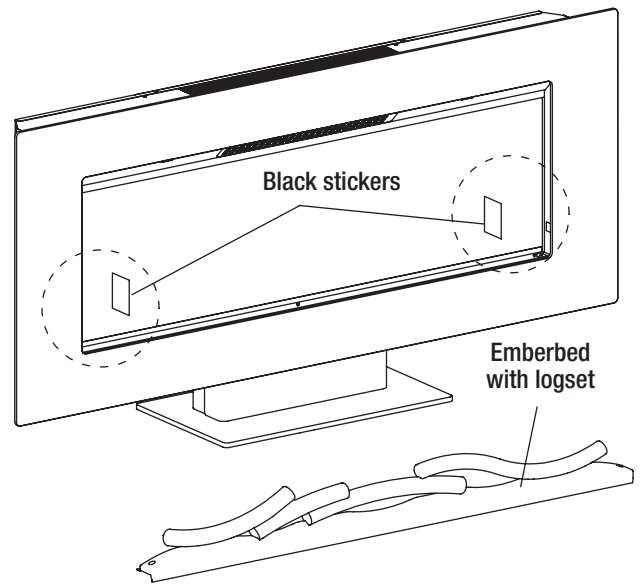
## 1 Removing the Logset

- If you wish to remove the logset, unscrew the two Screws (GG) securing the emberbed.



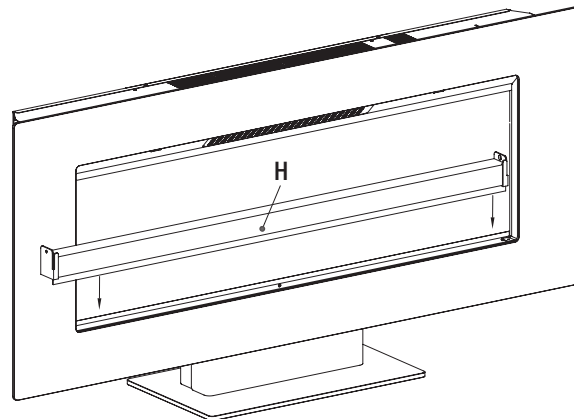
## 2 Removing Logset and the Black Stickers

- Remove the logset and the black stickers on both sides.



## 3 Placing Transparent Tray

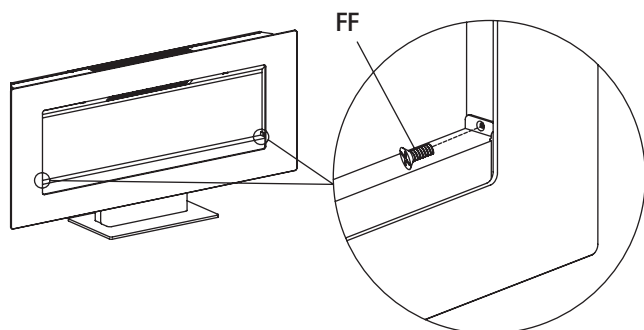
- Place the Transparent Tray (H) inside the Fireplace (B).



## Fuel Bed Setup Instructions (continued)

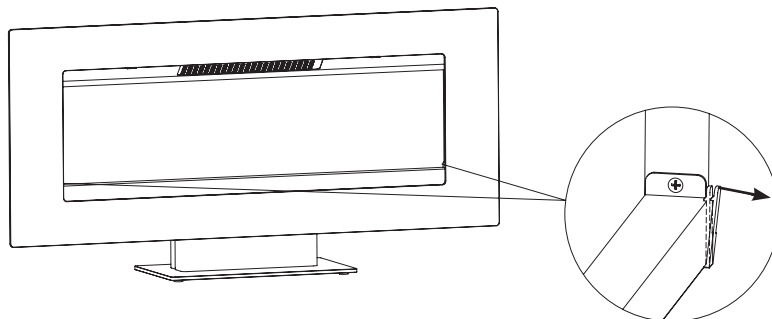
### 4 Tightening the Screws

- Tighten the Screws (FF) on both sides.



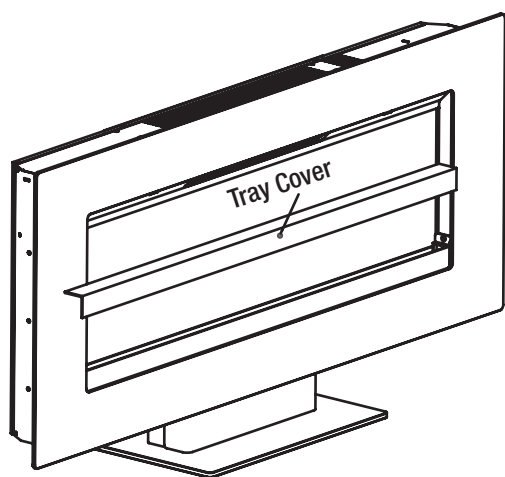
### 5 Removing the Tray Cover

- Carefully pull the tray tabs to remove the tray cover.



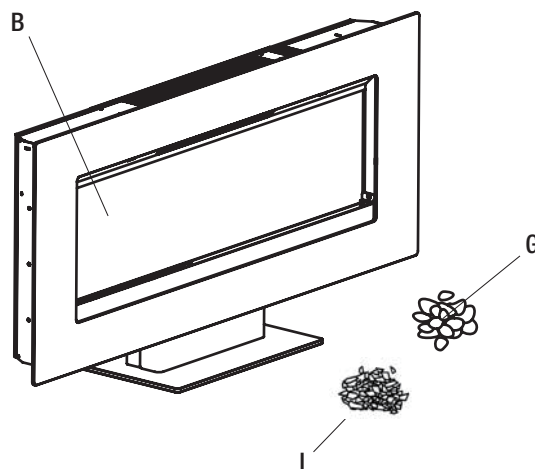
### 6 Removing the Tray Cover

- Remove the tray cover.

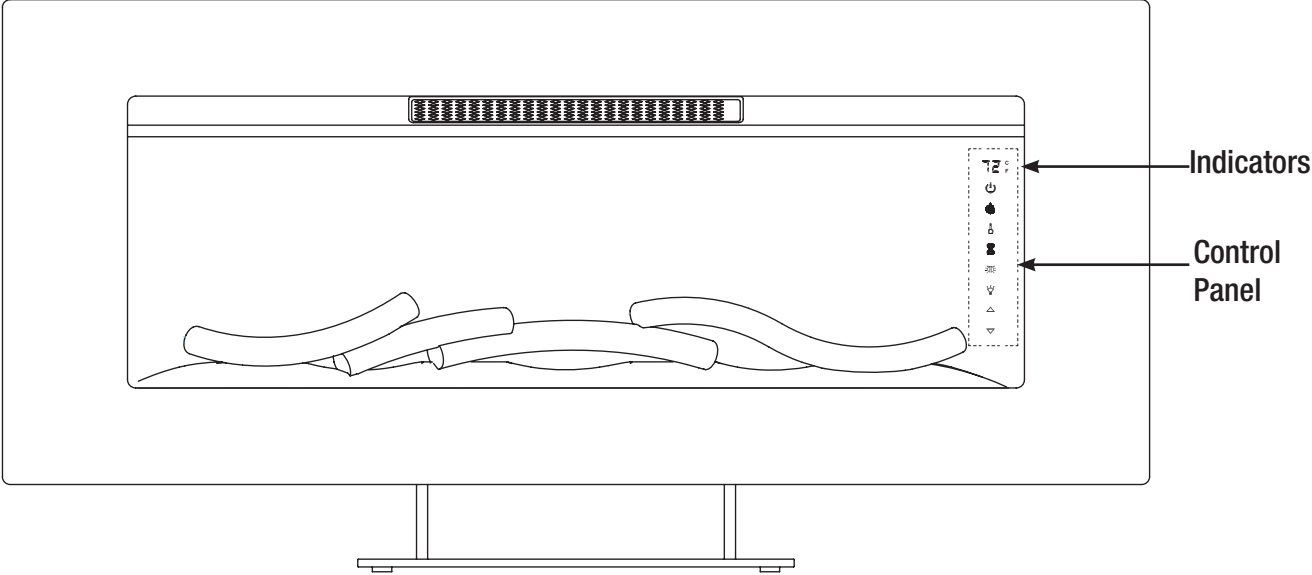


### 7 Placing Fireglass or Rocks

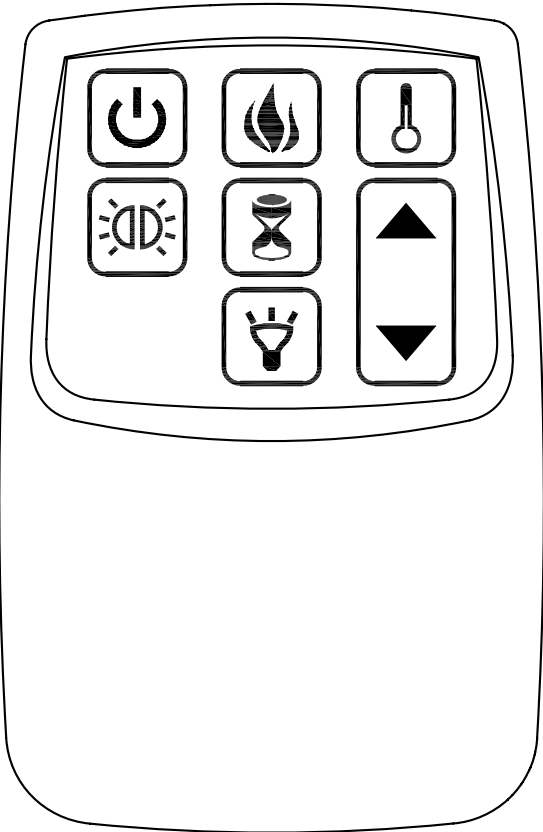
- Place the Fireglass (I) or the Rocks (G) as desired. Follow steps 5 and 6 in reverse to re-install the tray cover.



# Operation



The fireplace can be operated by either the remote control or the control panel.



# Operation (continued)

## 1 Powering the Fireplace

- Push the Power button to supply power to all functions of the fireplace and put the insert in a standby mode.
- Push the Power button again to turn off all functions.



**NOTE:** All previous settings are held in memory, so the next time you power up the fireplace, the unit will turn on with the same settings.



**NOTE:** Holding the Power button on the control panel for 10 seconds will disable the heater function.



## 2 Adjusting the Spectrafire Flame

- There are six brightness levels that can be selected.  
Settings 6 - 4 decrease in Spectrafire brightness.  
Settings 3 - 1 decrease in Amber only flame brightness.



## 3 Adjusting the Heater

- To set the thermostat use the heater button on the touch control panel to select the desired temperature. The heater button on the remote will turn the heater on/off to the thermostat setting selected by the control panel.
- The thermostat setting range is 62°F - 82°F or 17°C - 27°C or always ON.
- The thermostat is adjustable by 2°F or 1°C increments by pressing the up or down buttons.



**NOTE:** To change between °F and °C press and hold the Heater button on the control panel for 3 seconds.



## 4 Adjusting the Sidelights

- Pressing the sidelights button will change the sidelight between the four settings: amber, blue, blue/amber, auto-cycling and OFF.



## 5 Adjusting the Uplights

- Pressing the uplights button will change the uplight between the four settings: white, blue, white/blue, auto-cycling and OFF.



## 6 Setting the Timer

- Press the Timer button to cycle through the ten timer settings (30 minutes, 1 Hour, 2H, 3H, 4H, 5H, 6H, 7H, 8H and 9H) and the OFF setting.



## Operation (continued)

### 7 Replacing the Remote Control Battery

- When the remote control stops operating or its range seems reduced, it is time to replace the battery with new ones.
  - On the back end of the remote, press and slide the battery door open and remove the old battery.
  - Insert 2 AAA batteries, checking that the + and - sides of the battery match inside the battery compartment.
  - Replace the battery compartment door.



**NOTE:** Do not mix old and new batteries. Do not mix alkaline, standard (carbonzinc), or rechargeable (nicad, nimh, etc) batteries.



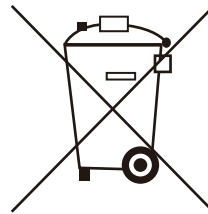
**NOTE:** Please operate the remote control at a slow measured pace. Press the remote control buttons with an even motion and gentle pressure. Repeatedly pressing buttons in rapid succession may cause the transmitter to malfunction.



**NOTE:** Batteries should be removed if the product is to be left unused for a long time.

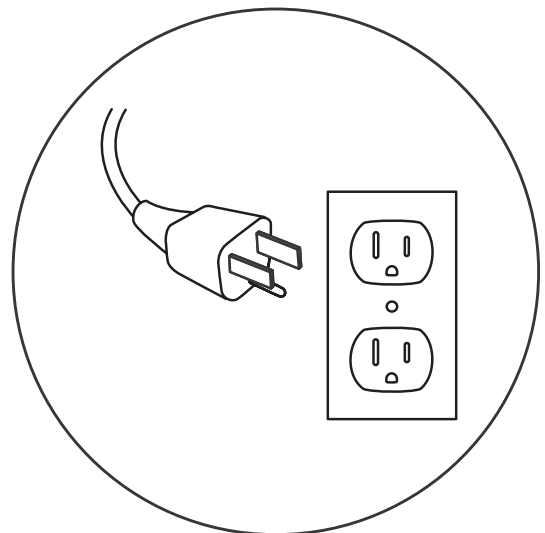
### 8 Disposing of Used Batteries

- The battery may contain hazardous substances that could endanger the environment and human health.
- This symbol marked on the battery and/or packaging indicates that used battery shall not be treated as municipal waste. Instead it should be left at the appropriate collection point for recycling.
- By correctly disposing used batteries, you prevent potential negative consequences for the environment and human health. Recycling used materials also conserves natural resources.
- For more information about collecting and recycling used batteries, please contact your local municipality, your waste disposal service or the point of sale where you purchased this product.



### 9 Using the Power Cord Correctly

- This heater is for use on 120 volts. The cord has a plug as shown in the figure.
- Connect to properly grounded outlets only.
- Do not use a 2 prong adapter. Never use with an extension cord or relocatable power tap (outlet/power strip).



## FCC/IC Information

This equipment has been tested and found to comply with the limits for Class B digital device, pursuant to part 15 of the FCC Rules. These limits are designed to provide reasonable protection against harmful interference in a residential installation. This equipment generates, uses, and can radiate radio frequency energy and, if not installed and used in accordance with the instructions, may cause harmful interference to radio or television reception, which can be determined by turning the equipment off and on. The user is encouraged to try to correct the interference by one or more of the following measures:

- Reorient or relocate the receiving antenna.
- Increase the separation between the equipment and the receiver.
- Connect the equipment into an outlet on a circuit different from that to which the receiver is connected.
- Consult the dealer or an experienced radio/TV technician for help.

This device complies with Part 15 of the FCC Rules. Operation is subject to the following two conditions:

(1) This device may not cause harmful interference, and

(2) this device must accept any interference received, including interference that may cause undesired operation.

Modifications not approved by the party responsible for compliance could void user's authority to operate the equipment.

This Class B digital apparatus complies with Canadian ICES-003.

## Care and Cleaning

- Clean the metal trim using a soft cloth, slightly dampened with a citrus oil-based product and buff with a soft, clean cloth. DO NOT use brass polish or household cleaners as these products will damage the metal trim.
- Purchase citrus oil-based products at a hardware store.



**WARNING:** Make sure the power is turned off before proceeding with repairs. Any electrical repairs or rewiring of this unit should be carried out by a licensed electrician in accordance with national and local codes. If repairing or replacing any electrical component or wiring, the original wire routing, color coding and securing locations must be followed. During any service of this appliance, the power to the unit must be turned off. First turn the main power switch to the OFF position. Then remove the electrical plug from the wall outlet.



**WARNING:** Keep electrical cords, drapery, furniture and other combustibles at least 3 ft (0.9 m) from the front of the heater and away from the sides.



**WARNING:** Electrical outlet wiring must comply with local building codes and other applicable regulations to reduce the risk of fire, electrical shock and injury to persons.



**WARNING:** Do not use this fireplace if any part of it has been under water. Immediately call a qualified service technician to inspect the fireplace and replace any part of the electrical system.



**WARNING:** Disconnect power before attempting any maintenance or cleaning to reduce the risk of fire, electrical shock or personal injury.

# Troubleshooting

PROBLEM	POSSIBLE CAUSE	CORRECTIVE ACTION
Display shows "E1".	The thermostat sensor is broken or disconnected.	Unplug the fireplace, remove the back panel of the fireplace and check that the thermostat is plugged into the main circuit board. If this does not solve the problem contact customer service for a replacement thermostat sensor.
Display shows "E2".	The thermostat sensor is broken.	Contact customer service for a replacement thermostat sensor.
Display shows "E3".	Manual Reset overheat protection has triggered.	Inspect the heater and check that the air inlets and outlets are not blocked as this may cause overheating. Unplug the heater for 30 minutes and allow it to cool down. Replug and operate, monitor the heater for signs of overheating, if the problem persists discontinue use of the heater and contact customer service.
Heater does not blow warm air.	Cool down cycle.	Normal operation, will continue to run for several minutes before shutting down. Times will vary based on temperatures. During this time cool air will blow.
No power.	No power to the unit.	Check that unit is plugged into a standard 120V outlet. Press power button several times, make sure power is set at "ON" position.
Power cord gets warm	Normal operation	Check your heater cord and plug connections. Faulty wall outlet connections or loose plugs can cause the outlet or plug to overheat. Be sure the plug fits tight in the outlet. Heaters draw more current than small appliances, overheating of the outlet may occur even if it has not occurred with the use of other appliances. During use check frequently to determine if your plug outlet or faceplate is HOT! If so, discontinue use of the heater and have a qualified electrician check and/or replace the faulty outlet(s).
Heater does not blow air at all.	Thermostat setting is preventing heater from turning on.	Adjust the temperature settings to ensure that the thermostat is set higher than the current room temperature.
Heater doesn't work, but Power and Heater settings are "ON" and thermostat is set.	Manual reset overheat protection triggered.	Turn the POWER to "OFF" and unplug the unit from the wall outlet for 5 minutes. After 5 minutes plug the unit back into wall outlet, and operate as normal. If the problem persists contact customer service.
Flame effect works but heater function does not, and the flame effect flashes when the heater button is pressed.	The heater is disabled	With the power on press and hold the POWER button on the control panel for 10 seconds. Once re-enabled the flame effect will flash multiple times.
Remote Control is not working.	No batteries or poor signal	Change the remote batteries.  Operate remote transmitter at a slow measured pace. Press the remote control buttons with an even motion and gentle pressure. Repeatedly pressing buttons in rapid succession may cause the transmitter to malfunction.
The noise when the heater is on is louder than normal.	a. Dirty or obstructed air intakes.	a. Check the air intakes for obstructions or high dust build up.
	b. Defective Blower/Heater Assembly	b. Contact Customer Service for a new Heater/Blower Assembly.
Abnormal noise when the heater is not on and the flame effect is on.	Defective Spinner Motor.	Contact Customer Service for a new Spinner Motor.



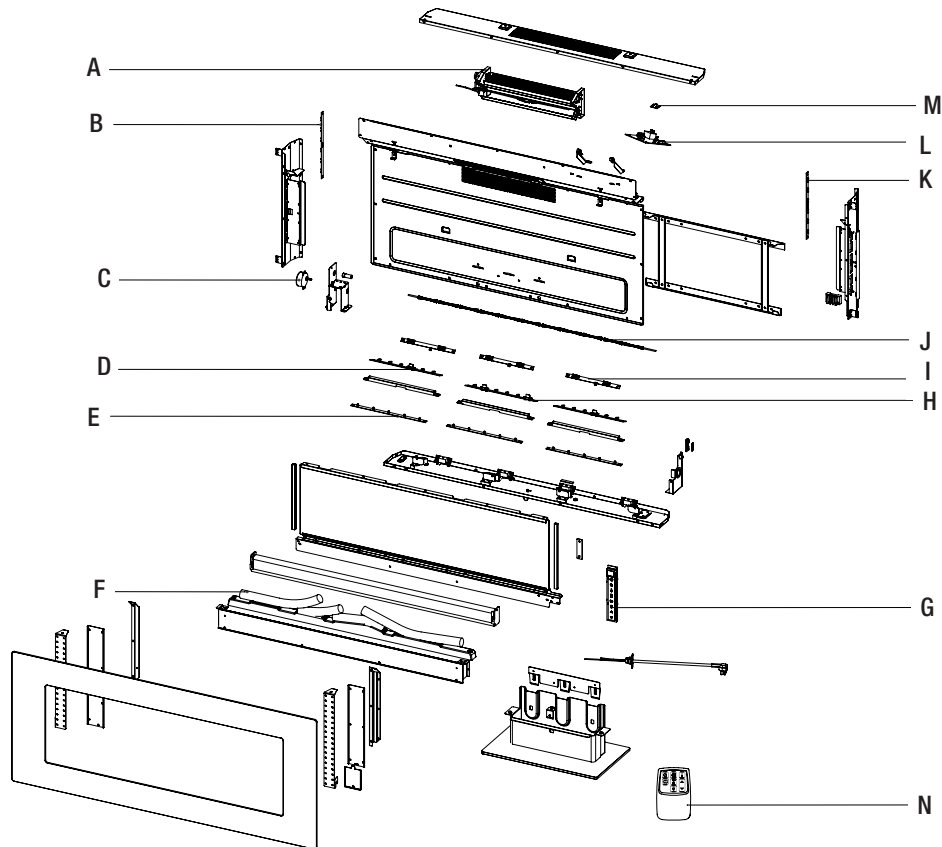
# Replacement Parts

For replacement parts, call our customer service department at 1-800-986-3460, 8 a.m.-6 p.m., EST, Monday-Friday.

Part	Description	36 HF Qty.	47 HF Qty.
A	Blower/Heater Assembly	1	1
B	Left Sidelight PCBA	1	1
C	Flame Generator Drive Motor	1	1
D	Left/Right Flame PCBA	2	2
E	Emberbed Circuit Board	2	3
F	Emberbed with log	1	1
G	Control Panel - 8 Buttons	1	1
H	Middle Flame PCBA	N/A	1
I	Blue Flame PCBA	2	3
J	Flame Generator/ Spinner	1	1
K	Right Sidelight PCBA	1	1
L	Main Circuit Board	1	1
M	Thermostat Sensor	1	1
N	Remote Control - 8 Buttons	1	1



**NOTE:** The scale and size of parts may be different depending on your exact model.



# HOME DECORATORS COLLECTION

Questions, problems, missing parts? Before returning to the store call  
Home Depot Customer Service  
8 a.m. - 6 p.m., EST, Monday-Friday

1-800-986-3460

[HOMEDEPOT.COM/HOMEDECORATORS](https://www.homedepot.com/homedecorators)

RETAIN THIS MANUAL FOR FUTURE USE.