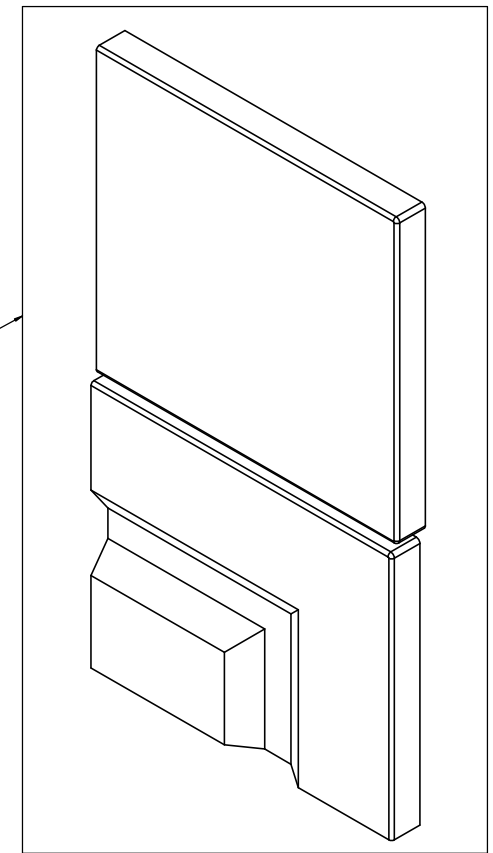
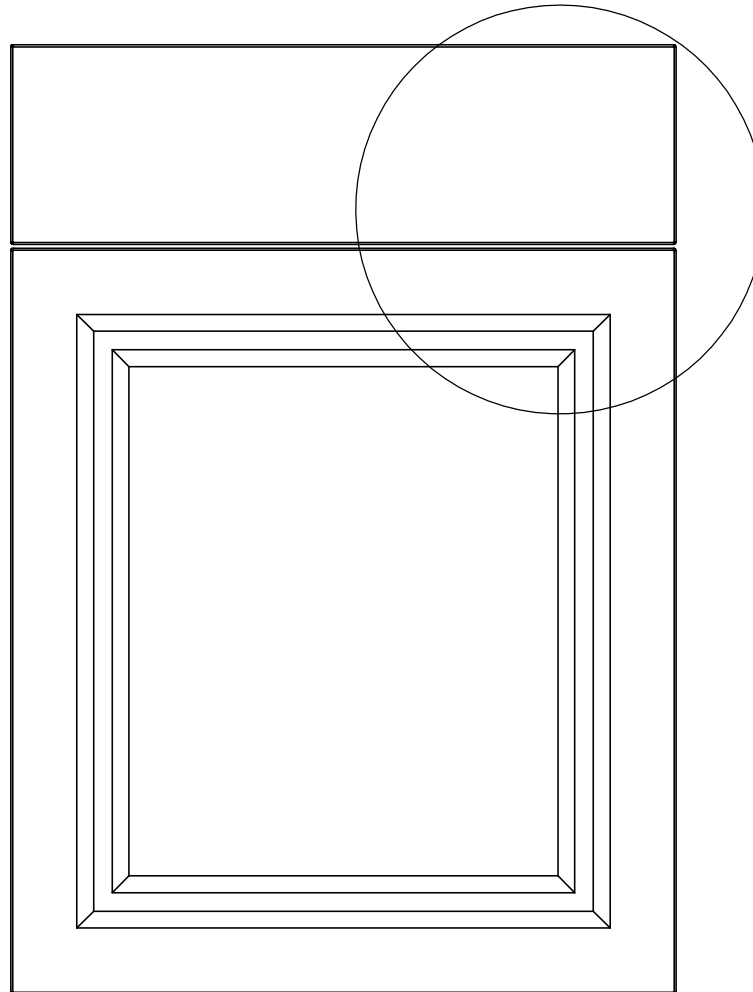


Item ID	Front Thickness [in] mm	Door Thickness [in] mm
BT2135B-WH	[.63] 16	[.63] 16

**This profile
belongs to
BT2135B-WH**

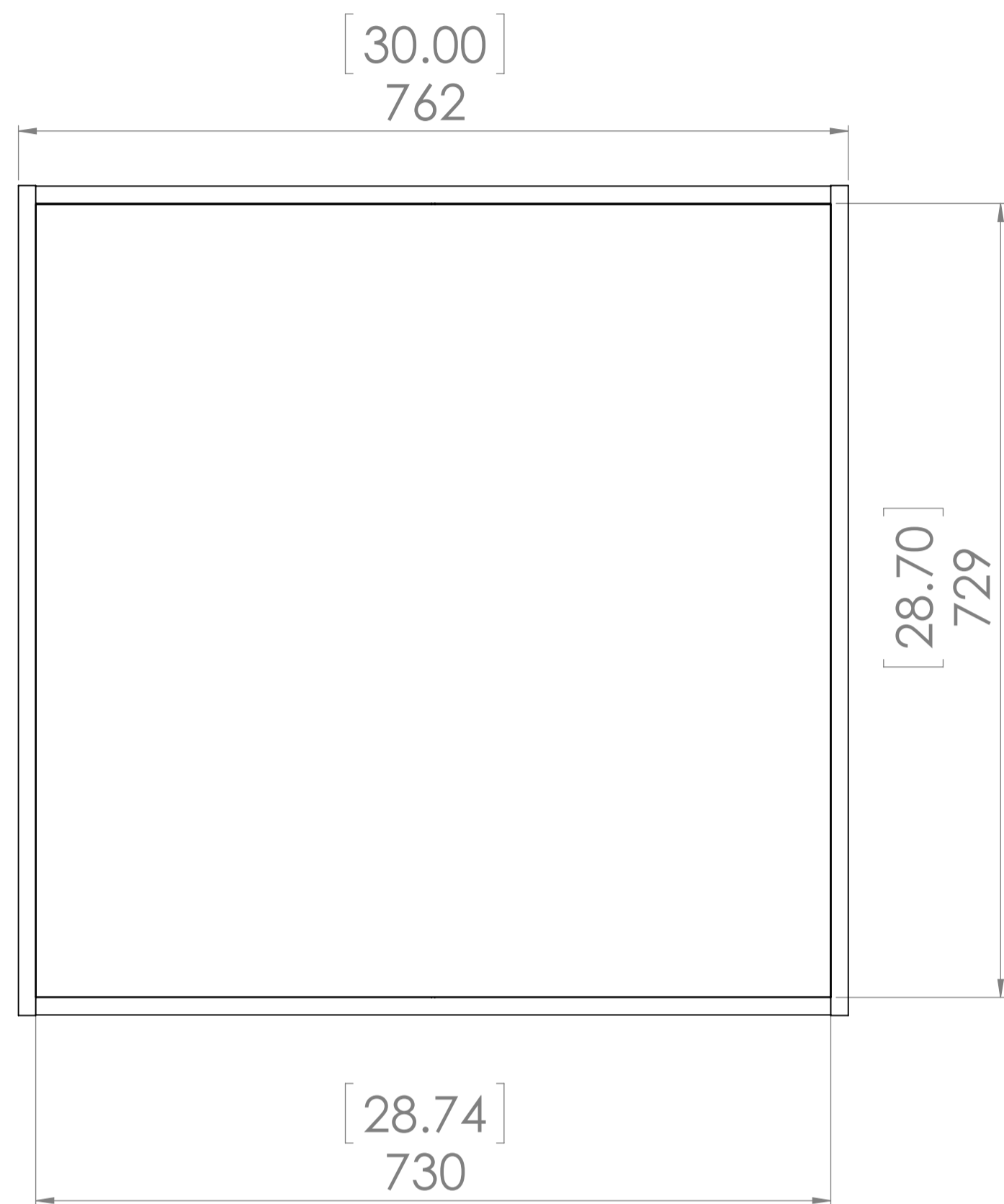


Detailed View

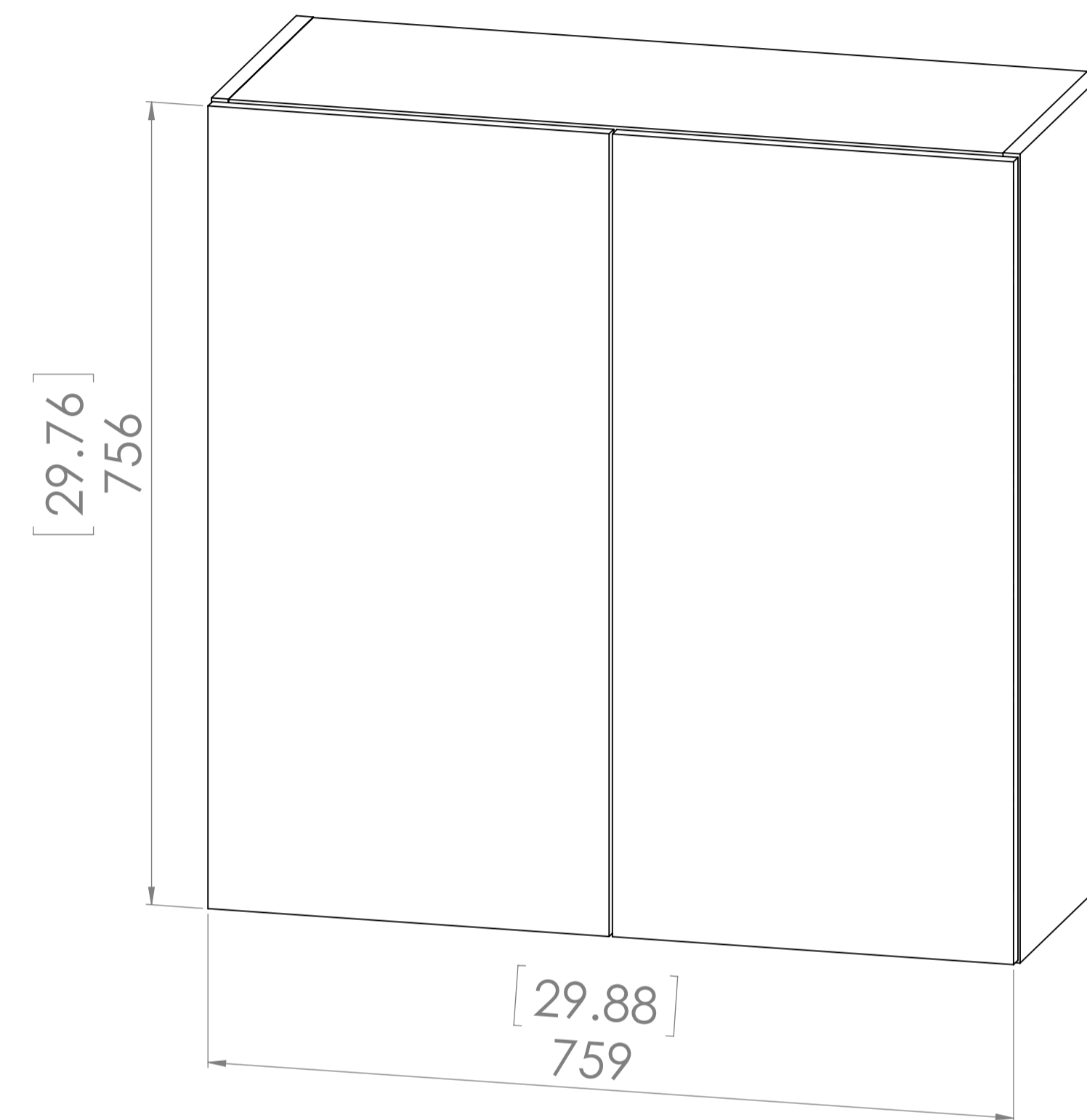
Profile: Benton White	
PROPRIETARY AND CONFIDENTIAL THE INFORMATION CONTAINED IN THIS DRAWING IS THE SOLE PROPERTY OF WOODCRAFTERS. ANY REPRODUCTION IN PART OR AS A WHOLE WITHOUT THE WRITTEN PERMISSION OF WOODCRAFTERS IS PROHIBITED.	UNLESS OTHERWISE SPECIFIED DIMENSIONS ARE IN MM AND [INCHES] TOLERANCES ARE +.039[1]-.039[1] SCALE:1:2

Item ID	Shelf Thickness [in] mm	Shelf Length and Width [in] mm	Depth "X" [in] mm
BT3030W-BT	[.75] 19	L:[10.57] 268.5 W:[28.58] 726	[12.59] 320
BT3030W-WH	[.75] 19		[12.44] 316
CM3030W-DK	[.75] 19		[12.59] 320
CM3030W-WH	[.59] 15		[12.44] 316
EH3030W-GB	[.75] 19		[12.59] 320
BT3030W-RC	[.75] 19		[12.59] 320
CM3030W-KG	[.75] 19		[12.44] 316

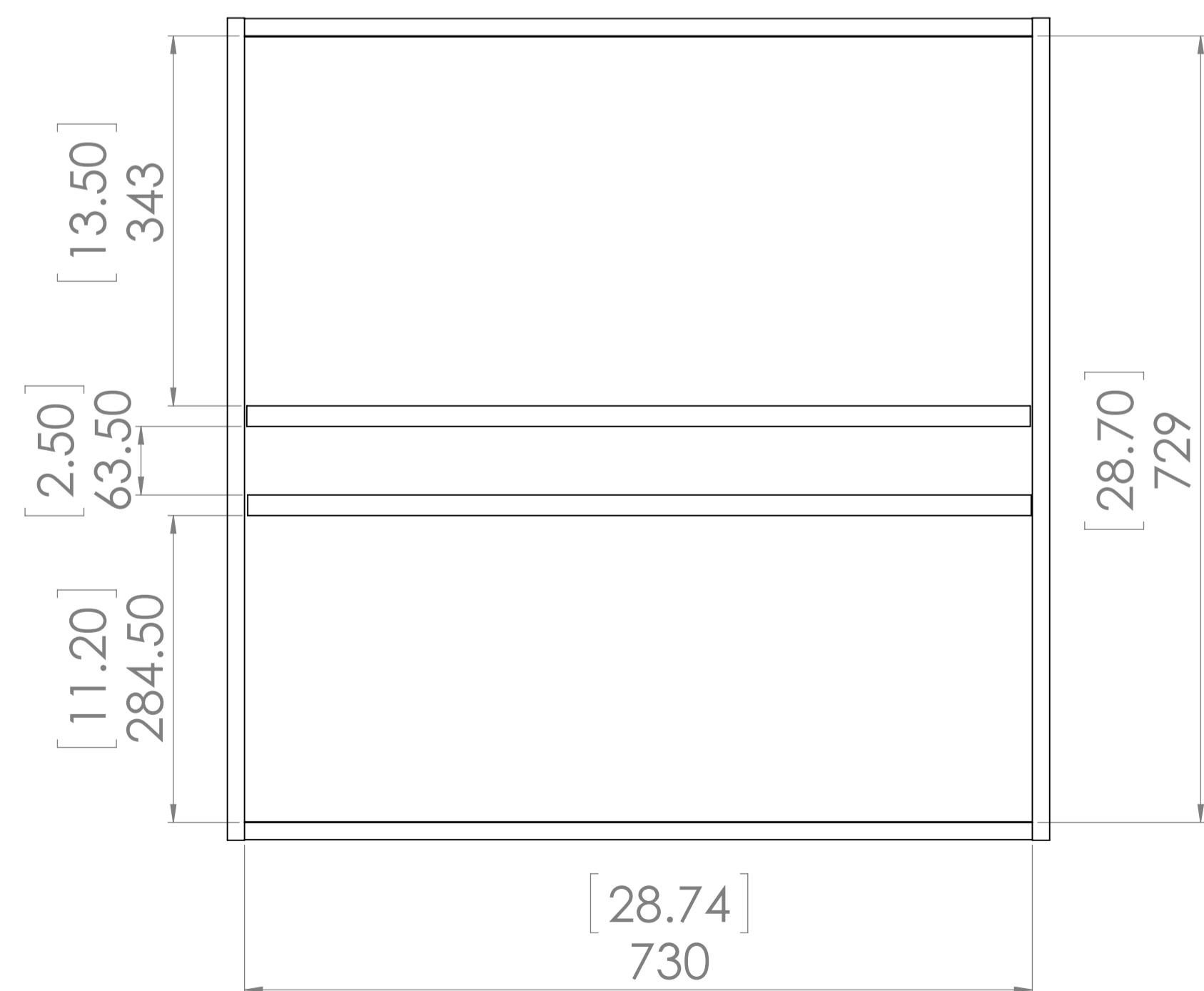
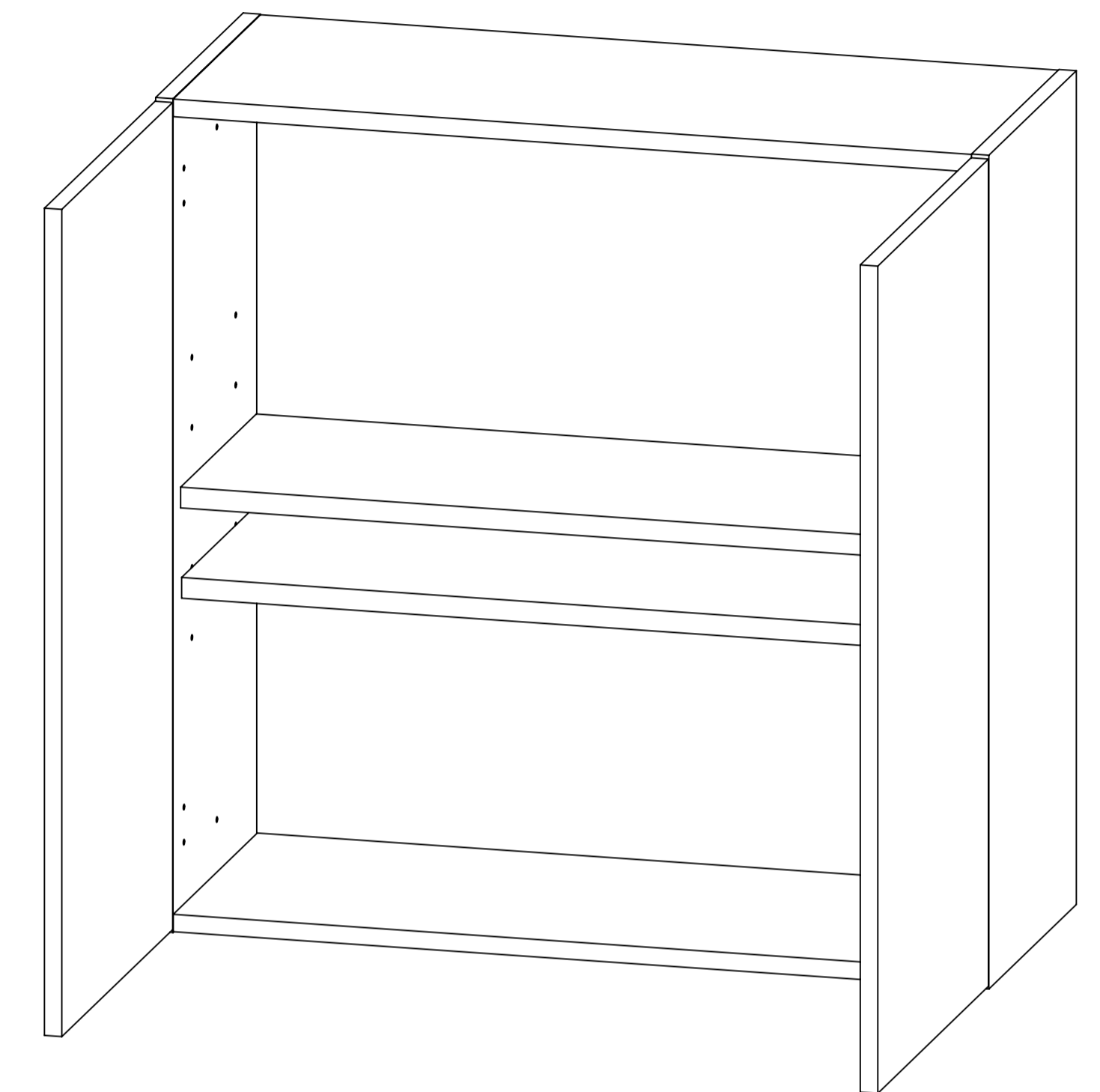
Description					
Kitchens - Wall Cabinet 30					
REV	ECO#	Description	REV'D BY DATE	CHK'D BY DATE	APRV'D BY DATE
2		New model added	11/09/17	11/09/17	11/09/17
3		Structural change	07/25/18	07/25/18	07/25/18



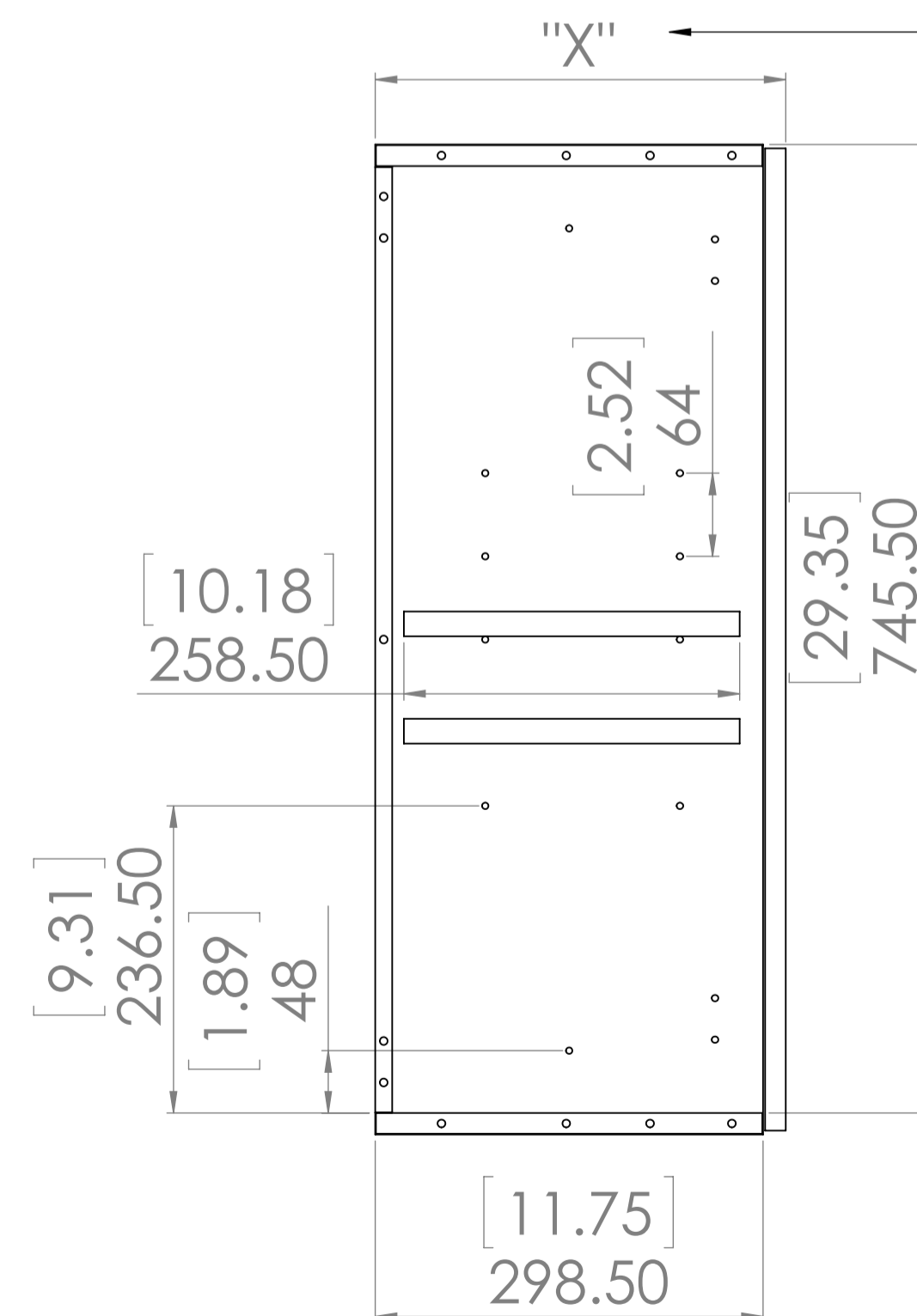
Back View



Isometric View




**Front View
(front door removed)**



Depth "X" depends on door profile

**Side View
(left panel removed)**

	NAME	SIGNATURE	DATE	MATERIAL:	
DRAWN	R. Rubio		11/09/17	Plywood CM-WH.	
CHK'D	R. Rubio		11/09/17	Particle Board the	
APPV'D	R. Rubio		11/09/17	other Cabinets.	
MFG	R. Rubio		11/09/17		
PROPRIETARY AND CONFIDENTIAL THE INFORMATION CONTAINED IN THIS DRAWING IS THE SOLE PROPERTY OF WOODCRAFTERS. ANY REPRODUCTION IN PART OR AS A WHOLE WITHOUT THE WRITTEN PERMISSION OF WOODCRAFTERS IS PROHIBITED.				UNLESS OTHERWISE SPECIFIED DIMENSIONS ARE IN mm. AND [INCHES] TOLERANCES ARE +/- 1[0.039] SCALE:1:5	Wall Cabinet 30in SCALE:1:5 SHEET 1 OF 1