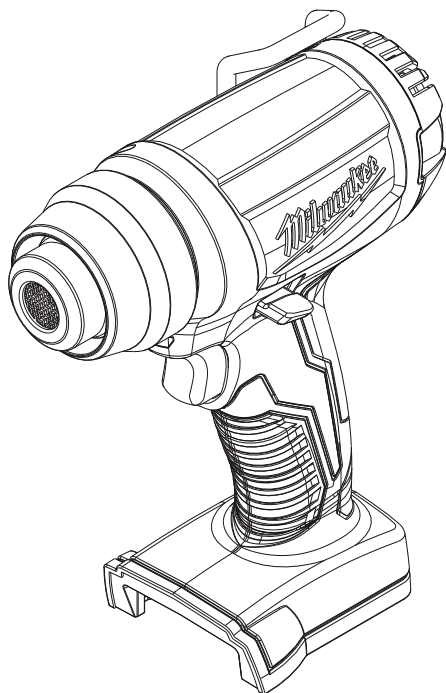




OPERATOR'S MANUAL
MANUEL de L'UTILISATEUR
MANUAL del OPERADOR



Cat. No. / No de cat.
2688-20

M18™ COMPACT HEAT GUN
COMPACT PISTOLET À DÉCAPER DE M18™
COMPACTO PISTOLA DE CALOR DE M18™



WARNING To reduce the risk of injury, user must read and understand operator's manual.

AVERTISSEMENT Afin de réduire le risque de blessures, l'utilisateur doit lire et bien comprendre le manuel.

ADVERTENCIA Para reducir el riesgo de lesiones, el usuario debe leer y entender el manual.

GENERAL POWER TOOL SAFETY WARNINGS

⚠WARNING Read all safety warnings, instructions, illustrations and specifications provided with this power tool. Failure to follow all instructions listed below may result in electric shock, fire and/or serious injury. **Save all warnings and instructions for future reference.** The term "power tool" in the warnings refers to your mains-operated (corded) power tool or battery-operated (cordless) power tool.

WORK AREA SAFETY

- **Keep work area clean and well lit.** Cluttered or dark areas invite accidents.
- **Do not operate power tools in explosive atmospheres, such as in the presence of flammable liquids, gases or dust.** Power tools create sparks which may ignite the dust or fumes.
- **Keep children and bystanders away while operating a power tool.** Distractions can cause you to lose control.

ELECTRICAL SAFETY

- **Avoid body contact with earthed or grounded surfaces, such as pipes, radiators, ranges and refrigerators.** There is an increased risk of electric shock if your body is earthed or grounded.
- **Indoor Use. Do not expose power tools to rain or wet conditions.** Water entering a power tool will increase the risk of electric shock.

PERSONAL SAFETY

- **Stay alert, watch what you are doing and use common sense when operating a power tool. Do not use a power tool while you are tired or under the influence of drugs, alcohol or medication.** A moment of inattention while operating power tools may result in serious personal injury.
- **Use personal protective equipment. Always wear eye protection.** Protective equipment such as a dust mask, non-skid safety shoes, hard hat or hearing protection used for appropriate conditions will reduce personal injuries.
- **Prevent unintentional starting. Ensure the switch is in the off-position before connecting to power source and/or battery pack, picking up or carrying the tool.** Carrying power tools with your finger on the switch or energizing power tools that have the switch on invites accidents.
- **Do not overreach. Keep proper footing and balance at all times.** This enables better control of the power tool in unexpected situations.
- **Dress properly. Do not wear loose clothing or jewelry. Keep your hair and clothing away from moving parts.** Loose clothes, jewelry or long hair can be caught in moving parts.
- **If devices are provided for the connection of dust extraction and collection facilities, ensure these are connected and properly used.** Use of dust collection can reduce dust-related hazards.
- **Do not let familiarity gained from frequent use of tools allow you to become complacent and ignore tool safety principles.** A careless action can cause severe injury within a fraction of a second.

POWER TOOL USE AND CARE

- **Do not force the power tool. Use the correct power tool for your application.** The correct power tool will do the job better and safer at the rate for which it was designed.
- **Do not use the power tool if the switch does not turn it on and off.** Any power tool that cannot be controlled with the switch is dangerous and must be repaired.
- **Disconnect the plug from the power source and/or remove the battery pack, if detachable, from the power tool before making any adjustments, changing accessories, or storing power tools.** Such preventive safety measures reduce the risk of starting the power tool accidentally.
- **Store idle power tools out of the reach of children and do not allow persons unfamiliar with the power tool or these instructions to operate the power tool.** Power tools are dangerous in the hands of untrained users.
- **Maintain power tools and accessories. Check for misalignment or binding of moving parts, breakage of parts and any other condition that may affect the power tool's operation. If damaged, have the power tool repaired before use.** Many accidents are caused by poorly maintained power tools.
- **Use the power tool, accessories and tool bits etc. in accordance with these instructions, taking into account the working conditions and the work to be performed.** Use of the power tool for operations different from those intended could result in a hazardous situation.
- **Keep handles and grasping surfaces dry, clean and free from oil and grease.** Slippery handles and grasping surfaces do not allow for safe handling and control of the tool in unexpected situations.

BATTERY TOOL USE AND CARE

- **Recharge only with the charger specified by the manufacturer.** A charger that is suitable for one type of battery pack may create a risk of fire when used with another battery pack.
- **Use power tools only with specifically designated battery packs.** Use of any other battery packs may create a risk of injury and fire.
- **When battery pack is not in use, keep it away from other metal objects, like paper clips, coins, keys, nails, screws or other small metal objects, that can make a connection from one terminal to another.** Shorting the battery terminals together may cause burns or a fire.
- **Under abusive conditions, liquid may be ejected from the battery; avoid contact. If contact accidentally occurs, flush with water. If liquid contacts eyes, additionally seek medical help.** Liquid ejected from the battery may cause irritation or burns.
- **Do not use a battery pack or tool that is damaged or modified.** Damaged or modified batteries may exhibit unpredictable behavior resulting in fire, explosion or risk of injury.
- **Do not expose a battery pack or tool to fire or excessive temperature.** Exposure to fire or temperature above 265°F (130°C) may cause explosion.
- **Follow all charging instructions and do not charge the battery pack or tool outside the temperature range specified in the instructions.** Charging improperly or at temperatures outside the specified range may damage the battery and increase the risk of fire.

SERVICE

- **Have your power tool serviced by a qualified repair person using only identical replacement parts.** This will ensure that the safety of the power tool is maintained.
- **Never service damaged battery packs.** Service of battery packs should only be performed by the manufacturer or authorized service providers.

SPECIFIC SAFETY RULES FOR HEAT GUNS

READ THESE INSTRUCTIONS

- **Know your work environment.** Hidden areas such as behind walls, ceilings, floors, soffit boards and other panels may contain flammable materials that may ignite when using the heat gun in these locations. Ignition of these materials may not be readily apparent and could result in property damage and personal injury. Check these areas before applying heat. If in doubt, use an alternate method. Pausing or lingering in one spot may ignite the panel or the material behind it. Keep heat gun moving to avoid excessive temperatures.
- **Do not direct the heat gun air airflow at clothing, hair or other body parts. Do not use as a hair dryer.** Heat guns can produce 1100°F (593°C) or more of flameless heat at the nozzle. Contact with the air stream could result in personal injury.
- **Do not use near flammable liquids or in explosive atmospheres, such as in the presence of fumes, gases or dust.** The flameless heat from the heat gun may ignite the dust or fumes. Remove materials or debris that may become ignited from work area.
- **Shield materials around the heated area** to prevent property damage or fire.
- **Keep a fire extinguisher nearby.** Heat guns may ignite flammable materials left in the work area.
- **WARNING! Hot Surfaces. Always hold the heat gun by the plastic enclosure. Do not touch nozzle, accessory tips or store heat gun until the nozzle has cooled to room temperature.** The metal nozzle requires approximately 20 minutes to cool before it can be touched. Contact with the nozzle or accessory tip could result in personal injury. Place the heat gun in a clear area away from combustible materials while cooling to prevent flammable materials from igniting.
- **Do not cut off airflow by placing nozzle too close to workpiece.** Keep intake vents clean and clear of obstructions. Restricting airflow may cause the heat gun to overheat.
- **Place the heat gun on a stable, level surface when not hand held.**
- **Do not leave the heat gun unattended while running or cooling down.** Inattention invites accidents.
- **Store indoors in a dry location.** Do not expose to rain or moisture.
- **Do not direct airflow directly on glass.** The glass may crack and could result in property damage or personal injury.
- **Maintain labels and nameplates.** These carry important information. If unreadable or missing, contact a MILWAUKEE service facility for a free replacement.
- **AWARNING** Some dust created by power sanding, sawing, grinding, drilling, and other construction activities contains chemicals known to cause cancer, birth defects or other reproductive harm. Some examples of these chemicals are:
 - lead from lead-based paint

- crystalline silica from bricks and cement and other masonry products, and
- arsenic and chromium from chemically-treated lumber.

Your risk from these exposures varies, depending on how often you do this type of work. To reduce your exposure to these chemicals: work in a well ventilated area, and work with approved safety equipment, such as those dust masks that are specially designed to filter out microscopic particles.

IMPORTANT SAFETY INSTRUCTIONS FOR REMOVING PAINT

AWARNING Use extreme care when stripping paint. Peelings, residue and vapors of paint may contain lead, which is **POISONOUS**. Pre-1977 paint may contain lead and paint made before 1950 is likely to contain lead. Hand to mouth contact with paint peelings or residue from pre-1977 paint may result in lead ingestion. Exposure to even low levels of lead can cause irreversible brain and nervous system damage. Young and unborn children are especially vulnerable to lead poisoning. **DO NOT REMOVE LEAD-BASED PAINT WITH A HEAT GUN.** Before beginning your work, determine whether the paint you are removing contains lead. A local health department or a professional who uses a paint analyzer can check the paint for lead content. **LEAD-BASED PAINT SHOULD BE REMOVED ONLY BY A PROFESSIONAL.**

Persons removing paint should follow these guidelines:




- **Work in a well ventilated area.** If possible, move the workpiece outdoors. If working indoors, open windows and place an exhaust fan in a window. Be sure the fan is moving air from inside to outside. Proper ventilation will reduce the risk of inhaling chemicals found in the fumes or dust created by using a heat gun.
- **Remove or cover any carpets, rugs, furniture, clothing, cooking utensils and air ducts** to prevent property damage from the paint peelings.
- **Place drop cloths in the work area to catch paint scrapings. Wear protective clothing** such as hats, extra work shirts and overalls. Paint scrapings may contain chemicals that are hazardous.
- **Work in one room at a time.** Remove furnishings or cover them and place in the center of the room. Seal doorways with drop cloths to seal work area from the rest of the building.
- **Children, pregnant or potentially pregnant women, and nursing mothers should not be near work area** until all work is completed and work area is cleaned thoroughly.
- **Wear a dust respirator mask or a dual filter (dust and fume) respirator mask** which has been approved by the Occupational Safety and Health Administration (OSHA), the National Institute of Safety and Health (NIOSH), or the United States Bureau of Mines. These masks and replaceable filters are readily available at major hardware stores. Be sure the mask fits. Beards and facial hair may keep masks from sealing properly. Change filters often. **DISPOSABLE PAPER MASKS ARE NOT ADEQUATE.**
- **Use caution when operating the heat gun.** Keep the heat gun moving to prevent excessive temperatures. Excessive heat can cause paint and other

materials to burn and cause fumes, which may be inhaled by the operator.

- **Keep work environment clean.** Keep food and drink away from work area. Wash hands, arms and face and rinse mouth before eating and drinking. Do not smoke, or chew gum or tobacco in the work area. Paint scrapings and dust created from removing paint may contain chemicals that are hazardous.
- **Clean up all paint scraping and dust. DO NOT SWEEP, DRY DUST OR VACUUM.** Wet mop floors. Use a wet cloth to clean all walls, sills and other surfaces where paint and dust have accumulated. Use a high phosphate detergent, trisodium phosphate (TSP), or a trisodium phosphate substitute to clean and mop the work area.
- **Dispose of paint scrapings properly.** Following each work session, place paint scrapings in a double plastic bag, close it with tape or twist ties and dispose.
- **Remove protective clothing and work shoes in the work area to avoid transferring dust to other parts of the building.** Wash work clothes separately. Wipe shoes off with a wet rag that is then washed with the work clothes. Wash hair and body thoroughly with soap and water.

SAVE THESE INSTRUCTIONS

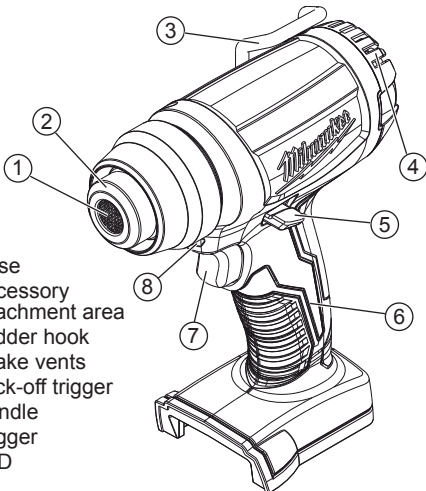
SYMBOLGY

-  Volts
-  Direct Current
-  UL Listing for Canada and U.S.

SPECIFICATIONS

| | |
|--|------------------|
| Cat. No..... | 2688-20 |
| Volts..... | 18 DC |
| Battery Type..... | M18™ |
| Charger Type..... | M18™ |
| Temperature..... | 1000° F (537° C) |
| Airflow..... | 6 CFM |
| Recommended Ambient Operating Temperature..... | 0°F to 125°F |

FUNCTIONAL DESCRIPTION



- 1. Nose
- 2. Accessory attachment area
- 3. Ladder hook
- 4. Intake vents
- 5. Lock-off trigger
- 6. Handle
- 7. Trigger
- 8. LED

ASSEMBLY

⚠ WARNING Recharge only with the charger specified for the battery. For specific charging instructions, read the operator's manual supplied with your charger and battery.

Removing/Inserting the Battery

To **remove** the battery, push in the release buttons and pull the battery pack away from the tool.

⚠ WARNING Always remove battery pack before changing or removing accessories.

To **insert** the battery, slide the pack into the body of the tool. Make sure it latches securely into place.

⚠ WARNING Only use accessories specifically recommended for this tool. Others may be hazardous.

To **reduce the risk of injury, do not remove or attach accessory tips until tool has cooled to room temperature.**

Installing/Removing Nozzles

1. To **install**, slide the nozzle onto the heat gun nose and twist it into place.
2. Adjust distance from work and length of application as necessary.
3. To **remove**, allow tool to cool to room temperature, then twist and pull the nozzle away from tool.

OPERATION

⚠ WARNING To reduce the risk of injury, always unplug tool before attaching or removing accessories or making adjustments. Use only specifically recommended accessories. Others may be hazardous.

To **reduce the risk of injury, always wear safety goggles or glasses with side shields.**

To **reduce the risk of injury, do not remove or attach accessory tips until tool has cooled to room temperature.**

Turning On/Off

The proper amount of heat for each application depends on the distance between the nozzle and workpiece, and the length of time heat is applied. Experiment with scrap materials. Be cautious when working until the proper combination of distance and time of application has been obtained. Use a back and forth motion when applying heat unless concentrated heat is desirable. When done, place the tool upright on a flat surface, so the heat gun won't tip to allow the nozzle to cool.

1. To turn the tool **ON**, press the lock-off trigger down and pull the trigger.
2. To turn the tool **OFF**, release the trigger.

APPLICATIONS

⚠WARNING To reduce the risk of injury, do not remove or attach accessory tips until tool has cooled to room temperature.

Types of Nozzles

- Hook Nozzle - Surrounding heat for thin pipe welding, soft soldering copper pipes, tube shaping and shrinking of shrink tubes.
- Air Reduction Nozzle - Intensified, spot directed heat for corners, plexiglas bending and soldering.
- Deflector Nozzle - Deflected heat protects glass window panes when removing paint and putty.
- Air Spreader Nozzle - Directs heat over large areas for drying, removing paint, floor coverings, and vinyl tops.

Removing Paint

WARNING! Read safety instructions for removing paint before proceeding with paint removal.

1. Place nozzle approximately 1" away from work surface.
2. Pass nozzle back and forth over a small area of workpiece.
3. When paint starts to blister, then remove heat.
4. Remove paint using a sharp-edged putty knife.

Heat Shrinking

1. Attach an air reduction or hook nozzle to the heat gun.
2. To heat shrink tubing, apply heat to the workpiece using a side to side motion until tubing has shrunk. Remove heat immediately.

MAINTENANCE

⚠WARNING To reduce the risk of injury, always unplug the charger and remove the battery pack from the charger or tool before performing any maintenance. Never disassemble the tool, battery pack or charger. Contact a MILWAUKEE service facility for ALL repairs.

Maintaining Tool

Keep your tool, battery pack and charger in good repair by adopting a regular maintenance program. Inspect your tool for issues such as undue noise, misalignment or binding of moving parts, breakage of parts, or any other condition that may affect the tool operation. Return the tool, battery pack, and charger to a MILWAUKEE service facility for repair. After six months to one year, depending on use, return the tool, battery pack and charger to a MILWAUKEE service facility for inspection.

If the tool does not start or operate at full power with a fully charged battery pack, clean the contacts on the battery pack. If the tool still does not work properly, return the tool, charger and battery pack, to a MILWAUKEE service facility for repairs.

⚠WARNING To reduce the risk of personal injury and damage, never immerse your tool, battery pack or charger in liquid or allow a liquid to flow inside them.

Cleaning

Clean dust and debris from vents. Keep handles clean, dry and free of oil or grease. Use only mild soap and a damp cloth to clean, since certain cleaning agents and solvents are harmful to plastics and other insulated parts. Some of these include gasoline, turpentine, lacquer thinner, paint thinner, chlorinated cleaning solvents, ammonia and household detergents containing ammonia. Never use flammable or combustible solvents around tools.

Repairs

For repairs, return the tool, battery pack and charger to the nearest service center.

ACCESSORIES

⚠WARNING Use only recommended accessories. Others may be hazardous.

For a complete listing of accessories, go online to www.milwaukeetool.com or contact a distributor.

SERVICE - UNITED STATES

1-800-SAWDUST (1.800.729.3878)

Monday-Friday, 7:00 AM - 6:30 PM CST

or visit www.milwaukeetool.com

Contact Corporate After Sales Service Technical Support with technical, service/repair, or warranty questions.

Email: metproductsupport@milwaukeetool.com

Become a Heavy Duty Club Member at www.milwaukeetool.com to receive important notifications regarding your tool purchases.

SERVICE - CANADA

Milwaukee Tool (Canada) Ltd

1.800.268.4015

Monday-Friday, 7:00 AM - 4:30 PM CST

or visit www.milwaukeetool.ca

LIMITED WARRANTY USA & CANADA

Every MILWAUKEE power tool* (see exceptions below) is warranted to the original purchaser only to be free from defects in material and workmanship. Subject to certain exceptions, MILWAUKEE will repair or replace any part on an electric power tool which, after examination, is determined by MILWAUKEE to be defective in material or workmanship for a period of five (5) years** after the date of purchase unless otherwise noted. Return of the power tool to a MILWAUKEE factory Service Center location or MILWAUKEE Authorized Service Station, freight prepaid and insured, is required. A copy of the proof of purchase should be included with the return product. This warranty does not apply to damage that MILWAUKEE determines to be from repairs made or attempted by anyone other than MILWAUKEE authorized personnel, misuse, alterations, abuse, normal wear and tear, lack of maintenance, or accidents.

Normal Wear: Many power tools need periodic parts replacement and service to achieve best performance. This warranty does not cover repair when normal use has exhausted the life of a part including, but not limited to, chucks, brushes, cords, saw shoes, blade clamps, o-rings, seals, bumpers, driver blades, pistons, strikers, lifters, and bumper cover washers.

This warranty does not cover Air Nailers & Staplers; Airless Paint Sprayer; Cordless Battery Packs; Gasoline Driven Portable Power Generators; Hand Tools; Hoist - Electric, Lever & Hand Chain; M12™ Heated Gear; Reconditioned Product; and Test & Measurement Products. There are separate and distinct warranties available for these products.

**The warranty period for Job Site Radios, M12™ Power Port, M18™ Power Source, Jobsite Fan and Trade Titan™ Industrial Work Carts is one (1) year from the date of purchase. The warranty period for the Drain Cleaning Cables is two (2) years from the date of purchase. The warranty period for the M18™ Compact Heat Gun is three (3) years from the date of purchase. The warranty period for the LED in the LED Work Light and the LED Upgrade Bulb for the Work Light is the lifetime of the product subject to the limitations above. If during normal use the LED or LED Bulb fails, the part will be replaced free of charge.

Warranty Registration is not necessary to obtain the applicable warranty on a MILWAUKEE power tool product. The manufacturing date of the product will be used to determine the warranty period if no proof of purchase is provided at the time warranty service is requested. ACCEPTANCE OF THE EXCLUSIVE REPAIR AND REPLACEMENT REMEDIES DESCRIBED HEREIN IS A CONDITION OF THE CONTRACT FOR THE PURCHASE OF EVERY MILWAUKEE PRODUCT. IF YOU DO NOT AGREE TO THIS CONDITION, YOU SHOULD NOT PURCHASE THE PRODUCT. IN NO EVENT SHALL MILWAUKEE BE LIABLE FOR ANY INCIDENTAL, SPECIAL, CONSEQUENTIAL OR PUNITIVE DAMAGES, OR FOR ANY COSTS, ATTORNEY FEES, EXPENSES, LOSSES OR DELAYS ALLEGED TO BE AS A CONSEQUENCE OF ANY DAMAGE TO, FAILURE OF, OR DEFECT IN ANY PRODUCT INCLUDING, BUT NOT LIMITED TO, ANY CLAIMS FOR LOSS OF PROFITS. SOME STATES DO NOT ALLOW THE EXCLUSION OR LIMITATION OF INCIDENTAL OR CONSEQUENTIAL DAMAGES, SO THE ABOVE LIMITATION OR EXCLUSION MAY NOT APPLY TO YOU. THIS WARRANTY IS EXCLUSIVE AND IN LIEU OF ALL OTHER EXPRESS WARRANTIES, WRITTEN OR ORAL TO THE EXTENT PERMITTED BY LAW, MILWAUKEE DISCLAIMS ANY IMPLIED WARRANTIES, INCLUDING WITHOUT LIMITATION ANY IMPLIED WARRANTY OF MERCHANTABILITY OR FITNESS FOR A PARTICULAR USE OR PURPOSE, TO THE EXTENT SUCH DISCLAIMER IS NOT PERMITTED BY LAW, SUCH IMPLIED WARRANTIES ARE LIMITED TO THE DURATION OF THE APPLICABLE EXPRESS WARRANTY AS DESCRIBED ABOVE. SOME STATES DO NOT ALLOW LIMITATIONS ON HOW LONG AN IMPLIED WARRANTY LASTS, SO THE ABOVE LIMITATION MAY NOT APPLY TO YOU. THIS WARRANTY GIVES YOU SPECIFIC LEGAL RIGHTS, AND YOU MAY ALSO HAVE OTHER RIGHTS WHICH VARY FROM STATE TO STATE.

This warranty applies to product sold in the U.S.A. and Canada only. Please consult the 'Service Center Search' in the Parts & Service section of MILWAUKEE's website www.milwaukeetool.com or call 1.800.SAWDUST (1.800.729.3878) to locate your nearest service facility for warranty and non-warranty service on a Milwaukee electric power tool.

LIMITED WARRANTY - MEXICO, CENTRAL AMERICA & CARIBBEAN

TECHTRONIC INDUSTRIES' warranty is for 5 years since the original purchase date.

This warranty card covers any defect in material and workmanship on this Product.

To make this warranty valid, present this warranty card, sealed/stamped by the distributor or store where you purchased the product, to the Authorized Service Center (ASC). Or, if this card has not been sealed/stamped, present the original proof of purchase to the ASC. Call toll-free 01 (800) 030-7777 to find the nearest ASC, for service, parts, accessories or components.

Procedure to make this warranty valid

Take the product to the ASC, along with the warranty card sealed/stamped by the distributor or store where you purchased the product, and any faulty piece or component will be replaced without cost for you. We will cover all freight costs relative with this warranty process.

Exceptions

This warranty is not valid in the following situations

- When the product is used in a different manner from the end-user guide or instruction manual.
- When the conditions of use are not normal.
- When the product was modified or repaired by people not authorized by TECHTRONIC INDUSTRIES.

Note: If cord set is damaged, it should be replaced by an Authorized Service Center to avoid electric risks.

SERVICE AND ATTENTION CENTER

Call to 01 (800) 030-7777

IMPORTED AND COMMERCIALIZED BY
TECHTRONIC INDUSTRIES MEXICO, SA DE CV
Av President Masarik #29 piso 7, Col. Polanco V Sección
CP 11560, Deleg. Miguel Hidalgo, CDMX

RÈGLES DE SÉCURITÉ GÉNÉRALES RELATIVES AUX OUTILS ÉLECTRIQUES

⚠ AVERTISSEMENT Lire toutes les consignes de sécurité, consignes, illustrations et spécifications fournies avec cet outil électrique. Ne pas suivre l'ensemble des règles et instructions peut entraîner une électrocution, un incendie ou des blessures graves. **Conserver les règles et les instructions à des fins de référence ultérieure.** Le terme «outil électrique» figurant dans les avertissements ci-dessous renvoie à l'outil électrique à alimentation par le réseau (à cordon) ou par batterie (sans fil).

SÉCURITÉ DU LIEU DE TRAVAIL

- **Veillez à ce que l'aire de travail soit propre et bien éclairée.** Le désordre et le manque de lumière favorisent les accidents.
- **Ne pas utiliser d'outils électriques dans des atmosphères explosives, par exemple en présence de liquides, gaz ou poussières inflammables.** Les outils électriques produisent des étincelles risquant d'enflammer les poussières ou vapeurs.
- **S'assurer que les enfants et les curieux se trouvent à une bonne distance au moment d'utiliser un outil électrique.** Les distractions peuvent causer une perte de contrôle.

SÉCURITÉ ÉLECTRIQUE

- **Éviter tout contact avec des surfaces mises à la terre comme des tuyaux, des radiateurs, des cuisinières et des réfrigérateurs.** Le risque de choc électrique est accru lorsque le corps est mis à la terre.
- **Utilisation en intérieur. Ne pas exposer les outils électriques à l'eau ou l'humidité.** La pénétration d'eau dans ces outils accroît le risque de choc électrique.

SÉCURITÉ INDIVIDUELLE

- **Rester attentif, prêter attention au travail et faire preuve de bon sens lors de l'utilisation de tout outil électrique. Ne pas utiliser cet appareil en cas de fatigue ou sous l'influence de l'alcool, de drogues ou de médicaments.** Un moment d'inattention pendant l'utilisation d'un outil électrique peut entraîner des blessures graves.
- **Porter l'équipement de protection individuel requis. Toujours porter une protection oculaire.** Selon les conditions, porter aussi un masque antipoussières, des bottes de sécurité antidérapantes, un casque protecteur ou une protection auditive afin de réduire les blessures.
- **Empêcher les démarrages accidentels. S'assurer que la gâchette est en position d'arrêt avant de brancher l'outil à une source de courant, d'insérer la batterie, de le ramasser ou de le transporter.** Le fait de transporter un outil électrique en gardant le doigt sur la gâchette ou de mettre sous tension un outil électrique lorsque la gâchette est en position de marche favorise les accidents.
- **Ne pas travailler hors de portée. Toujours se tenir bien campé et en équilibre.** Une bonne stabilité procure un meilleur contrôle de l'outil électrique en cas d'imprévu.
- **Porter une tenue appropriée. Ne porter ni vêtements amples, ni bijoux. Garder les cheveux et les vêtements à l'écart des pièces en mouvement.** Les vêtements flottants, les bijoux ou les cheveux longs risquent d'être happés par les pièces en mouvement.
- **Si les outils sont équipés de dispositifs de dépoussiérage, s'assurer qu'ils sont connectés et correctement utilisés.** L'utilisation d'un collecteur de poussière permet de réduire les dangers liés à la poussière.

Model: _____

Date of Purchase: _____

Distributor or Store Stamp: _____

• **Ne pas laisser la familiarité avec l'outil acquise par une utilisation fréquente vous rendre suffisant et vous amener à ignorer les règles de sécurité.** Une utilisation négligée peut causer une blessure grave en une fraction de seconde.

UTILISATION ET ENTRETIEN DE L'OUTIL ÉLECTRIQUE

- **Ne pas forcer l'outil électrique. Utiliser l'outil électrique approprié pour l'application.** Un outil électrique approprié exécutera le travail mieux et de façon moins dangereuse s'il est utilisé dans les limites prévues.
- **Ne pas utiliser l'outil électrique si le commutateur ne permet pas de le mettre en marche ou de l'arrêter.** Tout outil électrique qui ne peut pas être contrôlé par son commutateur est dangereux et doit être réparé.
- **Débrancher l'outil et/ou retirer le bloc-piles, si possible, avant d'effectuer des réglages, de changer d'accessoire ou de remettre l'outil.** Ces mesures de sécurité préventives réduisent les risques de démarrage accidentel de l'outil.
- **Entreposer l'outil électrique hors de la portée des enfants et interdire à quiconque de l'utiliser si la personne ne connaît pas bien le produit ou les instructions.** Les outils électriques sont dangereux dans les mains d'utilisateurs novices.
- **Entretenir les outils électriques et les accessoires.** Vérifier qu'aucune pièce mobile n'est mal alignée ou bloquée, qu'aucune pièce n'est brisée et s'assurer qu'aucun autre problème risque d'affecter le bon fonctionnement de l'outil. En cas de dommages, faire réparer l'outil avant de l'utiliser. Plusieurs accidents sont causés par des produits mal entretenus.
- **Utiliser l'outil électrique, les accessoires, les embouts etc. conformément à ces instructions en tenant compte des conditions de travail et de la tâche à effectuer.** L'usage d'un outil électrique pour des applications pour lesquelles il n'est pas conçu peut être dangereux.
- **Garder les poignées et les surfaces de préhension sèches, propres et exemptes d'huile ou de graisse.** Des poignées et des surfaces de préhension glissantes ne permettent pas de manipuler et de contrôler l'outil en toute sécurité en cas de situation imprévue.

UTILISATION ET ENTRETIEN DE LA BATTERIE

- **Pour recharger le bloc-piles, utiliser seulement le chargeur spécifié par le fabricant.** Un chargeur pouvant convenir à un type de bloc-piles peut entraîner un risque d'incendie lorsqu'il est utilisé avec un autre type de bloc-piles.
- **N'utiliser l'outil électrique qu'avec une batterie recommandée.** L'utilisation de tout autre bloc-piles peut créer un risque de blessures et d'incendie.
- **Lorsque le bloc-piles n'est pas utilisé, le tenir éloigné des objets en métal tels que les trombones, les pièces de monnaie, les clés, les clous, les vis ou d'autres petits objets métalliques qui pourraient connecter les bornes.** Le court-circuitage des bornes d'une pile peut entraîner des brûlures ou un incendie.
- **Éviter tout contact avec le liquide pouvant être éjecté de la pile en cas de manutention abusive.** En cas de contact accidentel, rincer immédiatement les parties atteintes avec de l'eau. Si le liquide entre en contact avec les yeux, consulter un médecin. Le liquide éjecté des piles peut causer des irritations ou des brûlures.

• **N'utiliser aucun bloc-piles ni aucun outil ayant été endommagé ou modifié.** Des piles endommagées ou modifiées peuvent adopter un comportement imprévisible pouvant causer un incendie, une explosion ou le risque de blessures.

- **Ne pas exposer le bloc-piles ou l'outil aux flammes ou à une température excessive.** Une exposition aux flammes ou à une température supérieure à 130°C (265°F) peut causer une explosion.
- **Suivre toutes les instructions de charge et ne pas charger le bloc-piles ou l'outil en dehors de la plage de température spécifiée.** Une charge incorrecte ou à des températures en dehors de la plage spécifiée peut endommager la pile et augmenter le risque d'incendie.

ENTRETIEN

- **Les réparations de l'outil électrique doivent être confiées à un technicien qualifié, utilisant exclusivement des pièces identiques à celles d'origine.** Le maintien de la sûreté de l'outil électrique sera ainsi assuré.
- **Ne jamais effectuer la réparation d'un bloc-piles endommagé.** La réparation du bloc-piles doit être réalisée par le fabricant ou les fournisseurs de service agréés uniquement.

RÈGLES DE SÉCURITÉ SPÉCIFIQUES POUR PISTOLETS À DÉCAPER

LIRE TOUTES LES RÈGLES ET INSTRUCTIONS DE SÉCURITÉ

- **Inspectez votre aire de travail.** Les endroits invisibles derrière les murs, plafonds, planchers et soffites peuvent contenir des matières inflammables qui pourraient s'enflammer au contact du débit d'air chaud. L'ignition de telles matières peut être imprévisible et causer des pertes matérielles et des blessures corporelles. Inspectez minutieusement votre environnement avant d'appliquer le débit d'air chaud et en cas de doute, employez une méthode alternative. L'application prolongée du débit d'air chaud au même endroit peut mettre le feu au matériau et aux matières se trouvant derrière. Déplacez constamment le pistolet pour éviter la surchauffe.
- **Ne dirigez pas le débit d'air du pistolet à décaper vers les vêtements ou des parties du corps et n'utilisez pas le pistolet comme séchoir à cheveux.** Les pistolets à décaper peuvent dégager 593°C (1100°F) et plus de chaleur sans flamme au bec et le contact du débit d'air chaud avec la peau pourrait causer des blessures graves.
- **N'employez pas le pistolet à décaper près des liquides inflammables ou dans un environnement explosif (fumées, gaz ou poussières), la chaleur dégagée par le pistolet à décaper pourrait enflammer la poussière ou les fumées.** Débarrassez le lieu de travail des débris qui pourraient s'enflammer.
- **Placez un écran protecteur autour de l'endroit à chauffer** afin de prévenir tout risque d'incendie ou de dommage à la propriété.
- **Gardez un extincteur d'incendie à votre portée.** Le pistolet à décaper peut enflammer les matériaux dans l'aire de travail.
- **AVERTISSEMENT!: Surface chaude.. Tenez toujours l'outil par son boîtier de plastique.** Pour prévenir des blessures corporelles, évitez tout contact avec le bec de l'outil ou les accessoires et ne rangez pas l'outil avant qu'ils ne soit refroidi à la température ambiante. Le bec métallique de l'outil prend environ 20 minutes à se refroidir au point que l'on puisse y toucher. Tant qu'il ne sera pas refroidi, placez l'outil dans un endroit éclairé à l'écart des matériaux inflammables.

- **Ne bloquez pas la circulation d'air en approchant le bec de l'outil trop près de la surface à décapier.** Pour éviter la surchauffe de l'outil, gardez les événements d'admission d'air propres et exempts d'obstructions.
- **Posez l'outil solidement appuyé sur une surface plane lorsque vous ne le tenez pas entre vos mains.**
- **N'abandonnez pas l'outil pendant qu'il est en marche ou qu'il se refroidit.** Le manque d'attention peut causer des accidents.
- **L'outil à l'intérieur, dans un endroit sec.** N'éposez pas l'outil à la pluie ou à l'humidité.
- **Ne dirigez pas le débit d'air chaud directement contre une vitre.** Le verre pourrait éclater et causer des dommages et blessures corporelles.
- **Maintenez en l'état les étiquettes et les plaques d'identification.** Des informations importantes y figurent. Si elles sont illisibles ou manquantes, contactez un centre de services et d'entretien MILWAUKEE pour un remplacement gratuit.

AVERTISSEMENT Certaines poussières générées par les activités de ponçage, de coupe, de rectification, de perçage et d'autres activités de construction contiennent des substances considérées être la cause de malformations congénitales et de troubles de l'appareil reproducteur. Parmi ces substances figurent:

- le plomb contenu dans les peintures à base de plomb;
- la silice cristalline des briques, du ciment et d'autres matériaux de maçonnerie, ainsi que
- l'arsenic et le chrome des sciages traités chimiquement. Les risques encourus par l'opérateur envers ces expositions varient en fonction de la fréquence de ce type de travail. Pour réduire l'exposition à ces substances chimiques, l'opérateur doit travailler dans une zone bien ventilée et porter l'équipement de sécurité approprié, tel qu'un masque anti-poussière spécialement conçu pour filtrer les particules microscopiques.

INSTRUCTIONS DE SÉCURITÉ POUR DÉCAPER LA PEINTURE

AVERTISSEMENT Soyez extrêmement prudent lorsque vous décapez de la peinture. Les écaïlles, les résidus et les vapeurs de peinture peuvent contenir du plomb. **C'EST UN POISON.** Les peintures fabriquées avant 1977 sont susceptibles d'en contenir et les peintures datant d'avant 1950 contiennent aussi du plomb. Le contact des mains ou de la bouche avec des écaïlles ou des résidus de peinture datant d'avant 1977 peut favoriser l'ingestion de plomb et l'exposition au plomb, même en faible quantité, peut causer des dommages irréversibles au cerveau et au système nerveux. Le bébé et l'enfant à naître sont des sujets particulièrement vulnérables à l'empoisonnement par le plomb. **NE DÉCAPEZ PAS DE LA PEINTURE AU PLOMB AVEC UN PISTOLET À DÉCAPER.** Avant de commencer le décapage, adressez-vous au Département de santé communautaire de votre quartier ou à un professionnel pour faire analyser la peinture et déterminer si elle contient du plomb. **LES PEINTURES AU PLOMB DEVRAIENT ÊTRE DÉCAPÉES UNIQUEMENT PAR UN PROFESSIONNEL DU MÉTIER.**

Les personnes enlevant la peinture devraient suivre ces directives :

- **Aérez bien le lieu du décapage.** Si possible, transportez l'objet à décaper à l'extérieur. Si vous devez le faire à l'intérieur, ouvrez les fenêtres et installez

- un ventilateur dans l'une d'elle. Assurez-vous que le ventilateur évacue l'air de la pièce, une bonne ventilation réduira les risques d'inhalation des substances chimiques contenues dans la poussière et les fumées occasionnées par le décapage à la chaleur.
- **Enlevez ou couvrez les tapis, carpettes, meubles, vêtements, ustensiles de cuisine et conduites d'air** pour les protéger des écaïlles de peinture.
- **Étendez des bâches sur l'aire de travail pour capter les écaïlles de peinture. Portez des vêtements de protection :** chapeau, chemise et salopettes de travail. Les écaïlles de peinture peuvent contenir des substances chimiques nocives.
- **Travaillez dans une seule pièce à la fois.** Enlevez les meubles ou couvrez-les après les avoir placés au centre de la pièce. Bouchez les ouvertures avec des bâches pour isoler le lieu de travail des autres pièces de l'immeuble.
- **Les enfants, les femmes enceintes ou en âge de procréer et les mères qui allaitent** ne doivent pas s'approcher de l'endroit où a lieu le décapage avant qu'il ne soit complété et que le nettoyage à fond ne soit terminé.
- **Portez un masque antipoussière ou à double action (poussière et vapeurs)** dûment approuvé par l'OSHA, le National Institute of Safety and Health (NIOSH), le United States Bureau of Mines ou par les organismes canadiens de santé et sécurité au travail (SIMDUT, CSST etc.). Ces masques sont pourvus d'un filtre remplaçable et vous pouvez vous les procurer dans la majorité des quincailleries. Assurez-vous que le masque adhère bien à la figure. La barbe et les cheveux pourraient nuire à son étanchéité. Remplacez fréquemment le filtre. **LES MASQUES JETABLES EN PAPIER NE SONT PAS ADEQUATS.**
- **Soyez prudent lorsque vous utilisez le pistolet à décaper.** Tenez le pistolet en mouvement pour éviter la surchauffe. Une température excessive peut brûler la peinture et le matériau qu'elle recouvre et dégager une vapeur nocive qui pourrait être inhalée.
- **Gardez l'aire de travail propre.** Tenez la nourriture et les boissons à l'écart du lieu de travail. Lavez-vous les mains, les bras et la figure et rincez-vous la bouche avant de manger ou de boire. Ne fumez pas et ne mâchez pas de gomme ou de tabac dans l'aire de travail. Les écaïlles de peinture et la poussière émanant du décapage peuvent contenir des substances chimiques nocives.
- **Évacuez les rognures et la poussière de peinture. NE BALAYEZ PAS, N'ÉPOUSSEZ PAS ET NE VOUS SERVEZ PAS D'UN ASPIRATEUR.** Passez une vadrouille humide sur le plancher. Nettoyez les murs, seuils, appuis de fenêtres et autres surfaces à l'aide d'un chiffon humide. Employez un détergent à haute teneur de phosphate, de phosphate trisodique (TSP) ou d'un succédané pour nettoyer l'aire de travail.
- **Disposez des rognures de peinture selon les règles.** Après le travail, placez les rognures de peinture dans un sac de plastique doublé, scellez-le avec un ruban adhésif ou nouez-en le col avant d'en disposer.
- **Enlevez vos vêtements de protection et vos chaussures de travail avant de quitter l'aire de travail, afin d'éviter de contaminer d'autres parties de l'immeuble.** Lavez vos vêtements de travail séparément. essuyez les chaussures avec un chiffon humide que vous laverez avec vos vêtements de travail. Lavez vos cheveux et votre corps à fond avec de l'eau et du savon.

CONSERVER LES RÈGLES ET LES INSTRUCTIONS

PICTOGRAPHIE



Volts

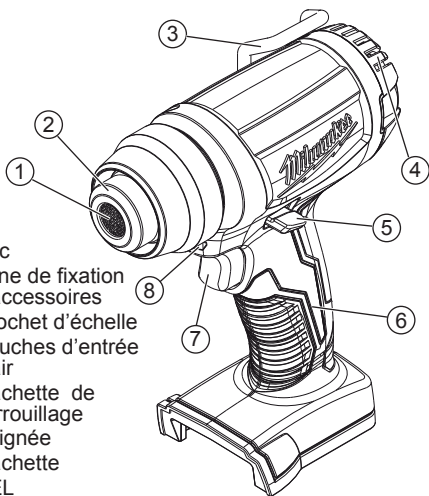


Courant direct



UL Listing Mark pour
Canada et États-unis

DESCRIPTION FONCTIONNELLE



1. Bec
2. Zone de fixation d'accessoires
3. Crochet d'échelle
4. Bouches d'entrée d'air
5. Gâchette de verrouillage
6. Poignée
7. Gâchette
8. DEL

SPECIFICATIONS

| | |
|---|----------------------------|
| No de Cat..... | 2688-20 |
| Volts..... | 18 CD |
| Type de batterie..... | M18™ |
| Type de chargeur..... | M18™ |
| Température..... | 537°C (1 000°F) |
| Débit d'air..... | 6 CFM |
| Température ambiante de fonctionnement recommandée..... | -18°C à 50°C (0°F à 125°F) |

MONTAGE DE L'OUTIL

AVERTISSEMENT Ne recharger la batterie qu'avec le chargeur spécifié. Pour les instructions de charge spécifiques, lire le manuel d'utilisation fourni avec le chargeur et les batteries.

Insertion/Retrait de la batterie

Pour retirer la batterie, enfoncer les boutons de déverrouillage et la tirer hors de l'outil.

AVERTISSEMENT Il faut toujours retirer la batterie et verrouiller la détente de l'outil avant de changer ou d'enlever les accessoires.

Pour insérer la batterie, la glisser dans le corps de l'outil. S'assurer qu'elle est fixée solidement.

AVERTISSEMENT L'emploi d'accessoires autres que ceux qui sont expressément recommandés pour cet outil peut comporter des risques.

Pour minimiser les risques de blessures, attendez que l'outil soit refroidi à la température ambiante avant d'enlever les accessoires.

Installation et retrait des buses

1. Pour **poser** la buse, la glisser sur le bec du pistolet et la tourner pour la bloquer en place.
2. Ajuster la distance de la pièce et la durée d'application selon le besoin.
3. Avant de **déposer** la buse, attendre que l'outil soit refroidi à la température de la pièce et la tourner pour la débloquer de l'outil.

MANIEMENT

AVERTISSEMENT Pour minimiser les risques de blessures, débranchez toujours l'outil avant d'y faire des réglages, d'y attacher ou d'en enlever les accessoires. L'usage d'accessoires autres que ceux qui sont spécifiquement recommandés pour cet outil peut comporter des risques.

Pour minimiser les risques de blessures, portez des lunettes à coques latérales.

Mise en marche et arrêt

La quantité appropriée de chaleur pour chaque application dépend de la distance entre la buse et la pièce à travailler, et de la durée pendant laquelle la chaleur est appliquée. Effectuer des essais sur des matériaux de rebut. Travailler prudemment jusqu'à ce que la combinaison appropriée de distance et de durée d'application soit atteinte. Effectuer un mouvement de va-et-vient pendant l'application de la chaleur à moins qu'une chaleur concentrée soit souhaitable. Quand vous êtes fait, toujours poser l'outil sur une surface plane, et placer de façon à éviter de renverser le pistolet thermique jusqu'à ce que la buse est frais.

1. Pour mettre l'outil **EN** marche, descendre le bouton de verrouillage et appuyer sur la gâchette.
2. Pour mettre l'outil **HORS** fonction, relâcher la gâchette.

APPLICATIONS

AVERTISSEMENT Afin de minimiser les risques d'incendie, dommages matériels ou blessures corporelles, placez un écran protecteur entre l'aire de chauffe et les matériaux combustibles ou les surfaces adjacentes. Protégez-vous et protégez les autres contre les rognures de peinture chaudes et gaz ou poussières.

Types de buses

- Buse d'angle : chaleur environnante pour la soudure de tuyaux fins, le brasage tendre de tubes en cuivre, le façonnage de tubes ou la réduction de manchons rétractables.
- Buse de réduction d'air : chaleur intensifiée, orientable pour les angles, le pliage ou la soudure du plexiglas.
- Buse à miroir : chaleur déviée qui protège les fenêtres vitrées lors du retrait de la peinture ou du mastic.
- Buse de distribution d'air : oriente la chaleur sur de grandes surfaces pour le séchage, le retrait de peinture, les revêtements de sol et les finitions en vinyle.

Retrait de peinture

AVERTISSEMENT! Lire les instructions de sécurité concernées avant de procéder au retrait de la peinture.

1. Mettre la buse à environ 25 mm (1") de la surface de travail.
2. Passer l'outil allant venant sur une petite section de la pièce à travailler.
3. Quand peinture forme des cloques, retirer la source de chaleur.
4. Enlever la peinture au moyen d'un couteau à mastiquer à arêtes vives.

Thermorétraction

1. Fixer la buse de réduction d'air ou la buse d'angle sur le pistolet thermique.
2. Pour réchauffer une gaine thermorétractable, appliquer de la chaleur par un mouvement d'un côté à l'autre jusqu'à ce que la gaine soit rétractée. Enlever la chaleur immédiatement.

ENTRETIEN

⚠AVERTISSEMENT Pour minimiser les risques de blessures corporelles, débranchez le chargeur et retirez la batterie du chargeur ou de l'outil avant d'y effectuer des travaux d'entretien. Ne démontez jamais l'outil, la batterie ou le chargeur. Pour toute réparation, consultez un centre de service MILWAUKEE accrédité.

Entretien de l'outil

Gardez l'outil en bon état en adoptant un programme d'entretien ponctuel. Inspectez votre outil pour des questions telles que le bruit excessif, de grippage des pièces mobiles, de pièces cassées ou toute autre condition qui peut affecter le fonctionnement de l'outil. Retournez votre outil à un centre de service MILWAUKEE accrédité pour obtenir le service. Après une période pouvant aller de 6 mois à un an, selon l'usage, retournez votre outil à un centre de service MILWAUKEE accrédité pour d'inspection.

Si l'outil ne démarre pas ou ne fonctionne pas à pleine puissance alors qu'il est branché sur une batterie complètement chargée, nettoyez les points de contact entre la batterie et l'outil. Si l'outil ne fonctionne toujours pas correctement, renvoyez l'outil, le chargeur et la batterie à un centre de service MILWAUKEE accrédité.

⚠AVERTISSEMENT Pour minimiser les risques de blessures ou de dommages à l'outil, n'immergez jamais l'outil, la batterie ou le chargeur et ne laissez pas de liquide s'y infiltrer.

Nettoyage

Débarrassez les événements des débris et de la poussière. Gardez les poignées propres, à sec et exemptes d'huile ou de graisse. Le nettoyage doit se faire avec un linge humide et un savon doux. Certains nettoyants tels l'essence, la térébenthine, les diluants à laque ou à peinture, les solvants chlorés, l'ammoniaque et les détergents d'usage domestique qui en contiennent pourraient détériorer le plastique et l'isolation des pièces. Ne laissez jamais des solvants inflammables ou combustibles auprès des outils.

Réparations

Pour les réparations, retournez outil, batterie et chargeur en entier au centre-service le plus près.

ACCESOIRES

⚠AVERTISSEMENT L'utilisation d'autres accessoires que ceux qui sont spécifiquement recommandés pour cet outil peut comporter des risques.

Pour une liste complète des accessoires, visiter le site internet www.milwaukeetool.com ou contactez un distributeur.

SERVICE - CANADA

Milwaukee Tool (Canada) Ltd

1.800.268.4015

Monday-Friday, 7:00 AM - 4:30 PM CST
www.milwaukeetool.ca

GARANTIE LIMITÉE - AUX ÉTATS-UNIS ET AU CANADA

Chaque outil électrique* MILWAUKEE (voir exceptions ci-dessous) est garanti à l'acheteur d'origine uniquement pour être exempt de vices de matériaux et de fabrication. Sous réserve de certaines exceptions, MILWAUKEE réparera ou remplacera toute pièce d'un outil électrique qui, après examen par MILWAUKEE, s'est avérée être affectée d'un vice de matériel ou de fabrication et ce pendant une période de cinq (5) ans** à compter de la date d'achat, sauf indication contraire. Retourner l'outil électrique à un centre de réparation en usine MILWAUKEE ou à un poste d'entretien agréé MILWAUKEE, en port prépayé et assuré. Une copie de la preuve d'achat doit être présentée lors du retour du produit. Cette garantie ne couvre pas les dommages que MILWAUKEE détermine être causés par des réparations ou des tentatives de réparation par quiconque autre que le personnel agréé par MILWAUKEE, ou par des utilisations incorrectes, des altérations, des utilisations abusives, une usure normale, une carence d'entretien ou des accidents.

Usure normale : Plusieurs outils électriques requièrent un remplacement et un entretien périodique de leurs pièces pour un meilleur rendement. Cette garantie ne couvre pas la réparation des pièces due à l'utilisation normale de l'outil, y compris, mais sans s'y limiter, les mandrins, les brosses, les cordes, les sabots de scie, les portelames, les joints toriques, les joints, les amortisseurs, les lames d'entraînement, les pistons, les perceurs, les crochets et les rondelles à couvercle amortisseur.

*Cette garantie ne s'applique pas aux cloueuses-agrafeuses pneumatiques, aux pulvérisateurs à peinture sans air, aux blocs-pipes pour outils sans fil, aux génératrices d'alimentation portatives à essence, aux outils à main, aux monte-charges - électriques, à levier et à chaîne, aux vestes chauffantes M12™, aux produits ré-usinés, ni aux produits d'essai et de mesure. Il existe des garanties séparées distinctes pour ces produits.

**La période de garantie applicable pour les radios de chantier, le port d'alimentation M12™, la source électrique M18™, le ventilateur de chantier et les chariots de travail industriels Trade Titan™ est d'une durée d'un (1) an à compter de la date d'achat. La période de garantie pour les Câbles de nettoyage des canalisations est de deux (2) ans à compter de la date d'achat. La période de garantie pour le Pistolet thermique compact M18™ est de trois (3) ans à compter de la date d'achat. La période de garantie couvrant la DEL de la lampe de travail à DEL et l'ampoule améliorée à DEL de la lampe de travail est une garantie à vie du produit soumise aux limitations ci-dessus. En cas de défaillance de la DEL ou de l'ampoule à DEL pendant son utilisation normale, la pièce défaillante sera remplacée gratuitement. L'enregistrement de la garantie n'est pas nécessaire pour bénéficier de la garantie en vigueur sur un outil électrique MILWAUKEE. La date de fabrication du produit servira à établir la période de garantie, si aucune preuve d'achat n'est fournie lorsqu'une demande de service sous garantie est déposée.

L'ACCEPTATION DES RECOURS EXCLUSIFS DE RÉPARATION ET DE REMPLACEMENT DÉCRITS DANS LES PRÉSENTES EST UNE CONDITION DU CONTRAT D'ACHAT DE TOUT PRODUIT MILWAUKEE. SI VOUS N'ACCEPTÉZ PAS CETTE CONDITION, VOUS NE DEVEZ PAS ACHETER LE PRODUIT. EN AUCUN CAS, MILWAUKEE NE SAURAIT ÊTRE RESPONSABLE DE TOUT DOMMAGE ACCESSOIRE, SPÉCIAL OU INDIRECT, DE DOMMAGES-INTÉRÊTS PUNITIFS OU DE TOUTE DÉPENSE, D'HONORAIRES D'AVOCAT, DE FRAIS, DE PERTE OU DE DÉLAIS ACCESSOIRES À TOUT DOMMAGE, DÉFAILLANCE OU DÉFAUT DE TOUT PRODUIT, Y COMPRIS NOTAMMENT LES PERTES DE PROFIT. CERTAINS ÉTATS ET PROVINCES NE PERMETTANT L'EXCLUSION OU LA LIMITATION DES DOMMAGES DIRECTS OU INDIRECTS, LES RESTRICTIONS CI-DESSUS PEUVENT NE PAS VOUS ÊTRE APPLICABLES. CETTE GARANTIE EST EXCLUSIVE

ET REMPLACE TOUTE AUTRE GARANTIE EXPRESSE, QU'ELLE SOIT VERBALE OU ECRITE. DANS LA MESURE PERMISE PAR LA LOI, MILWAUKEE RENONCE A TOUTE GARANTIE IMPLICITE, Y COMPRIS, MAIS SANS S'Y LIMITER, TOUTE GARANTIE IMPLICITE DE QUALITE MARCHANDE OU D'ADAPTATION A UNE UTILISATION OU A UNE FIN PARTICULIERE. DANS LA MESURE OU UNE TELLE STIPULATION D'EXONERATION N'EST PAS PERMISE PAR LA LOI, LA DUREE DE CES GARANTIES IMPLICITES EST LIMITEE A LA PERIODE APPLICABLE DE LA GARANTIE EXPRESSE, TEL QUE CELA EST DECRIT PRECEDEMMENT. CERTAINS ETATS ET PROVINCES NE PERMETTANT PAS DE LIMITATION DE DUREE DES GARANTIES IMPLICITES, LES RESTRICTIONS CI-DESSUS PEUVENT DONC NE PAS VOUS ETRE APPLICABLES. LA PRESENTE VOUS CONFERE DES DROITS LEGAUX PARTICULIERS; VOUS BENEFICIEZ EGALEMENT D'AUTRES DROITS QUI VARIENT D'UN ETAT A UN AUTRE.

Cette garantie s'applique aux produits vendus aux États-Unis et au Canada uniquement.

Veillez consulter la rubrique Centre SAV Milwaukee, dans la section Pièces et Services du site Web de MILWAUKEE, à l'adresse www.milwaukeeetool.com, ou composer le 1-800-SAWDUST (1-800-729-3878) afin de trouver le centre de service de votre région le plus proche pour l'entretien, sous garantie ou non, de votre outil électrique Milwaukee.

GARANTIE LIMITEE – MEXIQUE, AMERIQUE CENTRALE ET CARAIRES

TECHTRONIC INDUSTRIES* garantit le produit pendant 5 ans à partir de la date d'achat d'origine.

Le présent bon de garantie couvre tous les vices de matériau et de fabrication que peut afficher ce produit.

Pour assurer la validité de la présente garantie, veuillez présenter ce bon de garantie, estampillé du sceau du distributeur ou du magasin ou le produit a été acheté, au centre de réparations agréé. Si le bon de garantie n'a pas été estampillé, veuillez fournir la preuve d'achat d'origine au centre de réparations agréé.

Pour un entretien des pièces, des accessoires ou des composants, composer sans frais le 1-800-030-7777 afin d'obtenir les coordonnées du centre de réparations agréé le plus près

Procédure pour assurer la validité de la garantie

Présenter le produit au centre de réparations agréé, accompagné du bon de garantie estampillé du sceau du distributeur ou du magasin ou le produit a été acheté. Toute pièce défectueuse ou tout composant défectueux sera remplacé(e) sans frais. Milwaukee assume tous les frais de transport liés à ce processus de garantie.

Exceptions

Cette garantie ne s'applique pas dans les situations suivantes :

- Si le produit a été utilisé pour une fin autre que celle indiquée dans le guide de l'utilisateur final ou le manuel d'instructions.
- Si les conditions d'utilisations ne sont pas habituelles.
- Si le produit a été modifié ou réparé par une personne non autorisée par TECHTRONIC INDUSTRIES.

Remarque : Si le cordon électrique est endommagé, il doit être remplacé par un centre de réparations agréé pour éviter les risques d'électrocution.

CENTRE DE RÉPARATIONS ET DE SERVICE

Composer le 01 (800) 030-7777

IMPORTÉ ET COMMERCIALISÉ PAR

TECHTRONIC INDUSTRIES, MEXIQUE, SA DE CV

Av Prentid Masarik #29 piso 7, Col. Polanco V Sección

CP 11560, Deleg. Miguel Hidalgo, CDMX

Modèle : _____

Date d'achat : _____

Sceau du distributeur ou du magasin : _____

ADVERTENCIAS DE SEGURIDAD GENERALES PARA LA HERRAMIENTA ELÉCTRICA

⚠️ ADVERTENCIA Lea todas las advertencias de seguridad, instrucciones, ilustraciones y especificaciones con esta herramienta eléctrica. Si no sigue todas las advertencias e instrucciones, se pueden provocar una descarga eléctrica, un incendio o lesiones graves. Guarde todas las advertencias e instrucciones para consultarlas en el futuro. El término "herramienta eléctrica" en todas las advertencias incluidas más abajo se refiere a su herramienta operada por conexión (cable) a la red eléctrica o por medio de una batería (inalámbrica).

SEGURIDAD EN EL ÁREA DE TRABAJO

- **Mantenga el área de trabajo limpia y bien iluminada.** Las áreas desordenadas u oscuras son propicias para los accidentes.
- **No utilice herramientas eléctricas en atmósferas explosivas, tales como en presencia de líquidos, gases o polvos inflamables.** Las herramientas eléctricas generan chispas que pueden encender el polvo o los vapores.
- **Mantenga a los niños y a los espectadores alejados mientras utiliza una herramienta eléctrica.** Las distracciones pueden ocasionar la pérdida de control.

SEGURIDAD ELÉCTRICA

- **Evite el contacto corporal con superficies aterrizadas, tales como tuberías, radiadores, estufas y refrigeradores.** Existe un riesgo mayor de descarga eléctrica si su cuerpo está aterrizado.
- **Uso en interiores.** No exponga las herramientas eléctricas a la lluvia ni a condiciones húmedas. Si se introduce agua en una herramienta eléctrica, aumentará el riesgo de descarga eléctrica.

SEGURIDAD PERSONAL

- **Manténgase alerta, atento a lo que está haciendo y utilice el sentido común al utilizar una herramienta eléctrica.** No utilice una herramienta eléctrica mientras está cansado o bajo la influencia de drogas, alcohol o medicamentos. Un momento de distracción al utilizar herramientas eléctricas puede ocasionar lesiones personales graves.
- **Utilice equipo de protección personal. Siempre use protección para los ojos.** El equipo de protección, tal como una máscara contra polvo, calzado antideslizante, casco o protección auditiva, utilizado para condiciones adecuadas disminuirá las lesiones personales.
- **Evite el arranque accidental. Asegúrese de que el interruptor esté en la posición de apagado antes de conectarlo a una fuente de poder y/o batería, levantar o trasladar la herramienta.** Trasladar herramientas con el dedo en el interruptor o energizar herramientas eléctricas que tienen el interruptor encendido propicia accidentes.
- **No estire el cuerpo demasiado.** Mantenga un buen contacto entre los pies y el suelo y mantenga el equilibrio en todo momento. Esto permite un mejor control de la herramienta eléctrica en situaciones inesperadas.
- **Vístase adecuadamente.** No utilice ropa o joyería holgada. Mantenga el cabello y la ropa alejados de las partes móviles. La ropa holgada, las alhajas o el cabello largo pueden quedarse atrapados en las partes móviles.

- Si se proporcionan dispositivos para la conexión de instalaciones de extracción y recolección de polvo, cerciéndose de que estén conectados y se utilicen correctamente. El uso de dispositivos recolectores de polvo puede disminuir los riesgos relacionados con el polvo.
- No permita que la familiaridad por el uso frecuente de las herramientas lo hagan sentirse seguro e ignorar los principios de seguridad de las herramientas. Un descuido puede provocar lesiones graves en una fracción de segundo.

USO Y CUIDADO DE LAS HERRAMIENTAS ELÉCTRICAS

- No fuerce la herramienta eléctrica. Utilice la herramienta eléctrica correcta para su aplicación. La herramienta eléctrica correcta realizará el trabajo mejor y con mayor seguridad a la velocidad para la que fue diseñada.
- No utilice la herramienta eléctrica si el interruptor no la enciende y la apaga. Cualquier herramienta eléctrica que no pueda controlarse con el interruptor es peligrosa y debe repararse.
- Desconecte el enchufe de la fuente de energía y/o quite la batería de la herramienta eléctrica, si es posible, antes de realizar cualquier ajuste, cambiar accesorios o almacenar las herramientas eléctricas. Tales medidas preventivas de seguridad disminuyen el riesgo de que la herramienta eléctrica se encienda accidentalmente.
- Almacene las herramientas eléctricas que no se estén utilizando fuera del alcance de los niños y no permita que personas que no estén familiarizadas con la herramienta eléctrica o con estas instrucciones la utilicen. Las herramientas eléctricas son peligrosas en manos de usuarios sin capacitación.
- Dé mantenimiento a las herramientas eléctricas y accesorios. Verifique que no haya desalineación, amarre de partes móviles, partes rotas o alguna otra condición que pueda afectar el funcionamiento de la herramienta eléctrica. Si se daña, asegúrese de que la herramienta eléctrica sea reparada antes de que se utilice. Muchos accidentes son ocasionados por herramientas eléctricas con mantenimiento deficiente.
- Utilice la herramienta eléctrica, los accesorios y las puntas, etc. de acuerdo con estas instrucciones, tomando en cuenta las condiciones de trabajo y el trabajo a realizar. El uso de la herramienta eléctrica para operaciones diferentes a las previstas podría generar una situación peligrosa.
- Mantenga las empuñaduras y ñas superficies de sujeción secas, limpias y libres de aceite y grasa. Las empuñaduras y superficies de sujeción resbalosas no permiten el manejo y control seguros de la herramienta en situaciones inesperadas.

USO Y CUIDADO DE LAS HERRAMIENTAS CON BATERÍA

- Recargue únicamente con el cargador especificado por el fabricante. Un cargador que es adecuado para un tipo de batería puede crear un riesgo de incendio si se utiliza con otra batería.
- Utilice las herramientas eléctricas únicamente con baterías específicamente diseñadas. El uso de cualquier otra batería puede producir un riesgo de lesiones e incendio.
- Cuando la batería no esté en uso, manténgala alejada de otros objetos metálicos como sujetapapeles, monedas, llaves, clavos, tornillos u otros objetos metálicos pequeños que puedan formar una conexión de una terminal a otra. Crear un corto entre las terminales de la batería puede ocasionar quemaduras o un incendio.

- Bajo condiciones de maltrato, el líquido puede ser expulsado de la batería, evite el contacto. En caso de contacto accidental, lave con agua. Si el líquido entra en contacto con los ojos, busque además ayuda médica. El líquido expulsado de la batería puede causar irritación o quemaduras.
- No use una batería o herramienta que se haya dañado o modificado. Las baterías dañadas o modificadas pueden mostrar un comportamiento impredecible, causando incendios, explosión o riesgo de lesión.
- No exponga una batería o herramienta al fuego o a temperatura excesiva. La exposición a fuego o temperatura a más de 130°C (265°F) puede causar explosiones.
- Siga todas las instrucciones de carga y no cargue la batería o la herramienta fuera del rango de temperatura especificado en las instrucciones. La carga incorrecta o a temperaturas fuera del rango especificado puede dañar la batería y aumentar el riesgo de incendio.

MANTENIMIENTO

- Lleve su herramienta eléctrica a servicio con un técnico calificado que use únicamente piezas de reemplazo idénticas. Esto asegurará que la seguridad de la herramienta eléctrica se mantenga.
- Nunca dé servicio a baterías dañadas. Únicamente el fabricante o proveedores de servicio autorizados deben dar servicio a las baterías.

REGLAS ESPECÍFICAS DE SEGURIDAD PARA PISTOLAS DE CALOR

LEA TODAS LAS ADVERTENCIAS E INSTRUCCIONES

- Conozca su ambiente de trabajo. Las áreas ocultas tales como detrás de las paredes, techos, pisos, tableros y otros paneles quízez contengan materiales inflamables que pueden encenderse durante el uso de la pistola de calor en estas condiciones. La ignición de estos materiales puede no aparente inmediatamente y podría resultar en daños materiales y lesiones personales. Revise estas áreas antes de aplicar calor. Si tiene dudas, use un método alternativo. El prolongar la aplicación de calor en un lugar puede encender el panel o el material que está detrás del mismo. Mantenga la pistola de calor en movimiento para evitar temperaturas excesivas.
- No dirija el flujo de aire de la pistola de calor hacia la ropa, el cabello u otras partes del cuerpo. No use la pistola como secadora de cabello. Las pistolas de calor pueden producir un calor sin llama de 593°C (1 100°F) en la boquilla. El contacto con el flujo de aire puede resultar en lesiones personales.
- No use la pistola de calor cerca de líquidos inflamables o en atmósferas explosivas, tales como en presencia de vapores, gases o polvo. El calor sin llama de la pistola de calor puede encender el polvo o los vapores. Retire del área de trabajo los materiales o residuos que pueden encenderse.
- Proteja los materiales alrededor del área calentada para evitar daños materiales o incendios.
- Tenga a la mano un extintor de incendios. Las pistolas de calor pueden encender los materiales inflamables dejados en el área de trabajo.
- ATTENTION: Superficie caliente. Siempre sujete la pistola de calor por su compartimiento de plástico. No toque la boquilla, ni las puntas de los accesorios, ni guarde la pistola de calor hasta que la boquilla se haya enfriado a la temperatura ambiente. La boquilla metálica requiere aproximadamente 20 minutos para enfriarse antes de que se pueda tocar. El contacto con

la boquilla o la punta de un accesorio puede resultar en lesiones personales. Coloque la pistola en un área sin obstrucciones lejos de materiales combustibles mientras se enfría para evitar la ignición de materiales inflamables.

- **No corte el flujo de aire colocando la boquilla demasiado cerca a la pieza de trabajo.** Mantenga las rendijas de entrada limpias y sin obstrucciones. El flujo de aire restringido puede hacer que se sobrecaliente la pistola de calor.
- **Coloque la pistola de calor sobre una superficie estable y nivelada cuando no la sujete con la mano.**
- **No deje la pistola de calor desatendida mientras está funcionando o enfriándose.** La falta de atención puede propiciar accidentes.
- **No se exponga la lluvia ni en sitios con excesiva humedad. Almacénela en sitios interiores y secos.**
- **No dirija el flujo de aire directamente sobre materiales de vidrio.** El vidrio puede agrietarse y causar daños materiales o lesiones personales.
- **Conserve las etiquetas y las placas nominales.** Contienen información importante. Si son ilegibles o no están presentes, comuníquese con un centro de servicio MILWAUKEE para obtener un reemplazo gratuito.

⚠️ ADVERTENCIA Algunos polvos generados por el lijado eléctrico, aserrado, pulido, taladrado y otras actividades de construcción contienen químicos identificados como causantes de cáncer, defectos congénitos u otros daños reproductivos. Algunos ejemplos de estos químicos son:

- Plomo de pintura basada en plomo
- dióxido de silicio de los ladrillos y el cemento y otros productos de albañilería y
- arsénico y cromo de madera con tratamiento químico. Su riesgo por estas exposiciones varía, dependiendo de la frecuencia con que realice este tipo de trabajo. Para reducir su exposición a estos químicos: trabaje en un área bien ventilada y trabaje con equipo de seguridad aprobado, como mascarillas protectoras contra polvo especialmente diseñadas para filtrar partículas microscópicas.

INSTRUCCIONES DE SEGURIDAD PARA REMOVER LA PINTURA

⚠️ ADVERTENCIA Tenga mucho cuidado cuando raspe pintura. La pintura raspada, los residuos y los vapores de pintura pueden contener plomo, el cual es VENENOSO. Las pinturas elaboradas antes de 1977 pueden contener plomo y las pinturas elaboradas antes de 1950 probablemente contengan plomo. El contacto de mano a boca con pintura raspada o residuos de pintura elaborada antes de 1977 puede resultar en la ingestión de plomo. La exposición al plomo, incluso a niveles bajos, puede causar daños irreversibles al cerebro y al sistema nervioso. Los fetos y los niños pequeños son especialmente vulnerables al envenenamiento por plomo. **NO RETIRE PINTURA A BASE DE PLOMO CON UNA PISTOLA DE CALOR.** Antes de empezar a trabajar, determine si la pintura que va a retirar contiene plomo. El departamento de salud local o un profesional que use un analizador de pintura puede verificar el contenido de plomo de la pintura. **LAS PINTURAS A BASE DE PLOMO DEBEN RETIRARSE POR UN PROFESIONAL SOLAMENTE.**

Las personas que quitan la pintura deben seguir estas pautas:

- **Trabaje en un área bien ventilada.** Si fuera posible, mueva la pieza de trabajo al aire libre. Si está trabajando en interiores, abra las ventanas y coloque

un ventilador de extracción. Asegúrese de que el ventilador mueva el aire de adentro hacia afuera. Una ventilación apropiada reducirá el riesgo de inhalación de los productos químicos contenidos en los vapores o polvos creados al usar una pistola de calor.

- **Retire o cubra alfombras, muebles, ropa, utensilios de cocina y conductos de aire** para evitar los daños materiales producidos por la pintura raspada.
- **Coloque lonas en el área de trabajo para recoger los desechos de pintura.** Use **ropa protectora** tal como sombreros, camisas de trabajo adicionales y overoles. Los desechos de pintura pueden contener productos químicos peligrosos.
- **Trabaje en una habitación a la vez.** Retire los muebles o cúbralos y colóquelos en el centro de la habitación. Selle el claro de las puertas con lonas para aislar el área de trabajo del resto del edificio.
- **Los niños, las mujeres embarazadas o que pueden estar embarazadas y las madres en etapa de lactación no deben acercarse al área de trabajo** hasta que se haya finalizado la tarea y el área de trabajo se haya limpiado exhaustivamente.
- **Use una máscara respiradora para polvo o una máscara respiradora con doble filtro (para polvo y vapores)** aprobada por Occupational Safety and Health Administration (OSHA), National Institute of Safety and Health (NIOSH) o United States Bureau of Mines. Estas máscaras y filtros reemplazables están disponibles en las principales ferreterías. Asegúrese de que la máscara sea del tamaño apropiado. La barba y el vello facial pueden impedir el sello correcto de la máscara. Cambie los filtros con frecuencia. **LAS MASCARAS DE PAPEL DESECHABLES NO SON ADECUADAS.**
- **Tome precauciones cuando trabaje con la pistola de calor.** Mantenga la pistola en movimiento para evitar temperaturas excesivas. El calor excesivo puede quemar la pintura y otros materiales y causar vapores que pueden ser inhalados por el operador.
- **Mantenga limpio el ambiente de trabajo.** Mantenga las comidas y bebidas lejos del área de trabajo. Lávese las manos, los brazos y la cara, y enjuáguese la boca antes de comer y beber. No fume ni consuma tabaco ni goma de mascar en el área de trabajo. Los desechos de pintura y el polvo creado al raspar la pintura pueden contener productos químicos peligrosos.
- **Limpie todos los desechos de pintura y polvo. NO BARRA NI ASPIRE EL POLVO SECO.** Limpie los pisos con un trapeador húmedo. Use un paño húmedo para limpiar todas las paredes, umbrales de ventanas y otras superficies donde se haya acumulado la pintura y el polvo. Use un detergente con alto contenido de fosfato, fosfato trisódico (TSP) o un sustituto de fosfato trisódico para limpiar y trapear el área de trabajo.
- **Descarte los desechos de pintura debidamente.** Después de cada sesión de trabajo, coloque los desechos de pintura en una bolsa de plástico doble, ciérrela con cinta adhesiva o flejes para amarrar y deséchela.
- **Quítese la ropa protectora y los zapatos de trabajo en el área de trabajo para evitar transferir el polvo a otras partes del edificio.** Lave la ropa de trabajo por separado. Limpie los zapatos con un trapo húmedo, el cual debe lavarse después junto con la ropa de trabajo. Lávese el cabello y el cuerpo exhaustivamente con agua y jabón.

**GUARDE TODAS LAS
ADVERTENCIAS E INSTRUCCIONES**

ESPECIFICACIONES

| | |
|---|------------------------------|
| Cat. No..... | 2688-20 |
| Volts..... | 18 CD |
| Tipo de batería..... | M18™ |
| Tipo de cargador..... | M18™ |
| Temperatura..... | 537°C (1 000°F) |
| Flujo de aire..... | 6 CFM |
| Temperatura ambiente recomendada para operar..... | -18°C to 50°C (0°F to 125°F) |

DESCRIPCION FUNCIONAL



SIMBOLOGÍA



Volts



Corriente continua



UL Listing Mark para Canadá y Estados Unidos

ENSAMBLAJE

⚠ ADVERTENCIA Recargue la batería sólo con el cargador especificado para ella. Para instrucciones específicas sobre cómo cargar, lea el manual del operador suministrado con su cargador y la batería.

Como se inserta/quita la batería en la herramienta

Para retirar la batería, presione los botones de liberación y jale de la batería para sacarla de la herramienta.

⚠ ADVERTENCIA Para reducir el riesgo de lesiones, extraiga siempre la batería antes de acoplar o desacoplar accesorios. Para introducir la batería, deslícela en el cuerpo de la herramienta. Asegúrese de que quede bien firme en su posición.

⚠ ADVERTENCIA Utilice únicamente accesorios específicamente recomendados para esta herramienta. El uso de accesorios no recomendados podría resultar peligroso.

Para reducir el riesgo de lesiones personales, no retire las puntas de los accesorios hasta que se hayan enfriado a la temperatura ambiente.

Instalación/extracción de las boquillas

1. Para instalar, deslice la boquilla sobre la punta de la pistola de calor y gírela para fijarla.
2. Ajuste la distancia de la pieza de trabajo y la duración de la aplicación según corresponda.
3. Para extraer, permita que la herramienta se enfríe a temperatura ambiente, luego gire y jale la boquilla para retirarla de la herramienta.

OPERACION

⚠ ADVERTENCIA Para reducir el riesgo de una lesión, desconecte siempre la herramienta antes de fijar o retirar accesorios, o antes de efectuar ajustes. Utilice sólo los accesorios específicamente recomendados. El uso de otros accesorios puede ser peligroso.

Para reducir el riesgo de lesiones, use siempre lentes de seguridad o anteojos con protectores laterales.

Para reducir el riesgo de lesiones personales, no retire las puntas de los accesorios hasta que se hayan enfriado a la temperatura ambiente.

Apagado/encendido

La cantidad apropiada de calor para cada aplicación depende de la distancia entre la boquilla y la pieza de trabajo, y el tiempo que se aplica calor. Pruebe con materiales de desecho. Tenga cuidado mientras trabaja, hasta tanto logre obtener la combinación apropiada de distancia y tiempo de aplicación. Al aplicar calor, realice un movimiento hacia adelante y hacia atrás, a menos que se desee aplicar calor concentrado. Cuando le hacen, siempre coloque la herramienta sobre una superficie plana, así que la pistola no punta para permitir que la boquilla se enfríe.

1. Para **ENCENDER** la herramienta, presione el botón de desbloqueo y oprima el gatillo.
2. Para **APAGAR** la herramienta, suelte el gatillo.

APLICACIONES

⚠ ADVERTENCIA Para reducir el riesgo de lesiones personales, no retire las puntas de los accesorios hasta que se hayan enfriado a la temperatura ambiente.

Tipos de boquillas

- Boquilla de gancho - Calor circundante para soldadura de tubería delgada, soldadura suave de tubería de cobre, formación de tubos y contracción de tubos termocontraíbles.
- Boquilla de reducción de aire - Calor intensificado y dirigido a un punto específico para esquinas, acodamiento de plexiglás y soldadura.
- Boquilla deflectora - El calor desviado protege los paneles de cristal al remover pintura y masilla.
- Boquilla distribuidora de aire - Dirige el calor sobre áreas grandes para secar, remover pintura, cubiertas de pisos y superficies de vinil.

Remoción de pintura

ADVERTENCIA! Lea las instrucciones de seguridad para remover la pintura antes de proceder con la remoción.

1. Ubique la boquilla aproximadamente a 25 mm (1") de la superficie de trabajo.
2. Mueva la boquilla hacia atrás y hacia adelante sobre un área pequeña de la pieza de trabajo.
3. Cuando la pintura comience a producir ampollas, y luego, deje de aplicar calor.
4. Quite la pintura con una espátula de borde filoso.

Contracción térmica

1. Coloque la boquilla de reducción de aire o de gancho en la pistola de calor.
2. Para calentar tubos termocontraíbles, aplique calor a la pieza de trabajo con un movimiento lateral hasta que el tubo se contraiga. Deje de aplicar calor inmediatamente.

MANTENIMIENTO

⚠ ADVERTENCIA Para reducir el riesgo de una lesión, desconecte siempre la herramienta antes de darle cualquier mantenimiento. Nunca desarme la herramienta ni trate de hacer modificaciones en el sistema eléctrico de la misma. Acuda siempre a un Centro de Servicio MILWAUKEE para TODAS las reparaciones.

Mantenimiento de las herramientas

Adopte un programa regular de mantenimiento y mantenga su herramienta en buenas condiciones. Inspeccione la herramienta para problemas como ruidos indebidos, desalineadas o agarrotadas de partes móviles, piezas rotas o cualquier otra condición que pueda afectar el funcionamiento de la herramienta. Envíe su herramienta al Centro de Servicio MILWAUKEE para reparación. Después de 6 meses a un año, dependiendo del uso dado, envíe su herramienta al Centro de Servicio MILWAUKEE más cercano para la inspección.

Si la herramienta no arranca u opera a toda su potencia con una batería completamente cargada, limpie, con una goma o borrador, los contactos de la batería y de la herramienta. Si aun así la herramienta no trabaja correctamente, regrésela, con el cargador y la batería, a un centro de servicio MILWAUKEE.

⚠ ADVERTENCIA Para reducir el riesgo de lesiones, descarga eléctrica o daño a la herramienta, nunca la sumerja en líquidos ni permita que estos fluyan dentro de la misma.

Limpieza

Limpie el polvo y suciedad de las ventilas. Mantenga los mangos limpios, secos y libres de aceite o grasa. Use solo jabón neutro y un trapo húmedo para limpiar, ya que algunos substancias y solventes limpiadores son dañinos a los plásticos y partes aislantes. Algunos de estos incluyen: gasolina, turpentina, thinner, lacas, thinner para pinturas, solventes para limpieza con cloro, amoníaco y detergentes caseros que tengan amonía. Nunca use solventes inflamables o combustibles cerca de una herramienta.

Reparaciones

Si su herramienta, batería o cargador están dañados, envíela al centro de servicio más cercano.

ACCESORIOS

ADVERTENCIA Utilice sólo los accesorios específicamente recomendados. Otros accesorios puede ser peligrosos.

Para una lista completa de accesorios, visite nuestro sitio en Internet: www.milwaukeeool.com o póngase en contacto con un distribuidor.

SOPORTE DE SERVICIO - MEXICO

CENTRO DE ATENCION A CLIENTES

Techtronic Industries Mexico, S.A. de C.V.

Av. Presidente Masarik 29 Piso 7

11560 Polanco V Seccion

Miguel Hidalgo, Distrito Federal, México

01 (800) 030-7777 o (55) 4160-3540

Lunes a Viernes (9am a 6pm)

O contáctanos en www.milwaukeeool.com.mx

GARANTÍA LIMITADA - E.U.A. Y CANADÁ

Cada herramienta eléctrica* de MILWAUKEE (ver excepciones a continuación) está garantizada para el comprador original únicamente de que no tenga material y mano de obra defectuosos. Sujeto a ciertas excepciones, MILWAUKEE reparará o reemplazará cualquier parte en una herramienta eléctrica que tenga defectos de material o mano de obra según lo determine MILWAUKEE mediante una revisión, por un periodo de cinco (5) años** después de la fecha de compra a menos que se indique lo contrario. Al devolver la herramienta eléctrica a un Centro de Servicio de la fábrica de MILWAUKEE o a una Estación de Servicio Autorizada de MILWAUKEE, se requiere que el flete esté pagado por adelantado y asegurado. Se debe incluir una copia del comprobante de compra con el producto devuelto. Esta garantía no aplica a daños que MILWAUKEE determine que son ocasionados por reparaciones o intentos de reparaciones realizados por una persona que no sea personal autorizado de MILWAUKEE, uso indebido, alteraciones, maltrato, desgaste normal, falta de mantenimiento o accidentes.

Desgaste normal: Muchas herramientas eléctricas necesitan un reemplazo periódico de partes y servicio para lograr el mejor desempeño. Esta garantía no cubre la reparación cuando el uso normal ha agotado la vida de una parte, incluyendo sin limitar a mandriles, cepillos, cables, zapatas de la sierra, abrazaderas de la hoja, anillos en O, sellos, protectores, hojas de desatomilladores, pistones, herrajes, levantaadores y arandelas de cubierta de los protectores.

*Esta garantía no cubre clavadoras y grapadoras neumáticas, pistola de pintura a presión, baterías inalámbricas, generadores de energía portátil de gasolina, herramientas de mano, palanca y cadena de mano de polipasto - eléctricas, instrumentaria calefactada M12™, producto reacondicionado y productos de prueba y medición. Existen garantías por separado y distintas disponibles para estos productos.

**El periodo de garantía para los radios para obra, puerto de energía M12™, fuente de poder M18™, ventiladores para obra y carretillas de trabajo industrial Trade Titan™ es de un (1) año a partir de la fecha de compra. El periodo de garantía para los Cables de limpieza de drenaje es de dos (2) años a partir de la fecha de compra. El periodo de garantía de la Pistola de calor compacta M18™ es de tres (3) años a partir de la fecha de compra. El periodo de garantía de las lámparas de LED en la Lámpara de trabajo LED y el Bulbo mejorado de LED para la Luz de trabajo es por la vida del producto sujeto a las limitaciones anteriores. Si durante el uso normal el LED o Bulbo de LED falla, la parte será reemplazada sin cargo.

No se requiere el registro de la garantía para obtener la garantía correspondiente a un producto de herramienta eléctrica de MILWAUKEE. La fecha de manufactura del producto se utilizará para determinar el periodo de garantía si no se proporciona comprobante de compra al solicitar el servicio en garantía.

LA ACEPTACIÓN DE LOS REMEDIOS EXCLUSIVOS DE REPARACIÓN Y REEMPLAZO AQUÍ DESCRITOS ES UNA CONDICIÓN DEL CONTRATO PARA LA COMPRA DE TODO PRODUCTO DE MILWAUKEE. SI USTED NO ACEPTA ESTA CONDICIÓN, NO DEBE COMPRAR EL PRODUCTO. MILWAUKEE NO SERÁ RESPONSABLE EN NINGÚN CASO DE DAÑOS INCIDENTALES, ESPECIALES, EMERGENTES O PUNITIVOS NI DE NINGÚN COSTO,

HONORARIOS LEGALES, GASTOS, PÉRDIDAS O DEMORAS ALEGADAS COMO CONSECUENCIA DE ALGUN DAÑO, FALLA O DEFECTO EN NINGÚN PRODUCTO, INCLUYENDO, ENTRE OTROS, RECLAMACIONES POR PÉRDIDA DE UTILIDADES. ALGUNOS ESTADOS NO PERMITEN LA EXCLUSIÓN O LIMITACIÓN DE RESPONSABILIDAD POR DAÑOS INCIDENTALES O EMERGENTES, POR LO QUE LA ANTERIOR LIMITACIÓN O EXCLUSIÓN PODRÍA NO APLICARSE EN SU CASO. ESTA GARANTÍA ES EXCLUSIVA Y REEMPLAZA TODAS LAS DEMÁS GARANTÍAS EXPRESAS, ESCRITAS U ORALES. EN LA MEDIDA EN QUE LO PERMITA LA LEY, MILWAUKEE DESCONOCE CUALQUIER GARANTÍA IMPLÍCITA, INCLUYENDO SIN LIMITACIÓN CUALQUIER GARANTÍA IMPLÍCITA DE COMERCIABILIDAD O IDONEIDAD PARA UN FIN O USO ESPECÍFICO; EN LA MEDIDA EN QUE DICHO DESCONOCIMIENTO NO SEA PERMITIDO POR LA LEY, DICHAS GARANTÍAS IMPLÍCITAS SE LIMITAN A LA DURACIÓN DE LA GARANTÍA EXPRESA CORRESPONDIENTE SEGÚN SE DESCRIBIÓ ANTERIORMENTE. ALGUNOS ESTADOS NO PERMITEN LIMITACIONES SOBRE LA DURACIÓN DE UNA GARANTÍA IMPLÍCITA, POR LO QUE LA ANTERIOR LIMITACIÓN PUDIERA NO APLICARSE A USTED. ESTA GARANTÍA LE DA DERECHOS LEGALES ESPECÍFICOS Y USTED PODRÍA ADEMÁS TENER OTROS DERECHOS QUE VARIAN DE UN ESTADO A OTRO.

Esta garantía aplica al producto vendido en los Estados Unidos y Canadá únicamente.

Consulte la "Búsqueda de centro de servicio" en la sección de Partes y servicio del sitio web de MILWAUKEE en www.milwaukeeool.com o llame al 1.800.SAWDUST (1.800.729.3878) para localizar su centro de servicio más cercano para darle servicio con y sin garantía a una herramienta eléctrica de Milwaukee.

PÓLIZA DE GARANTÍA - VALIDA SOLO PARA MEXICO, AMÉRICA CENTRAL Y EL CARIBE

La garantía de TECHTRONIC INDUSTRIES es por 5 años a partir de la fecha original de compra.

Esta tarjeta de garantía cubre cualquier defecto de material y mano de obra en ese Producto.

Para hacer válida esta garantía, presente esta tarjeta de garantía, cerrada/sellada por el distribuidor o la tienda donde compró el producto, al Centro de Servicio Autorizado (ASC). O, si esta tarjeta no se ha cerrado/sellado, presente la prueba original de compra a ASC. Llame gratis al 01 (800) 030-7777 para encontrar el ASC más cercano, para servicio, partes, accesorios o componentes.

Procedimiento para hacer válida esta garantía

Lleve el producto a ASC, junto con la tarjeta de garantía cerrada/sellada por el distribuidor o la tienda donde compró el producto, y cualquier pieza o componente defectuoso se reemplazará sin costo para usted. Cubriremos todos los costos de flete con relación a este proceso de garantía

Excepciones

Esta garantía no tendrá validez en las siguientes situaciones:

- Cuando el producto se use de manera distinta a la que indica el manual del usuario final o de instrucciones.
- Cuando las condiciones de uso no sean normales.
- Cuando otras personas no autorizadas por TECHTRONIC INDUSTRIES modifiquen o reparen el producto.

Nota: si el juego de cables está dañado, tiene que reemplazarse en un Centro de Servicio Autorizado para evitar riesgos eléctricos.

CENTRO DE SERVICIO Y ATENCIÓN

Llame al 01 (800) 030-7777

IMPORTADO Y COMERCIALIZADO POR
TECHTRONIC INDUSTRIES, MÉXICO, SA DE CV
Av. President Masarik #29 piso 7, Col. Polanco V Sección
CP 11560, Deleg. Miguel Hidalgo, CDMX

Modelo: _____

Fecha de Compra: _____

Sello del Distribuidor: _____

MILWAUKEE TOOL
13135 West Lisbon Road
Brookfield, WI 53005 USA