

TOWNSEND® PEDESTAL SINK

- 0328.800** Faucet holes on 8" (203mm) centers (Illustrated)
- 0328.400** Faucet holes on 4" (102mm) centers
- 0328.100** Center hole only
  - Fine fireclay
  - Classic styled rectangular pedestal lavatory
  - Rear overflow
  - Supplied with mounting kit
  - Right Height® for greater comfort during use
  - Faucet ledge with large deck area (faucet not included)
  - **Design coordinates with Townsend® Fixtures and Faucets**



**Nominal Dimensions:**

30" x 19-1/2"  
(762 x 495mm)

35-1/4" height  
(895mm)

SEE REVERSE FOR ROUGHING-IN DIMENSIONS

- 0328.008** Pedestal top-8" (203mm) centers
- 0328.004** Pedestal top-4" (102mm) centers
- 0328.001** Pedestal top-center hole only
- 0039.001** Pedestal only

**Bowl sizes:**

19" (485mm) wide,  
12-3/4" (324mm) front to back,  
5" (128mm) deep

**Compliance Certifications -**

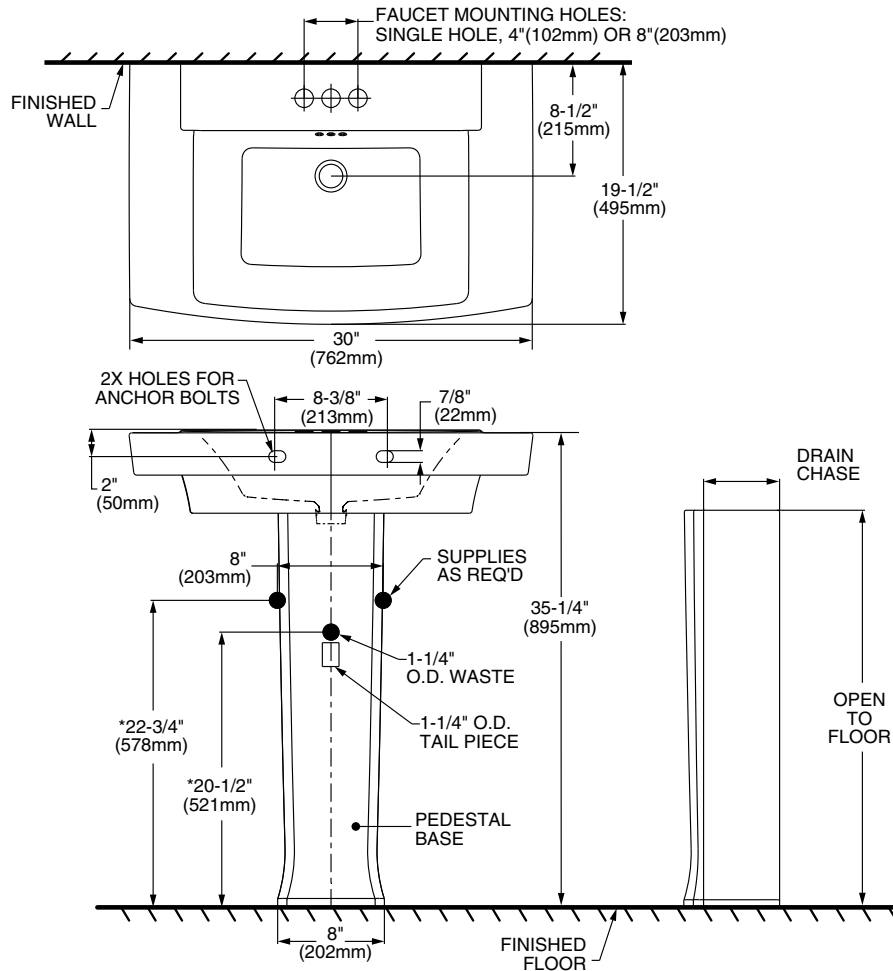
**Meets or Exceeds the Following Specifications:**

- ASME A112.19.2/CSA B45.1

**To Be Specified:**

- Color:  White  Linen
- Faucet Finish:
- Supplies:
- 1-1/4" Trap:
- Nipple:

\* See faucet section for additional models available



**NOTES:**

- \* DIMENSIONS SHOWN FOR LOCATION OF SUPPLIES AND "P" TRAPS ARE SUGGESTED.
- ▼ PEDESTAL ANCHORING SCREWS NOT INCLUDED.
- SUITABLE FOR REINFORCEMENT ONLY. ACTUAL DIMENSIONS MUST BE TAKEN FROM FIXTURE.
- FITTING NOT INCLUDED AND MUST BE ORDERED SEPARATELY.
- PROVIDE SUITABLE REINFORCEMENT FOR ALL WALL SUPPORTS.
- INSTALLATION INSTRUCTIONS SUPPLIED WITH LAVATORY.

**IMPORTANT:** Dimensions of fixtures are nominal and may vary within the range of tolerance established by ANSI Standard A112.19.2. These measurements are subject to change or cancellation. No responsibility is assumed for use of superseded or voided pages.

**TOWNSEND® PEDESTAL SINK and OPTIONAL FURNITURE**

**Pedestal Sink and Leg Combinations:**

- 0328.800** Faucet holes on 8" (203mm) centers (Illustrated)
- 0328.400** Faucet holes on 4" (102mm) centers
- 0328.100** Center hole only
  - Fine fireclay
  - Classic styled rectangular pedestal lavatory
  - Rear overflow
  - Supplied with mounting kit
  - Right Height® for greater comfort during use
  - Faucet ledge with large deck area (faucet not included)
  - Pedestal tops can also be used with design matched vanity or washstand furniture
  - **Design coordinates with Townsend® Collection**



Townsend pedestal combination 0328.800

**Bowl Size:**

19" (485mm) wide,  
12-3/4" (324mm) front to back,  
5" (128mm) deep

**Nominal Dimensions:**

*Pedestal Sink and Leg Combinations:*

30" x 19-1/2" x 35-1/4" (762 x 495 x 895mm)

*Pedestal Sink and Furniture Combinations:*

30" x 19-1/2" x 35-7/8" (762 x 495 x 910mm)

- 0328.008** Pedestal top-8" (203mm) centers
- 0328.004** Pedestal top-4" (102mm) centers
- 0328.001** Pedestal top-center hole only
- 0039.001** Pedestal leg only
- 9036.030** 30" (762mm) vanity less drawer pulls
- 7760.000** Drawer pulls (set of 2) for 30" (762mm) vanity
- 9039.030** 30" (762mm) washstand less towel bar
- 3749.000** Towel bar for 30" (762mm) washstand
- 7720.018** Optional decorative p-trap drain



Townsend pedestal top sink 0328.008  
shown with 9036.030 vanity  
and 7760.000 drawer pulls

**Compliance Certifications -**

**Meets or Exceeds the Following Specifications:**

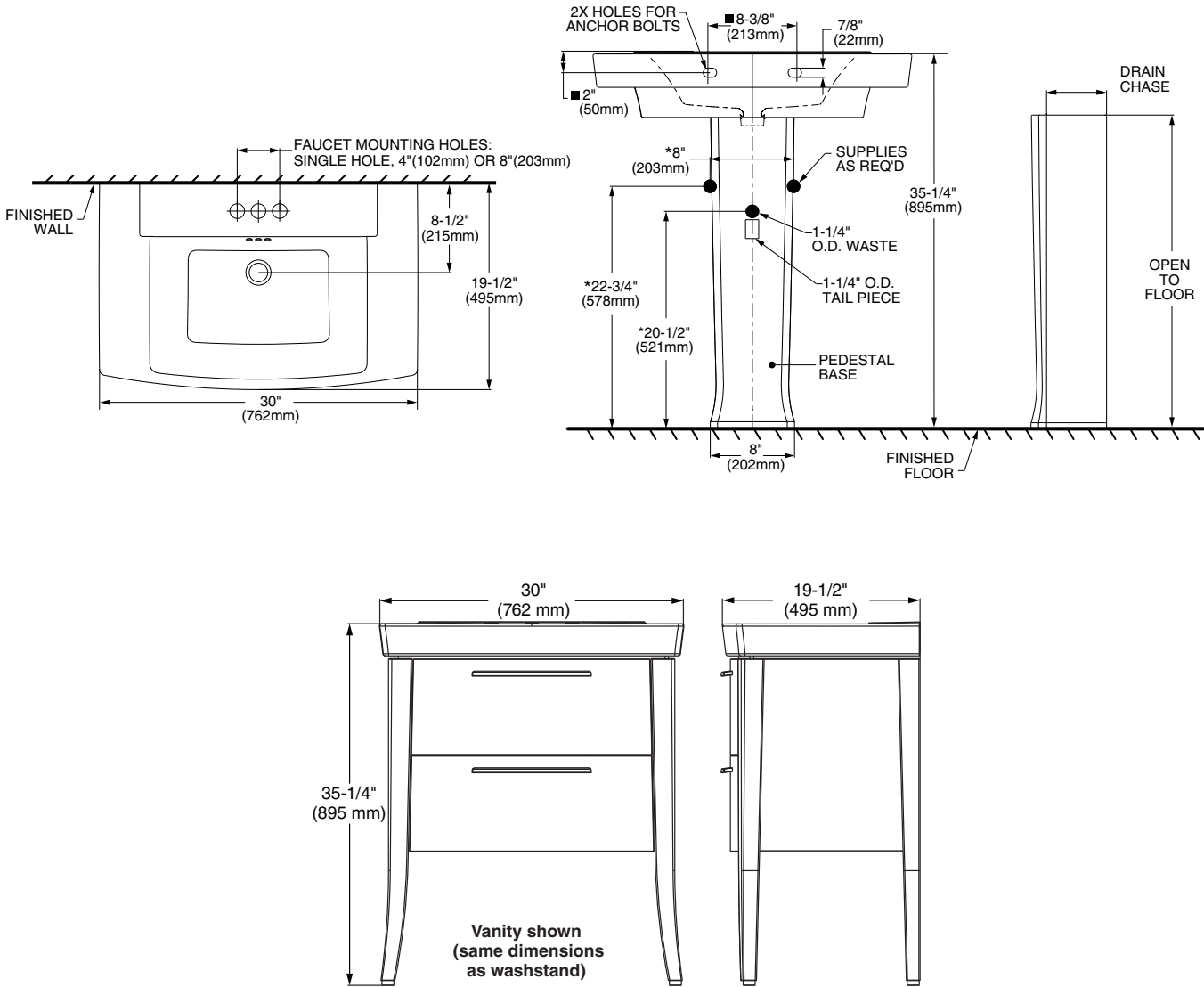
- ASME A112.19.2/CSA B45.1

SEE REVERSE FOR ROUGHING-IN DIMENSIONS

**To Be Specified:**

- Chinaware Color:  White  Linen
- Vanity Finish:  White  Smoked Grey
- Vanity Drawer Pulls Finish:  Chrome  Brushed Nickel
- Washstand Finish:  White  Smoked Grey
- Washstand Towel Bar Finish:  Chrome  Brushed Nickel
- Faucet\*:
- Supplies:
- P-Trap Finish:  Chrome  Brushed Nickel

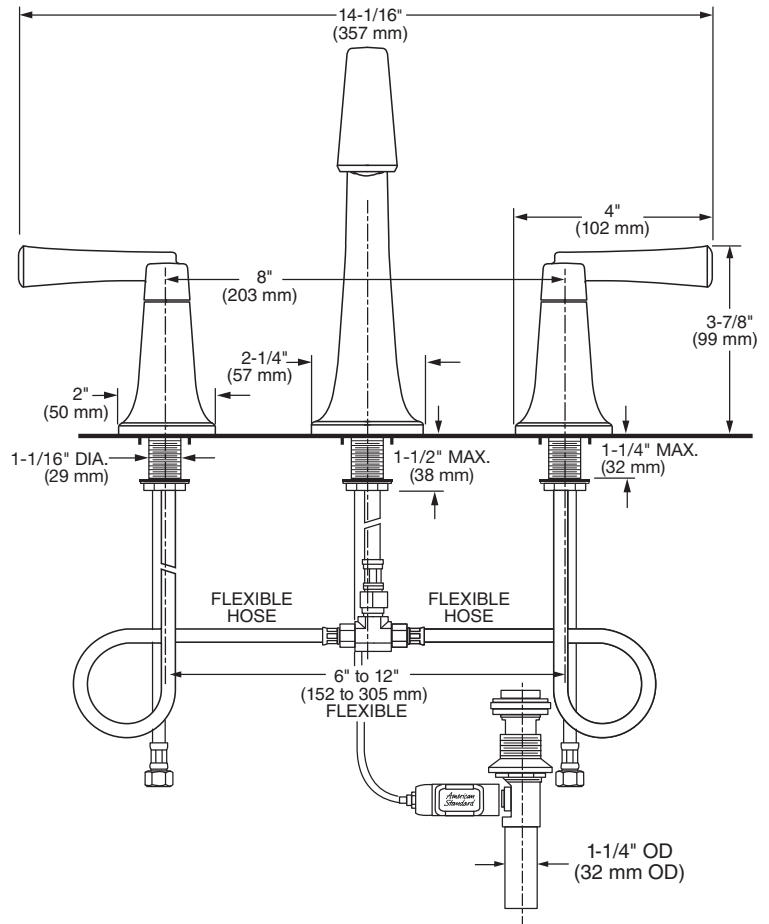
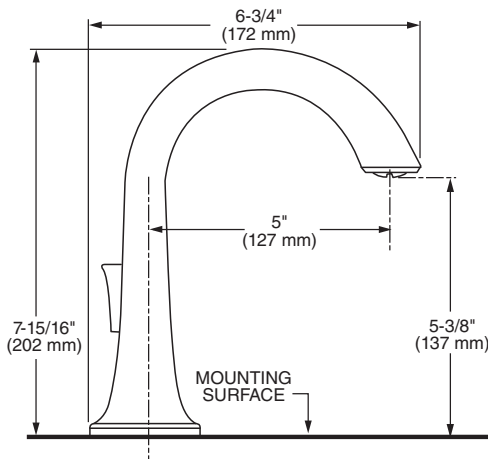
\* See Townsend faucet section for models available



**NOTES:**

\* DIMENSIONS SHOWN FOR LOCATION OF SUPPLIES AND "P" TRAPS ARE SUGGESTED.  
 ■ SUITABLE FOR REINFORCEMENT ONLY. ACTUAL DIMENSIONS MUST BE TAKEN FROM FIXTURE.  
 FITTING NOT INCLUDED AND MUST BE ORDERED SEPARATELY.  
 PROVIDE SUITABLE REINFORCEMENT FOR ALL WALL SUPPORTS.  
 INSTALLATION INSTRUCTIONS SUPPLIED WITH LAVATORY.  
 FURNITURE SPECIFIC INSTRUCTIONS SUPPLIED WITH OPTIONAL FURNITURE.

**IMPORTANT:** Dimensions of fixtures are nominal and may vary within the range of tolerance established by ANSI Standard A112.19.2  
 These measurements are subject to change or cancellation. No responsibility is assumed for use of superseded or voided pages.



**GENERAL DESCRIPTION:**

Cast brass valve bodies with flexible hose connections for 6" to 12" (152 mm to 305 mm) installations. 1/4 turn washerless ceramic disc valve cartridges. Cast brass spout. Cast brass inlet shanks and 24" stainless steel braided flexible supply hoses with 3/8" compression connectors. 20 inch (500 mm) long flexible stainless steel drain cable is pre-assembled to faucet body. Metal Speed Connect® drain body with 1-1/4 inch (32 mm) tail piece. 1.2 gpm/4.5 L/min. maximum flow rate.

**PRODUCT FEATURES:**

**Brass Construction:** Durable. Ideal for prolonged contact with water. Provides the finest surface of application of colors and finishes.

**Cast Brass Valve Bodies:** Durable. Ideal for prolonged contact with water.

**Exclusive Speed Connect Metal Drain:**

- Fewer parts. Installs in less time.
- No adjustments required - seals the first time, every time.
- Flexible stainless steel cable - installs effortlessly in tight spaces.

**Lead Free:** Faucet contains ≤ 0.25% total lead content by weighted average.

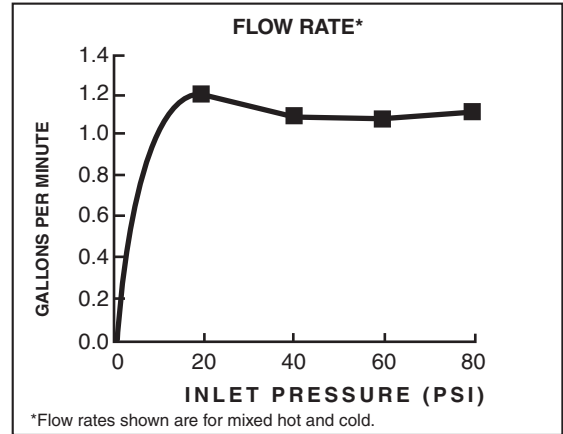
**SUGGESTED SPECIFICATION**

Two-handle widespread lavatory faucet shall feature cast brass valve bodies with flexible hose connections for 6" to 12" installations. Shall also feature 1/4 turn washerless ceramic disc valve cartridges. Shall also feature a metal drain body with stainless steel cable actuation. Fitting shall be American Standard Model #7353.801.\_\_\_\_\_.

**CODES AND STANDARDS**

These products meet or exceed the following codes and standards:

- ANSI A117.1**
- ASME A112.18.1**
- NSF 61/Section 9 and Annex G**
- CSA B125.1**



Product Number	Description	Finish Options			
		Polished Chrome	PVD Polished Nickel	Legacy Bronze	PVD Brushed Nickel
		002	013	278	295
7353.801	Townsend Widespread with Metal Speed Connect® pop-up drain. Metal lever handles				



Meets the American Disabilities Act Guidelines and **ANSI A117.1** Requirements for the physically challenged.