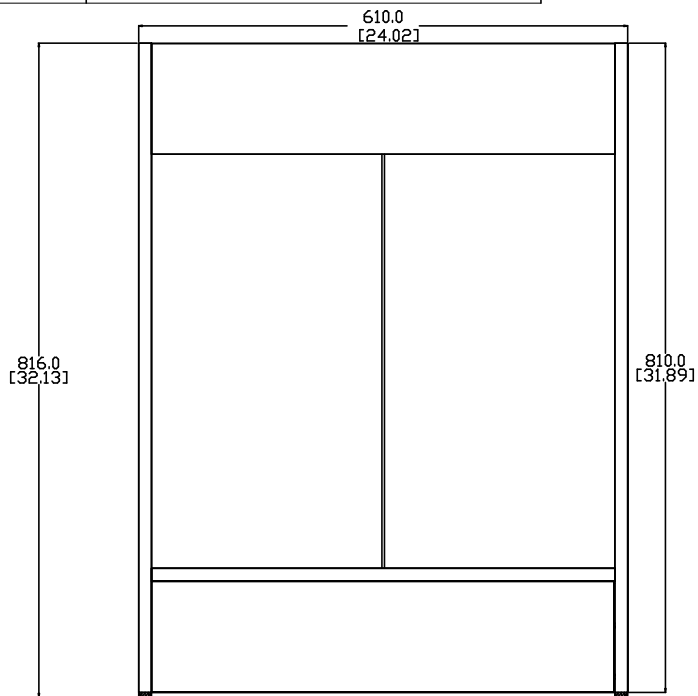
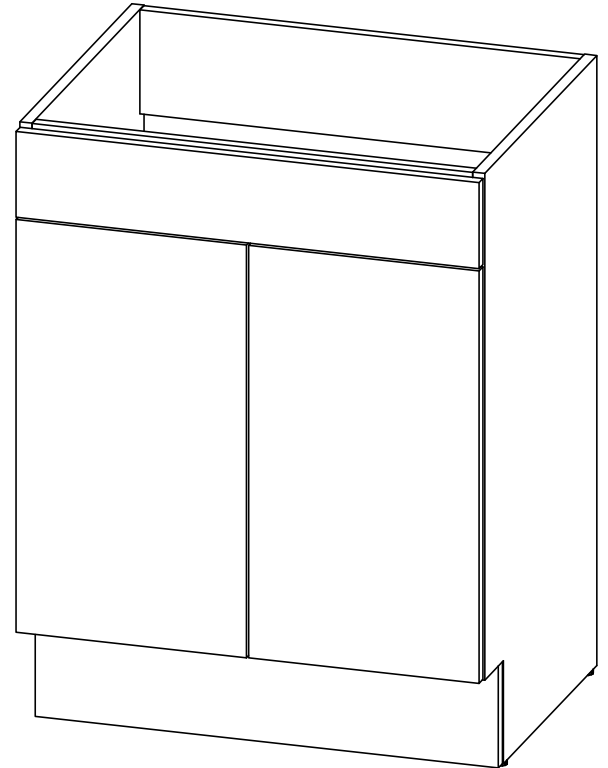


#	ITEM ID	DESCRIPTION
1	C424P3-EK	Concept 4, 24in w/VTop & Mirror - Elm Skye

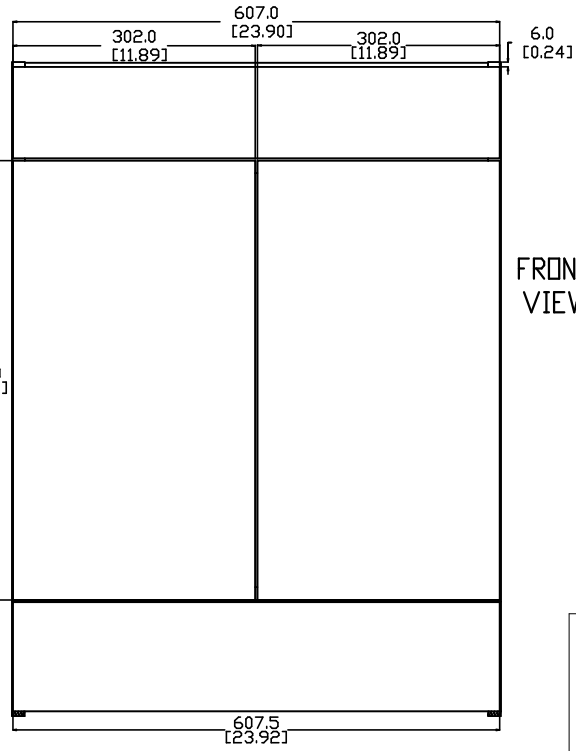
REV	ECD#	DESCRIPTION	APRV'D BY DATE
0		Released	CMR 5/17/18



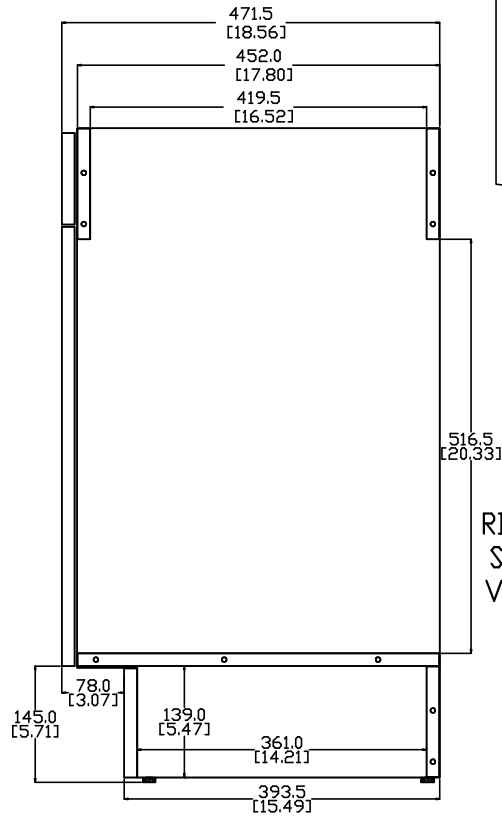
BACK VIEW



ISOMETRIC VIEW



FRONT VIEW



RIGHT SIDE VIEW

	Edge Banding	
(A) Surface	Cabinet Exterior	
(B) Surface	Cabinet Interior	
TAG	SIZE	QUANTITY
①	∅ 3 ↓ 3-9	#
②	∅ 5 ↓ 13	#
③	∅ 5 ↓ 30	#
④	∅ 6 ↓ 13	#
⑤	∅ 6 ↓ 19	#
⑥	∅ 7.5 ↓ THRU	#
⑦	∅ 8 ↓ 11.7	#
⑧	∅ 35 ↓ 11.7	#

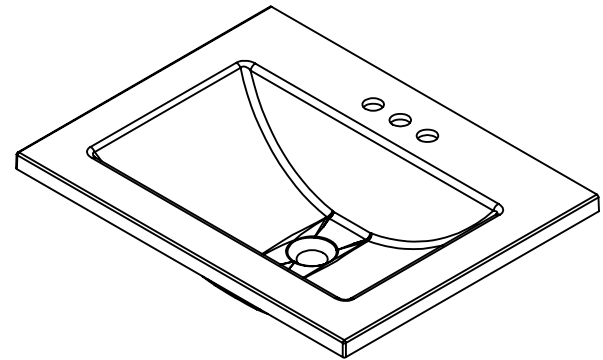
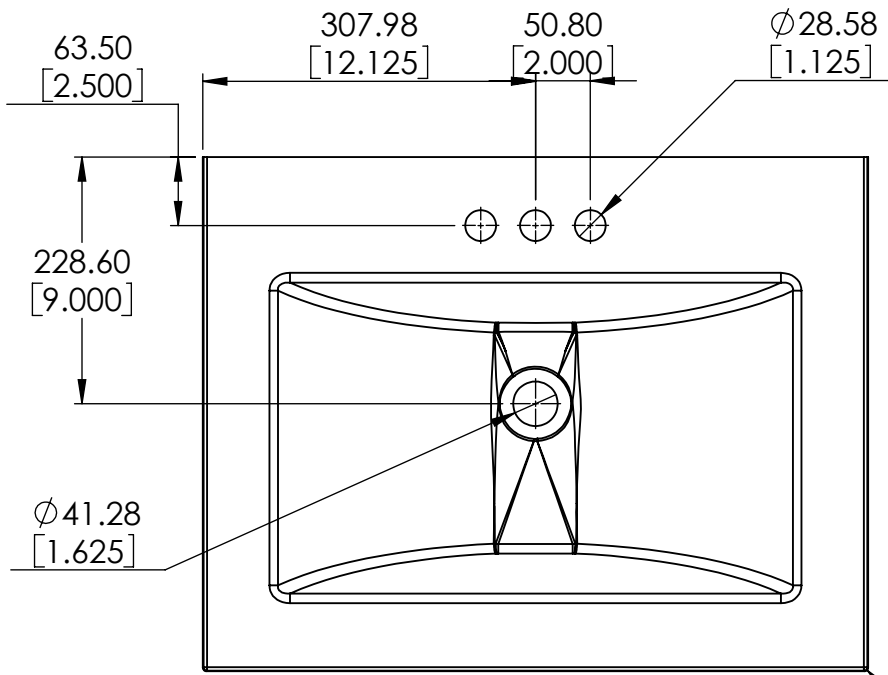


PROPRIETARY AND CONFIDENTIAL
 THE INFORMATION CONTAINED IN THIS DRAWING IS THE
 SOLE PROPERTY OF WOODCRAFTERS HOME PRODUCTS
 L.L.C. ANY REPRODUCTION IN PART OR AS A WHOLE
 WITHOUT THE WRITTEN PERMISSION OF WOODCRAFTERS
 HOME PRODUCTS L.L.C. IS PROHIBITED.

UNLESS OTHERWISE SPECIFIED
 DIMENSIONS ARE IN mm
 and[inches]
 AND TOLERANCES ARE
 +/- 1 [0.04]

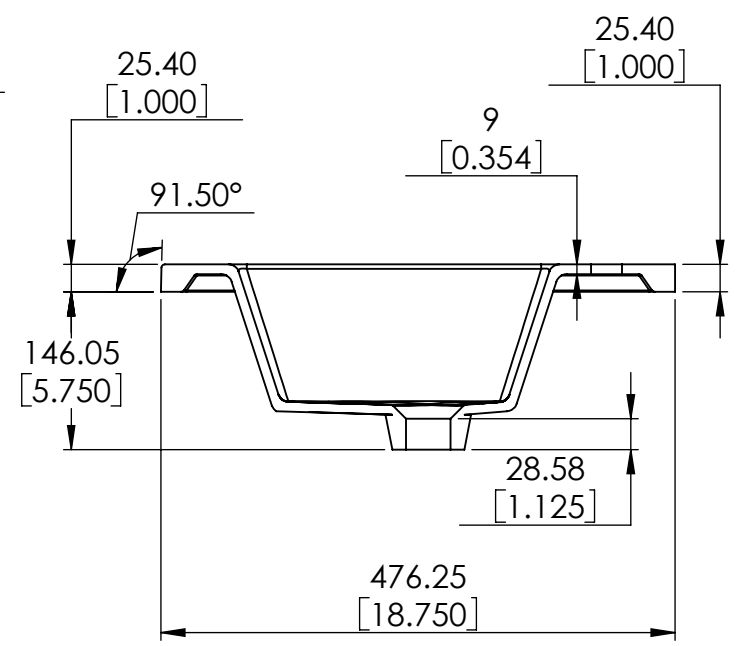
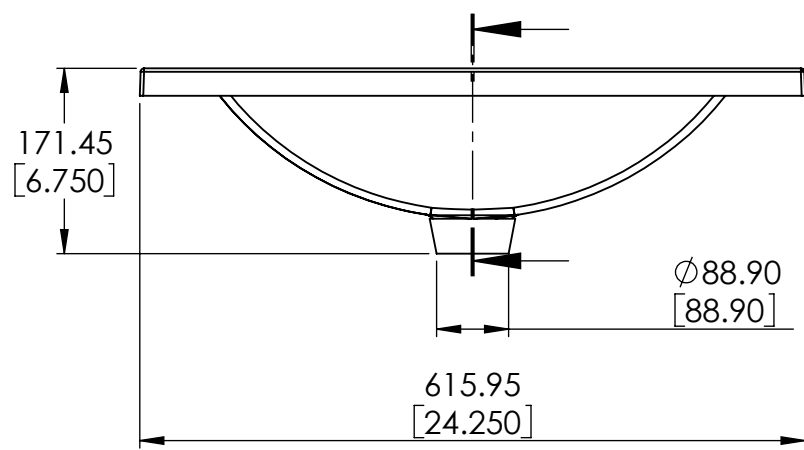
DRAWN BY:	Carlos Reyes
CHECKED BY:	Jagoberto Rdz
APPROVED BY:	Alexandro H.
DO NOT SCALE DRAWING	SCALE:

TITLE:	C424P3-EK 24" Elm Skye
SIZE	A
PART NO	PAGE 1 OF 1
REV:	0



TRUE R3.18 [0.125]

R3.18 [0.125]



PROPRIETARY AND CONFIDENTIAL
 THE INFORMATION CONTAINED IN THIS DRAWING IS THE SOLE PROPERTY OF WOODCRAFTERS. ANY REPRODUCTION IN PART OR AS A WHOLE WITHOUT THE WRITTEN PERMISSION OF WOODCRAFTERS IS PROHIBITED.

UNLESS OTHERWISE SPECIFIED
 DIMENSIONS ARE IN MM. AND [INCHES]
 TOLERANCES ARE
 + 3.175 [1.25] - 3.175 [0.125]
 SCALE: 1:7

	NAME	DATE
DRAWN	R. CAZAREZ	JAN/30/2013
CHECKED	R. CAZAREZ	JAN/30/2013
ENG APPR.	R. CAZAREZ	JAN/30/2013
MFG APPR.		


Wood Crafters
 SHEET 1 OF 1
 ALPINE TOP 24 - 2ND GENERATION - FG