

ASSEMBLY INSTRUCTIONS



wood knockdown
drying rack

ITEM #

DRY-01174 | DRY-01168

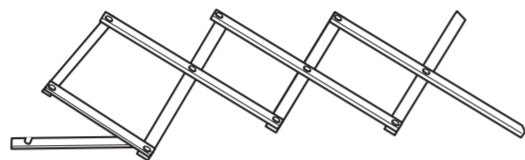
IMPORTANT! Plead read prior to use. This Honey-Can-Do wood knockdown Rack is designed for indoor use. Please do not over- load. To prevent tipping, we recommend that you evenly distribute the weight throughout the unit. Please keep drying bars horizontal when in

use. Please do not use rack for anything other than its intended use. Please use caution when collapsing drying rack as fingers can be pinched by collapsing side supports. Please keep away from heat sources such as heaters, furnaces, and fireplaces.

(QTY) DESCRIPTION	PART	ILLUSTRATION
-------------------	------	--------------

(2) side supports

A

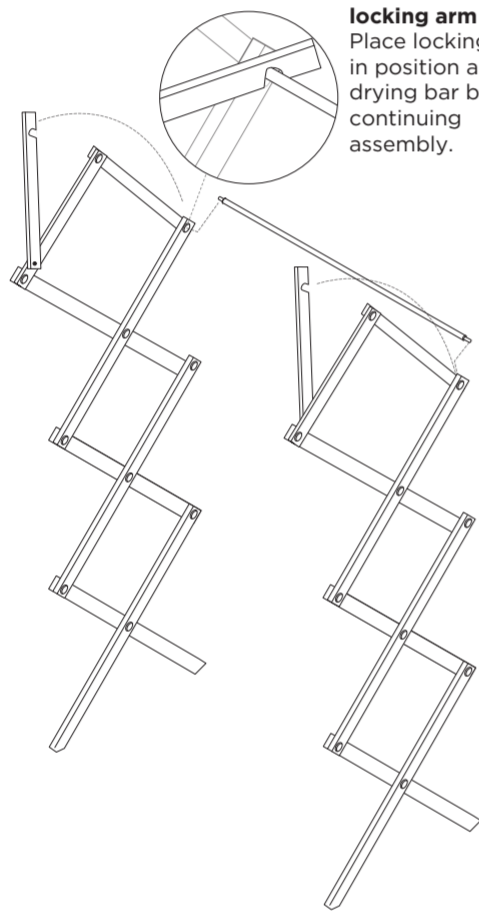


(10) dryer bars

B

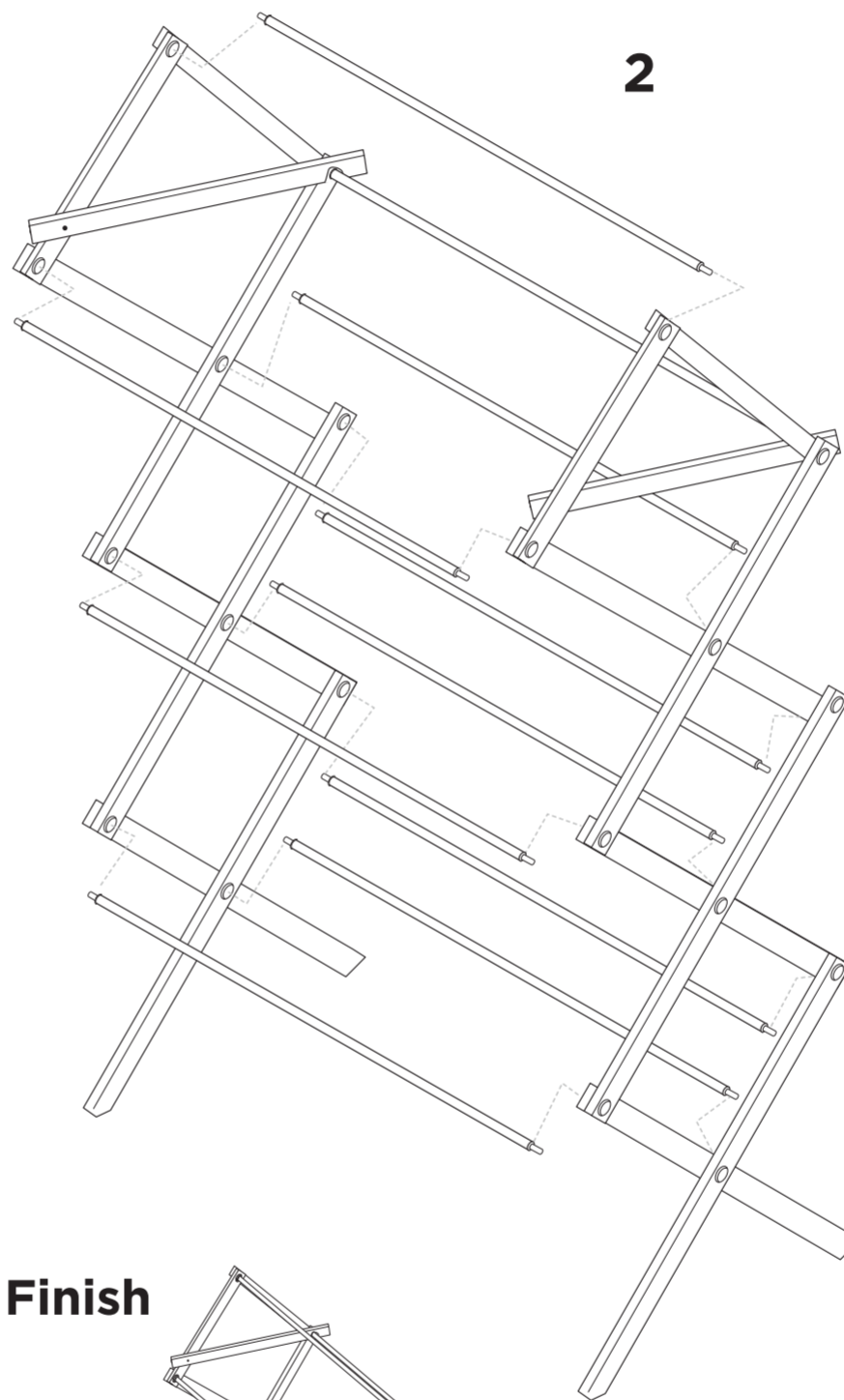


1

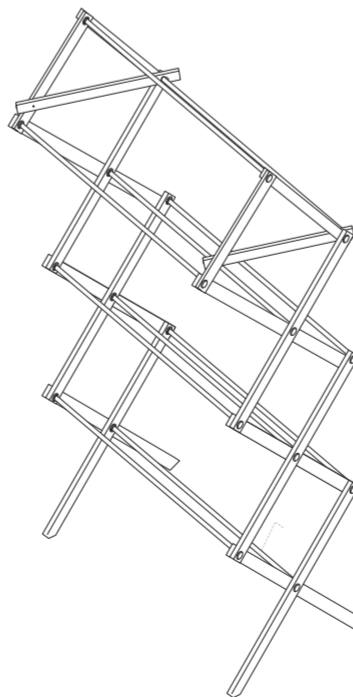


locking arm
Place locking arm in position around drying bar before continuing assembly.

2



Finish



INSTRUCTIONS

Thank you for purchasing a Honey-Can-Do Drying Rack. Please follow these step-by-step instructions. Please plan to spend about 10 minutes assembling your new rack.

1. Expand one side support (A) and insert one drying bar (B) into hole at position 1 (see step 1 drawing). Make sure that support bar (B) is on the same side of (A) as the locking arm. Move the locking arm of side support so that it locks in place around the drying bar (inset 1). Open the second side support (A). With the locking arm facing the first side support (A) insert the same drying bar (B) into hole at position 1 (see step 1 drawing).
2. With both locking arms in locked position continue to insert remaining drying bars starting at the top and working your way down to the bottom.
3. When all bars are in place finish your installation by applying firm even pressure by tapping both sides of drying rack together to ensure all drying bars fit tightly.

For assistance, please contact us at info@honeycando.com or 877.242.2636.

LIMITED LIFETIME WARRANTY

This product is warranted to be free of defects in material and workmanship for as long as the consumer owns the product. At Honey-Can-Do's option, defective product will be repaired, replaced or substituted with a product of equal value. For warranty service, e-mail Honey-Can-Do at warranties@honeycando.com or call at (877) 242-2636. You may also contact Honey-Can-Do at 5750 McDermott Drive, Berkeley, IL 60163. Do not dispose of the defective item until or unless

you are specifically asked to do so by Honey-Can-Do as we may require return of the defective item. Honey-Can-Do shall in no event be liable for any incidental or consequential damages. Some states do not allow the exclusion or limitation of incidental or consequential damages, so the above exclusion may not apply to you. This warranty gives you specific legal rights, and you may also have other rights, which may vary from state to state.

honey-can-do international	5750 McDermott Drive, Berkeley, IL 60163 USA	tele 877.242.2636	fax 708.775.7070	www.honeycando.com
----------------------------	--	-------------------	------------------	--

17 inch-431.8 mm