



# SPR627OS2D



34" x 23.63" x 23.63" (H x W x D)

Outdoor drawer refrigerator in stainless steel, for built-in residential or commercial use

### Highlights:

Weatherproof design ensures safe operation in the outdoors

Stainless steel cabinet and drawers offer long-lasting luxury

Flexible design allows built-in or freestanding use in 24" wide spaces

Deluxe interior comes fully featured for user convenience

### Product Features:

Weatherproof design	Designed and constructed for durable use in the outdoors
Commercially approved	ETL-S listed to NSF-7 Standards for use in commercial establishments
Built-in capable	Front-breathing design lets you make the best use of space by installing your appliance under the counter
Stainless steel exterior	Cabinet and drawers are fully constructed from weatherproof stainless steel
Two drawers	Slide-out drawers offer 3.4 cu.ft. of interior storage
Digital thermostat	Electronic controls ensure easy temperature management, with an external readout in Celsius or Fahrenheit
LED lighting	Elegant and efficient lighting offers a gentle illumination for the drawer interiors
Professional handles	Sleek stainless steel handles add an elegant touch to any setting
Open drawer alarm	Audible alarm will sound if either drawer is left open longer than one minute

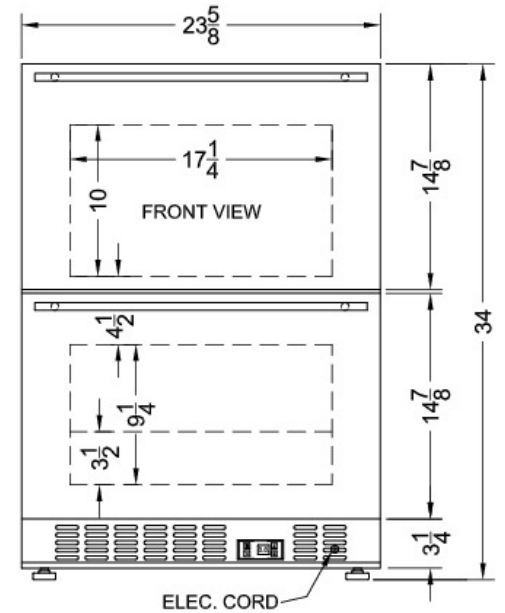
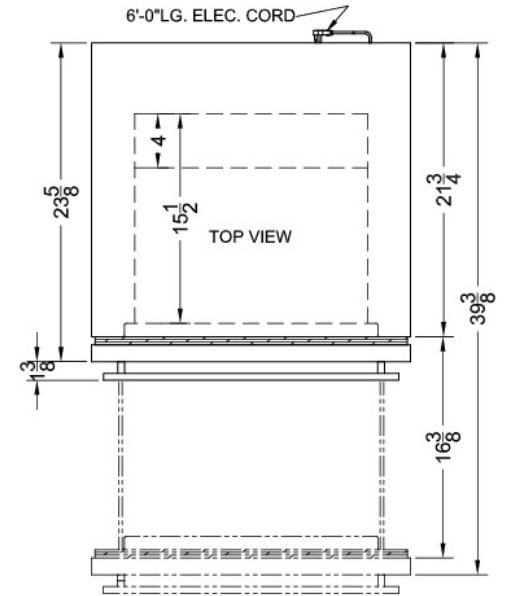


## SPR627OS2D Specifications:

Overview	
Height	34.0"
Width	23.63"
Depth	23.63"
Depth with Handle	25.0"
Depth with door at 90°	39.38"
Capacity	3.4 cu.ft.
Defrost Type	Frost-Free
Door	Stainless Steel
Cabinet	Stainless Steel
US Electrical Safety	ETL
Canadian Electrical Safety	ETL-C
Sanitation	ETL-S
Energy Usage/Year	275.0kWh/year
Amps	0.8
Voltage/Frequency	115 V AC/60 Hz
Weight	106.0 lbs.
Shipping Weight	130.0 lbs.
Parts & Labor Warranty	1 Year
Compressor Warranty	5 Years
Refrigerator Features	
Door Swing	Drawer
Thermostat Type	Digital
Fan Type	Interior and Exterior
Refrigerant Type	R600a
Refrigerant Amount	0.99oz.
High Side PSI	270.0
Low Side PSI	105.0
Level Legs Qty	2
Interior Light	Yes
Interior Drawers	Yes
Interior Drawers Qty	2
Dimensions	
Interior Height 1	9.25"
Interior Width 1	17.25"
Compressor Step Height	3.5"
Compressor Step Width	17.25"

Compressor Step Depth 4.0"

Drawer Dimensions	
Interior Depth 1	15.5"
Interior Height 2	10.0"
Interior Width 2	17.25"
Interior Depth 2	15.5"



SUMMIT APPLIANCE DIVISION FELIX STORCH, INC.

770 Garrison Avenue, Bronx, NY 10474 USA TEL 718-893-3900 FAX 844-478-8799

info@summitappliance.com

www.summitappliance.com