

AG Shelter Series - Retail

Corral Shelter Enclosure Kit

Added coverage for corral panels to shade and protect livestock.



Corral panels and Corral Shelter not included



Ripstop Tough Fabric - 7.5 oz. Triple-layer woven polyethylene is heat sealed, not stitched for maximum water resistance. UV treated inside, outside and in between with added fade blockers.



Universal - fits all 12 x 5 ft. corral panels.



Lacing Rope - for quick and easy installation and removal.

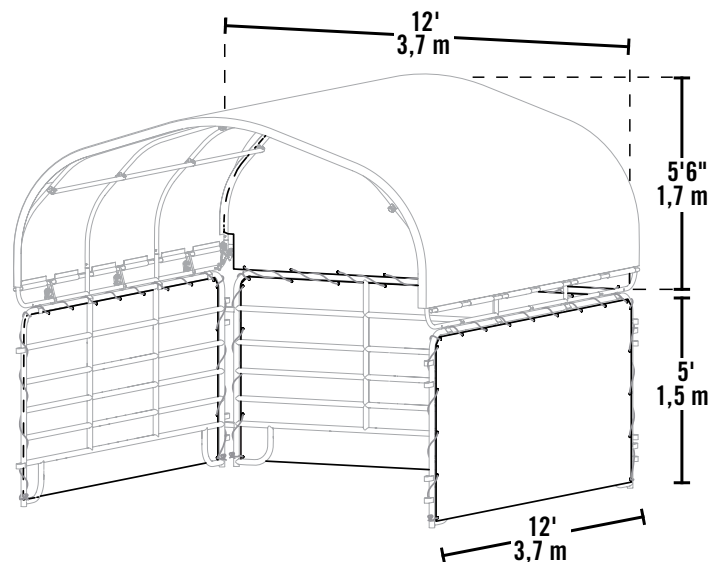


Ratchet Tite™ tensioning on end panel for a drum-tight cover.



Full-color, high impact retail packaging

Great For: Horses, cattle, and most livestock; hay and agricultural storage



We've Got You Covered.™
North America's #1 Shelter Manufacturer.

Model #51482

Package Includes:

- (1) End Panel - Green
- (3) Side Panels - Green
- Lacing Rope
- Complete Hardware Kit
- Easy step-by-step instructions

Packaging Specifications:

- 1 box
- Total weight: 19 lbs. / 8,6 kg
- Box Dimensions: 42.5 x 17.3 x 3.9 in. 108 x 44 x 10 cm
- Container Qty.: 1265 (40')

