

# KHU123-32

23 Inch Undermount Single Bowl 16 Gauge  
Stainless Steel Kitchen Sink  
Satin Finish

Kräus®

SPECIFICATION SHEET

### Material

16 Gauge Stainless Steel

### Minimum Cabinet Size

Undermount : 36"

### Installation Type

Undermount

### Dimensions

Sink Dimensions: 32" x 20" x 10"

### Bowl Type

Double Bowl Sink  
Offset: 60/40  
Handmade

### Accessories Included

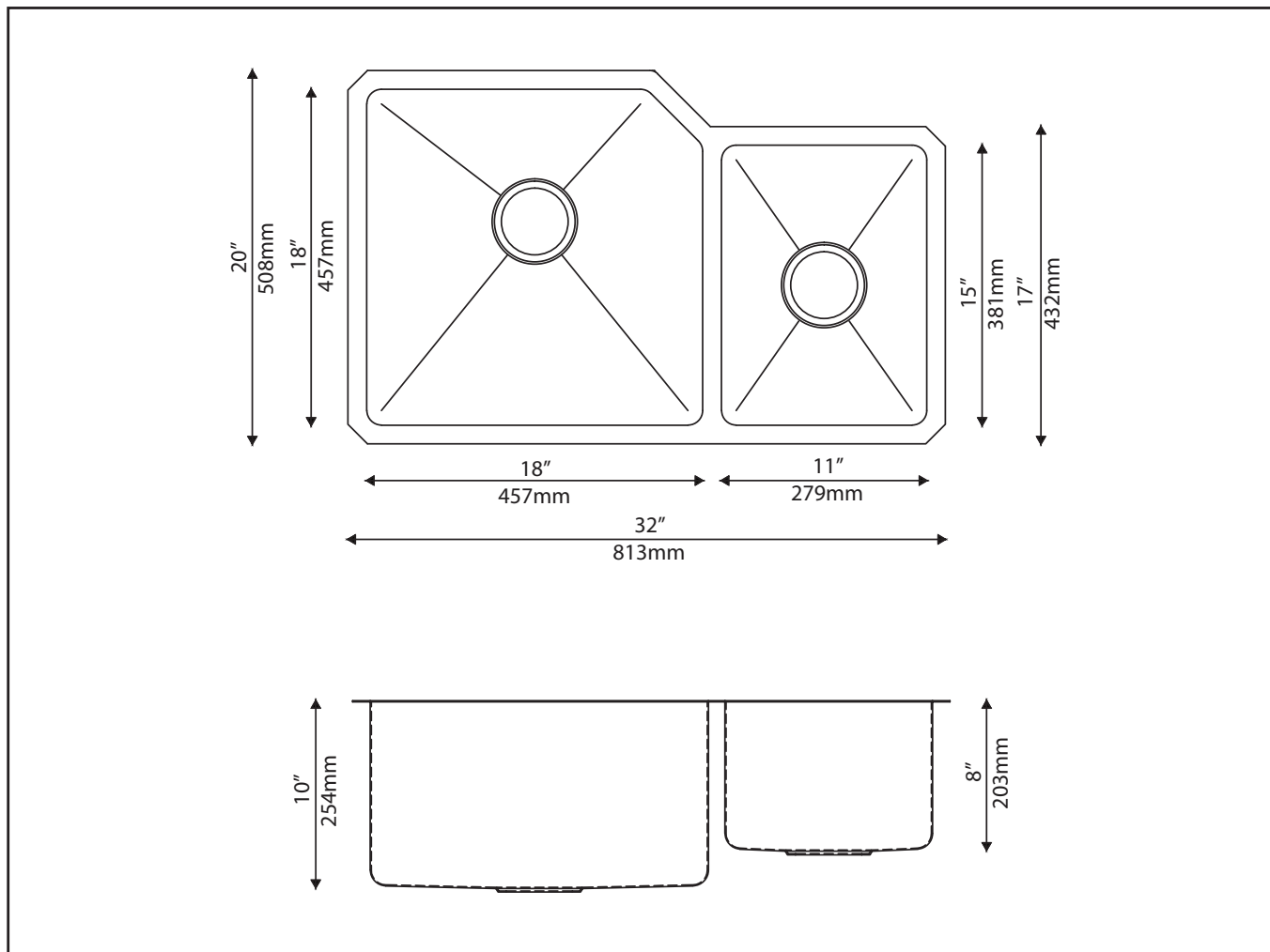
KBG-123-32-1 & KBG-123-32-2, BST-1 & ST-1,  
Mounting Hardware, Template, Towel

### Technology

Noise Defend

Kraus Limited Lifetime Warranty: See website for details [www.kraususa.com](http://www.kraususa.com)

1.800.775.0703 / [customerservice@kraususa.com](mailto:customerservice@kraususa.com)



Codes/Standards: Meets ASME A112.19.3/CSA B45.4

REV. August 15, 2016