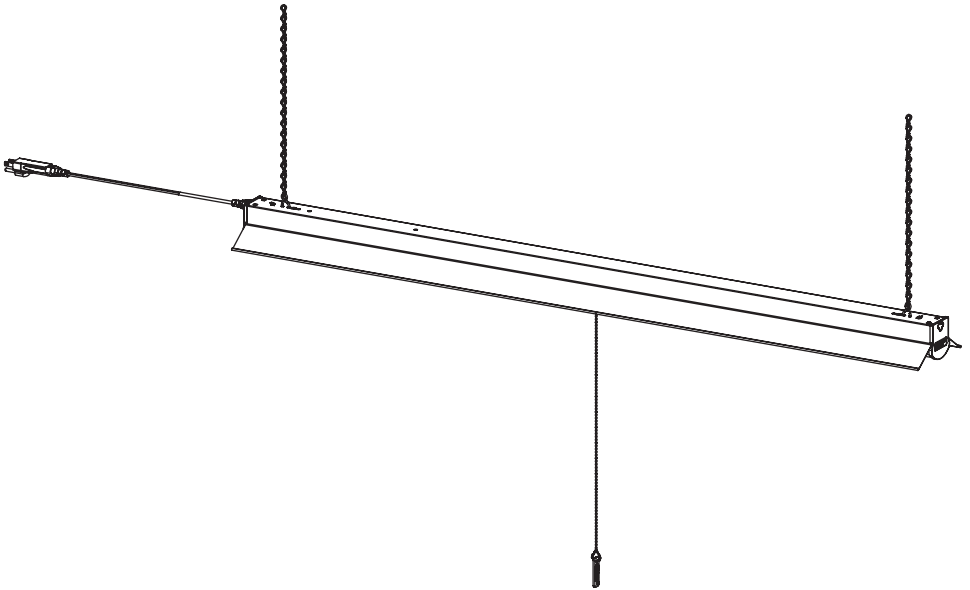


# USE AND CARE GUIDE

---

## LINKABLE LED SHOP LIGHT



Questions, problems, missing parts? Before returning to the store,  
call Commercial Electric Customer Service  
8 a.m. - 7 p.m., EST, Monday - Friday  
9 a.m. - 6 p.m., EST, Saturday



1-877-527-0313

HOMEDEPOT.COM



---

### THANK YOU

*We appreciate the trust and confidence you have placed in Commercial Electric through the purchase of this LED light. We strive to continually create quality products designed to enhance your home. Visit us online to see our full line of products available for your home improvement needs. Thank you for choosing Commercial Electric!*

# Table of Contents

Table of Contents .....	2	Hardware Included.....	3
Safety Information .....	2	Installation .....	4
Warranty .....	2	Suspension Mounting.....	5
Pre-Installation .....	3	Linking Feature .....	6
Planning Installation .....	3	Optional Surface Mounting.....	7
Tools Required .....	3	Care & Cleaning .....	8
Package Contents .....	3	Troubleshooting .....	8

## Safety Information



**CAUTION:** Use the hook to support the chain, not the electrical cord.



**CAUTION:** Do not install on a radiant-heating type ceiling.

**NOTICE:** The maximum distance to the electrical receptacle is determined by the 5 ft. power cord length.

**NOTICE:** Connect up to a maximum of nine 4 ft. shop lights. Do not exceed 324 total watts for interconnected lights.

**NOTICE:** When interconnecting shop lights, the maximum distance between two light fixtures is 5 ft. based on the length of the linking cable provided.

**NOTICE:** Shop light is 120VAC, 0.3A, 35W, 60Hz.

**NOTICE:** This equipment has been tested and found to comply with the limits for a Class B digital device, pursuant to Part 15 of the FCC Rules. These limits are designed to provide reasonable protection against harmful interference in a residential installation.

This equipment generates, uses and can radiate radio frequency energy and, if not installed and used in accordance with the instructions, may cause harmful interference to radio communications.

However, there is no guarantee that interference will not occur in a particular installation. If this equipment does cause harmful interference to radio or television reception, which can be determined by turning the equipment off and on, the user is encouraged to try to correct the interference by one or more of the following measures:

- Reorient or relocate the receiving antenna
- Increase the separation between the equipment and the receiver.
- Connect the equipment into an outlet on a circuit different from that to which the receiver is connected.
- Consult the dealer or an experienced radio/TV technician for help.



**WARNING:** Changes or modifications not expressly approved by the party responsible for compliance could void the user's authority to operate the equipment.

## Warranty

### WHAT IS COVERED

The manufacturer warrants this lighting fixture to be free from defects in materials and workmanship for a period of five (5) years from date of purchase. This warranty applies only to the original consumer purchaser and only to products used in normal use and service. If this product is found to be defective, the manufacturer's only obligation, and your exclusive remedy, is the repair or replacement of the product at the manufacturer's discretion, provided that the product has not been damaged through misuse, abuse, accident, modifications, alterations, neglect, or mishandling.

### WHAT IS NOT COVERED

This warranty shall not apply to any product that is found to have been improperly installed, set-up, or used in any way not in accordance with the instructions supplied with the product. This warranty shall not apply to a failure of the product as a result of an accident, misuse, abuse, negligence, alteration, faulty installation, or any other failure not relating to faulty material or workmanship. This warranty shall not apply to the finish on any portion of the product, such as surface and/or weathering, as this is considered normal wear and tear.

The manufacturer does not warrant and specifically disclaims any warranty, whether express or implied, of fitness for a particular purpose, other than the warranty contained herein. The manufacturer specifically disclaims any liability and shall not be liable for any consequential or incidental loss or damage, including but not limited to any labor / expense costs involved in the replacement or repair of said product.

Contact the Customer Service Team at 1-877-527-0313 or visit [www.HomeDepot.com](http://www.HomeDepot.com).

# Pre-Installation

## PLANNING INSTALLATION

Before beginning assembly, installation or operation of the product, make sure all parts are present. Compare parts with package contents list and hardware contents list above. If any part is missing or damaged, do not attempt to assemble, install or operate the product. Contact customer service for replacement parts.



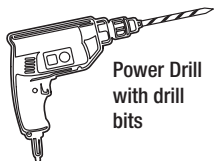
**NOTE:** Keep your receipt and these instructions for proof of purchase.

Select a suitable location that can support the weight of the fixture.

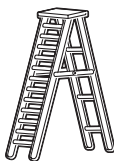
## TOOLS REQUIRED



Measuring Tape



Power Drill with drill bits



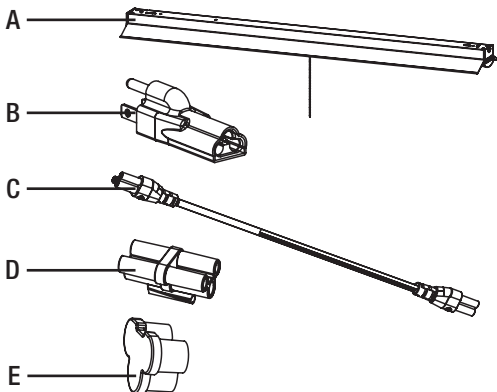
Ladder



Safety Goggles

## PACKAGE CONTENTS

Part	Description	Quantity
A	Shop Light	1
B	Electrical Plug Adapter	1
C	5 ft. Power Cord/ Linking Cable	1
D	End-to-End Connector	1
E	End Cap	1



## HARDWARE INCLUDED



**NOTE:** Hardware not shown to actual size.

Part	Description	Quantity
AA	Mounting Chain with S Hook	2
BB	S Hook (Optional)	2
CC	Cable Tie	1



AA



BB



CC

# Installation

Determine the method for mounting the fixture based on the type of ceiling before drilling. Depending on the method chosen for mounting the fixture, mark two spots for the mounting hardware (not included).

- Mark two spots on the ceiling 43 in. apart for suspension mounting.
- Mark two spots on the ceiling or wall 42 in. apart for surface mounting.



**NOTE:** Separate mounting hardware (not included) not shown to actual size.

## SUSPENSION MOUNTING

For mounting to drywall:  
Toggle bolt x 2



For mounting to wood:  
Hook screw x 2

Part	Description	Quantity
Toggle Bolts	Consisting of a No. 10-24 bolt 2-7/8 inches long with two tapered wings 1 x 5/16 inch.	2
Studs	Measuring 1-3/4 inches overall and having 1-1/4 inches of wood screw threads on one end and at least six No. 10-24 machine screw threads on the other end.	2
Metal Hooks	With a No. 10-24 threaded hole that engages the bolt threads.	2



**NOTE:** Eye hooks can be used as an alternate method of attaching the fixture to the ceiling.

## OPTIONAL SURFACE MOUNTING

For mounting to drywall:  
Mounting Screw x 3  
Drywall Anchor x 3



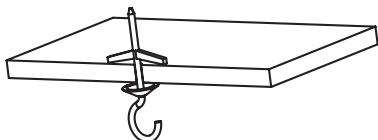
For mounting to wood:  
Mounting Screw x 3



# Suspension Mounting

## 1 Mounting to drywall

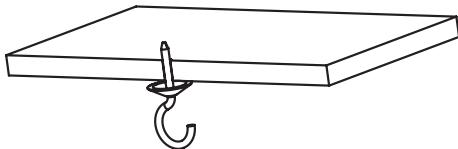
- Drill two holes large enough to clear the closed flaps of the butterfly nut on the toggle bolt (not included). Make sure to fasten the toggle bolt into the butterfly nut before inserting the flaps into the ceiling.
- Tighten the toggle bolt.



**NOTE:** If using eye hooks in the ceiling instead, two optional S hooks are provided for hanging the fixture.

## 2 Mounting to wood

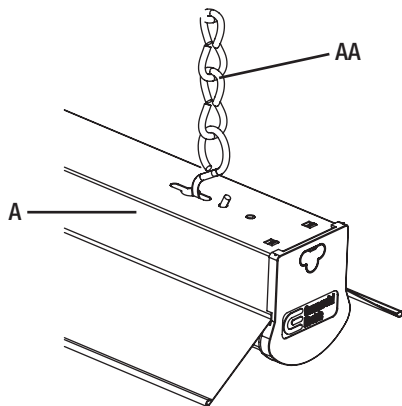
- Drill two 1/16 in. diameter holes in the ceiling to accommodate hook screws (not included). Make sure to fasten the combo wood-machine end into the metal hook.
- Tighten the hook screw into the wood.



**NOTE:** If using eye hooks in the ceiling instead, two optional S hooks are provided for hanging the fixture.

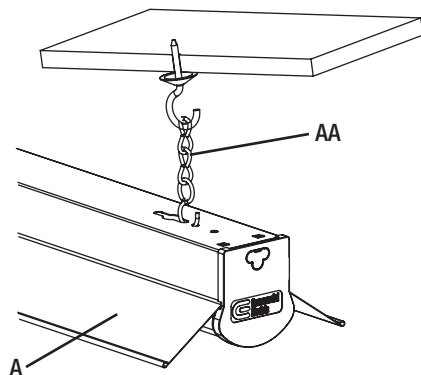
## 3 Attaching the light to the chain

- Attach the S hook at the bottom of the mounting chain (AA) to the hanger on the shop light (A). Repeat this step on the other side of the fixture.



## 4 Attaching the chain to the ceiling

- Hang the shop light (A) by placing one chain (AA) over each hook (not included) that has been installed on the ceiling.
- Adjust chains to level light. The fixture must hang at least 3 in. from the ceiling.

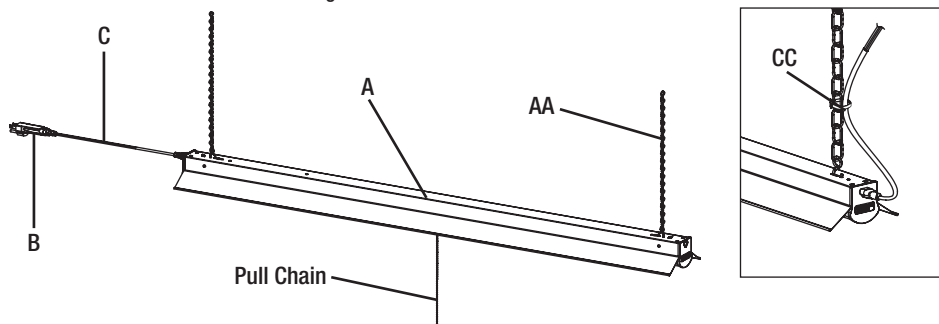


**NOTE:** If using eye hooks in the ceiling instead, two optional S hooks are provided to attach the chain to the eye hook in the ceiling.

## Suspension Mounting (continued)

### 5 Connecting the power cord

- Insert one end of the power cord/linking cable (C) into the electrical plug adapter (B).
- Plug the other end of the power cord/linking cable (C) into the receptacle at the end of the shop light (A) and then plug the electrical plug adapter (B) into an electrical outlet.
- Attach the power cord (C) to the chain (AA) with the cable tie (CC) provided.
- Pull the chain down to turn the light on and off.



**CAUTION:** When suspension mounting, make sure the light fixture is located directly below the electrical outlet. Excess cord should be secured to the mounting chain (AA) with the cable tie (CC) provided.

## Linking Feature

**WARNING:** RISK OF ELECTRIC SHOCK. Disconnect power to the shop light before linking additional shop lights.

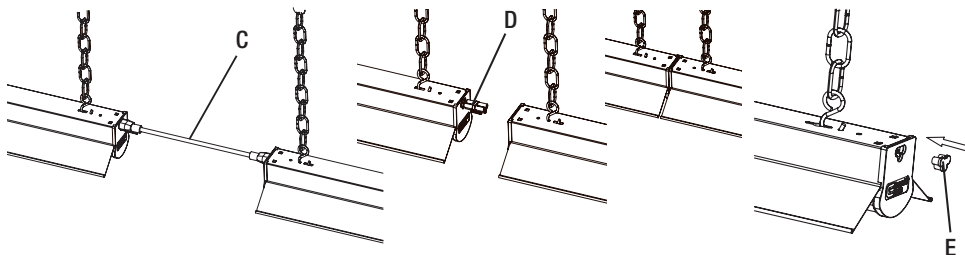
### LINKING MULTIPLE SHOP LIGHTS

Multiple light fixtures can be connected, up to a maximum of nine 4 ft. shop lights or 324 total watts. Only the first light fixture needs to be plugged into an electrical outlet.

- Connect each additional fixture using either the linking cable (C) or end-to-end connector (D). When using the linking cable, the maximum distance between two light fixtures is 5 ft.

**NOTE:** For best results, fully insert the linking cable or end-to-end connector into the receptacle in the end of the shop light.

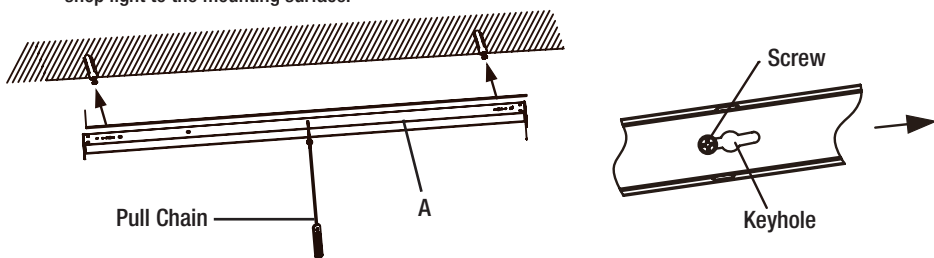
**WARNING:** RISK OF ELECTRIC SHOCK. If the receptacle on the end of the shop light is not used to link to another fixture, the receptacle needs to be closed by the end cap (E). Do not touch live parts inside the receptacle.



# Optional Surface Mounting

## 1 Mounting to a flat surface - wall or ceiling

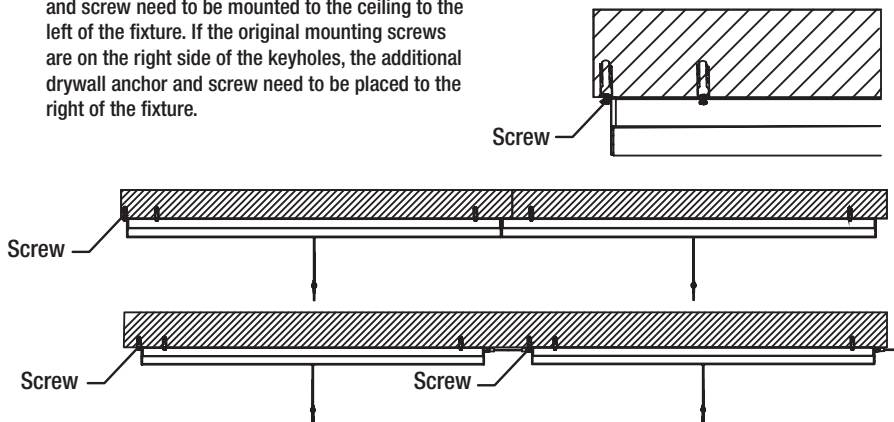
- Drill two holes in the wall or ceiling 42 in. inches apart.
- Insert a drywall anchor and a mounting screw (not included) into each drilled mounting hole, but do not tighten fully. The diameter of the screw head used for installation should be 7.5 mm.
- Align the keyholes on the shop light (A) with the mounting screws in the mounting surface. Once the screw heads are through the large ends of the keyholes, slide the fixture until the heads of the screws slide into the narrow ends of the keyholes. You may need to further tighten the screws in order to firmly secure the shop light to the mounting surface.



**NOTE:** Drywall anchors are only to be used for mounting the fixture onto plaster or drywall surfaces.

## 2 Locking the fixture to the mounting surface

- Insert an additional drywall anchor and screw (not included) in the ceiling at the end of the light fixture to prevent it from accidentally sliding off the screw heads. If the original mounting screws are on the left side of the keyholes, then another drywall anchor and screw need to be mounted to the ceiling to the left of the fixture. If the original mounting screws are on the right side of the keyholes, the additional drywall anchor and screw need to be placed to the right of the fixture.



## Care & Cleaning



**CAUTION:** Before attempting to clean the fixture, disconnect the power to the fixture.

- Clean the fixture with a soft, dry cloth.
- Do not use cleaners with chemicals, solvents, or harsh abrasives.

## Troubleshooting



**WARNING:** Before doing any work on the fixture, disconnect power to the light fixture.

Minor problems often can be fixed without the help of an electrician.

Problem	Possible Cause	Corrective Action
The fixture will not light.	The power is off.	Ensure the power supply is on.
	The circuit breaker is off.	Ensure the circuit breaker is in the on position.
	There is a bad connection.	Check to ensure proper wire connections are made. Contact a qualified electrician.
	There is a defective switch.	Contact a qualified electrician.
The fuse blows or the circuit breaker trips when the light is turned on.	The wires are crossed or the power wire is grounding out.	Check the wire connections. Contact a qualified electrician or call Commercial Electric customer service 1-877-527-0313.







Questions, problems, missing parts? Before returning to the store,  
call Commercial Electric Customer Service  
8 a.m. - 7 p.m., EST, Monday - Friday  
9 a.m. - 6 p.m., EST, Saturday

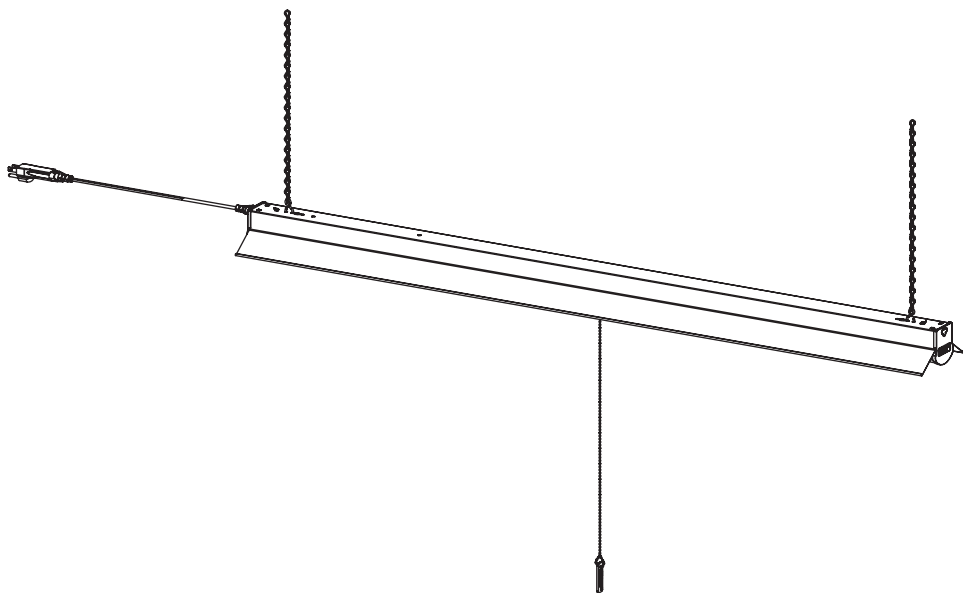
**1-877-527-0313**

**HOMEDEPOT.COM**

Retain this manual for future use.

# MANUAL DE USO Y CUIDADO

## LÁMPARA LED DE TALLER ENLAZABLE



¿Preguntas, problemas, piezas faltantes? Antes de devolver el producto a la tienda, llame al Centro de Atención al Cliente de Commercial Electric en el horario de 8 a.m. - 7 p.m., Hora del Este de EE.UU., de lunes a viernes. 9 a.m. - 6 p.m., Hora del Este de EE.UU., sábados.



1-877-527-0313

HOMEDEPOT.COM



### GRACIAS

*Apreciamos la confianza que ha puesto en Commercial Electric a través de la compra de esta luz LED. Nos esforzamos por crear constantemente productos diseñados para realzar su hogar. Visítenos en línea para ver nuestra gama completa de productos disponibles para sus necesidades al momento de hacer mejoras en su hogar. ¡Muchas gracias por elegir a Commercial Electric!*

# Contenido

Contenido .....	12	Piezas incluidas .....	13
Información sobre seguridad .....	12	Instalación .....	14
Garantía .....	12	Instalación suspendida .....	15
Previo a la instalación .....	13	Opción de enlace .....	16
Planificación de la instalación .....	13	Instalación opcional en superficie .....	17
Herramientas necesarias .....	13	Cuidado y limpieza .....	18
Contenido del paquete .....	13	Solución de problemas .....	18

## Safety Information



**ADVERTENCIA:** Use el gancho para brindar soporte a la cadena, no al cable eléctrico.



**ADVERTENCIA:** No instalarlo en cielorrasos con calefacción radiante.

**AVISO:** La distancia máxima al receptáculo está determinada por la longitud 5 pies del cable suministrado.

**AVISO:** Conecte hasta un máximo de nueve dispositivos de luz de 4 pies. Las luces interconectadas no deben superar los 324 vatios en total.

**AVISO:** Cuando se interconectan los dispositivos de luz para taller, la distancia máxima entre dos dispositivos es 5 pies, según la longitud del cable de enlace suministrado.

**AVISO:** El dispositivo de luz para taller es de 120 vAC, 0.3A, 35W, 60Hz.

**AVISO:** Este equipo ha sido probado y se halló que cumple con los límites establecidos para la clase B de dispositivos digitales, conforme a la Parte 15 de las Normas de FCC. Estos límites se establecen para brindar protección razonable contra interferencia dañina en una instalación residencial.

Este equipo genera, utiliza y puede irradiar energía de frecuencias de radio y, si no se instala conforme a las instrucciones, puede provocar interferencia dañina a las comunicaciones de radio.

Sin embargo, no existe garantía de que la interferencia no se produzca en una instalación en particular. Si este equipo produce interferencia dañina a la recepción de radio o televisión, lo que puede determinarse encendiendo y apagando el equipo, se insta al usuario a intentar corregir la interferencia mediante uno de los siguientes métodos:

- Cambie la orientación o ubicación de la antena receptora.
- Aumente la separación entre el equipo y el receptor.
- Conecte el equipo en un tomacorriente que esté en un circuito diferente al cual está conectado el receptor.
- Consulte con el representante o con un técnico experimentado en radio y televisión para solicitar asistencia.



**ADVERTENCIA:** Los cambios o modificaciones que no estén expresamente aprobados por la parte responsable del cumplimiento anulan la autoridad del usuario de operar el equipo.

## Garantía

### CUBRE

El fabricante garantiza que este aparato de iluminación no tendrá defectos en los materiales o en la mano de obra por un periodo de cinco (5) años desde la fecha de compra. Esta garantía se aplica sólo al comprador consumidor original y sólo a los productos que se utilizan y reciben servicio en forma normal. Si se encuentra que este producto tiene defectos, la única obligación del fabricante, y su exclusiva solución, es reparar o reemplazar el producto a su entera discreción, siempre y cuando el producto no se haya dañado debido al mal uso, abuso, accidente, modificaciones, alteraciones, negligencias o mal manejo del mismo.

### NO CUBRE

Esta garantía no se aplica a ningún producto que se ha instalado incorrectamente, ajustado o utilizado en una forma que no concuerde con las instrucciones suministradas junto con el producto. Esta garantía no se aplicará a fallas del producto como resultado de un accidente, uso incorrecto, abuso, negligencia, alteración, instalación defectuosa, o ninguna otra falla no relacionada con el material o mano de obra defectuosa. Esta garantía no se aplica a los acabados en ninguna parte del producto, tal como la superficie ni a la acción de los elementos, ya que esto se considera desgaste normal.

El fabricante no garantiza y no acepta responsabilidad, ya sea expresa o implícita de la idoneidad para un fin particular, a excepción de la garantía contenida en el presente. El fabricante niega específicamente cualquier responsabilidad y no será responsable por daños o pérdidas indirectas o consecuenciales, e incluye pero no se limita a los costos de mano de obra, gastos relacionados en el reemplazo o reparación de dicho producto.

Comuníquese con el equipo de Servicio al Cliente al 1-877-527-0313 or visit [www.HomeDepot.com](http://www.HomeDepot.com).

# Previo a la instalación

## PLANIFICACIÓN DE LA INSTALACIÓN

Antes de comenzar el armado, la instalación o antes de operar el producto, asegúrese de que tiene todas las piezas. Compare las piezas con la lista del contenido en la página anterior. Si falta alguna pieza o si está dañada, no comience a armar, instalar, ni operar el producto. Comuníquese con el servicio al cliente para el reemplazo de las piezas.



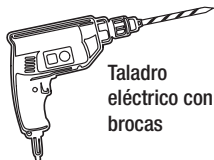
**NOTA:** Guarde el recibo de compra y estas instrucciones como prueba de compra.

Seleccione un sitio adecuado que resista el peso del dispositivo de luz.

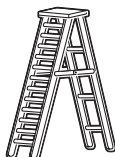
## HERRAMIENTAS NECESARIAS



Cinta métrica



Taladro eléctrico con brocas



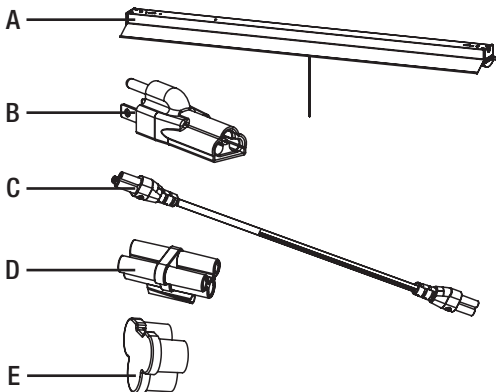
Escalera



Gafas de seguridad

## CONTENIDO DEL PAQUETE

Pieza	Descripción	Cantidad
A	Dispositivo de luz para taller de 4 pies	1
B	Cable eléctrico de 5 pies	1
C	Cable de enlace de 5 pies	1
D	Conector de extremos	1
E	Capuchón de extremos	1

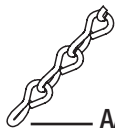


## PIEZAS INCLUIDAS



**NOTA:** Los materiales no se ilustran en tamaño real.

Pieza	Descripción	Cantidad
AA	Cadena de soporte con Gancho S	2
BB	Gancho S (opcional)	2
CC	Corbata de cable	1



AA



BB



CC

# Instalación

Antes de taladrar determine por método de montaje del dispositivo según el tipo de cielorraso. Según el método elegido para la instalación del dispositivo de luz, marque dos puntos para la instalación de las piezas de ferretería. (no se incluyen).

- Marque dos puntos en el cielorraso a una distancia de 43 pulgadas entre sí para la instalación suspendida.
- Marque dos puntos en el pared o cielorraso a una distancia de 42 pulgadas entre sí para la instalación en superficie.



**NOTA:** Las diferentes piezas de ferretería (no se incluyen) no se muestran en tamaño real.

## MONTAJE EN SUSPENDIDA

Para montaje en panel de yeso:  
Tornillo de fiador x 2



Para montaje en madera:  
Tornillo de gancho x 2



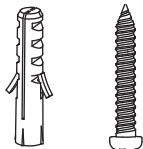
Pieza	Descripción	Cantidad
Tornillo de fiador	Consiste en un tornillo No. 10-24 de 2-7/8 pulgadas de longitud con dos alas abatibles de 1 pulgada por 5/16.	2
Espárragos	Mide 1-3/4 pulgadas en total y tiene 1-1/4 pulgadas de rosca para madera en un extremo y al menos seis roscas No. 10-24 para metal en el otro extremo.	2
Ganchos de metal	Con un agujero roscado No. 10-24 que engancha en las roscas del tornillo.	2



**NOTA:** Los ganchos de ojo se pueden utilizar como un método alternativo para fijar la luminaria al techo.

## INSTALACIÓN OPCIONAL EN SUPERFICIE

Para montaje en panel de yeso:  
Tornillo de gancho x 3  
Anclaje para pared x 3



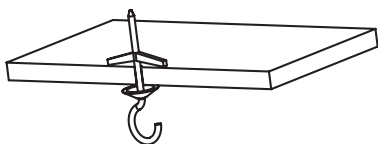
Para montaje en madera:  
Tornillo de gancho x 3




# Instalación suspendida

## 1 Instalación sobre panel de yeso

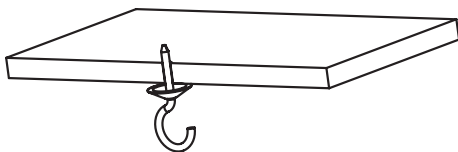
- Taladre dos agujeros lo suficientemente grandes como para que pasen las alas cerradas de la mariposa del tornillo de fiador (no se incluye). Asegúrese de ajustar el tornillo de fiador a la mariposa antes de insertar las alas en el cielorraso.
- Apriete el tornillo de fiador.




 **NOTA:** Si utiliza armellas, se proporcionan dos ganchos S opcionales para la suspensión de la lámpara.

## 2 Instalación sobre madera

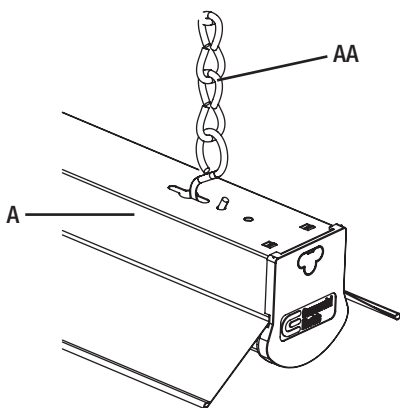
- Taladre dos agujeros de 1/16 pulgadas de diámetro en el cielorraso para ajustar los tornillos de gancho (no se incluyen). Asegúrese de sujetar el extremo de metal del espárrago al tornillo de gancho.
- Apriete el tornillo de gancho dentro de la madera.



 **NOTA:** Si utiliza armellas, se proporcionan dos ganchos S opcionales para la suspensión de la lámpara.

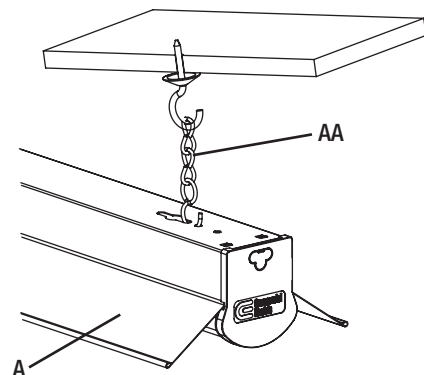
## 3 Sujetar la lámpara a la cadena


- Sujete el gancho S al final de la cadena de soporte (AA) al colgante del dispositivo de iluminación. (A). Repita esta operación en el otro lado del dispositivo.



## 4 Sujetar la cadena al cielorraso

- Cuelgue el cuerpo del dispositivo colocando una cadena (AA) sobre cada gancho (no se incluye) instalado en el cielorraso.
- Ajuste las cadenas al nivel de la luz. El dispositivo debe estar al menos a 3 pulgadas del cielorraso.

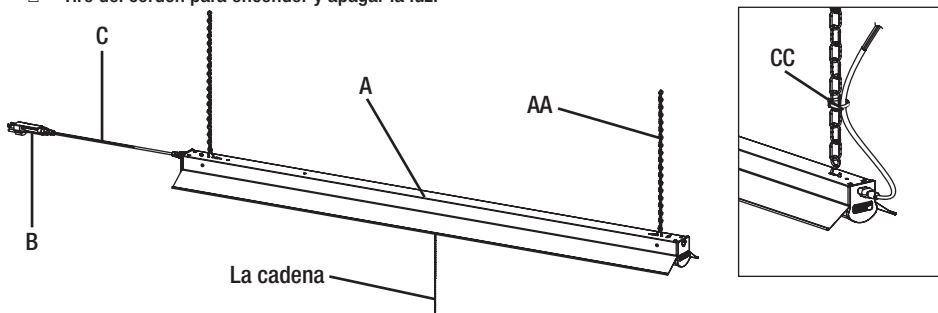


 **NOTA:** Si utiliza armellas, se proporcionan dos ganchos S opcionales para fijar la cadena en la armella en el cielorraso.

# Instalación suspendida (continuación)

## 5 Conectar el cable de alimentación

- Inserte un extremo del cable de alimentación / enlace (C) en el adaptador de enchufe eléctrico (B).
- Conecte el otro extremo del cable de alimentación / enlace (C) en el receptáculo al final de la lámpara de taller (A) y luego enchufe el adaptador de enchufe eléctrico (B) en una toma de corriente.
- Ate el cable eléctrico (C) a la cadena (AA) con la corbata de cable (CC) suministrada.
- Tire del cordón para encender y apagar la luz.



**PRECAUCIÓN:** Por la instalación suspendida, asegúrese de que la lámpara se encuentra directamente debajo de la toma de corriente eléctrica. El exceso de cable debe ser asegurado a la cadena de montaje (AA) con la corbata de cable (CC) proporcionada.

## Opción de enlace

**ADVERTENCIA: RIESGO DE DESCARGA ELÉCTRICA.** Desconecte la energía eléctrica en el dispositivo de luz antes de enlazar otros dispositivos.

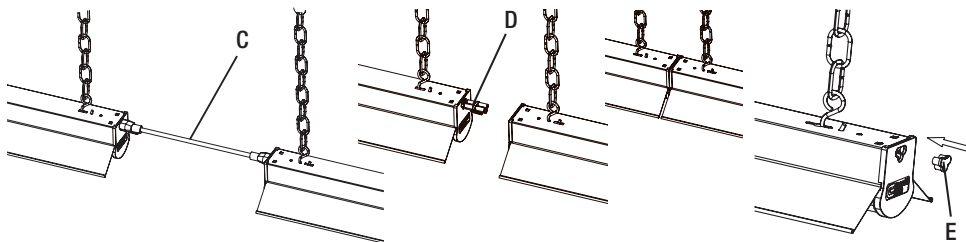
### ENLACE DE VARIOS DISPOSITIVOS DE LUZ

Puede enlazar varios dispositivos de luz, hasta un máximo de nueve de 4 pies o un total de 324 vatios. Solo el primer dispositivo debe estar enchufado a un tomacorriente.

- Conecte cada uno de los dispositivos adicionales usando el cable de enlace (C) o un conector de extremos (D). Cuando utilice el cable de enlace, tenga presente que la distancia máxima entre los dos dispositivos de luz es de 5 pies.

**NOTA:** Para obtener mejores resultados, introduzca completamente el cable de enlace o el conector de extremos en el receptáculo del extremo del dispositivo de luz.

**ADVERTENCIA: RIESGO DE DESCARGA ELÉCTRICA.** Si el receptáculo del extremo del dispositivo no se utiliza para enlazar otro dispositivo, el receptáculo debe cerrarse con el capuchón de extremos (E). No toque las piezas con energía eléctrica dentro del receptáculo.

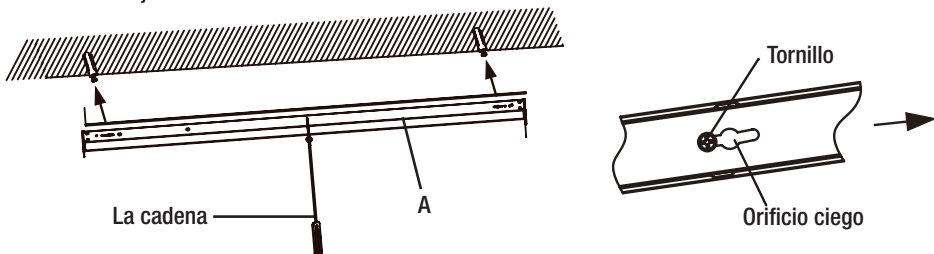




# Instalación opcional en superficie

## 1 Instalación a una superficie plana - pared o cielorraso

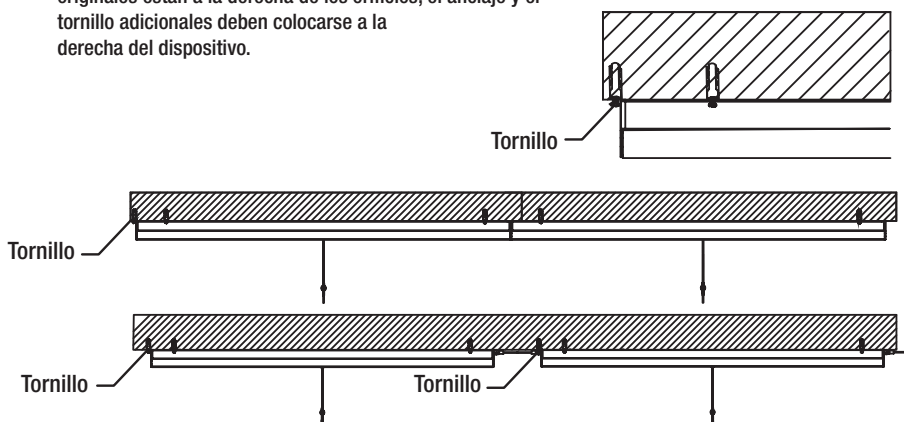
- Taladre dos orificios en la pared o cielorraso los que deben estar a una distancia de 42 pulgadas entre sí.
- Introduzca un anclaje para pared y un tornillo de montaje (no se incluyen) en cada orificio de montaje, pero no los apriete. El diámetro de la cabeza del tornillo usado para la instalación debe ser de 7.5 mm.
- Alinee los orificios en el dispositivo de luz (A) con los tornillos de montaje en la superficie de instalación. Una vez que las cabezas de los tornillos pasan por los extremos más grandes de los orificios, deslice el dispositivo hasta que las cabezas de los tornillo queden en los extremos más angostos de los orificios. Posiblemente deba apretar más los tornillos para asegurar con firmeza la luz para taller a la superficie de montaje.



**NOTA:** Los anclajes de pared sólo se utilizan para la instalación del dispositivo de luz en superficies de yeso o pirca.

## 2 Fijación del dispositivo a la superficie de instalación

- Introduzca un anclaje y un tornillo adicionales (no se incluyen) en el cielorraso, en el extremo del dispositivo de luz para evitar que accidentalmente éste se deslice fuera de las cabezas de los tornillos. Si los tornillos de montaje originales están a la izquierda de los orificios, entonces, debe instalar un anclaje y un tornillo en el cielorraso, a la izquierda del dispositivo de luz. Si los tornillos de montaje originales están a la derecha de los orificios, el anclaje y el tornillo adicionales deben colocarse a la derecha del dispositivo.



## Cuidado y limpieza



**PRECAUCIÓN:** Antes de limpiar el dispositivo desconecte el suministro eléctrico.

- Limpie la lámpara con un paño suave y seco.
- No utilice limpiadores con productos químicos, solventes o abrasivos.

## Solución de problemas



**ADVERTENCIA:** Antes de realizar cualquier trabajo en el dispositivo, desconecte la electricidad que lo alimenta.

Los problemas menores pueden arreglarse sin ayuda de un electricista.

Problema	Causa posible	Medida correctiva
La lámpara no enciende.	El suministro eléctrico está cortado.	Asegúrese de que el suministro eléctrico esté activado.
	El interruptor está apagado.	Asegúrese de que el interruptor esté en la posición de encendido.
	Hay una mala conexión.	Asegúrese de que se hayan conectado los cables de forma correcta. Comuníquese con un electricista calificado.
	Hay un interruptor defectuoso.	Comuníquese con un electricista calificado.
El fusible se quema o salta el interruptor cuando se enciende la lámpara.	Los cables están cruzados o el cable de suministro eléctrico no está puesto a tierra.	Verifique las conexiones de los cables. Comuníquese con un electricista calificado o llame al Centro de Atención al Cliente de Commercial Electric 1-877-527-0313.





**¿Preguntas, problemas, piezas faltantes? Antes de devolver el producto a la tienda, llame al Centro de Atención al Cliente de Commercial Electric en el horario de 8 a.m. – 7 p.m., Hora del Este de EE.UU., de lunes a viernes. 9 a.m. – 6 p.m., Hora del Este de EE.UU., el sábado.**

**1-877-527-0313**

**HOMEDEPOT.COM**

**Conserve este manual para uso futuro.**