

INSTALLATION INSTRUCTIONS OVATION® BATH AND SHOWER WALL SETS

*American
Standard*

MODELS: 2968BWT60, 2968SWT60

Visit www.americanstandard.com for coordinating products.

Thank you for selecting American Standard - the benchmark of fine quality for over 140 years. To ensure this product is installed properly, please read these instructions carefully before you begin. (Certain installations may require professional help.)

BEFORE YOU BEGIN....

Local building codes vary by location. Observe all local plumbing and building codes.

Unpack your new walls and inspect them carefully for damage. Verify that the walls are the correct size for your installation. Refer to American Standard roughing-in information for specific dimensions for each model.

NOTE: Remove protective plastic coating material from surface of panel before installation.
Take extra care in handling the front surfaces of the walls. Use only non-abrasive cloths to avoid scratching.

REQUIRED TOOLS AND MATERIALS

TOOLS:

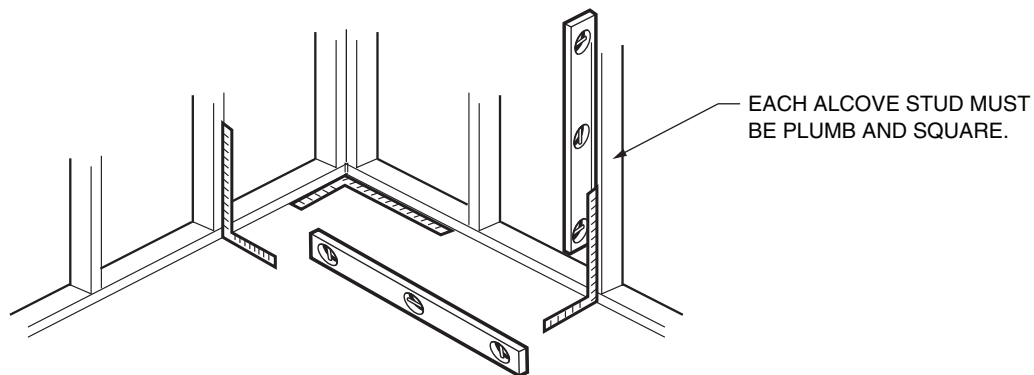
Pencil	Tape Measure
Drill	Caulking Gun
Square	Hole Saw or Jig Saw with fine tooth blade
Level	

MATERIALS:

Waterproof Adhesive	Safety Glasses
Tub & Tile Sealant	Masking Tape
Mineral Spirits	

PREPARATION: Must be installed over **SHEETROCK/GREENBOARD**.

Illustration 1



A) WALL SURFACE PREPARATION

NOTE: For best adhesion, we suggest priming walls prior to installation.

Ensure wall surface is dry, smooth, and free of dust, soap scum, mold or other contaminants. Wipe wall surfaces with a damp cloth and allow to dry.

Wall surface must be dry before panels can be applied.

Ensure that alcove is plumb and square. **See Illustration 1.**

B) ROUGH PLUMBING & FITTINGS MUST BE INSTALLED BEFORE WALLS

Turn off hot & cold water supplies.

Remove faucet handles, escutcheons, filler spouts and any other fixtures & fittings (e.g. towel bars, soap dishes, etc.).

C) IF YOU PLAN TO INSTALL A SHOWER DOOR

Follow manufacturer's instructions and prepare stud wall accordingly.

SAVE FOR FUTURE USE

1

DRY FITTING THE PANELS ON THE WALL

A) Dry fit the panels starting with the rear panel first, keeping it centered, equidistant between the 2 rear corners of the wall. Use masking tape to hold panel in position. Mark a vertical line top to bottom at the corner edges of the panel on the rear wall to ensure panel is centered between the 2 corners as a reference. **See Illustration 2.**

NOTE: If any trimming is needed, measure and mark dimensions. Cut with a fine tooth Jig Saw. If installing in a 48" shower alcove, follow procedure below for "Installing a 48" Shower Alcove".

B) When dry fitting side panels, place the panel entrance edge at the desired location on wall while also ensuring a gap or distance no greater than 7-3/4" (197mm) exists at the panel's back corner to the rear wall. Use masking tape to hold panel in position. Mark a vertical line top to bottom on the side wall near the corner at back edge of side panel to reference later. Repeat for opposite side panel wall.

NOTE: Verify that the gaps at both rear corners can be covered by the corner panels by dry fitting or placing a corner panel in each corner. **See Illustrations 4 and 5.**

C) Once side panels are properly dry fitted, mark all plumbing locations where shower valves or shower heads come through the side panel. Drill holes at each location using a Hole Saw large enough to accommodate the opening but small enough to be covered by the trim plates. **See Illustration 3.**

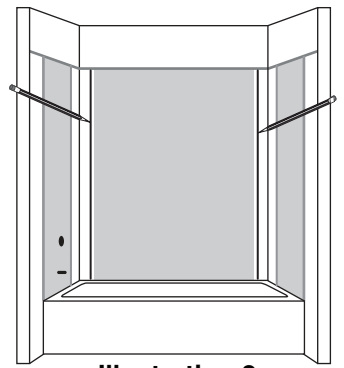


Illustration 2

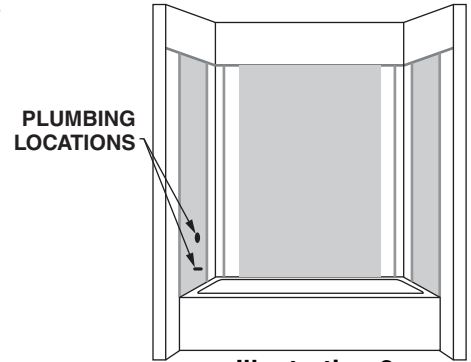


Illustration 3

INSTALLING IN A 48" SHOWER ALCOVE

- If installing in a 48" alcove area using the Ovation Shower Wall Set, the rear panel will need to be cut or trimmed to fit.
- To accurately measure and cut the rear panel for your alcove, dry fit both corner panels squarely into the corners of the alcove and tape to hold in place. **See Illustration 4.**
- Measure the distance from raised lip of one rear corner to raised lip of opposite rear corner so the rear corners overlap the rear panel. **See Illustration 5.** This dimension is what the rear panel will be trimmed to. Ensure the dimension obtained will allow the rear panel when cut, to slide under or overlap the raised lip of each rear corner. **See Illustration 6.**
- Mark the rear panel from the dimension obtained above and cut or trim the panel using a fine toothed Jig Saw.
- Dry fit the trimmed rear panel to the wall while placing each corner panel in place, observing that the rear panel correctly fits under and overlaps the raised lip of each corner panel.
- Once the rear panel is correctly trimmed and fits in place, proceed to **Step 1B** at top of this page.

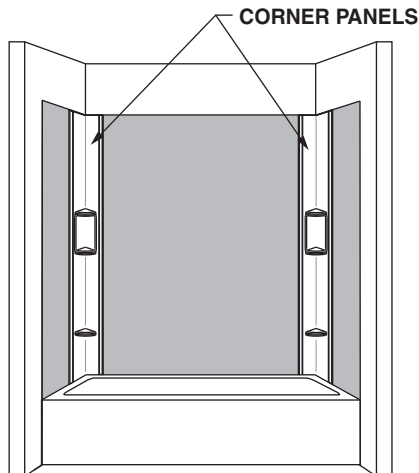


Illustration 4

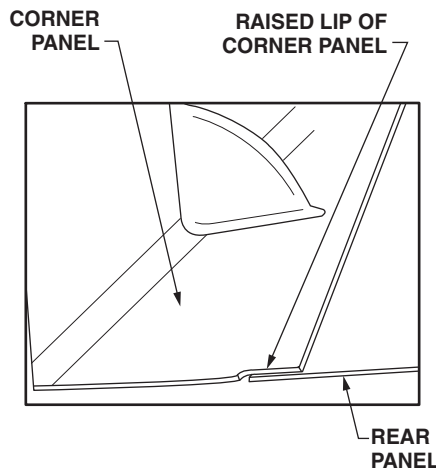


Illustration 5

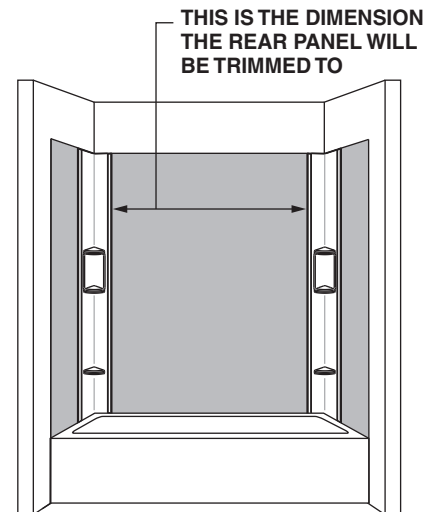


Illustration 6

2

INSTALLING BACK AND SIDE WALLS

NOTE – INSTALL ONLY ONE WALL AT A TIME AND REMOVE FILM FROM WALLS PRIOR TO INSTALLATION.

- A) Wipe all back side of panels and walls with a damp cloth to remove any dust or debris and allow to fully dry.
- B) Apply adhesive in a zig-zag pattern on the wall within marked lines, keeping bead thickness to 1/8" (3mm) or less. **See Illustration 7.**

NOTE: Applying beads of adhesive thicker than 1/8" (3mm) may make it difficult to spread behind the panel once it is up and installed creating a ripple effect on the panel.

- C) Move rear panel onto the wall keeping a space of approximately 1/8" (3mm) off of the surface of the tub deck or shower base and keeping panel between the marked lines previously drawn. Press panel firmly over entire surface to ensure firm contact of panel to adhesive on wall. **See Illustration 8.**

NOTE: It may be necessary to brace or support the panel against the wall until the panel stays securely in place. Place a cloth under the supports to prevent marring of the walls surface.

- D) Install side panels in the same manner using the same adhesive pattern. Wipe off any excessive adhesive with mineral spirits.

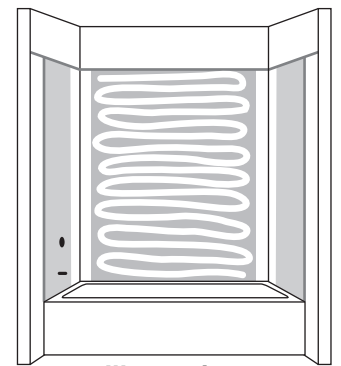


Illustration 7

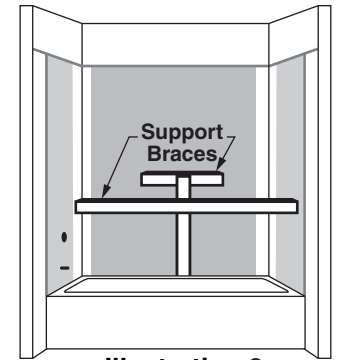


Illustration 8

3

INSTALLING THE CORNER PANELS

- A) Place corner panel into rear corner of shower and check for proper fit of corner panel to shower walls.

NOTE: Make sure corner panel is aligned right side up so that flat shelving surface is facing upward.

Ensure corner panels completely overlap both rear and side panels by at least 1/4" (6mm).

- B) Apply adhesive to one rear corner at a time (**See Illustration 9**) top to bottom, side to side and on back of the corner panel (**see Illustration 10**) and place into rear corner of shower (**See Illustration 11**). Press firmly to hold in place.

NOTE: It may be necessary to brace or support the corner panel in position until the adhesive dries. Use cloth under any support to prevent any marring of the walls finished surface.

- C) Wipe the panel down with a damp rag while continuing to apply pressure to the panel to ensure it makes complete contact.

NOTE: WIPE ANY EXCESS ADHESIVE FROM THE PANEL WITH A DAMP RAG OR MINERAL SPIRITS.

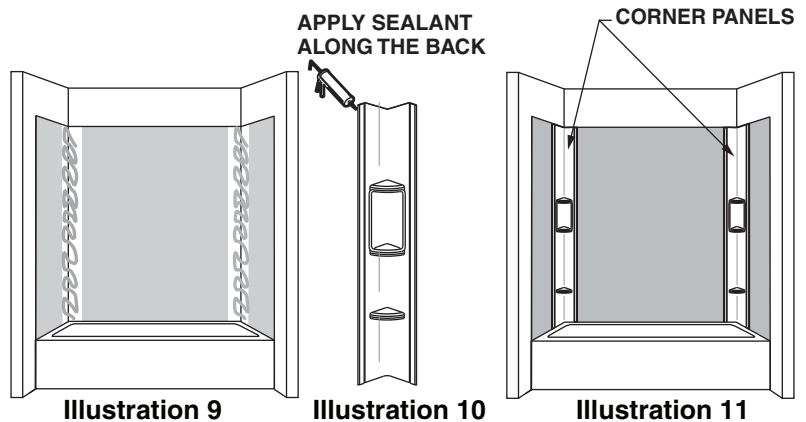


Illustration 9

Illustration 10

Illustration 11

4

APPLYING SEALANT AND INSTALLING SHOWER HANDLE AND SHOWER HEAD

- A) Allow 24 hours for the wall panel adhesive to dry before applying the sealant.
- B) Apply a bead of sealant around all corners, outside edges of panels, corner panels and deck of tub or shower base. **See Illustration 12.**
- C) Install the shower handle and shower head per the manufacturer's instructions. Be sure to apply sealant to all trim plates.

NOTE: ALLOW 24 HOURS FOR THE SEALANT TO DRY BEFORE USE.

Install the shower door or shower curtain rod according to the manufacturer's instructions.

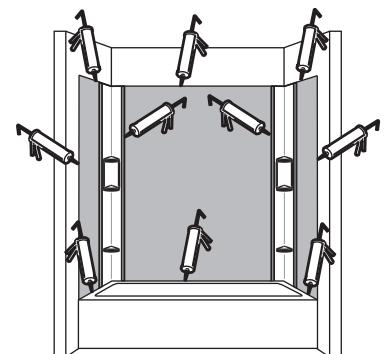


Illustration 12

POST INSTALLATION CLEAN-UP

Remove all construction debris. Do not use wire brushes or any other metal implement on surface.

Post installation clean-up generally can be completed using warm water and liquid dishwashing detergent.

Painter's naphtha can be used to remove excess adhesives and/or wet oil-base paint.

AFTERCARE and CLEANING

⚠ WARNING: Cleaning products with labels that say "not suitable for use with ABS, acrylic or polystyrene" **SHOULD NOT BE USED.** Read all labels carefully.

- **HARSH CHEMICALS SHOULD NEVER BE USED ON SHOWER WALL SURFACE.** Clean after use with a mild liquid household detergent cleaner. Do not use Lestoil, Lysol Disinfectant (spray or concentrate), or Lysol Basin, Tub and Tile Cleaner, Windex, Mr. Clean, Dow Disinfectant Bathroom Cleaner, or cleaning products in aerosol cans.
- Do not use wire brushes, knives or sharp objects to remove stains, cigarette tar deposits, or other surface blemishes.
- Abrasive cleaners or powders must not be used, since they will dull the surface. If the glossy surface loses its sheen, dulled areas or light scratches can be restored by rubbing with a white "automotive type" polishing compound and waxing with a "liquid wax."
- **Do not wax areas where you walk or stand.**
- Do not allow nail polish remover, acetone, dry cleaning fluid, paint remover or other solvents to come into contact with the surface.
- Clean the surrounding surface immediately after using caustic drain cleaners.
- Burning cigarettes will damage the surface.

AS America, Inc. 10 Year Limited Warranty for Ovation Bath and Shower Walls

AS America, Inc. ("American Standard") warrants to the original consumer purchaser that it will, at its option, repair or replace the walls or any of its parts that are found by American Standard, in its sole judgment, to be defective under normal residential use and maintenance so long as it is owned by the original consumer purchaser.

To activate this limited warranty, the purchaser must go online to our website at www.americanstandard-us.com/warranty to register their bath walls within thirty (30) days of purchase.

In no event will American Standard be liable for the cost of repair or replacement of any materials damaged during installation including but not limited to tiles and marble.

This limited warranty DOES NOT COVER the following:

1. Defects or damages arising from shipping, installation, alterations, accidents, abuse, misuse, lack of proper maintenance and cleaning as directed in the owner's manual and use of other than genuine American Standard replacement parts, in all cases whether caused by a plumbing contractor, service company, the owner or any other person.
2. Deterioration through normal wear and tear and the expense of normal maintenance.
3. Commercial application.
4. Options and accessories. American Standard's limited warranty on these items is one year for parts only and excludes labor. This one year limited warranty covers accessories manufactured by American Standard (e.g. aprons, drains, grab bars, heaters, trim kits) against defects of material or workmanship. Warranty coverage begins on the date the accessory was originally purchased by the owner.
5. Postage or shipping costs for returning products for repairs or replacement under this limited warranty and labor or other costs incurred in connection with product removal or installation under this limited warranty.
6. ANY LIABILITY FOR CONSEQUENTIAL OR INCIDENTAL DAMAGES, ALL OF WHICH ARE HEREBY EXPRESSLY DISCLAIMED, OR THE EXTENSION BEYOND THE DURATION OF THIS LIMITED WARRANTY OF ANY IMPLIED WARRANTIES, INCLUDING THOSE OF MERCHANTABILITY OR FITNESS FOR AN INTENDED PURPOSE. (Some jurisdictions do not allow limitations on how long an implied warranty lasts, or the exclusion or limitation of incidental or consequential damages, so these limitations and exclusions may not apply to you.)
7. Responsibility for compliance with local code requirements. (Since local code requirements vary greatly distributors, retailers, dealers, installation contractors and users of plumbing products should determine whether there are any code restrictions on the installation or use of a specific product.)

This warranty gives you specific legal rights. You may have other legal rights that vary from state to state. For service under this warranty, you should contact the following:

In the United States:
American Standard Brands
1 Centennial Ave.
Piscataway, New Jersey 08854
Attention: Director of Consumer Affairs

For residents of the United States, warranty information may also be obtained by calling the following toll free number: (800) 442-1902
www.americanstandard.com

In Canada:
LIXIL Canada ULC
5900 Avebury Rd.
Mississauga, Ontario
Canada L5R 3M3

Toll Free: (800) 387-0369
www.americanstandard.ca

In Mexico:
American Standard B&K Mexico
S. de R.L. de C.V.
Via Morelos #330
Col. Santa Clara
Ecatepec 55540 Edo. Mexico
Toll Free: 01-800-839-1200
www.americanstandard.com.mx

INSTRUCCIONES DE INSTALACIÓN JUEGOS DE PARED PARA DUCHAS Y TINAS OVATION®

American
Standard

MODELOS: 2968BWT60, 2968SWT60

Visite www.americanstandard.com para ver los productos que hacen juego.

Gracias por elegir American Standard, el parámetro de excelente calidad por más de 140 años. Para asegurar que este producto se instale de manera adecuada, lea las instrucciones con atención antes de comenzar. (Para algunas instalaciones puede necesitarse ayuda profesional).

ANTES DE COMENZAR...

Los códigos de construcción varían de un lugar a otro. Respete todos los códigos locales de edificación y plomería.

Desempaque sus nuevas paredes y fíjese atentamente que no estén dañadas. Verifique que las paredes sean del tamaño correcto para su instalación. Consulte la información de preparación de American Standard para las dimensiones específicas de cada modelo.

NOTA: Quite el material plástico de protección de la superficie del panel antes de la instalación. Tenga mucho cuidado al manipular las superficies frontales de las paredes. Use únicamente paños no abrasivos para evitar los rayones.

HERRAMIENTAS Y MATERIALES NECESARIOS

HERRAMIENTAS:

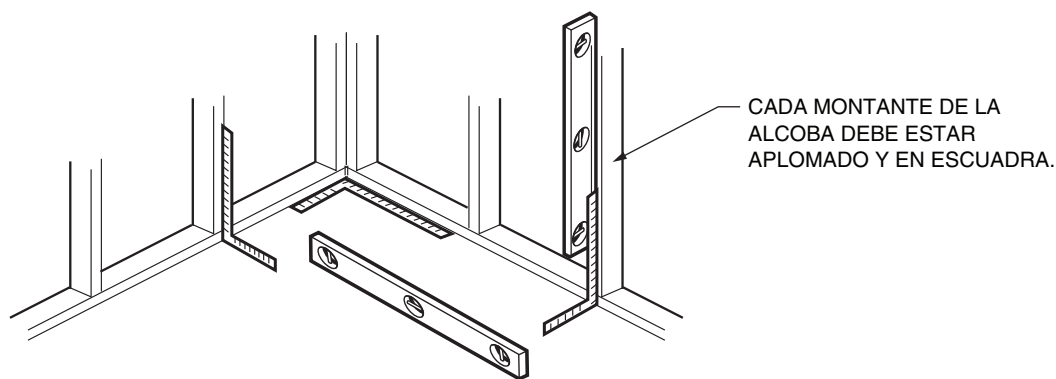
Lápiz	Cinta métrica
Taladro	Pistola de calafateo
Escuadra	Sierra de perforación o sierra caladora con dientes finos
Nivel	

MATERIALES:

Adhesivo impermeable	Lentes de seguridad
Sellador de tina y azulejos	Cinta Protectora
Aguarrás mineral	

PREPARACIÓN: Se debe instalar sobre una placa SHEETROCK/GREENBOARD.

Ilustración 1



A) PREPARACIÓN DE LA SUPERFICIE DE LA PARED

NOTA : Para una mejor adhesión, sugerimos pintar las paredes con una base antes de la instalación.

Asegúrese de que la superficie de la pared esté seca, lisa, sin polvo, ni residuos de jabón, moho u otros contaminantes. Limpie todas las superficies con un paño húmedo y deje secar.

La superficie de la pared debe estar seca antes de aplicar los paneles.

Asegúrese de que la alcoba esté aplomada y a escuadra. **Vea la ilustración 1.**

B) LA PLOMERÍA Y LAS CONEXIONES BÁSICAS DEBEN INSTALARSE ANTES QUE LAS PAREDES.

Apague los suministros de agua caliente y fría.

Quite las manijas de las llaves, los chapetones, los picos de salida y otras griferías u accesorios (ej. toalleros, jaboneras, etc.)

C) SI PLANEA INSTALAR UNA PUERTA DE DUCHA

Siga las instrucciones del fabricante y prepare la pared de entramado como corresponda.

1

MONTAJE A SECO DE LOS PANELES EN LA PARED

A) Monte a seco los paneles comenzando con el panel posterior primero, manteniéndolo centrado, equidistante entre las 2 esquinas de la pared. Use cinta protectora para mantener el panel en su lugar. Marque una línea vertical de arriba a abajo en los bordes de esquina del panel en la pared posterior para asegurarse de que el panel esté centrado entre las 2 esquinas como referencia. **Vea la ilustración 2.**

NOTA: Si se requiere recortar, mida y marque las dimensiones. Corte con una sierra caladora de dientes finos. Si va a hacer la instalación en una alcoba de ducha de 48", siga el procedimiento "Instalación de una alcoba de ducha de 48"":

B) Cuando monte a seco los paneles laterales, coloque el borde de entrada del panel en el lugar deseado en la pared mientras se asegura de que quede un espacio o una distancia no mayor a 7-3/4" (197mm) en la esquina posterior del panel de la pared posterior. Use cinta protectora para mantener el panel en su lugar. Marque una línea vertical de arriba a abajo en la pared lateral cerca de la esquina en el borde posterior del panel lateral como referencia posterior. Repita para la pared del panel lateral opuesto.

NOTA: Verifique que los espacios en ambas esquinas posteriores puedan cubrirse con los paneles esquineros montando a seco o colocando un panel esquinero en cada esquina.

Vea las ilustraciones 4 y 5.

C) Una vez que los paneles laterales están adecuadamente montados a seco, marque todas las ubicaciones de plomería donde las válvulas de la ducha o las cabezas de la ducha pasan por el panel lateral. Taladre orificios en cada lugar usando una sierra de perforación lo suficientemente grandes para la abertura pero lo suficientemente chicos para quedar cubiertos por las placas de los accesorios. **Vea la ilustración 3.**

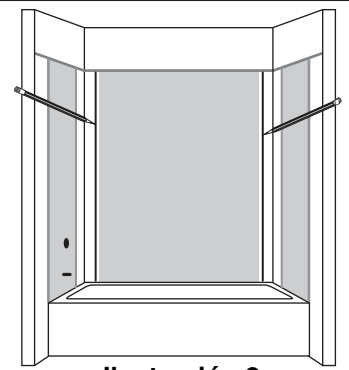


Ilustración 2

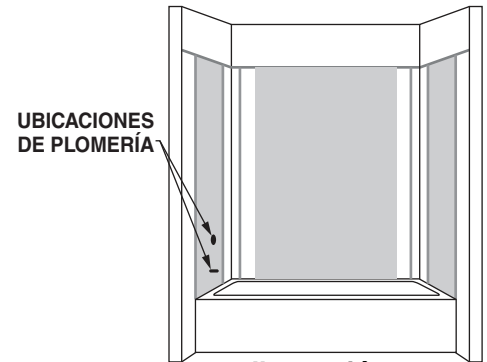


Ilustración 3

INSTALACIÓN EN UNA ALCOBA DE DUCHA DE 48"

- Si la instalación se va a hacer en un área de alcoba de 48" con un juego de pared para ducha Ovation, el panel posterior deberá cortarse o recortarse para que encaje.
- Para medir y cortar con precisión el panel posterior para la alcoba, monte a seco ambos paneles esquineros a escuadra en las esquinas de la alcoba y fíjelos con cinta. **Vea la ilustración 4.**
- Mida la distancia desde el reborde de una esquina posterior hasta el reborde de la esquina opuesta de manera tal que las esquinas posteriores se superpongan con el panel posterior. **Vea la ilustración 5.** El panel posterior se tiene que recortar a esta dimensión. Asegúrese de que la dimensión obtenida permita que el panel posterior después de ser cortado se deslice debajo del reborde de cada esquina posterior o se superponga con cada una de ellas. **Vea la ilustración 6.**
- Marque el panel posterior a la dimensión obtenida en el paso anterior y corte o recorte el panel usando una sierra caladora de dientes finos.
- Verifique a seco que el panel posterior recortado encaje en la pared mientras coloca el panel esquinero en su lugar, observando que el panel posterior encaje correctamente debajo y se superponga con el reborde de cada panel.
- Una vez que el panel posterior está correctamente recortado y encaja en el lugar, proceda con el **paso 1B** descrito anteriormente.

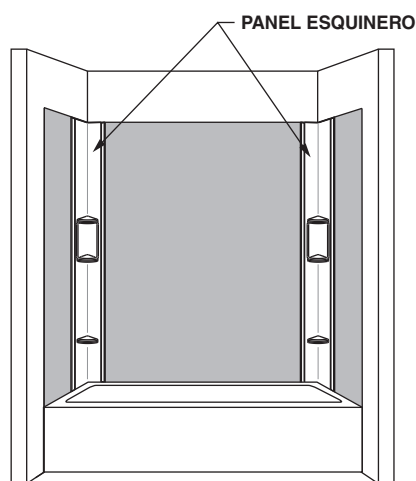


Ilustración 4

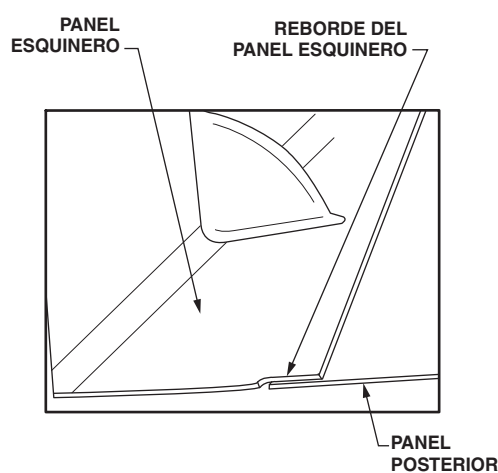


Ilustración 5

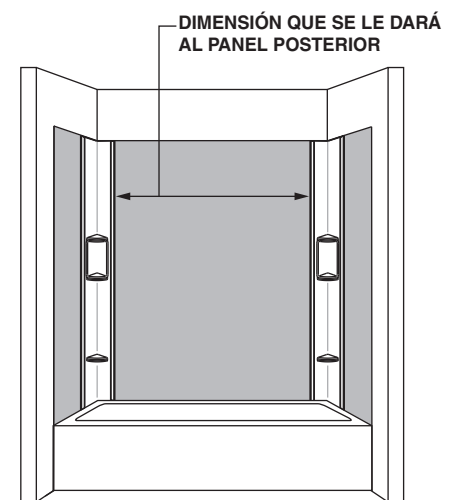


Ilustración 6

2 INSTALACIÓN DE PARED POSTERIOR Y LATERALES

NOTA - INSTALAR SOLO UNA PARED A LA VEZ Y RETIRAR LA PELÍCULA DE LAS PAREDES ANTES DE LA INSTALACIÓN.

- A) Limpie el lado posterior de todos los paneles laterales con un paño húmedo para retirar polvo o residuos y deje secar por completo.
- B) Aplique adhesivo siguiendo un patrón de zig-zag sobre la pared dentro de las líneas marcadas con gotas de un espesor de 1/8" (3mm) o menos. **Vea la ilustración 7.**

NOTA: Aplicar gotas de adhesivo de más de 1/8" (3mm) de espesor puede dificultar esparcir detrás del panel una vez que el panel esté instalado creando un efecto irregular en el panel.

- C) Mueva el panel posterior a la pared manteniendo un espacio de aproximadamente 1/8" (3mm) de la superficie de la plataforma de la tina o de la base de la ducha y manteniendo también el panel entre las líneas marcadas anteriormente. Presione firmemente el panel sobre toda la superficie para asegurar un contacto firme del panel al adhesivo en el muro. **Vea la ilustración 8.**

NOTA: Es posible que sea necesario ajustar o soportar el panel contra el muro hasta que el panel quede fijado en su lugar. Coloque un paño bajo los soportes para prevenir dañar la superficie de las paredes.

- D) Instale los paneles laterales de la misma manera usando el mismo patrón para el adhesivo. Limpie el exceso de adhesivo con aguarrás mineral.

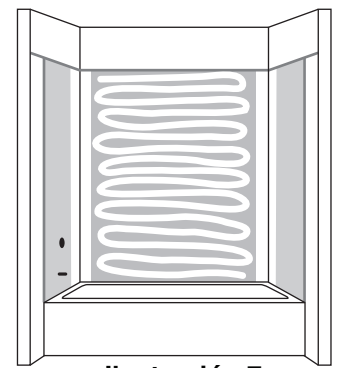


Ilustración 7

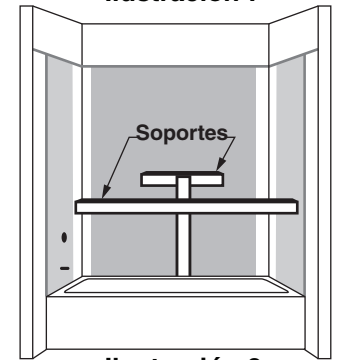


Ilustración 8

3 INSTALAR LOS PANELES ESQUINEROS

- A) Coloque el panel esquinero en la esquina posterior de la ducha y verifique que el panel esquinero encaje bien en las paredes de la ducha.

NOTA : Asegúrese de que el panel esquinero esté alineado con el lado correcto hacia arriba para que los estantes queden mirando hacia arriba.

Asegúrese de que los paneles esquineros se superpongan completamente con el panel posterior y los paneles laterales al menos 1/4" (6mm).

- B) Aplique adhesivo a una esquina posterior por vez (**ver la ilustración 9**) de arriba hacia abajo, de lado a lado y en la parte posterior del panel esquinero (**ver la ilustración 10**) y colóquelo en la esquina posterior de la ducha (**ver ilustración 11**). Presione firmemente para fijar.

NOTA: Es posible que sea necesario sujetar o soportar el panel esquinero en su lugar hasta que el adhesivo se seque. Use un paño debajo de cualquier soporte para prevenir dañar la superficie acabada de las paredes.

- C) Limpie el panel con un paño húmedo mientras continúa aplicando presión al panel para asegurarse de que haga contacto total.

NOTA: LIMPIE TODO ADHESIVO EN EXCESO DEL PANEL CON UN PAÑO HÚMEDO O AGUARRÁS MINERAL.

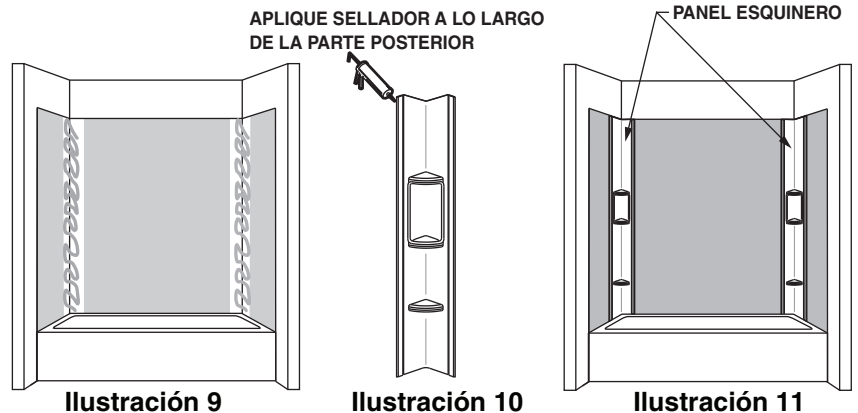


Ilustración 9

Ilustración 10

Ilustración 11

4 APLICACIÓN DE SELLADOR E INSTALACIÓN DE LA LLAVE DE LA DUCHA Y DE LA CABEZA DE LA DUCHA

- A) Dejar pasar 24 horas para que el adhesivo del panel de la pared se seque antes de aplicar el sellador.
- B) Aplicar una gota de sellador alrededor de todos las esquinas, bordes exteriores de los paneles, paneles esquineros y plataforma de tina o base de la ducha. **Vea la ilustración 12.**
- C) Instalar la llave de la ducha y la cabeza de la ducha según las instrucciones del fabricante. Asegúrese de aplicar sellador a todas las placas de los accesorios.

NOTA: DEJE PASAR 24 HORAS PARA QUE EL SELLADOR SE SEQUE ANTES DE USAR.

Instale la puerta de la ducha o el barral de la ducha de acuerdo con las instrucciones del fabricante.

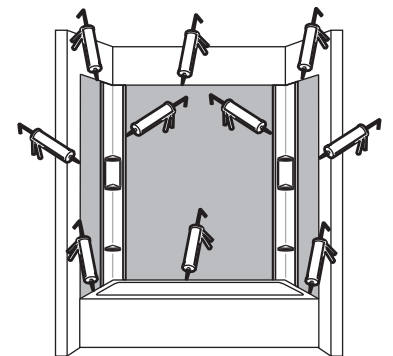


Ilustración 12

LIMPIEZA POSTERIOR A LA INSTALACIÓN

Retire todos los desechos de construcción. No utilice cepillos de alambre ni otro implemento de metal sobre la superficie.

La limpieza posterior a la instalación generalmente puede realizarse usando agua tibia y detergente líquido para vajilla.

Puede utilizarse nafta de pintor para retirar el exceso de adhesivo y/o pintura a base de aceite húmeda.

CUIDADO y LIMPIEZA

⚠ ADVERTENCIA: Los productos de limpieza cuyas etiquetas indiquen "no adecuado para usar con ABS, acrílico o poliestireno" **NO DEBEN USARSE.** Lea todas las etiquetas con atención.

- **NUNCA USE SUSTANCIAS QUÍMICAS ABRASIVAS EN LA SUPERFICIE DE LA PARED DE LA DUCHA.** Después del uso, limpie con un detergente doméstico líquido suave. No utilice Lestoil®, desinfectante Lysol® (rociador o concentrado), o limpiador para azulejos, tinajas y lavabos Lysol®, Windex®, Mr. Clean®, limpiador desinfectante para baños Dow® o productos de limpieza en aerosol.
- No use cepillos de alambre, cuchillos ni objetos filosos para quitar manchas, depósitos de alquitrán de cigarrillo ni otras manchas en la superficie.
- No deben usarse polvos o limpiadores abrasivos, ya que opacan la superficie. Si la superficie brillante pierde su lustre, las áreas opacas o los rayones leves pueden arreglarse frotando un compuesto de pulido blanco "tipo automotor" y encerando con una "cera líquida."
- **No encere las zonas donde camina o está de pie.**
- No permita que entren en contacto con la superficie quitaesmalte, acetona, fluido de limpieza en seco, removedor de pintura u otros solventes.
- Limpie la superficie circundante inmediatamente después de haber usado un limpiador de desagüe cáustico.
- Un cigarrillo encendido puede dañar la superficie.

AS America, Inc. Garantía limitada de 10 años para las paredes de ducha y tina Ovation

AS America, Inc. ("American Standard") garantiza al comprador consumidor original que, a opción del primero, reparará o reemplazará las paredes o cualquiera de sus partes que American Standard, a su única discreción, considere defectuosa en condiciones de uso y mantenimiento residencial normal siempre y cuando sea la propiedad del comprador consumidor original.

Para activar esta garantía limitada, el comprador debe visitar nuestro sitio web en línea en www.americanstandard-us.com/warranty para registrar sus paredes de ducha dentro de los treinta (30) días de efectuada la compra.

American Standard no será responsable en ningún caso del costo de reparación o del reemplazo de ningún material de instalación incluyendo, sin limitación, los azulejos y el mármol.

Esta garantía limitada NO CUBRE lo siguiente:

1. Los defectos o daños que surjan del envío, la instalación, las modificaciones, los accidentes, el abuso, el uso incorrecto o la falta de mantenimiento y limpieza adecuados tal como se indica en el manual del propietario, así como el uso de refacciones que no sean American Standard auténticas, en todos los casos ya sea causado por un plomero contratista, una empresa de servicios, el propietario o cualquier otra persona.
2. El deterioro del producto por el desgaste normal y el costo del mantenimiento normal.
3. La aplicación comercial.
4. Las opciones y los accesorios. La garantía limitada de American Standard sobre estos artículos es de un año para las piezas únicamente y excluye la mano de obra. Esta garantía limitada de un año cubre los accesorios fabricados por American Standard (p. ej. faldones, desagües, barras de sujeción, calentadores, juegos de accesorios) por defectos en el material o la mano de obra. La cobertura de la garantía comienza en la fecha en que el propietario compró originalmente el accesorio.
5. Los gastos de correo o envío por la devolución de productos para su reparación o reemplazo bajo esta garantía limitada y la mano de obra u otros gastos realizados en relación con el retiro o la instalación del producto bajo esta garantía limitada.
6. **TODA RESPONSABILIDAD POR DAÑOS Y PERJUICIOS EMERGENTES O INCIDENTALES QUEDA EXPRESAMENTE DESLINDADA POR EL PRESENTE, O LA PRÓRROGA MÁS ALLÁ DEL PLAZO DE ESTA GARANTÍA LIMITADA DE CUALQUIER GARANTÍA IMPLÍCITA, INCLUYENDO LAS GARANTÍAS DE COMERCIABILIDAD O APTITUD PARA UN FIN DETERMINADO.** (Algunas jurisdicciones no permiten limitaciones a la duración de una garantía implícita, o la exclusión o limitación de daños y perjuicios incidentes o emergentes, por lo cual estas limitaciones y exclusiones podrán no aplicarse a su caso.)
7. Responsabilidad por el cumplimiento de los requisitos de los códigos locales. (Debido a que los requisitos de los códigos locales varían mucho, los distribuidores, minoristas, concesionarios, contratistas de instalación y usuarios de productos de plomería deben determinar si existen restricciones de código sobre la instalación o el uso de un producto específico.)

Esta garantía le otorga derechos legales específicos. Podrá tener otros derechos legales que varían según el estado. Para obtener un servicio cubierto por esta garantía, comuníquese con:

En Estados Unidos:

American Standard Brands
1 Centennial Ave.
Piscataway, New Jersey 08854
Atención: Director of Consumer Affairs

En Canadá:

LIXIL Canada ULC
5900 Avebury Rd.
Mississauga, Ontario
Canadá L5R 3M3

En México:

American Standard B&K Mexico
S. de R.L. de C.V.
Vía Morelos #330
Col. Santa Clara
Ecatepec 55540 Edo. México
Número gratuito: 01-800-839-1200
www.americanstandard.com.mx

Para residentes en Estados Unidos, también se puede obtener información sobre la garantía llamando al siguiente número gratuito: (800) 442-1902
www.americanstandard.com

Número gratuito: (800) 387-0369
www.americanstandard.ca

INSTRUCTIONS D'INSTALLATION

ENSEMBLE DE MURS DE DOUCHES ET DE BAIGNOIRES OVATION^{MD}

American Standard

MODÈLES : 2968BWT60, 2968SWT60

Pour trouver des produits associés, visitez www.americanstandard.com.

Merci d'avoir choisi American Standard, la référence en matière de qualité depuis plus de 140 ans. Pour vous assurer que le produit a été installé correctement, lisez ces instructions avec attention avant de commencer. (Une aide professionnelle peut être nécessaire pour certaines installations.)

AVANT DE COMMENCER...

Les codes locaux varient en fonction des lieux. Renseignez-vous sur tous les codes de plomberie et du bâtiment.

Déballez vos nouveaux panneaux et vérifiez avec attention qu'ils n'ont subi aucun dommage. Vérifiez que la taille des panneaux convient à votre installation. Consultez les informations d'installation American Standard pour connaître les dimensions spécifiques à chaque modèle.

REMARQUE : Enlevez le revêtement plastique protecteur de la surface du panneau avant l'installation. Manipulez avec une grande précaution les surfaces frontales des panneaux. Utilisez uniquement des linges non abrasifs pour éviter les rayures.

OUTILS ET ÉQUIPEMENT NÉCESSAIRES

OUTILS :

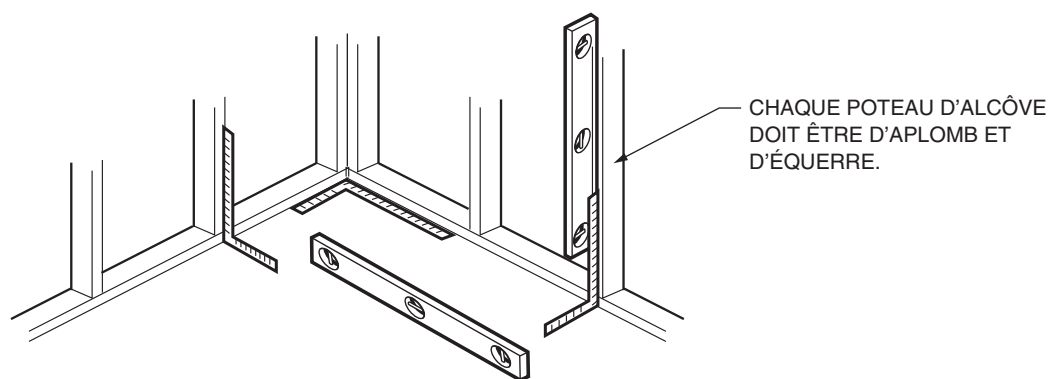
Crayon	Ruban à mesurer
Perceuse	Pistolet extrudeur
Équerre	Scie-cloche ou scie sauteuse à lame à dents fines
Niveau	

ÉQUIPEMENT :

Adhésif résistant à l'eau	Lunettes de sécurité
Adhésif pour baignoire et carreaux	Ruban Masque
Essence minérale	

PRÉPARATION : Doit être installé sur **UNE PLAQUE DE PLÂTRE/UN TABLEAU PEINT EN VERT.**

Image 1



A) PRÉPARATION DU MUR

REMARQUE : Pour une meilleure adhésion, nous vous recommandons d'appliquer un apprêt sur les murs avant l'installation.

Assurez-vous que la surface du mur est sèche, lisse et sans poussière, substance mousseuse, moisissure et contaminant. Essuyez les surfaces du mur avec un chiffon humide et laissez sécher.

La surface du mur doit être sèche avant que les panneaux puissent être appliqués.

Assurez-vous que l'alcôve est d'aplomb et d'équerre. Voir l'image 1.

B) LA ROBINETTERIE BRUTE ET LES RACCORDS DOIVENT ÊTRE INSTALLÉS AVANT LES PANNEAUX MURAUX

Fermez l'alimentation en eau chaude et en eau froide.

Retirez les poignets du robinet, plaques de finition, déverseurs, et tout autre accessoire (p. ex. les porte-serviettes, les porte-savons, etc.).

C) SI VOUS PRÉVOYEZ D'INSTALLER UNE PORTE DE BAIGNOIRE OU DE DOUCHE

Suivez les instructions du fabricant et préparez les poteaux muraux en conséquence.

MONTAGE À SEC DES PANNEAUX SUR LE MUR

A) Fixez à sec les panneaux en commençant par le panneau arrière, en le maintenant centré et équidistant entre les deux coins arrière du mur. Utilisez du ruban masque pour maintenir le panneau en place. Marquez une ligne verticale de haut en bas sur les bords des coins du panneau sur la paroi arrière pour vous assurer que le panneau est centré entre les 2 coins comme référence. **Voir l'image 2.**

REMARQUE : Si un ajustement est nécessaire, mesurez et marquez les dimensions. Découpez à l'aide d'une scie sauteuse à lame à dents fines. En cas d'installation dans une alcôve de douche de 48 po, suivez la procédure ci-dessous pour « **Installation dans une alcôve de douche de 48 po** ».

B) Lorsque les panneaux latéraux sont fixés à sec, placez le bord de l'entrée du panneau à l'endroit souhaité sur le mur tout en veillant à ce qu'il n'y ait pas plus de 7-3/4 po (197 mm) d'écart entre le coin arrière du panneau et le mur arrière. Utilisez du ruban masque pour maintenir le panneau en place. Tracez une ligne verticale de haut en bas sur le mur latéral près du coin du bord arrière du panneau latéral pour vous y référer plus tard. Répétez l'opération pour la paroi latérale opposée.

REMARQUE : Vérifiez que les espaces aux deux coins arrière peuvent être recouverts par les panneaux du coin en les posant à sec ou en plaçant un panneau du coin dans chaque coin.

Voir les images 4 et 5.

C) Une fois que les panneaux latéraux sont correctement installés à sec, marquez tous les endroits de la plomberie où les robinets ou les pommes de douche passent par le panneau latéral. Percez des trous dans chaque emplacement à l'aide d'une scie-cloche. Les trous doivent être suffisants pour la grandeur de l'ouverture mais doivent être suffisamment petits pour être couverts par les plaques de garniture. **Voir l'image 3.**

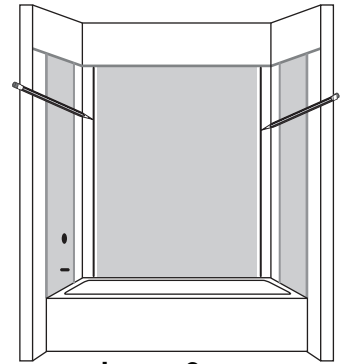


Image 2

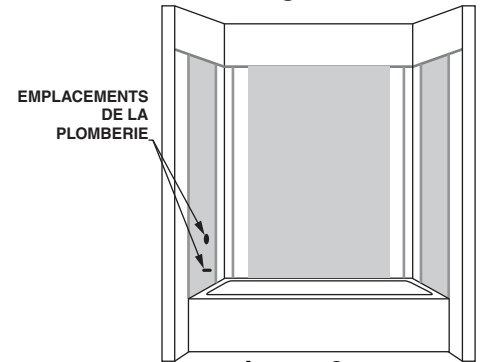


Image 3

INSTALLATION DANS UNE ALCÔVE DE DOUCHE DE 48 PO

- En cas d'installation dans une alcôve de 48 po avec l'ensemble de mur de douche Ovation, le panneau arrière devra être coupé ou taillé pour s'adapter.
- Pour mesurer et couper avec précision le panneau arrière de votre alcôve, fixez à sec les deux panneaux du coin dans les coins de l'alcôve et maintenez-les en place avec du ruban adhésif. **Voir l'image 4.**
- Mesurez la distance entre le rebord surélevé d'un coin arrière et le rebord surélevé du coin arrière opposé, de sorte que les coins arrière recouvrent le panneau arrière. **Voir l'image 5.** Les dimensions sont celles du panneau arrière une fois celui-ci ajusté. Assurez-vous que la dimension obtenue permettra au panneau arrière, une fois coupé, de glisser sous ou de recouvrir le rebord surélevé de chaque coin arrière. **Voir l'image 6.**
- Marquez le panneau arrière à partir des dimensions obtenues ci-dessus et coupez ou ajustez le panneau à l'aide d'une scie sauteuse à lame à dents fines.
- Fixez à sec le panneau arrière ajusté au mur tout en mettant en place chaque panneau du coin, en observant que le panneau arrière s'adapte correctement sous le rebord surélevé de chaque panneau du coin et le recouvre.
- Une fois que le panneau arrière est correctement adapté et est positionné, passez à l'étape 1B en haut de cette page.

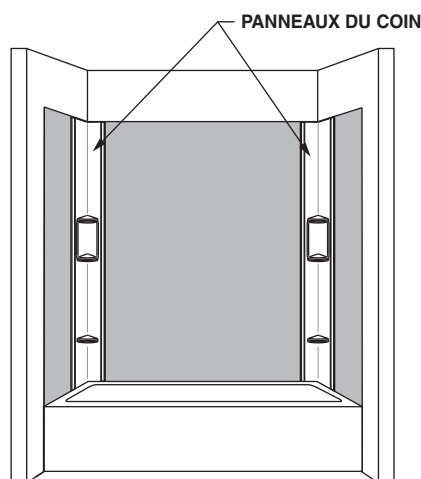


Image 4

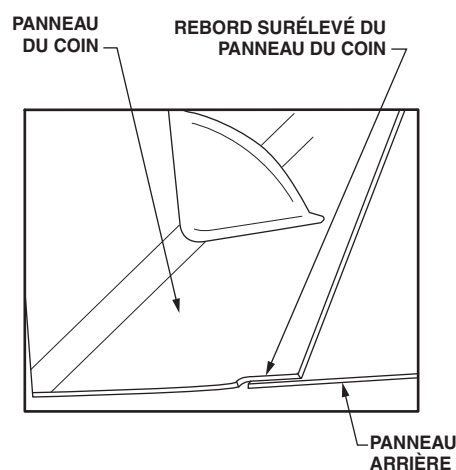


Image 5

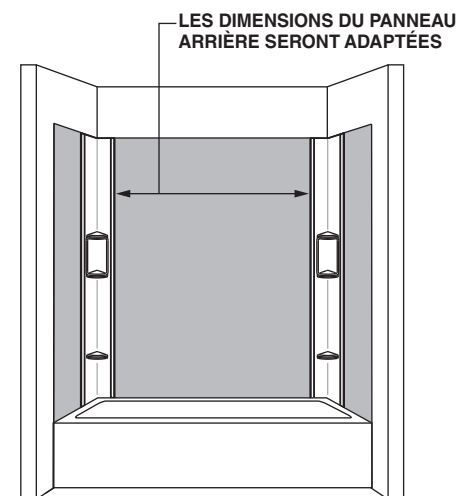


Image 6

2 INSTALLATION DES MURS ARRIÈRES ET LATÉRAUX

REMARQUE – APPLIQUEZ L'ADHÉSIF SUR UN SEUL MUR À LA FOIS ET RETIREZ LE FILM DES MURS AVANT L'INSTALLATION.

- A) Essuyez l'arrière des panneaux et des murs avec un chiffon humide afin d'éliminer la poussière ou les débris et laissez sécher.
- B) Appliquez l'adhésif en forme de zigzag sur le mur dans les lignes tracées, en gardant une épaisseur de calfeutrage de 1/8 po (3 mm) ou moins. **Voir l'image 7.**

REMARQUE : L'application de noisettes d'adhésif de plus de 1/8 po (3 mm) d'épaisseur peut rendre difficile la répartition derrière le panneau une fois qu'il est en place, ce qui crée un effet d'ondulation sur le panneau.

- C) Déplacez le panneau arrière sur le mur en gardant un espace d'environ 1/8 po (3 mm) par rapport au tablier de la baignoire ou de la base de douche et en maintenant le panneau entre les lignes tracées précédemment. Appuyez fermement sur toute la surface du panneau pour assurer un contact ferme du panneau avec l'adhésif sur le mur. **Voir l'image 8.**

REMARQUE : Il peut être nécessaire de renforcer ou de caler le panneau contre le mur jusqu'à ce qu'il soit bien fixé. Placez un chiffon sous les supports pour éviter d'abîmer la surface des murs.

- D) Installez les panneaux latéraux de la même manière en utilisant le même motif adhésif. Essuyez tout excès d'adhésif avec de l'essence minérale.

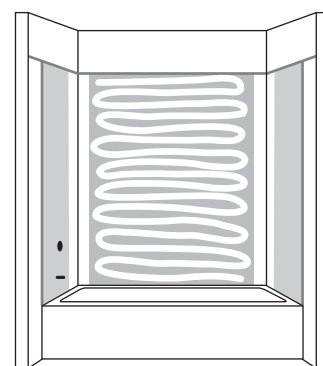


Image 7

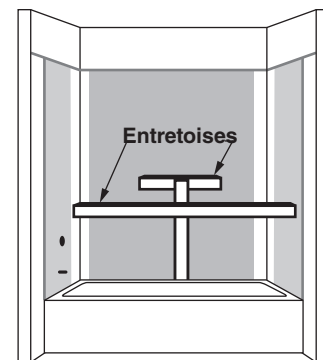


Image 8

3 INSTALLATION DES PANNEAUX DU COIN

- A) Positionnez le panneau du coin dans le coin arrière de la douche et vérifiez que le panneau du coin est bien ajusté aux murs de la douche.

REMARQUE : Veillez à ce que le panneau du coin soit placé à l'endroit de sorte que la partie plate de l'étagère soit orientée vers le haut. Assurez-vous que tous les panneaux du coin recouvrent complètement les panneaux arrière et latéraux d'au moins 1/4 po (6 mm).

- B) Appliquez l'adhésif sur un coin arrière à la fois (**voir image 9**) de haut en bas, d'un côté à l'autre et au dos du panneau du coin (**voir image 10**) et le placer dans le coin arrière de la douche (**voir image 11**). Appuyez fermement pour les fixer solidement.

REMARQUE : Il peut être nécessaire de renforcer ou de caler le panneau du coin en position jusqu'à ce que l'adhésif sèche. Utilisez un chiffon sous le support utilisé pour éviter d'abîmer la surface finie des murs.

- C) Nettoyez le panneau avec un chiffon humide tout en appuyant sur le panneau afin d'assurer le contact avec l'adhésif.

REMARQUE : **ESSUYEZ L'EXCÈS D'ADHÉSIF SUR LE PANNEAU AVEC UN CHIFFON HUMIDE** Essence minérale

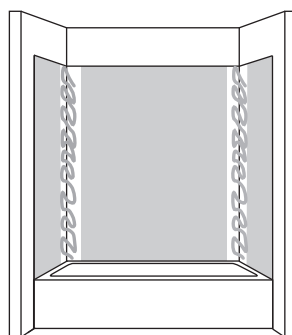


Image 9

APPLIQUEZ L'ADHÉSIF SUR LA PARTIE ARRIÈRE.

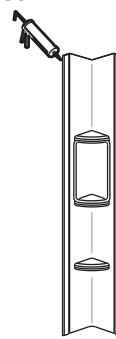


Image 10

PANNEAUX DU COIN

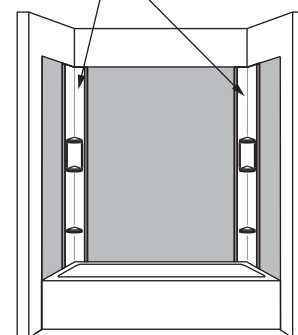


Image 11

4 APPLICATION DU ADHÉSIF ET INSTALLATION DE LA POIGNÉE DE DOUCHE ET LA POMME DE DOUCHE

- A) Laissez sécher l'adhésif pendant 24 heures avant d'appliquer l'adhésif, comme illustré.
- B) Appliquez un joint d'adhésif sur tous les coins, les bords extérieurs des panneaux, les panneaux du coin et le tablier de la baignoire ou de la base de douche. **Voir l'image 12.**
- C) Installez la poignée de douche et la pomme de douche conformément aux instructions du fabricant. Assurez-vous d'appliquer de l'adhésif sur toutes les plaques de garniture.

REMARQUE : **LAISSEZ SÉCHER L'ADHÉSIF PENDANT 24 HEURES AVANT LA PREMIÈRE UTILISATION.**

Installez la porte de douche ou la tige du rideau de douche selon les instructions du fabricant.

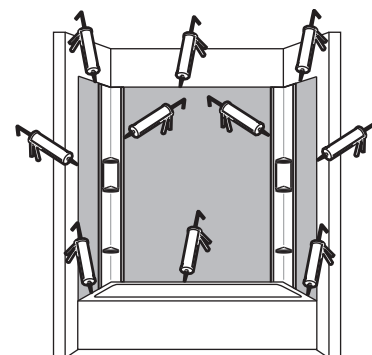


Image 12

NETTOYAGE APRÈS INSTALLATION

Retirez tous les déchets de construction. N'utilisez pas de brosse métallique ou autre matériel en métal.

Le nettoyage après installation se fait habituellement à l'aide d'eau chaude et d'un savon liquide à vaisselle.

Vous pouvez utiliser du naphte pour enlever les produits adhésifs excédentaires ou la peinture à base d'huile pas encore séchée.

ENTRETIEN et NETTOYAGE

ATTENTION : Les produits nettoyants comportant la mention « non adapté à l'utilisation avec ABS, acrylique ou polystyrène » **NE DOIVENT PAS ÊTRE UTILISÉS**. Lisez attentivement les étiquettes.

- **N'UTILISEZ JAMAIS DE PRODUITS CHIMIQUES NOCIFS SUR LA SURFACE DES MURS DE DOUCHE.** Après utilisation, nettoyez avec un produit nettoyant ménager doux. N'utilisez pas de Lestoil, de désinfectant Lysol (vaporisateur ou concentré), ou de nettoyant pour bain et carrelage Lysol, de Windex, de M. Net, de désinfectant nettoyant pour salle de bain Dow, ou tout autre produit nettoyant en aérosol.
- N'utilisez pas de brosse métallique, couteau ou objet tranchant pour retirer les tâches, les dépôts de goudron des cigarettes, ou toute autre marque sur la surface.
- N'utilisez pas de nettoyeurs abrasifs, car ils abîmeraient la surface. Si la surface brillante perd sa brillance, les zones ternies et les légères rayures peuvent être restaurées en frottant avec une pâte à polir blanche pour automobiles et en cirant avec une cire liquide.
- **Ne cirez pas les zones sur lesquelles vous vous déplacez.**
- Évitez tout contact du revêtement avec du dissolvant, acétone, produit de nettoyage à sec, décapant ou autre solvant en contact avec le revêtement.
- Nettoyez la surface environnante immédiatement après l'utilisation d'un nettoyant à drain caustique.
- Une cigarette allumée peut endommager la surface.

AS America, Inc. 10 ans de garantie limitée pour murs de douches et de baignoires Ovation

AS America, Inc. (American Standard) garantit au consommateur/acheteur original qu'elle réparera ou remplacera, à sa convenance, ces panneaux ou toute pièce qui, selon American Standard et à son entière discrétion, est défectueuse dans des conditions normales d'usage et d'entretien résidentiels tant et aussi longtemps que le produit appartienne au consommateur/acheteur original.

Pour activer la garantie limitée, l'acheteur doit visiter notre site Web au www.americanstandard-us.com/warranty (anglais seulement) et enregistrer son panneau mural dans les trente (30) jours suivant l'achat.

American Standard ne sera en aucun cas tenue responsable des coûts de réparation ou de remplacement de quelque matériel d'installation endommagé qui soit, ceci incluant, mais sans s'y limiter, les carreaux, et le marbre.

Cette garantie limitée NE S'APPLIQUE PAS dans les situations suivantes :

1. Toute défectuosité ou tout dommage provenant de l'expédition, de l'installation, de modifications, d'accidents, d'abus, d'un mauvais usage, d'un manque d'entretien et de nettoyage adéquat conformément au manuel du propriétaire, et de l'utilisation de pièces de rechange autres que les pièces d'origine American Standard, dans tous les cas causés par un entrepreneur en plomberie, une entreprise de réparation, le propriétaire ou toute autre personne.
2. La détérioration causée par l'usure normale, et les frais d'entretien normaux.
3. Toute application commerciale.
4. Les articles en option et les accessoires. La garantie limitée d'American Standard sur ces articles est pour une durée d'un an sur les pièces seulement, et ne couvre pas la main-d'œuvre. Cette garantie limitée d'un an couvre les accessoires fabriqués par American Standard (p. ex. les tabliers, les renvois, les barres d'appui, les systèmes de chauffage, et les ensembles de garniture) en ce qui a trait à toute défectuosité de matériel ou de fabrication. La couverture de la garantie entre en vigueur à la date où les accessoires ont été achetés à l'origine par le propriétaire.
5. Les frais de poste ou de livraison engagés pour le retour du produit pour réparation ou remplacement en vertu des conditions de cette garantie limitée, et les coûts de main-d'œuvre ou autre frais engagés pour l'installation ou l'enlèvement du produit en vertu de la présente garantie limitée.
6. TOUTE RESPONSABILITÉ POUR LES DOMMAGES INDIRECTS OU CONSÉCUTIFS, LAQUELLE EST EXPRESSÉMENT NIÉE POUR TOUS CES DOMMAGES, OU LA PROLONGATION, AU-DELÀ DE LA DURÉE DE LA PRÉSENTE GARANTIE LIMITÉE DE TOUTES GARANTIES LIMITÉES IMPLICITES, INCLUANT CELLES DE QUALITÉ MARCHANDE OU D'APTITUDE DANS UN BUT PARTICULIER. (Certaines juridictions ne permettent pas de limitations sur la durée d'une garantie implicite, ou l'exclusion ou la limitation de dommages indirects ou consécutifs; ces limitations peuvent donc ne pas s'appliquer à vous.)
7. La responsabilité de se conformer aux spécifications locales. (Puisque les spécifications locales varient largement, les distributeurs, les marchands, les entrepreneurs en installation et les utilisateurs des produits de plomberie devraient déterminer si des restrictions du code s'appliquent à l'installation ou à l'utilisation d'un produit spécifique.)

Cette garantie vous confère des droits précis. Vous pouvez vous prévaloir d'autres droits prévus par la loi, qui varient d'un État à l'autre ou d'une province à l'autre. Pour obtenir un service couvert par cette garantie, contactez le service suivant :

Aux États-Unis :

American Standard Brands
1 Centennial Ave.

Piscataway, New Jersey 08854

Attention : Directeur ou directrice de la consommation

Pour les résidents des États-Unis, il est également possible d'obtenir les renseignements relatifs à la garantie en appelant au numéro sans frais suivant :
800-442-1902
www.americanstandard.com

Au Canada :

LIXIL Canada, ULC
5900 Avebury Rd.
Mississauga (Ontario)
Canada L5R 3M3

Sans frais : 800-387-0369
www.americanstandard.ca

Au Mexique :

American Standard B&K Mexico
S. de R.L. de C.V.
Via Morelos #330
Col. Santa Clara

Ecatepec 55540 Edo. Mexico
Sans frais : 01-800-839-1200
www.americanstandard.com.mx