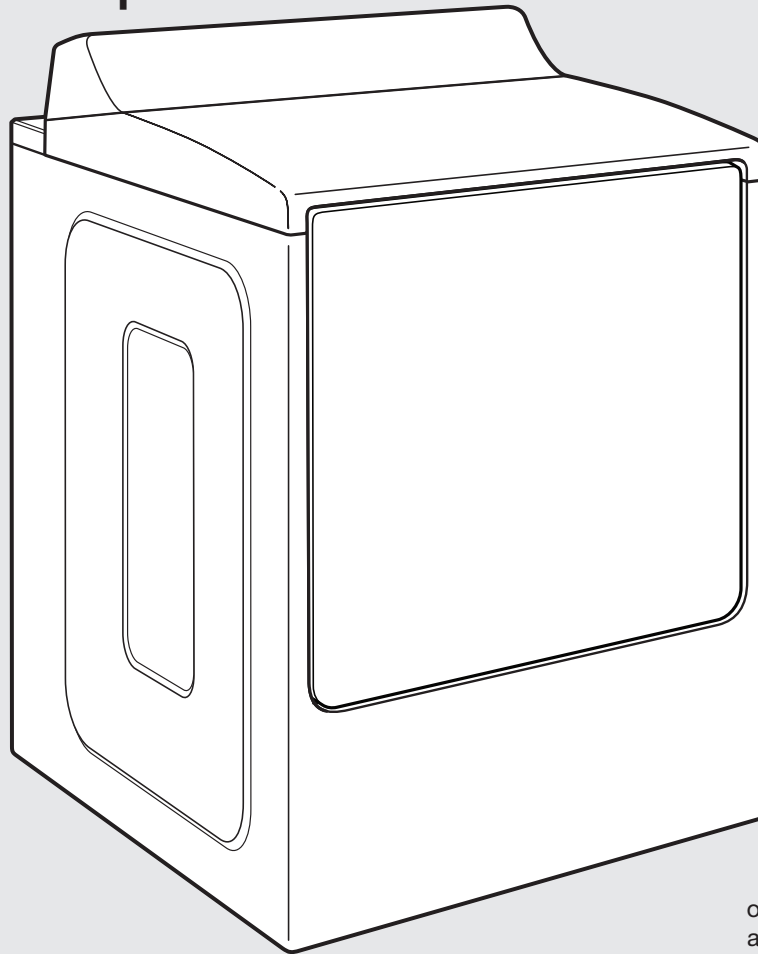




Use & Care Guide Guide d'utilisation et d'entretien

Electronic Dryer Sécheuse électronique



Para obtener acceso al Manual de uso y cuidado en español, o para obtener información adicional acerca de su producto, visite: www.whirlpool.com.

If you have any problems or questions, visit us at www.whirlpool.com
Pour tout problème ou question, consulter www.whirlpoolappliances.ca

Table of Contents

DRYER SAFETY	2
CHECK YOUR VENT SYSTEM FOR GOOD AIR FLOW	4
CONTROL PANEL AND FEATURES	5
CYCLE GUIDE	6
USING YOUR DRYER	10
ADDITIONAL FEATURES	12
DRYER CARE	13
TROUBLESHOOTING	15
WARRANTY	18
ASSISTANCE OR SERVICE	Back Cover

Table de matières

SÉCURITÉ DE LA SÈCHEUSE	19
VÉRIFICATION D'UNE CIRCULATION D'AIR ADÉQUATE POUR LE SYSTÈME D'ÉVACUATION	21
TABLEAU DE COMMANDE ET CARACTÉRISTIQUES	23
GUIDE DES PROGRAMMES	25
UTILISATION DE LA SÈCHEUSE	29
CARACTÉRISTIQUES SUPPLÉMENTAIRES	31
ENTRETIEN DE LA SÈCHEUSE	32
DÉPANNAGE	34
GARANTIE	38
ASSISTANCE OU SERVICE	Couverture arrière

Dryer Safety

Your safety and the safety of others are very important.

We have provided many important safety messages in this manual and on your appliance. Always read and obey all safety messages.



This is the safety alert symbol.

This symbol alerts you to potential hazards that can kill or hurt you and others.

All safety messages will follow the safety alert symbol and either the word "DANGER" or "WARNING."

These words mean:

⚠ DANGER

You can be killed or seriously injured if you don't immediately follow instructions.

⚠ WARNING

You can be killed or seriously injured if you don't follow instructions.

All safety messages will tell you what the potential hazard is, tell you how to reduce the chance of injury, and tell you what can happen if the instructions are not followed.



WARNING - "Risk of Fire"

- Clothes dryer installation must be performed by a qualified installer.
- Install the clothes dryer according to the manufacturer's instructions and local codes.
- Do not install a clothes dryer with flexible plastic venting materials or flexible metal (foil type) duct. If flexible metal duct is installed, it must be of a specific type identified by the appliance manufacturer as suitable for use with clothes dryers. Flexible venting materials are known to collapse, be easily crushed, and trap lint. These conditions will obstruct clothes dryer airflow and increase the risk of fire.
- To reduce the risk of severe injury or death, follow all installation instructions.
- Save these instructions.

IMPORTANT: When discarding or storing your old clothes dryer, remove the door.

IMPORTANT SAFETY INSTRUCTIONS

WARNING: To reduce the risk of fire, electric shock, or injury to persons when using the dryer, follow basic precautions, including the following:

- Read all instructions before using the dryer.
- Do not place items exposed to cooking oils in your dryer. Items contaminated with cooking oils may contribute to a chemical reaction that could cause a load to catch fire.
- Do not dry articles that have been previously cleaned in, washed in, soaked in, or spotted with gasoline, dry-cleaning solvents, or other flammable or explosive substances as they give off vapors that could ignite or explode.
- Do not allow children to play on or in the dryer. Close supervision of children is necessary when the dryer is used near children.
- Before the dryer is removed from service or discarded, remove the door to the drying compartment.
- Do not reach into the dryer if the drum is moving.
- Do not install or store the dryer where it will be exposed to the weather.
- Do not tamper with controls.
- Do not repair or replace any part of the dryer or attempt any servicing unless specifically recommended in this Use and Care Guide or in published user-repair instructions that you understand and have the skills to carry out.
- Do not use fabric softeners or products to eliminate static unless recommended by the manufacturer of the fabric softener or product.
- Do not use heat to dry articles containing foam rubber or similarly textured rubber-like materials.
- Clean lint screen before or after each load.
- Keep area around the exhaust opening and adjacent surrounding areas free from the accumulation of lint, dust, and dirt.
- The interior of the dryer and exhaust vent should be cleaned periodically by qualified service personnel.
- See “Electrical Requirements” located in the installation instructions for grounding instructions.

SAVE THESE INSTRUCTIONS

WARNING: For your safety, the information in this manual must be followed to minimize the risk of fire or explosion, or to prevent property damage, personal injury, or death.

- Do not store or use gasoline or other flammable vapors and liquids in the vicinity of this or any other appliance.
- **WHAT TO DO IF YOU SMELL GAS:**
 - Do not try to light any appliance.
 - Do not touch any electrical switch; do not use any phone in your building.
 - Clear the room, building, or area of all occupants.
 - Immediately call your gas supplier from a neighbor's phone. Follow the gas supplier's instructions.
 - If you cannot reach your gas supplier, call the fire department.
- Installation and service must be performed by a qualified installer, service agency, or the gas supplier.

WARNING: Gas leaks cannot always be detected by smell.

Gas suppliers recommend that you use a gas detector approved by UL or CSA.

For more information, contact your gas supplier.

If a gas leak is detected, follow the “What to do if you smell gas” instructions.

State of California Proposition 65 Warnings:

WARNING: This product contains one or more chemicals known to the State of California to cause cancer.

WARNING: This product contains one or more chemicals known to the State of California to cause birth defects or other reproductive harm.

Check Your Vent System For Good Air Flow

⚠ WARNING



Fire Hazard

Use a heavy metal vent.

Do not use a plastic vent.

Do not use a metal foil vent.

Failure to follow these instructions can result in death or fire.

Good air flow

Along with heat, dryers require good air flow to efficiently dry laundry. Proper venting will reduce your drying times and improve your energy savings. See Installation Instructions.

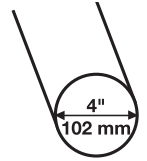
The venting system attached to the dryer plays a big role in good air flow. Blocked or crushed vents as well as improper venting installation will reduce air flow and dryer performance.

Service calls caused by improper venting are not covered by the warranty and will be paid by the customer, regardless of who installed the dryer. To clean or repair venting, contact a venting specialist.

Maintain good air flow by:

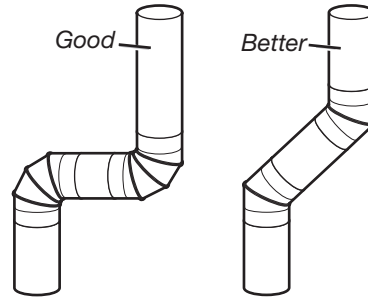
- Cleaning your lint screen before each load.

- Replace plastic or foil vent material with 4" (102 mm) diameter heavy, rigid vent material.



- Use the shortest length of vent possible.

- Use no more than four 90° elbows in a vent system; each bend and curve reduces air flow.



- Remove lint and debris from the exhaust hood.

- Remove lint from the entire length of the vent system at least every 2 years. When cleaning is complete, be sure to follow the Installation Instructions supplied with your dryer for final product check.

- Clear away items from the front of the dryer.

EcoBoost™ option

Touch to activate the EcoBoost™ option, which allows you to increase your energy savings by using a slightly lower heat level. For automatic cycles the EcoBoost™ option will increase drying times by approximately 40 minutes; the LED Display will reflect this time.

The EcoBoost™ option will default on for Normal. For optimal energy turn on the EcoBoost™ option. For optimal time turn off the EcoBoost™ option

What To Dry and How To Dry? for better fabric care and energy savings.

By answering these questions, you can achieve the most energy savings and enhanced fabric care from your dryer. Using these automatic cycles, the drying air temperature and moisture levels are sensed in the load. This sensing process occurs throughout the entire drying cycle and turns off once the load reaches your selected dryness level. Using the NORMAL dryness level provides the optimal energy savings.

If Timed Dry is your answer, the dryer runs for the amount of time you select, which sometimes results in shrinkage, wrinkling, and static due to over-drying. Use Timed Dry for the occasional damp load that needs a little more drying time or when using the drying rack.

Tips for getting the best performance from your steam dryer (on some models)

- Results may vary depending on fabric. 100% cotton garments with wrinkle-free finish may yield better results than those without. 100% cotton items may require additional touching up after cycles that use steam.

- Use of fabric softener sheet is not recommended with cycles that use steam. It may cause temporary staining on clothes.

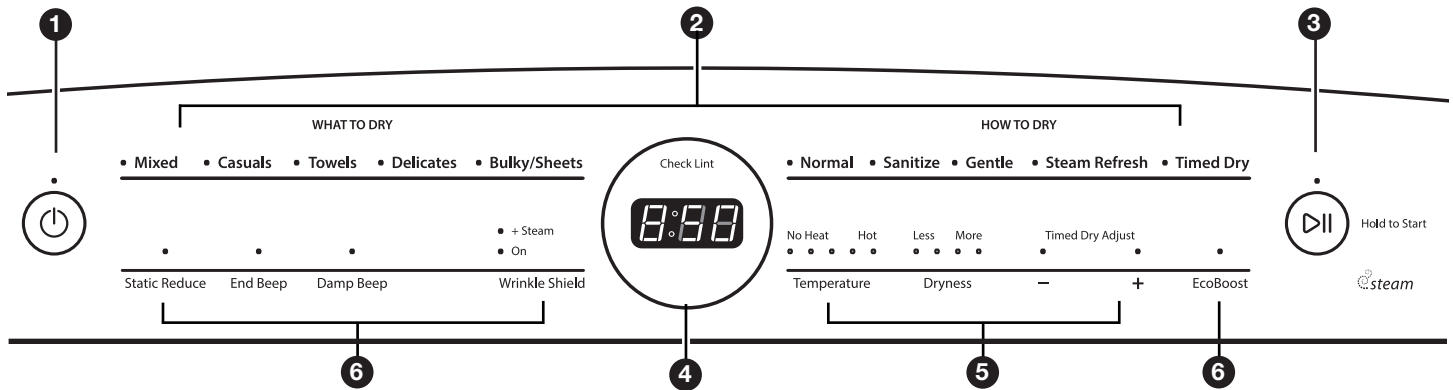
- Cycles that use steam are not recommended for items that have been starched. Wash any starched or new garments prior to using a cycle that uses steam.

- The Steam Refresh Cycle is best for smoothing out wrinkles and reducing odors from loads consisting of dry items of wrinkle-free cotton, cotton-polyester blend, common knits, and synthetics.

Control Panel and Features

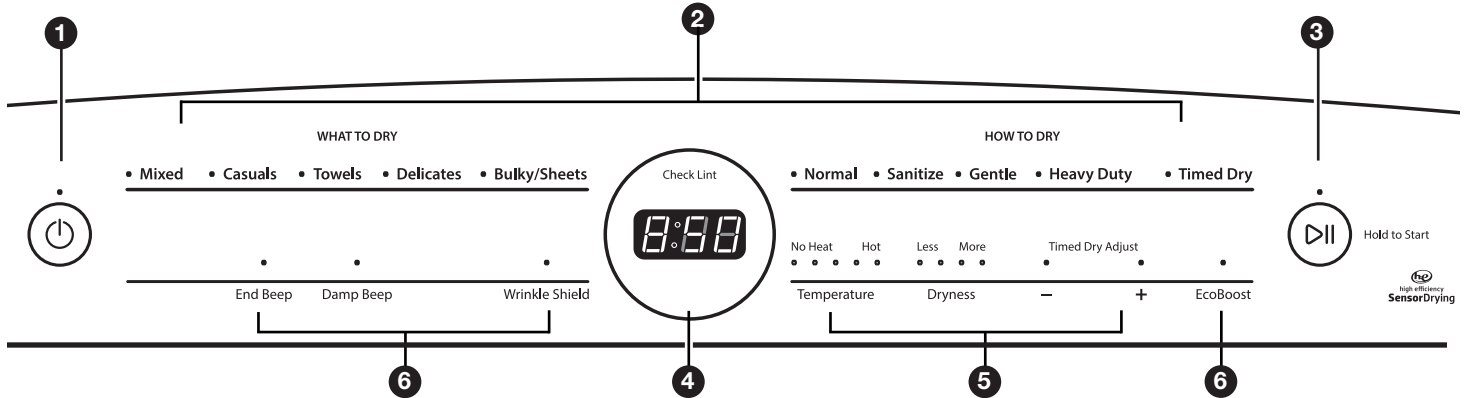
Not all features and cycles are available on all models.

STEAM MODELS



NOTE: The control panel features a sensitive surface that responds to a light touch of your finger. To ensure your selections are registered, touch the control panel with your finger tip, not your fingernail. When selecting a setting or option, simply touch its name.

NON-STEAM MODELS



- 1 POWER**
Touch to turn the dryer on and off. Touch to stop/cancel a cycle at any time.
- 2 WHAT TO DRY/HOW TO DRY**
First select a cycle from the “What to Dry” (Automatic cycles) and then select the “How to Dry” to get the best combination cycle available for the type of items you are going to dry. See “Cycle Guide” for cycle details.
- 3 START/PAUSE**
Touch and hold until the LED comes on to start a cycle, or touch once while a cycle is in process to pause it.
- 4 LED DISPLAY**
When you select a cycle, its default settings will light up and the Estimated Time Remaining (for Automatic Cycles) will vary depending on “What to Dry” and “How to Dry” selections or actual time remaining for Timed Dry cycles (for Manual Cycles) will be displayed.

- 5 MODIFIERS**
Use to select available modifiers for your dryer. Not all cycles and options are available on all models.
 - Temperature**
When using Timed Dry Cycle, you may select a dry temperature based on the type of load you are drying. Use the warmest setting safe for the garments in the load. Follow garment label instructions.
NOTE: Automatic Cycles will give you up to 3 temperatures to adjust and it varies, depending on the “What to Dry” or “How to Dry” selections that have been made.
 - Dryness**
You may adjust the Dryness on Automatic Cycles (except for the Sanitize cycle), if desired.
NOTE: Dryness is for use with Automatic Cycles only.
 - +/- Timed Dry Adjust**
Touch “+” or “-” with Timed Dry cycle to increase or decrease the length of the cycle.

6 OPTIONS

Use to select available options for your dryer. Not all cycles and options are available on all models.

Static Reduce (on some models)

Touch to add the Static Reduce option to selected Automatic cycles. The dryer will automatically tumble, pause, and introduce a small amount of moisture into the load to help reduce static. This option adds approximately 8 minutes to the total cycle time.

End Beep

Use this to turn the signal indicating the end of a drying cycle to low, medium, high, or off.

NOTE: You may also turn off the tones that sound when a feature, setting, or option is touched. Touch and hold End Beep for about three seconds to turn sounds to low, medium, high, or off.

Damp Beep

Touch to select the Damp Beep signal. You may adjust the signal to low, medium, high, or off. When selected, a series of beeps will sound when the load is damp, but not completely dry. This will allow you to take clothes out of the load that do not need to dry completely. This option is available on some cycles. The Damp Beep signal is selected as a default for the Bulky/Sheets cycle, as a reminder to manually reposition bulky loads midway through the cycle.

Wrinkle Shield™ Option

If you will be unable to remove a load immediately, touch Wrinkle Shield™ to add up to 150 minutes of periodic tumbling to help reduce wrinkling. You may select the "+ Steam" setting (on some models) to add a short steam cycle after 60 minutes to help smooth out wrinkles.

NOTE: If you open the dryer door prior to the end of the Wrinkle Shield™ option, the dryer will go into Pause mode. You will need to touch Power to turn off or touch Start/Pause to continue Wrinkle Shield™ option.

EcoBoost™ Option

Touch to activate the EcoBoost™ option, which allows you to increase your energy savings by using a slightly lower heat level. This will increase dry times. EcoBoost™ option will default on for Mixed Normal. Can be selected for: Mixed Gentle, Casual Normal, Casual Gentle, Delicate Normal, and Delicate Gentle. It will be not available for the other cycles.

Steam Refresh (steam models only)

This cycle is best for reducing wrinkles and odors from dry items. Cycle time will increase depending on number of items.

Cycle Guide - Steam Model

The Whirlpool® Cabrio® dryer, has a unique user interface to help you select the best cycle you need for your load. The "What to Dry" "How to Dry" layout guides you to the optimal cycle in two easy steps:

First determine what items are in the load that you are trying to dry. Use that to guide your "What to Dry" selection. Then determine how you want the dryer to dry them by selecting the appropriate "How to Dry" selection.

To get the most energy savings and enhanced fabric care from your dryer use the Automatic cycles. These cycles measure the drying air temperature and moisture levels to turn the dryer off once the load reaches the selected dryness level. Dryer performance and results may vary with service voltage less than 240.

For best fabric care, choose the cycle that best fits the load being dried.

R - Recommended Cycle

a - Alternate Cycle

Blank – Cycle is available but not optimal.

		How do you want to dry?				
		"How to Dry" Cycle Selection				
		Normal	Sanitize*	Gentle	Steam Refresh	Timed Dry
		<i>Regular Automatic Sensor Cycle stops when dryness level is reached.</i>	<i>Hot High Heat Used to kill 99.9% of 3 common bacteria.</i>	<i>Lower Heat Automatic Sensor Cycle stops when dryness level is reached.</i>	<i>Steam Cycle to remove wrinkles and odors.</i>	<i>Set amount of dry time Dryer runs for the amount of time selected.</i>
What do you want to dry?	"What to Dry" Cycle Selection					
Baby Clothes	Mixed	R				
Handkerchiefs		a	R			
Pajamas		R				
Sweatshirts		R				
T-Shirts		R				
Business Casual	Casuals	R				
Cotton Drapes		R				
Dress Shirts/Pants		R				
Machine Wash Curtains		R				
Napkins		R				
No-Iron Fabrics		R				
Tablecloth		R				

For best fabric care, choose the cycle that best fits the load being dried.

R - Recommended Cycle

a - Alternate Cycle

Blank – Cycle is available but not optimal.

		How do you want to dry?				
		"How to Dry" Cycle Selection				
		Normal	Sanitize*	Gentle	Steam Refresh	Timed Dry
		<i>Regular Automatic Sensor Cycle stops when dryness level is reached.</i>	<i>Hot High Heat Used to kill 99.9% of 3 common bacteria.</i>	<i>Lower Heat Automatic Sensor Cycle stops when dryness level is reached.</i>	<i>Steam Cycle to remove wrinkles and odors.</i>	<i>Set amount of dry time Dryer runs for the amount of time selected.</i>
What do you want to dry?	"What to Dry" Cycle Selection					
Dish Cloths	Towels	R	a			
Jeans		a		R		
Non-Rubber Lined Rugs & Mats				R		
Towels		R				
Athletic/High Performance Wear	Delicates	R				
Bras		a		R		
Fabric Shower Curtain				R		
Lingerie		a		R		
Sheers				R		
Undergarments		a		R		
Wool				R		
Blankets	Bulky/Sheets	R				
Coats & Jackets		R				
Comforters		R				
Fabric Rugs		R				
Fiber Fill Pillows (not feather or decorative)		R				
Heavy Drapes		R				
Pet Bedding		R				
Sheets		R				
Sleeping Bags		R				
Stuffed Animals		R				
Feather Pillows	Air Only					R
Plastic Shower Curtains						R
Rubber and Rubber backed rugs and mats						R
Vinyl Table Cloths						R

*Extended high-heat drying cycle intended to help sanitize items such as sheets and towels. This cycle is not recommended for all fabrics. For best results, this cycle should be run to completion to ensure sanitization and do not interrupt cycle.

Cycle Guide - Non-Steam Model

The Whirlpool® Cabrio® dryer, has a unique user interface to help you select the best cycle you need for your load. The “What to Dry” “How to Dry” layout guides you to the optimal cycle in two easy steps:

First determine what items are in the load that you are trying to dry. Use that to guide your “What to Dry” selection. Then determine how you want the dryer to dry them by selecting the appropriate “How to Dry” selection.

To get the most energy savings and enhanced fabric care from your dryer use the Automatic cycles. These cycles measure the drying air temperature and moisture levels to turn the dryer off once the load reaches the selected dryness level. Dryer performance and results may vary with service voltage less than 240.

For best fabric care, choose the cycle that best fits the load being dried.

R - Recommended Cycle

a - Alternate Cycle

Blank – Cycle is available but not optimal.

How do you want to dry?				
“How to Dry” Cycle Selection				
Normal	Sanitize*	Gentle	Heavy Duty	Timed Dry
<i>Regular Automatic Sensor Cycle stops when dryness level is reached.</i>	<i>Hot High Heat. Used to kill 99.9% of 3 common bacteria.</i>	<i>Lower Heat. Automatic Sensor Cycle stops when dryness level is reached.</i>	<i>High Heat longer cycle. Automatic Sensor Cycle stops when dryness level is reached.</i>	<i>Set amount of dry time Dryer runs for the amount of time selected.</i>

What do you want to dry?	“What to Dry” Cycle Selection	Normal	Sanitize*	Gentle	Heavy Duty	Timed Dry
Baby Clothes	Mixed	R				
Handkerchiefs		a	R		a	
Pajamas		R				
Towels-Normal		R				
T-Shirts		R				
Business Casual	Casuals	R				
Cotton Drapes		R				
Dress Shirts/Pants		R				
Machine Wash Curtains		R				
Napkins		R				
No-Iron Fabrics		R				
Tablecloth		R				
Dish Cloths	Towels	a	a		R	
Jeans		R				
Non-Rubber Lined Rugs & Mats				R		
Sweatshirts		R				
Towels		a			R	
Athletic/High Performance Wear	Delicates	R				
Bras				R		
Fabric Shower Curtain				R		
Lingerie				R		
Sheers				R		
Undergarments		a		R		
Wool				R		

For best fabric care, choose the cycle that best fits the load being dried.

R - Recommended Cycle

a - Alternate Cycle

Blank – Cycle is available but not optimal.

		How do you want to dry?				
		"How to Dry" Cycle Selection				
		Normal	Sanitize*	Gentle	Heavy Duty	Timed Dry
		<i>Regular Automatic Sensor Cycle stops when dryness level is reached.</i>	<i>Hot High Heat. Used to kill 99.9% of 3 common bacteria.</i>	<i>Lower Heat. Automatic Sensor Cycle stops when dryness level is reached.</i>	<i>High Heat longer cycle. Automatic Sensor Cycle stops when dryness level is reached.</i>	<i>Set amount of dry time. Dryer runs for the amount of time selected.</i>
What do you want to dry?	"What to Dry" Cycle Selection					
Blankets	Bulky/Sheets				R	
Coats & Jackets					R	
Comforters					R	
Fabric Rugs		R				
Heavy Drapes		R				
Pet Bedding		R				
Pillows - Fiber Fill					R	
Sheets		R				
Sleeping Bags		R				
Stuffed Animals		R				
Feather Pillows	Air Only					R
Plastic Shower Curtains						R
Rubber and Rubber backed rugs and mats						R
Vinyl Table Cloths						R

*Extended high-heat drying cycle intended to help sanitize items such as sheets and towels. This cycle is not recommended for all fabrics. For best results, this cycle should be run to completion to ensure sanitization and do not interrupt cycle.

Using Your Dryer

⚠️ WARNING



Explosion Hazard

Keep flammable materials and vapors, such as gasoline, away from dryer.

Do not dry anything that has ever had anything flammable on it (even after washing).

Failure to follow these instructions can result in death, explosion, or fire.

WARNING: To reduce the risk of fire, electric shock, or injury to persons, read the IMPORTANT SAFETY INSTRUCTIONS before operating this appliance.

⚠️ WARNING



Fire Hazard

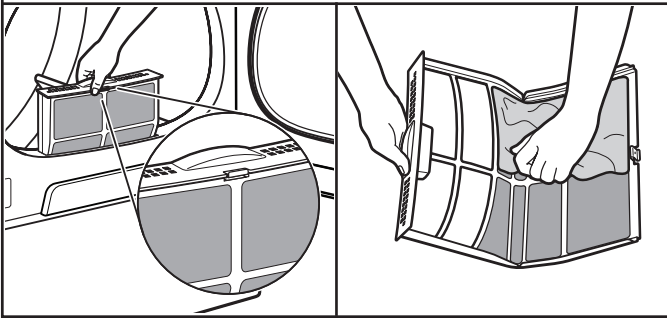
No washer can completely remove oil.

Do not dry anything that has ever had any type of oil on it (including cooking oils).

Items containing foam, rubber, or plastic must be dried on a clothesline or by using an Air Cycle.

Failure to follow these instructions can result in death or fire.

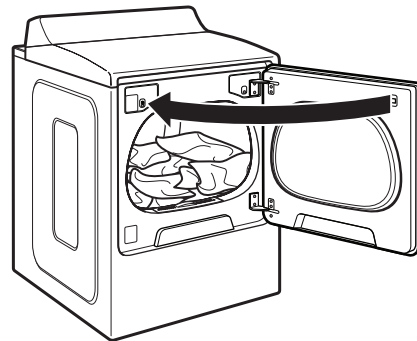
1. Clean the lint screen



Clean the lint screen before each load. Pull the lint screen straight up and push tab down on front to open lint screen. Roll lint off the screen with your fingers. Do not rinse or wash screen to remove lint. Wet lint is hard to remove. Close lint screen and push the lint screen firmly back into place.

For additional cleaning information, see "Dryer Care."

2. Load the dryer



Open the door by pulling on the handle. Place laundry in the dryer. Add a dryer sheet to wet load, if desired. Close the door.

IMPORTANT: Do not tightly pack the dryer. Items need to tumble freely. Tightly packing can lead to poor drying performance and may increase wrinkling and tangling.

3. Touch POWER



Touch POWER to turn on the dryer.

4. Select type of load to dry

WHAT TO DRY

- Mixed
- Casuals
- Towels
- Delicates
- Bulky/Sheets

HOW TO DRY

- Normal
- Sanitize
- Gentle
- Steam Refresh
- Timed Dry

First select a cycle from the “What to Dry” (Automatic cycles) and then select the “How to Dry” to get the best combination cycle available for the type of items you are going to dry. See “Cycle Guide” for cycle details. Not all cycles are available on all models.

Automatic Cycles:

You can select a different dryness level, depending on your load. Touch DRYNESS to scroll to Less to More. Selecting Less to More automatically adjusts the dryness level at which the dryer will shut off. Dryness level can be changed in the first 5-8 minutes of the cycle.

Automatic Cycles give the best drying in the shortest time. Drying time varies based on fabric type, load size, and dryness setting.

NOTE: Automatic Cycles will give you up to 3 temperatures to adjust and it varies, depending on the “What to Dry” or “How to Dry” selections that have been made.

TIMED DRY Cycle:

When you select Timed Dry, the default time appears in the display. Touch “+” and “-” to increase or decrease the time in 1 minute increments. Touch and hold to change the time in 5 minute increments.

The default temperature may be changed by pressing Temperature until the desired dry temperature is lit.

Steam Refresh Cycles (on some models):

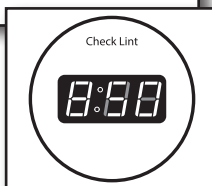
Select Steam Refresh to reduce odors and light wrinkles in dry loads consisting of wrinkle-free cotton, cotton-polyester blends, common knits, and synthetics. If you will be unable to remove a load immediately, touch Wrinkle Shield™ to add up to 150 minutes of periodic tumbling. You may select the + Steam setting to add a short steam cycle after 60 minutes to help smooth out wrinkles.

5. Adjust cycle modifiers, if desired

- | | | | | |
|-------------|---------|---------|---------|------------------|
| No Heat | Hot | Less | More | Timed Dry Adjust |
| • • • • | • • • • | • • • • | • • • • | • • • • |
| Temperature | Dryness | - | + | |

You may adjust different settings, depending on what you are drying and how you are going to dry the item. See the “Cycle Guide” for detailed information.

NOTE: Not all options and modifiers are available with all cycles. Not all cycles are on all models.



6. Select any additional options

- | | | | | |
|---------------|----------|-----------|----------------|----------|
| • | • | • | • + Steam | • |
| Static Reduce | End Beep | Damp Beep | Wrinkle Shield | EcoBoost |

Add additional options such as Static Reduce, Wrinkle Shield, and/or EcoBoost™ (on some models) by touching that option. If you will be unable to remove the load promptly, select Wrinkle Shield™ before pressing START/PAUSE. You may select the “+ Steam” setting (on some models) to add a short steam cycle after 60 minutes to help smooth out wrinkles.

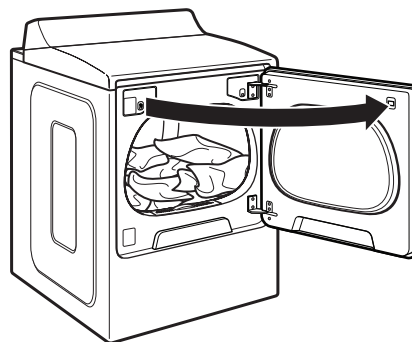
NOTE: Not all options and settings are available with all cycles.

7. Touch and hold START/PAUSE to begin cycle



Touch and hold START/PAUSE to begin the cycle.

8. Remove garments promptly after cycle is finished



Promptly remove garments after cycle has completed to reduce wrinkling.

Changing the Automatic Cycle settings to increase or decrease drying time

If all your loads on all Automatic Cycles are consistently less dry or more dry than you would like, you may change the default settings to increase or decrease the default dryness level.

Your automatic drying settings can be adjusted to adapt to different installations, environmental conditions, or personal preference. This change is retained and will affect all of your Automatic Cycles, not just the current cycle/load. There are 5 drying settings, which are displayed using the time display:

- 0 Much wetter clothes, 30% less drying time.
- 1 Slightly wetter clothes, 15% less drying time.
- 2 Factory preset dryness level.
- 3 Slightly drier clothes, 15% more drying time.
- 4 Much drier clothes, 30% more drying time.

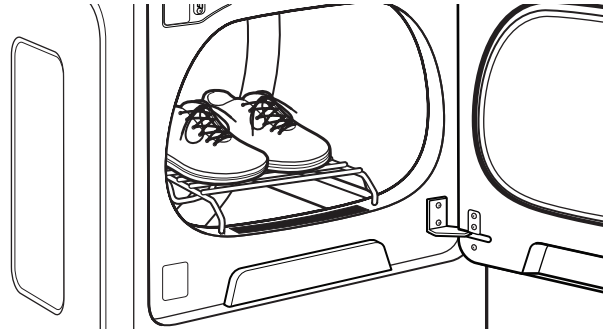
To change the drying settings:

NOTE: The settings cannot be changed while the dryer is running or paused. The dryer must be in standby mode (power is off) to adjust the default settings.

1. Before starting a cycle, touch and hold DRYNESS for 6 seconds.
2. Touch DRYNESS to select the dryness level shown in the time display: 0, 1, 2, 3, or 4.
3. Touch START/PAUSE to save the new dryness level setting.

USING THE DRYING RACK (cont.)

2. Align the two hooks on the front of the drying rack with the holes in the dryer door opening and press down fully into holes. Rest the rear support on the dryer back ledge.



3. Place wet items on top of the drying rack. Allow space around items for air to circulate. The drying rack does not move, but the drum will rotate; be sure to leave adequate clearance between items and the inside of the dryer drum. Make sure items do not hang over the edges or between drying rack grille.
4. Close the door.
5. Select a Timed Dry/Air Only, or Low Temperature cycle. Items containing foam, rubber, or plastic must be dried on a clothesline or by using the Air Only setting.
6. When the cycle is selected, the Estimated Time Remaining display shows the default time. You can change the actual time in the cycle by increasing or decreasing the cycle time.
7. Start the dryer.

NOTE: Check the lint screen and remove any lint accumulated from items dried on the drying rack after the cycle is finished.

Additional Features

USING THE DRYING RACK

To obtain a drying rack for your dryer, order by calling **1-877-944-7566**. You will need your model and serial number and the purchase date. Remove and discard any packing material before use.

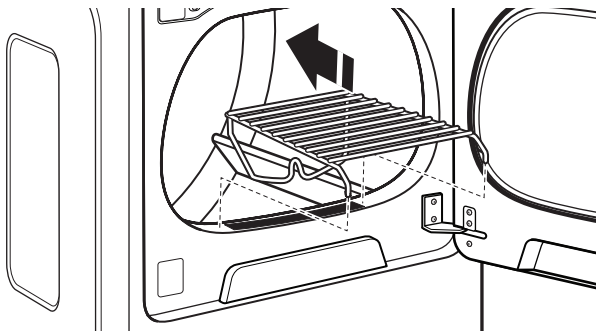
Use the Drying Rack for items that you do not want to tumble dry, such as sweaters and tennis shoes. When you use the drying rack, the drum continues to turn, but the rack remains stationary.

The drying rack is intended for use with the Manual Dry/ Timed Dry cycles only. The drying rack cannot be used with Automatic cycles.

To use the drying rack:

IMPORTANT: Do not remove the lint screen.

1. Open dryer door.



Dryer Care

CLEANING THE DRYER LOCATION

Keep dryer area clear and free from items that would block the air flow for proper dryer operation. This includes clearing piles of laundry in front of the dryer.

⚠ WARNING



Explosion Hazard

Keep flammable materials and vapors, such as gasoline, away from dryer.

Place dryer at least 18 inches (460 mm) above the floor for a garage installation.

Failure to do so can result in death, explosion, or fire.

CLEANING THE DRYER INTERIOR

To clean dryer drum

1. Use a mild hand dish detergent mixed at a low concentration with very warm water, and rub with a soft cloth.
2. Rinse well with a wet sponge or towel.
3. Tumble a load of clean clothes or towels to dry drum
OR
Use a microfiber cloth and hot water in a spray bottle to clean the drum and a second microfiber towel to dry.

NOTE: Garments that contain unstable dyes, such as denim blue jeans or brightly colored cotton items, may discolor the rear of the dryer interior. These stains are not harmful to your dryer and will not stain future loads of clothes. Dry unstable dye items inside out to avoid transfer of dye.

REMOVING ACCUMULATED LINT

From Inside the Dryer Cabinet

Lint should be removed every 2 years, or more often, depending on dryer usage. Cleaning should be done by a qualified appliance servicer or ventilation system cleaner.

From the Exhaust Vent

Lint should be removed every 2 years, or more often, depending on dryer usage.

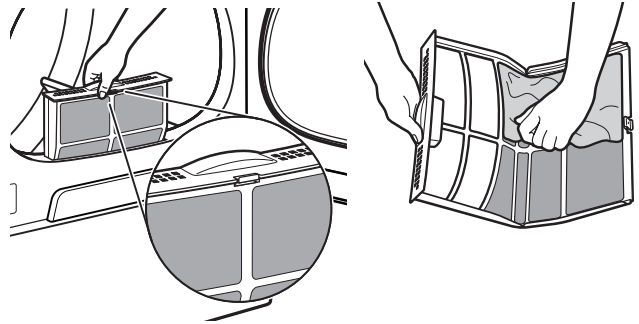
CLEANING THE LINT SCREEN

Every load cleaning

The lint screen is located in the door opening of the dryer. The control panel has an indicator light "Check Lint" to remind you to clean the lint screen after each load. A screen blocked by lint can increase drying time.

To clean:

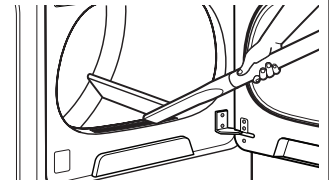
1. Pull the lint screen straight up. Press tab down and open lint screen. Roll lint off the screen with your fingers. Do not rinse or wash screen to remove lint. Wet lint is hard to remove.



2. Close the lint screen and push firmly back into place.

IMPORTANT:

- Do not run the dryer with the lint screen loose, damaged, blocked, or missing. Doing so can cause overheating and damage to both the dryer and fabrics.
- If lint falls off the screen into the dryer during removal, check the exhaust hood and remove the lint. See "Venting Requirements" in the Installation Instructions.
- Clean space where lint screen is located, as needed. Using a vacuum, gently remove any lint that has accumulated outside of the lint screen.



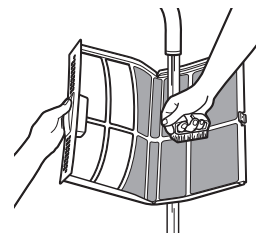
As needed cleaning

Laundry detergent and fabric softener residue can build up on the lint screen. This buildup can cause longer drying times for your clothes, or cause the dryer to stop before your load is completely dry. The screen is probably clogged if lint falls off while the screen is in the dryer.

Clean the lint screen with a nylon brush every 6 months, or more frequently, if it becomes clogged due to a residue buildup.

To wash:

1. Roll lint off the screen with your fingers.
2. Wet both sides of lint screen with hot water.
3. Wet a nylon brush with hot water and liquid detergent. Scrub lint screen with the brush to remove residue buildup.



4. Rinse screen with hot water.
5. Thoroughly dry lint screen with a clean towel. Reinstall screen in dryer.

NON-USE, STORAGE, AND MOVING CARE

Steam models only: Install and store your dryer where it will not freeze. Because some water may stay in the hose, freezing can damage your dryer. If storing or moving your dryer during freezing weather, winterize it.

Non-Use or Storage Care

Operate your dryer only when you are at home. If you will be on vacation or not using your dryer for an extended period of time, you should:

1. Unplug dryer or disconnect power.
2. Clean lint screen. See "Cleaning the Lint Screen."
3. Turn off the water supply to the dryer. This helps to avoid unintended flooding (due to a water pressure surge) while you are away.

Moving Care

For power supply cord-connected dryers:

1. Unplug the power supply cord.
2. Gas models only: Close shut-off valve in gas supply line.
3. Gas models only: Disconnect gas supply line pipe and remove fittings attached to dryer pipe.
4. Gas models only: Cap the open fuel supply line.
5. Steam models only: Shut off water faucet.
6. Disconnect the water inlet hose from faucet, then drain the hose. Transport hose separately.
7. Make sure leveling legs are secure in dryer base.
8. Use tape to secure dryer door.

SPECIAL INSTRUCTIONS FOR STEAM MODELS

Water Inlet Hose

Replace inlet hose and hose screen after 5 years of use to reduce the risk of hose failure. Periodically inspect and replace inlet hose if bulges, kinks, cuts, wear, or leaks are found.

When replacing your inlet hose, record the date of replacement.

To Winterize the Dryer

1. Unplug dryer or disconnect power.
2. Shut off water faucet.
3. Disconnect water inlet hose from faucet and drain.

To Use the Dryer Again

1. Flush water pipes. Reconnect water inlet hose to faucet. Turn on water faucet.
2. Plug in dryer or reconnect power as described in the Installation Instructions.

WARNING



Electrical Shock Hazard

Disconnect power before servicing.

Replace all parts and panels before operating.

Failure to do so can result in death or electrical shock.

For direct-wired dryers:

1. Disconnect power.
2. Disconnect wiring.
3. Steam models only: Shut off water faucet.
4. Steam models only: Disconnect the water inlet hose from faucet; then drain the hose. Transport hose separately.
5. Make sure leveling legs are secure in dryer base.
6. Use tape to secure dryer door.

Reinstalling the Dryer

Follow the Installation Instructions to locate, level, and connect the dryer.

Troubleshooting

First try the solutions suggested here or visit our website at www.whirlpool.com/product_help –
In Canada www.whirlpool.ca for assistance and to possibly avoid a service call.

If you experience	Possible Causes	Solution
Dryer Operation		
Dryer will not run	Door not closed completely.	Make sure the dryer door is closed completely.
	START/PAUSE touched with fingernail.	Touch START/PAUSE with pad of finger.
	Household fuse is blown or circuit breaker has tripped.	There may be 2 household fuses or circuit breakers for the dryer. Check that both fuses are intact and tight, or that both circuit breakers have not tripped. Replace the fuses or reset the circuit breaker. If the problem continues, call an electrician.
	Incorrect power supply.	Electric dryers require 240-volt power supply. Check with a qualified electrician.
	Wrong type of fuse.	Use a time-delay fuse.
Dryer will not turn off	Dryer door was opened prior to the end of the Wrinkle Shield™ option.	If you open the dryer door prior to the end of the Wrinkle Shield™ option, the dryer will go into Pause mode. You will need to touch Power to turn off or touch Start/Pause to continue Wrinkle Shield™ option.
Dryer will not heat	Household fuse is blown or circuit breaker has tripped.	The drum may be turning, but you may not have heat. Electric dryers use 2 household fuses or circuit breakers. Replace the fuses or reset the circuit breaker. If the problem continues, call an electrician.
	Incorrect power supply.	Electric dryers require 240-volt power supply. Check with a qualified electrician.
	Supply line valve not open.	For gas dryers, make sure that the valve on the gas supply line is open.
Unusual Noise		
Humming or whining noise with Steam cycle selected	Water pump on dryer is running.	The water pump on the dryer is used during the Steam function. If the dryer has just been installed or unused for an extended period, the pump may be louder and run longer. This is normal.
Thumping noise	Dryer hasn't been used in a while.	This is normal. The thumping sound should diminish after a few minutes of use.
Rattling or vibrating noise	A small object caught between the edges of dryer drum.	Check the front and rear edges of the drum for small objects. Clean out pockets before laundering.
	Dryer isn't properly leveled.	The dryer may vibrate if not properly installed. See the Installation Instructions. All four dryer feet should be in firm contact with the floor.
	Clothing is balled up in dryer.	When balled up, the load will bounce, causing the dryer to vibrate. Separate the load items and restart the dryer.
Clicking noise	Gas valve operating.	On gas dryers, you may hear the gas valve clicking as it opens and closes. This is normal.
Dryer Results		
Drying times are too long and clothes are not getting dry	Lint screen or lint screen housing is clogged with lint.	Clean lint screen before each load. Clean space where lint screen is located, as needed. Using a vacuum, gently remove any lint that has accumulated outside of the lint screen.
	The exhaust vent or outside exhaust hood is clogged with lint, restricting air movement.	Run the dryer for 5–10 minutes. Hold your hand under the outside exhaust hood to check air movement. If you do not feel air movement, clean exhaust system of lint or replace exhaust vent with heavy metal or flexible metal vent. See the Installation Instructions.
	The exhaust vent is not the correct length.	Check that the exhaust vent is not too long or has too many turns. Long venting will increase drying times. See the Installation Instructions.
	The exhaust vent diameter is not the correct size.	Use 4" (102 mm) diameter vent material.
	The dryer is not level.	Clothes not contacting the moisture sensors during Automatic cycles. See "Level Dryer" in the Installation Instructions.
	The No Heat temperature setting has been selected.	Select the correct temperature for the types of garments being dried. See "Cycle Guide."

Troubleshooting

First try the solutions suggested here or visit our website at www.whirlpool.com/product_help -
In Canada www.whirlpool.ca for assistance and to possibly avoid a service call.

If you experience	Possible Causes	Solution
Dryer Results (cont.)		
Drying times are too long and clothes are not getting dry	The load is too large and heavy to dry quickly.	Separate the load to tumble freely.
	Fabric softener sheets are blocking the grille.	The air outlet grille is just inside the door, behind the lint screen. Check that it is not blocked by a fabric softener sheet. Use only one fabric softener sheet, and use it only once.
	The dryer is located in a room with temperature below 45°F (7°C).	Proper operation of dryer cycles requires temperatures above 45°F (7°C).
	The dryer is located in a closet.	Closet doors must have ventilation openings at the top and bottom of the door. The front of the dryer requires a minimum of 1" (25 mm) of airspace, and, for most installations, the rear of the dryer requires 5" (127 mm). See the Installation Instructions.
Cycle time is too short	The load may not be contacting the sensor strips on Automatic Cycles.	Level the dryer. See the Installation Instructions. All four dryer feet should be in firm contact with the floor.
	Clothes are coming out of the Steam Refresh cycle with damp or wet spots.	Under certain environmental or installation conditions, you may experience underdrying.
	The automatic cycle is ending early.	Change the dryness level setting on Automatic Cycles. Increasing or decreasing the dryness level will change the amount of drying time in a cycle. If loads are consistently ending too early, see also "Changing the Automatic Cycle settings to increase or decrease drying time."
Lint on load	Lint screen is clogged with lint.	Clean lint screen before each load.
Stains on load	Improper use of fabric softener.	Add dryer fabric softener sheets at the beginning of the cycle. Fabric softener sheets added to a partially dried load can stain your garments. Do not use fabric softener sheets with steam cycles.
Stains on drum	Loose dyes in clothes.	Drum stains are caused by dyes in clothing (usually blue jeans). These will not transfer to other clothing.
Loads are wrinkled	The load was not removed from dryer at the end of the cycle.	Select Steam Refresh cycle to tumble the load with water and heat. This cycle is best for smoothing out wrinkles and reducing odors from dry loads consisting of wrinkle-free cotton, cotton-polyester blends, common knits, and synthetics. NOTE: Refer to garment care label instructions. Dry-clean-only garments are not recommended.
	The dryer was tightly packed.	Dry smaller loads that can tumble freely. Results may also vary depending on fabric type.
	For steam cycles, the water is not properly connected with the dryer.	Make sure water is connected to the dryer. Check that water inlet hose is connected to both the faucet and dryer's water inlet valve. Check that the water supply is turned on.
Odors	Recent painting, staining, or varnishing in the area where your dryer is located.	Ventilate the area. When the odors or fumes are gone from the area, rewash and dry the clothing.

Troubleshooting

First try the solutions suggested here or visit our website at www.whirlpool.com/product_help -
In Canada www.whirlpool.ca for assistance and to possibly avoid a service call.

If you experience	Possible Causes	Solution
Dryer Results (cont.)		
Odors (cont.)	For steam cycles, the water is not properly connected with the dryer.	Make sure water is connected to the dryer. Check that water inlet hose is connected to both the faucet and dryer's water inlet valve. Check that the water supply is turned on.
	Odors are left in garments after wearing.	To remove odors left in garments after wearing, select Steam Refresh. This cycle is best for reducing wrinkles and odors from dry loads consisting of wrinkle-free cotton, cotton-polyester blends, common knits, and synthetics.
Load too hot	Load removed before cooldown portion of cycle complete.	Allow the dryer to complete the cooldown portion of the cycle before removing the load.
	Using Timed Dry cycle with a high temperature setting.	Select an Automatic Cycle with a lower heat setting to avoid overdrying the load.
Dryer Displaying Code Message or Indicator Is Lit		
"PF" (power failure)	The drying cycle has been interrupted by a power failure.	Touch and hold START to restart the dryer cycle or press power to clear the display.
"L2" Diagnostic Code (low or no line voltage condition)	There may be a problem with your home power supply, keeping the dryer's heater from turning on.	The dryer will continue to run when this diagnostic code is present. Touch any pad to clear the code from the display and return to the estimated time remaining. NOTE: This error will only show during the initial installation. Try the following: <ul style="list-style-type: none"> • Check to see if a household fuse has blown or circuit breaker has tripped. Electric dryers use two household fuses or breakers. Replace the fuse or reset the circuit breaker. • Confirm that the power cord is properly installed. Refer to the Installation Instructions for details. • Select a Timed Dry heated cycle, and restart the dryer. If the message persists, consult a qualified electrician.
"F# E#" (F1 E1, F3 E1, etc.) variable service codes.	The dryer is in need of service.	If a code beginning with an "F" appears in the display, alternating between F# and E#, the dryer control has detected a problem that requires service. Call for service.
AF (restricted air flow)	The lint screen or vent is clogged; the vent is crushed, kinked or has too many turns.	The dryer will continue to run when this diagnostic code is present. Touch any key to clear the code from the display and return to the estimated time remaining. Try the following: <ul style="list-style-type: none"> • Clean lint screen. • Check to see if the vent run from the dryer to the wall is crushed or kinked. • Confirm that the vent run from the dryer to the wall is free of lint and debris. • Confirm that the exterior vent exhaust hood is free of lint and debris. • Confirm that your vent system falls within the recommended run length and number of elbows for the type of vent you are using. Refer to "Plan Vent System" in the Installation Instructions for details. Select a Timed Dry heated cycle, and restart the dryer. If the message persists, have your entire home venting run cleaned. Contact a venting specialist.

WHIRLPOOL® LAUNDRY LIMITED WARRANTY

ATTACH YOUR RECEIPT HERE. PROOF OF PURCHASE IS REQUIRED TO OBTAIN WARRANTY SERVICE.

Please have the following information available when you call the Customer eXperience Center:

- Name, address, and telephone number
- Model number and serial number
- A clear, detailed description of the problem
- Proof of purchase including dealer or retailer name and address

IF YOU NEED SERVICE:

1. Before contacting us to arrange service, please determine whether your product requires repair. Some questions can be addressed without service. Please take a few minutes to review the Troubleshooting or Problem Solver section of the Use and Care Guide, scan the QR code on the right to access additional resources, or visit https://www.whirlpool.com/product_help.
2. All warranty service is provided exclusively by our authorized Whirlpool Service Providers. In the U.S. and Canada, direct all requests for warranty service to:



https://www.whirlpool.com/product_help

Whirlpool Customer eXperience Center

In the U.S.A. call 1-800-253-1301. In Canada call 1-800-807-6777.

If outside the 50 United States and Canada, contact your authorized Whirlpool dealer to determine if another warranty applies.

ONE YEAR LIMITED WARRANTY

WHAT IS COVERED

For one year from the date of purchase, when this major appliance is installed, operated, and maintained according to instructions attached to or furnished with the product, Whirlpool Corporation or Whirlpool Canada LP (hereafter "Whirlpool") will pay for Factory Specified Replacement Parts and repair labor to correct defects in materials or workmanship that existed when this major appliance was purchased, or at its sole discretion replace the product. In the event of product replacement, your appliance will be warranted by the remaining term of the original unit's warranty period.

YOUR SOLE AND EXCLUSIVE REMEDY UNDER THIS LIMITED WARRANTY SHALL BE PRODUCT REPAIR AS PROVIDED HEREIN. Service must be provided by a Whirlpool designated service company. This limited warranty is valid only in the United States or Canada and applies only when the major appliance is used in the country in which it was purchased. This limited warranty is effective from the date of original consumer purchase. Proof of original purchase date is required to obtain service under this limited warranty.

WHAT IS NOT COVERED

1. Commercial, non-residential, multiple-family use, or use inconsistent with published user, operator, or installation instructions.
2. In-home instruction on how to use your product.
3. Service to correct improper product maintenance or installation, installation not in accordance with electrical or plumbing codes, or correction of household electrical or plumbing (i.e. house wiring, fuses, or water inlet hoses).
4. Consumable parts (i.e. light bulbs, batteries, air or water filters, etc.).
5. Conversion of your product from natural gas or L.P. gas or reversal of appliance doors.
6. Damage from accident, misuse, abuse, fire, floods, acts of God, or use with products not approved by Whirlpool.
7. Repairs to parts or systems to correct product damage or defects caused by unauthorized service, alteration, or modification of the appliance.
8. Cosmetic damage including scratches, dents, chips, and other damage to appliance finishes unless such damage results from defects in materials and workmanship and is reported to Whirlpool within 30 days.
9. Discoloration, rust, or oxidation of surfaces resulting from caustic or corrosive environments, including but not limited to, high salt concentrations, high moisture or humidity, or exposure to chemicals.
10. Pick-up or delivery. This product is intended for in-home repair.
11. Travel or transportation expenses for service in remote locations where an authorized Whirlpool servicer is not available.
12. Removal or reinstallation of inaccessible appliances or built-in fixtures (i.e. trim, decorative panels, flooring, cabinetry, islands, countertops, drywall, etc.) that interfere with servicing, removal, or replacement of the product.
13. Service or parts for appliances with original model/serial numbers removed, altered, or not easily determined.

The cost of repair or replacement under these excluded circumstances shall be borne by the customer.

DISCLAIMER OF IMPLIED WARRANTIES

IMPLIED WARRANTIES, INCLUDING ANY IMPLIED WARRANTY OF MERCHANTABILITY OR IMPLIED WARRANTY OF FITNESS FOR A PARTICULAR PURPOSE, ARE LIMITED TO ONE YEAR OR THE SHORTEST PERIOD ALLOWED BY LAW. Some states and provinces do not allow limitations on the duration of implied warranties of merchantability or fitness, so this limitation may not apply to you. This warranty gives you specific legal rights, and you also may have other rights that vary from state to state or province to province.

DISCLAIMER OF REPRESENTATIONS OUTSIDE OF WARRANTY

Whirlpool makes no representations about the quality, durability, or need for service or repair of this major appliance other than the representations contained in this Warranty. If you want a longer or more comprehensive warranty than the limited warranty that comes with this major appliance, you should ask Whirlpool or your retailer about buying an extended warranty.

LIMITATION OF REMEDIES; EXCLUSION OF INCIDENTAL AND CONSEQUENTIAL DAMAGES

YOUR SOLE AND EXCLUSIVE REMEDY UNDER THIS LIMITED WARRANTY SHALL BE PRODUCT REPAIR AS PROVIDED HEREIN. WHIRLPOOL SHALL NOT BE LIABLE FOR INCIDENTAL OR CONSEQUENTIAL DAMAGES. Some states and provinces do not allow the exclusion or limitation of incidental or consequential damages, so these limitations and exclusions may not apply to you. This warranty gives you specific legal rights, and you also may have other rights that vary from state to state or province to province.

03/14

Sécurité de la sècheuse

Votre sécurité et celle des autres est très importante.

Nous donnons de nombreux messages de sécurité importants dans ce manuel et sur votre appareil ménager. Assurez-vous de toujours lire tous les messages de sécurité et de vous y conformer.



Voici le symbole d'alerte de sécurité.

Ce symbole d'alerte de sécurité vous signale les dangers potentiels de décès et de blessures graves à vous et à d'autres.

Tous les messages de sécurité suivront le symbole d'alerte de sécurité et le mot "DANGER" ou "AVERTISSEMENT". Ces mots signifient :

 **DANGER**

Risque possible de décès ou de blessure grave si vous ne suivez pas immédiatement les instructions.

 **AVERTISSEMENT**

Risque possible de décès ou de blessure grave si vous ne suivez pas les instructions.

Tous les messages de sécurité vous diront quel est le danger potentiel et vous disent comment réduire le risque de blessure et ce qui peut se produire en cas de non-respect des instructions.



AVERTISSEMENT - "Risque d'incendie"

- L'installation de la sècheuse à linge doit être effectuée par un installateur qualifié.
- Installer la sècheuse conformément aux instructions du fabricant et aux codes locaux.
- Ne pas installer de sècheuse à linge avec des matériaux d'évacuation en plastique souple ou un conduit métallique souple (de type papier d'aluminium). Si un conduit métallique souple est installé, celui-ci doit être d'un type spécifique identifié par le fabricant de l'appareil et convenir à une utilisation avec les sècheuses à linge. Les matériaux d'évacuation souples sont connus pour s'affaisser, être facilement écrasés et bloquer la charpie. Ces situations obstrueront le débit d'air de la sècheuse à linge et augmenteront le risque d'incendie.
- Pour réduire le risque de blessure grave ou de décès, suivre toutes les instructions d'installation.
- Conserver ces instructions.

IMPORTANT : Pour mettre l'ancienne sècheuse au rebut ou pour la remiser, enlever la porte.

AVERTISSEMENT : L'odorat ne permet pas toujours la détection d'une fuite de gaz.

Les distributeurs de gaz recommandent l'emploi d'un détecteur de gaz (homologation UL ou CSA).

Pour d'autre information, contacter le fournisseur de gaz local.

En cas de détection d'une fuite de gaz, exécuter les instructions "Que faire dans le cas d'une odeur de gaz".

IMPORTANTES INSTRUCTIONS DE SÉCURITÉ

AVERTISSEMENT : Pour réduire le risque d'incendie, de choc électrique ou de blessure lors de l'utilisation de la sècheuse, il convient d'observer certaines précautions élémentaires dont les suivantes :

- Lire toutes les instructions avant d'utiliser la sècheuse.
- Ne pas placer des articles exposés aux huiles de cuisson dans votre sècheuse. Les articles contaminés par des huiles de cuisson peuvent contribuer à une réaction chimique qui pourrait causer à la charge de s'enflammer.
- Ne pas faire sécher dans la machine des articles qui ont déjà été nettoyés, lavés, imbibés, ou tachés d'essence, de solvants pour nettoyage à sec, d'autres substances inflammables, ou de substances explosives puisqu'elles dégagent des vapeurs qui peuvent provoquer un incendie ou une explosion.
- Ne pas permettre à des enfants de jouer sur ou à l'intérieur de la sècheuse. Une surveillance étroite est nécessaire lorsque la sècheuse est utilisée près d'eux.
- Avant d'enlever la sècheuse du service ou la jeter, enlever la porte du compartiment de séchage.
- Ne pas mettre la main dans la sècheuse si le tambour est en mouvement.
- Ne pas installer ni entreposer la sècheuse où elle sera exposée aux intempéries.
- Ne pas jouer avec les commandes.
- Ne pas réparer ni remplacer une pièce de la sècheuse ou essayer d'en faire l'entretien à moins d'une recommandation spécifique dans le guide d'utilisation et d'entretien, ou publiée dans les instructions de réparation par l'utilisateur que vous comprenez et pouvez exécuter avec compétence.
- Ne pas utiliser un produit assouplissant de tissu ou des produits pour éliminer la statique à moins qu'ils ne soient recommandés par le fabricant du produit assouplissant de tissu ou du produit.
- Ne pas utiliser la chaleur pour faire sécher des articles fabriqués avec du caoutchouc mousse ou des matériaux semblables.
- Nettoyer le filtre à charpie avant et après chaque charge.
- Ne pas laisser la charpie, la poussière, ou la saleté s'accumuler autour du système d'évacuation ou autour de l'appareil.
- Un nettoyage périodique de l'intérieur de la sècheuse et du conduit d'évacuation doit être effectué par une personne qualifiée.
- Pour les instructions de liaison à la terre, voir "Spécifications électriques" dans les instructions d'installation.

CONSERVEZ CES INSTRUCTIONS

AVERTISSEMENT : Pour votre sécurité, les renseignements dans ce manuel doivent être observés pour réduire au minimum les risques d'incendie ou d'explosion ou pour éviter des dommages au produit, des blessures ou un décès.

- Ne pas entreposer ou utiliser de l'essence ou d'autres vapeurs ou liquides inflammables à proximité de cet appareil ou de tout autre appareil électroménager.
- **QUE FAIRE DANS LE CAS D'UNE ODEUR DE GAZ :**
 - Ne pas tenter d'allumer un appareil.
 - Ne pas toucher à un commutateur électrique; ne pas utiliser le téléphone se trouvant sur les lieux.
 - Évacuer tous les gens de la pièce, de l'édifice ou du quartier.
 - Appeler immédiatement le fournisseur de gaz d'un téléphone voisin. Suivre ses instructions.
 - À défaut de joindre votre fournisseur de gaz, appeler les pompiers.
- L'installation et l'entretien doivent être effectués par un installateur qualifié, une agence de service ou le fournisseur de gaz.

Avertissements de la proposition 65 de l'État de Californie :

AVERTISSEMENT : Ce produit contient au moins un produit chimique connu par l'État de Californie pour être à l'origine de cancers.

AVERTISSEMENT : Ce produit contient au moins un produit chimique connu par l'État de Californie pour être à l'origine de malformations et autres déficiences de naissance.

Vérification d'une circulation d'air adéquate pour le système d'évacuation

⚠ AVERTISSEMENT



Risque d'incendie

- Utiliser un conduit d'évacuation en métal lourd.
- Ne pas utiliser un conduit d'évacuation en plastique.
- Ne pas utiliser un conduit d'évacuation en feuille de métal.
- Le non-respect de ces instructions peut causer un décès ou un incendie.

Circulation d'air adéquate

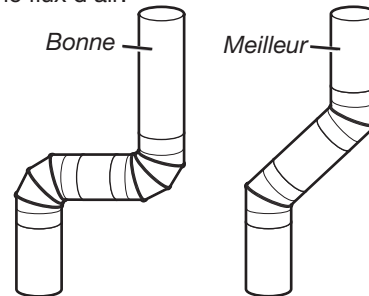
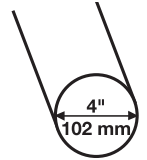
Une sècheuse a besoin de chaleur et d'une circulation d'air adéquate pour sécher efficacement le linge. Une ventilation adéquate réduit les durées de séchage et accroît les économies d'énergie. Voir les Instructions d'installation.

Le système d'évacuation fixé à la sècheuse joue un rôle important dans la circulation de l'air. Des conduits d'évacuation bloqués ou écrasés, ainsi qu'une installation inadéquate de l'évacuation diminuent la circulation d'air et les performances de la sècheuse.

Les interventions de dépannage causées par une ventilation incorrecte ne sont pas couvertes par la garantie et seront à la charge du client, quel que soit l'installateur de la sècheuse. Pour nettoyer ou réparer l'évacuation d'air, contacter un technicien qualifié dans l'évacuation d'air.

Maintenir une bonne circulation d'air en effectuant les opérations suivantes :

- Nettoyer le filtre à charpie avant chaque charge.
- Remplacer le matériau de conduits d'évacuation en plastique ou en aluminium par des conduits d'évacuation lourds et rigides de 4" (102 mm) de diamètre.
- Toujours employer les conduits d'évacuation les plus courts possible.
- Ne pas utiliser plus de quatre coudes à 90° dans un circuit d'évacuation car chaque inclinaison et courbe réduit le flux d'air.



- Retirer la charpie et les résidus du clapet d'évacuation.
- Retirer la charpie sur toute la longueur du circuit d'évacuation au moins tous les 2 ans. Après le nettoyage, veuillez suivre les instructions d'installation fournies avec la sècheuse pour une vérification finale de l'appareil.
- Dégager tout article qui se trouverait devant la sècheuse.

L'option EcoBoost™ (puissance éco)

Appuyer pour activer l'option EcoBoost™ (puissance éco), qui permet d'accroître vos économies d'énergie en utilisant un niveau de chaleur légèrement plus faible. Pour les programmes automatiques, l'option EcoBoost™ (puissance éco) ajoute environ 40 minutes à la durée de séchage, qui est mise à jour sur l'affichage DEL.

L'option EcoBoost™ (puissance éco) est activée par défaut pour le cycle Normal. Pour une consommation d'énergie optimale, activer l'option EcoBoost™ (puissance éco). Pour une durée de séchage optimale, désactiver l'option EcoBoost™ (puissance éco).

What To Dry (articles à sécher) et How To Dry (méthode de séchage)? pour un meilleur soin du tissu et davantage d'économies d'énergie.

En répondant à ces questions, vous parviendrez à réaliser un maximum d'économies d'énergie et à prendre davantage soin des tissus lors de l'utilisation de votre sècheuse. Durant ces programmes automatiques, la température de séchage de l'air et le niveau d'humidité sont détectés dans la charge. Ce processus de détection se produit tout au long du programme de séchage et s'arrête lorsque la charge atteint le degré de séchage sélectionné. Utiliser le niveau de séchage NORMAL pour permettre de réaliser un maximum d'économies d'énergie.

Avec l'option de séchage minuté, la sècheuse fonctionne pendant la durée réglée, ce qui peut parfois entraîner le rétrécissement ou le froissement du linge et l'accumulation d'électricité statique due au séchage excessif. Utiliser le séchage minuté pour une charge encore humide nécessitant un peu de temps supplémentaire ou lors de l'utilisation de la grille de séchage.

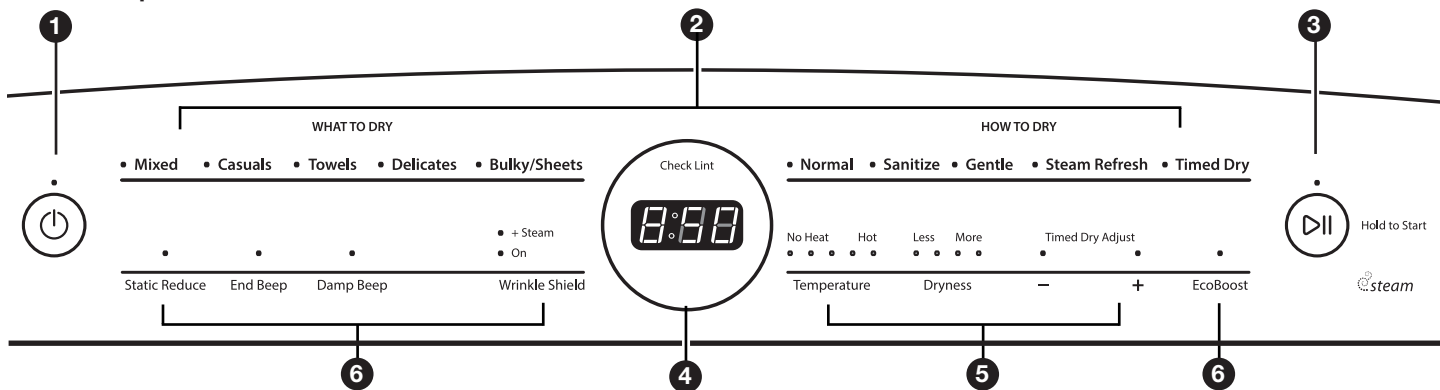
Conseils pour obtenir la meilleure performance de votre sècheuse avec vapeur (sur certains modèles)

- Les résultats peuvent varier selon le tissu. Il est possible que les vêtements 100 % coton avec fini infroissable donnent de meilleurs résultats que les autres. Il est possible que les articles 100 % coton nécessitent un rafraîchissement supplémentaire après le programme à vapeur.
- L'emploi d'une feuille d'assouplissant de tissu n'est pas recommandé avec les programmes à vapeur. Ceci pourrait causer des tâches temporaires sur les vêtements.
- L'utilisation de programmes à vapeur n'est pas recommandée pour des articles amidonnés. Laver les articles amidonnés ou neufs avant d'utiliser un programme avec vapeur.
- Le programme Steam Refresh (rafraîchissement avec vapeur) est idéal pour aplanir les faux-plis et réduire les odeurs des charges composées d'un ou quatre articles en coton infroissable, en mélange de coton et polyester, de tricot ordinaires et de vêtements synthétiques.

Tableau de commande et caractéristiques

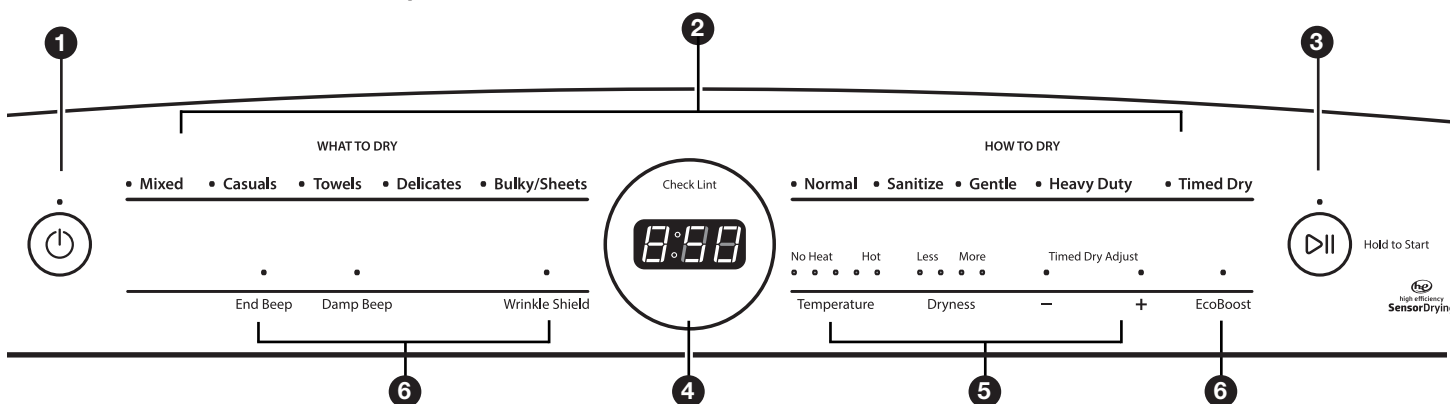
Certains programmes et options ne sont pas disponibles sur certains modèles.

Modèles vapeur



REMARQUE : La surface du tableau de commande est très sensible et il suffit d'un léger toucher pour l'activer. Pour s'assurer que vos sélections ont été enregistrées toucher le tableau de commande du bout du doigt et non avec l'ongle. Pour sélectionner un réglage ou une option, il suffit de toucher le nom qui lui correspond.

Modèles à fonctionnement sans vapeur



1 BOUTON POWER (mise sous tension)

Appuyer sur ce bouton pour mettre la sècheuse en marche. Appuyer sur ce bouton pour arrêter/annuler un programme à tout moment.

2 WHAT TO DRY (articles à sécher)/HOW TO DRY (méthode de séchage)

Choisir d'abord un programme dans "What to Dry" (articles à sécher) (programmes automatiques) puis "How to Dry" (méthode de séchage) pour sélectionner la combinaison de programmes disponible la mieux adaptée au type d'articles à sécher. Voir le "Guide de programmes" pour plus de détails.

3 BOUTON START/PAUSE (mise en marche/pause)

Appuyer sur ce bouton jusqu'à ce que la DEL s'allume pour démarrer un programme ou appuyer une fois dessus pendant qu'un programme est en cours pour le suspendre.

4 AFFICHAGE À DEL

Lorsqu'on sélectionne un programme, ses réglages par défaut s'allument et la durée restante estimée varie en fonction des sélections effectuées dans les options "What to Dry" (articles à sécher) et "How to Dry" (méthode de séchage), ou la durée restante pour les programmes de séchage minuté s'affiche.

5 MODIFICATEURS

Utiliser ces boutons pour sélectionner les modificateurs disponibles sur la sècheuse. Certains programmes et options ne sont pas disponibles sur certains modèles.

Temperature (température)

Lorsque l'on utilise les programmes manuels, il est possible de sélectionner une température de séchage en fonction du type de la charge à sécher. Utiliser le réglage le plus chaud possible qui reste sans danger pour les vêtements contenus dans la charge. Suivre les instructions figurant sur l'étiquette des vêtements.

REMARQUE : Les programmes automatiques donnent le choix entre 3 températures de réglage, et cela varie en fonction des sélections effectuées à "What to Dry" (articles à sécher) ou "How to Dry" (méthode de séchage).

Dryness (niveau de séchage)

Le niveau de séchage peut être ajusté si désiré pour les programmes automatiques (sauf pour le programme Sanitize [assainissement]).

REMARQUE : Le réglage du niveau de séchage est disponible uniquement pour les programmes automatiques.

+/- Timed Dry Adjust (réglage du séchage minuté)

Appuyer sur "+" ou "-" avec les programmes manuels pour augmenter ou diminuer la durée d'un programme de séchage minuté ou de séchage rapide.

6 OPTIONS

Utiliser ces boutons pour sélectionner les options disponibles sur la sècheuse. Certains programmes et options ne sont pas disponibles sur certains modèles.

Static Reduce (réduction de l'électricité statique) (sur certains modèles)

Appuyer sur ce bouton pour ajouter l'option Static Reduce (réduction de l'électricité statique) aux programmes automatiques sélectionnés. La sècheuse effectue automatiquement un culbutage, fait une pause puis introduit une petite quantité d'humidité dans la charge pour aider à réduire le niveau d'électricité statique. Cette option prolonge la durée totale du programme d'environ 8 minutes.

End Beep (signal sonore de fin de programme)

Appuyer sur ce bouton pour régler le signal sonore de fin d'un programme de séchage sur faible, moyen, élevé ou désactivé.

REMARQUE : Il est également possible de désactiver les signaux sonores qui retentissent lorsqu'on appuie sur un bouton de caractéristique, de réglage ou d'option. Appuyer sans relâcher sur End Beep (signal sonore de fin de programme) pour régler les signaux sonores sur faible, moyen, élevé ou désactivé.

Damp Beep (signal sonore d'humidité)

Appuyer pour sélectionner Damp Beep (signal sonore d'humidité). Il est possible de régler le signal sur faible, moyen, élevé ou désactivé. Lorsque cette option est sélectionnée, plusieurs signaux sonores retentissent lorsque la charge est humide mais pas complètement sèche. Ceci vous permet de retirer les vêtements dans la charge qui n'ont pas besoin d'être séchés complètement. Cette option est disponible sur certains programmes. Le signal sonore d'humidité est sélectionné par défaut pour le programme Bulky/ Sheets (articles volumineux/draps) pour rappeler à l'utilisateur de réagencer les charges volumineuses à la main vers la moitié du programme.

Option Wrinkle Shield™ (antifroissement)

Si l'on n'est pas en mesure de retirer la charge immédiatement, appuyer sur Wrinkle Shield™ (antifroissement) pour ajouter jusqu'à 150 minutes de culbutage périodique pour aider à réduire le froissement. On peut sélectionner le réglage "+ Steam" (avec vapeur) (sur certains modèles) pour ajouter un programme court avec vapeur après 60 minutes afin d'aider à défroisser les articles.

REMARQUE : Si vous ouvrez la porte de la sècheuse avant la fin du programme de l'option Wrinkle Shield™, la sècheuse se met alors en mode Pause. Vous devrez appuyer sur la touche Power (mise en tension) pour l'éteindre ou appuyer sur Start/Pause (mise en marche/pause) pour poursuivre le programme de l'option Wrinkle Shield™.

Option EcoBoost™ (puissance éco)

Appuyer pour activer l'option EcoBoost™ (puissance éco), qui permet d'accroître vos économies d'énergie en utilisant un niveau de chaleur légèrement plus faible. Ceci augmente la durée de séchage. L'option EcoBoost™ (puissance éco) est activée par défaut pour le programme Mixed Normal (mélangé normal). Peut être sélectionnée avec : Mixed Gentle (mélangé en douceur), Casual Normal (tout-aller normal), Casual Gentle (tout-aller en douceur), Delicate Normal (délicat normal) et Delicate Gentle (délicat en douceur). Cette option n'est pas disponible pour les autres programmes.

Steam Refresh (rafraîchissement avec vapeur) (modèles à vapeur uniquement)

Ce programme est idéal pour réduire les faux plis et désodoriser les vêtements secs. La durée du programme augmentera en fonction du nombre de vêtements.

Guide de programmes - Modèles vapeur

La sècheuse Cabrio® de Whirlpool® possède une interface utilisateur unique pour vous aider à sélectionner le programme le mieux adapté à votre charge. Les configurations “What to Dry” (articles à sécher) et “How to Dry” (méthode de séchage) vous indiquent le programme idéal en deux étapes faciles :

Commencer par déterminer quels sont les articles de la charge dont le séchage est souhaité. Sélectionner ainsi les articles adéquats dans la partie “What to Dry” (articles à sécher). Ensuite, déterminer la manière dont l’on souhaite sécher ces articles et sélectionner la méthode appropriée dans la partie “How to Dry” (méthode de séchage).

Pour réaliser un maximum d’économie d’énergie et prendre davantage soin des tissus, utiliser les programmes automatiques. Ces programmes mesurent la température de l’air au cours du séchage ainsi que le degré d’humidité pour éteindre la sècheuse lorsque la charge atteint le niveau de séchage sélectionné. La performance et les résultats de la sècheuse peuvent varier si la tension nominale est inférieure à 240 V.

Pour un meilleur soin des tissus, choisir le programme qui convient le mieux à la charge à sécher.

R - Programme recommandé

a - Programme alternatif

Case vide – Programme disponible mais pas optimal

Quelle méthode de séchage souhaite-t-on utiliser?				
Sélection du programme “How to Dry” (méthode de séchage)				
Normal	Sanitize* (assainissement)	Gentle (délicat)	Steam Refresh (rafraîchissement vapeur)	Timed Dry (séchage minuté)
<i>Ordinaire</i> Le programme de détection automatique s'arrête lorsque le niveau de séchage est atteint.	<i>Chaleur élevée.</i> Utilisé pour éliminer 99,9% de 3 des bactéries les plus courantes.	<i>Chaleur moins élevée.</i> Le programme de détection automatique s'arrête lorsque le niveau de séchage est atteint.	<i>Programme avec vapeur pour enlever les faux plis et les odeurs.</i>	<i>Durée de séchage réglée</i> La sècheuse fonctionne pendant la durée réglée.

Quels articles souhaite-t-on sécher?	Sélection du programme “What to Dry” (articles à sécher)	Normal	Sanitize* (assainissement)	Gentle (délicat)	Steam Refresh (rafraîchissement vapeur)	Timed Dry (séchage minuté)
Vêtement pour bébé	Mixed (mélangés)	R				
Mouchoirs		a	R			
Pyjamas		R				
Hauts de survêtements		R				
T-Shirts		R				
Tenues de bureau décontractées	Casuals (tout-aller)	R				
Rideaux en coton		R				
Chemises et pantalons habillés		R				
Rideaux lavables en machine		R				
Serviettes de table		R				
Tissus non repassables		R				
Nappe		R				
Torchons de vaisselle	Towels (serviettes)	R	a			
Jeans		a		R		
Tapis et paillasons sans garniture de caoutchouc				R		
Serviettes		R				
Vêtements de sport intensif	Delicates (articles délicats)	R				
Soutiens-gorge		a		R		
Rideau de douche en tissu				R		
Lingerie		a		R		
Transparents				R		
Sous-vêtements		a		R		
Lainages				R		

Pour un meilleur soin des tissus, choisir le programme qui convient le mieux à la charge à sécher.

R - Programme recommandé

a - Programme alternatif

Case vide – Programme disponible mais pas optimal

Quelle méthode de séchage souhaite-t-on utiliser?					
Sélection du programme "How to Dry" (méthode de séchage)					
Normal	Sanitize* (assainissement)	Gentle (délicat)	Steam Refresh (rafraîchissement vapeur)	Timed Dry (séchage minuté)	
<i>Ordinaire</i> Le programme de détection automatique s'arrête lorsque le niveau de séchage est atteint.	<i>Chaleur élevée.</i> Utilisé pour éliminer 99,9% de 3 des bactéries les plus courantes.	<i>Chaleur moins élevée.</i> Le programme de détection automatique s'arrête lorsque le niveau de séchage est atteint.	<i>Programme avec vapeur pour enlever les faux plis et les odeurs.</i>	<i>Durée de séchage réglée</i> La sècheuse fonctionne pendant la durée réglée.	
Quels articles souhaite-t-on sécher?	Sélection du programme "What to Dry" (articles à sécher)				
Couvertures	Bulky/Sheets (articles volumineux/ draps)	R			
Manteaux et vestes		R			
Couettes		R			
Tapis en tissu		R			
Oreillers en fibres (pas en plumes ou décoratifs)		R			
Rideaux lourds		R			
Literie pour animaux de compagnie		R			
Draps		R			
Sacs de couchage		R			
Peluches		R			
Oreillers en plumes	Air Only (air seulement)				R
Rideaux de douche en plastique					R
Caoutchouc, tapis et paillasons à endos de caoutchouc					R
Nappes en vinyle					R

*Programme de séchage à chaleur élevée prolongé conçu pour aider à assainir les articles tels que les draps et les serviettes. Ce programme n'est pas recommandé pour tous les tissus. Pour de meilleurs résultats, ce programme doit fonctionner jusqu'à la fin pour assurer l'assainissement et ne doit pas être interrompu.

Guide de programmes - Modèles à fonctionnement sans vapeur

La sècheuse Cabrio® de Whirlpool® possède une interface utilisateur unique pour vous aider à sélectionner le programme le mieux adapté à votre charge. Les configurations “What to Dry” (articles à sécher) et “How to Dry” (méthode de séchage) vous indiquent le programme idéal en deux étapes faciles :

Commencer par déterminer quels sont les articles de la charge dont le séchage est souhaité. Sélectionner ainsi les articles adéquats dans la partie “What to Dry” (articles à sécher). Ensuite, déterminer la manière dont l’on souhaite sécher ces articles et sélectionner la méthode appropriée dans la partie “How to Dry” (méthode de séchage).

Pour réaliser un maximum d’économie d’énergie et prendre davantage soin des tissus, utiliser les programmes automatiques. Ces programmes mesurent la température de l’air au cours du séchage ainsi que le degré d’humidité pour éteindre la sècheuse lorsque la charge atteint le niveau de séchage sélectionné. La performance et les résultats de la sècheuse peuvent varier si la tension nominale est inférieure à 240 V.

Pour un meilleur soin des tissus, choisir le programme qui convient le mieux à la charge à sécher.

R - Programme recommandé

a - Programme alternatif

Case vide – Programme disponible mais pas optimal

Quelle méthode de séchage souhaite-t-on utiliser?				
Sélection du programme “How to Dry” (méthode de séchage)				
Normal	Sanitize* (assainissement)	Gentle (délicat)	Heavy Duty (service intense)	Timed Dry (séchage minuté)
<i>Ordinaire Le programme de détection automatique s'arrête lorsque le niveau de séchage est atteint.</i>	<i>Chaleur élevée. Utilisé pour éliminer 99,9% de 3 des bactéries les plus courantes</i>	<i>Chaleur moins élevée. Le programme de détection automatique s'arrête lorsque le niveau de séchage est atteint.</i>	<i>Programme à chaleur élevée prolongée. Le programme de détection automatique s'arrête lorsque le niveau de séchage est atteint.</i>	<i>Durée de séchage réglée La sècheuse fonctionne pendant la durée réglée.</i>

Quels articles souhaite-t-on sécher?	Sélection du programme “What to Dry” (articles à sécher)					
Vêtements pour bébé	Mixed (mélangés)	R				
Mouchoirs		a	R		a	
Pyjamas		R				
Serviettes-Normal		R				
T-Shirts		R				
Tenues de bureau décontractées	Casuals (tout-aller)	R				
Rideaux en coton		R				
Chemises et pantalons habillés		R				
Rideaux lavables en machine		R				
Serviettes de table		R				
Tissus non repassables		R				
Nappe		R				
Torchons de vaisselle	Towels (serviettes)	a	a		R	
Jeans		R				
Tapis et paillasons sans garniture de caoutchouc				R		
Hauts de survêtements		R				
Serviettes		a			R	

Pour un meilleur soin des tissus, choisir le programme qui convient le mieux à la charge à sécher.

R - Programme recommandé

a - Programme alternatif

Case vide – Programme disponible mais pas optimal

Quelle méthode de séchage souhaite-t-on utiliser?				
Sélection du programme "How to Dry" (méthode de séchage)				
Normal	Sanitize* (assainissement)	Gentle (délicat)	Heavy Duty (service intense)	Timed Dry (séchage minuté)
<i>Ordinaire Le programme de détection automatique s'arrête lorsque le niveau de séchage est atteint.</i>	<i>Chaleur élevée. Utilisé pour éliminer 99,9% de 3 des bactéries les plus courantes</i>	<i>Chaleur moins élevée. Le programme de détection automatique s'arrête lorsque le niveau de séchage est atteint.</i>	<i>Programme à chaleur élevée prolongée. Le programme de détection automatique s'arrête lorsque le niveau de séchage est atteint.</i>	<i>Durée de séchage réglée La sècheuse fonctionne pendant la durée réglée.</i>

Quels articles souhaite-t-on sécher?	Sélection du programme "What to Dry" (articles à sécher)					
Vêtements de sport intensif	Delicates (articles délicats)	R				
Soutiens-gorge				R		
Rideau de douche en tissu				R		
Lingerie				R		
Transparents				R		
Sous-vêtements		a		R		
Lainages				R		
Couvertures	Bulky/Sheets (articles volumineux/ draps)				R	
Manteaux et vestes					R	
Couettes					R	
Tapis en tissu		R				
Rideaux lourds		R				
Literie pour animaux de compagnie		R				
Oreillers en fibres					R	
Draps		R				
Sacs de couchage		R				
Peluches		R				
Oreillers en plumes	Air Only (air seulement)					R
Rideaux de douche en plastique						R
Caoutchouc, tapis et paillasons à endos de caoutchouc						R
Nappes en vinyle						R

*Programme de séchage à chaleur élevée prolongé conçu pour aider à assainir les articles tels que les draps et les serviettes. Ce programme n'est pas recommandé pour tous les tissus. Pour de meilleurs résultats, ce programme doit fonctionner jusqu'à la fin pour assurer l'assainissement et ne doit pas être interrompu.

Utilisation de la sècheuse

⚠ AVERTISSEMENT



Risque d'explosion

Garder les matières et les vapeurs inflammables, telle que l'essence, loin de la sècheuse.

Ne pas faire sécher un article qui a déjà été touché par un produit inflammable (même après un lavage).

Le non-respect de ces instructions peut causer un décès, une explosion ou un incendie.

⚠ AVERTISSEMENT



Risque d'incendie

Aucune laveuse ne peut complètement enlever l'huile.

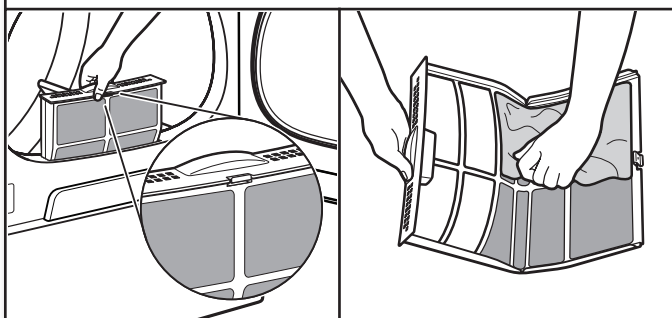
Ne pas faire sécher des articles qui ont été salis par tout genre d'huile (y compris les huiles de cuisson).

Les articles contenant mousse, caoutchouc ou plastique doivent être séchés sur une corde à linge ou par le programme de séchage à l'air.

Le non-respect de ces instructions peut causer un décès ou un incendie.

AVERTISSEMENT : Pour réduire le risque d'incendie, de choc électrique ou de blessures corporelles, lire les INSTRUCTIONS IMPORTANTES DE SÉCURITÉ avant de faire fonctionner cet appareil.

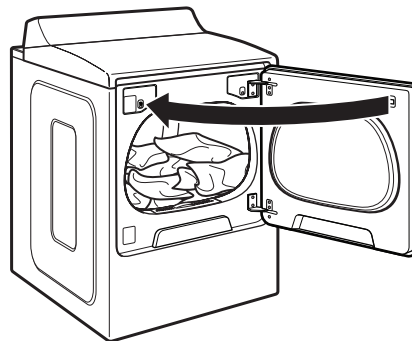
1. Nettoyer le filtre à charpie



Nettoyer le filtre à charpie avant chaque charge. Enlever le filtre à charpie en le tirant tout droit vers le haut et pousser la patte avant vers le bas pour l'ouvrir. Enlever la charpie du filtre en la roulant avec les doigts. Ne pas rincer ni laver le filtre pour enlever la charpie. Il est difficile de retirer la charpie humide. Refermer le filtre à charpie et le remettre fermement en place.

Pour plus d'informations sur le nettoyage, voir "Entretien de la sècheuse".

2. Charger la sècheuse



Ouvrir la porte en tirant sur la poignée. Placer le linge dans la sècheuse. Ajouter de l'assouplissant textile en feuilles pour sècheuse à la charge mouillée, si désiré. Fermer la porte.

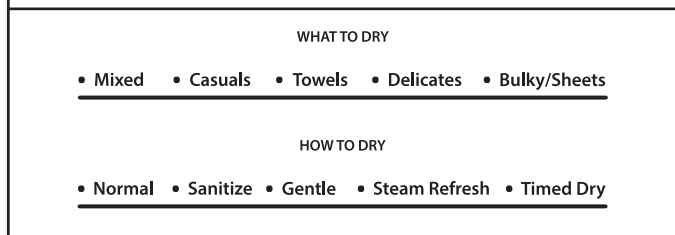
REMARQUE : Ne pas surcharger la sècheuse; les vêtements doivent pouvoir culbutter librement. La surcharge de la sècheuse peut causer un rendement inférieur et peut augmenter le froissement et l'emmêlement.

3. Appuyer sur mise sous tension (POWER)



Appuyer sur le bouton POWER (mise sous tension) pour mettre la sècheuse en marche.

4. Sélectionner le type de charge à sécher



Choisir d'abord un programme dans "What to Dry" (articles à sécher) (programmes automatiques) puis "How to Dry" (méthode de séchage) pour sélectionner la combinaison de programmes disponible la mieux adaptée au type d'articles à sécher. Voir le "Guide de programmes" pour plus d'informations sur chaque programme. Certains programmes ne sont pas disponibles sur certains modèles.

Programmes automatiques :

Selon la charge, un degré de séchage différent peut être sélectionné. Appuyer sur DRYNESS (niveau de séchage) pour sélectionner un niveau allant de Less (moins) à More (plus). La sélection de Less (moins) à More (plus) ajuste automatiquement le degré de séchage qui commande l'arrêt de la sècheuse. Il est possible de modifier le niveau de séchage durant les 5 à 8 premières minutes du programme.

Les programmes automatiques offrent un séchage idéal en un temps record. La durée de séchage varie en fonction du type de tissu, de la taille de la charge et du réglage de niveau de séchage.

REMARQUE : Les programmes automatiques donnent le choix entre 3 températures de réglage, et cela varie en fonction des sélections effectuées à "What to Dry" (articles à sécher) ou "How to Dry" (méthode de séchage).

Programme TIMED DRY (séchage minuté) :

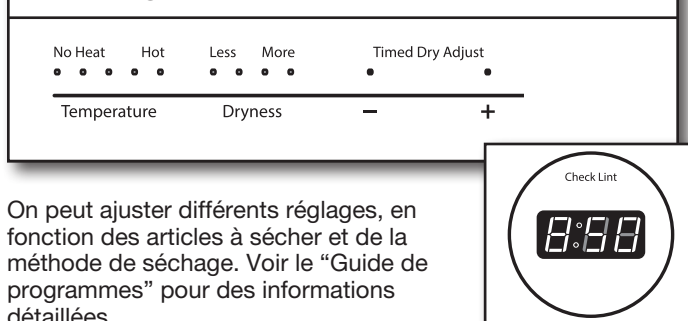
Lorsqu'on sélectionne Timed Dry (séchage minuté), la durée par défaut apparaît sur l'affichage. Appuyer sur les boutons + ou - pour augmenter ou diminuer la durée par tranches d'une minute. Appuyer sans relâcher pour modifier la durée par tranches de 5 minutes.

La température par défaut peut être modifiée en appuyant sur Temperature (température) jusqu'à ce que la température de séchage souhaitée s'allume.

Programmes Steam Refresh (rafraîchissement vapeur) (sur certains modèles) :

Sélectionner Steam Refresh (rafraîchissement avec vapeur) pour réduire les petits faux plis et la formation d'odeurs dans les charges sèches composées d'articles en coton infroissable, en mélange de coton et polyester, de tricots ordinaires et de vêtements synthétiques. Si l'on n'est pas en mesure de retirer la charge immédiatement, appuyer sur Wrinkle Shield™ (antifroissement) pour ajouter jusqu'à 150 minutes de culbutage périodique. On peut sélectionner le réglage "+ Steam" (avec vapeur) pour ajouter un programme court avec vapeur après 60 minutes afin d'aider à défroisser les vêtements.

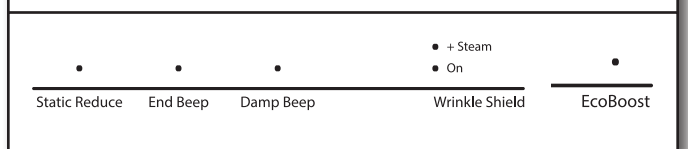
5. Ajuster les modificateurs de programme si désiré



On peut ajuster différents réglages, en fonction des articles à sécher et de la méthode de séchage. Voir le "Guide de programmes" pour des informations détaillées.

REMARQUE : Toutes les options et tous les modificateurs ne sont pas disponibles avec tous les programmes. Certains programmes ne sont pas disponibles sur certains modèles.

6. Sélectionner toute option supplémentaire



Pour ajouter des options supplémentaires telles que Static Reduce (réduction de l'électricité statique), Wrinkle Shield (antifroissement) et/ou EcoBoost™ (puissance éco) (sur certains modèles), appuyer sur le bouton correspondant à l'option souhaitée. Si l'on n'est pas en mesure de retirer rapidement la charge, sélectionner Wrinkle Shield (antifroissement) avant d'appuyer sur START/PAUSE (mise en marche/pause). On peut sélectionner le réglage "+ Steam" (avec vapeur) pour ajouter un programme court avec vapeur après 60 minutes afin d'aider à défroisser les vêtements.

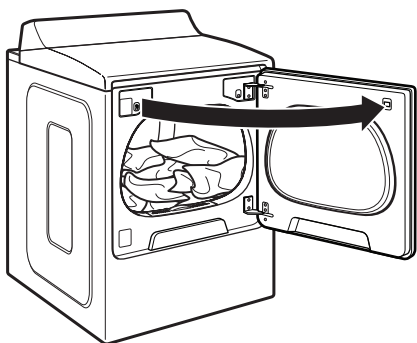
REMARQUE : Tous les réglages et options ne sont pas disponibles avec tous les programmes.

7. Appuyer sans relâcher sur START/PAUSE (mise en marche/pause) pour démarrer le programme



Appuyer sans relâcher sur le bouton START/PAUSE (mise en marche/pause) pour démarrer le programme.

8. Retirer rapidement les vêtements une fois le programme terminé



Retirer rapidement les vêtements une fois le programme terminé pour réduire le froissement.

Modification des réglages de programme automatique pour augmenter ou diminuer la durée de séchage

Si les charges des programmes de séchage automatiques sont systématiquement moins sèches ou plus sèches que désiré, il est possible de modifier les réglages par défaut pour augmenter ou diminuer le niveau de séchage de défaut.

Les réglages de séchage automatique peuvent être modifiés pour s'adapter à différentes installations et conditions d'installation ou à vos préférences personnelles. Cette modification est sauvegardée et affectera tous vos programmes automatiques, pas seulement le programme / la charge actuel(le). Il existe 5 réglages de séchage, affichés selon l'afficheur de durée :

- 0 Vêtements beaucoup plus mouillés, 30 % de temps de séchage en moins.
- 1 Vêtements légèrement plus mouillés, 15 % de temps de séchage en moins.
- 2 Niveau de séchage pré-réglé à l'usine.
- 3 Vêtements légèrement plus secs, 15 % de temps de séchage supplémentaire.
- 4 Vêtements beaucoup plus secs, 30 % de temps de séchage supplémentaire.

Pour changer les réglages de séchage :

REMARQUE : Les réglages de degré de séchage ne peuvent pas être modifiés pendant que la sécheuse est en marche ou en pause. Il faut mettre la sécheuse en mode d'attente (le bouton de mise sous tension est désactivé) pour ajuster les réglages par défaut.

1. Avant de démarrer un programme, appuyer sans relâcher sur le bouton DRYNESS LEVEL (niveau de séchage) pendant 6 secondes.
2. Appuyer sur le bouton DRYNESS LEVEL (niveau de séchage) pour sélectionner le niveau de séchage indiqué sur l'affichage de l'heure : 0, 1, 2, 3, ou 4.
3. Appuyer sur START/PAUSE (mise en marche/pause) pour enregistrer le nouveau réglage de niveau de séchage.

Caractéristiques Supplémentaires

UTILISATION DE LA GRILLE DE SÉCHAGE

Pour obtenir une grille de séchage pour votre sécheuse, commandez en appelant **1-877-944-7566**. Vous aurez besoin de votre numéro de modèle et de série et la date d'achat. Enlever et jeter les matériaux d'emballage avant utilisation.

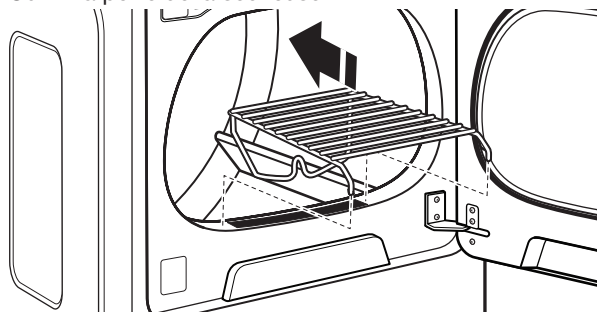
Utiliser la grille de séchage pour les articles que l'on ne souhaite pas faire sécher par culbutage tels que les chandails et les chaussures de tennis. Lorsqu'on utilise la grille de séchage, le tambour continue de tourner mais la grille reste stationnaire.

L'utilisation de la grille de séchage est recommandée uniquement avec les programmes Manual Dry/ Timed Dry (séchage manuel/séchage minuté). La grille de séchage ne peut pas être utilisée avec les programmes automatiques.

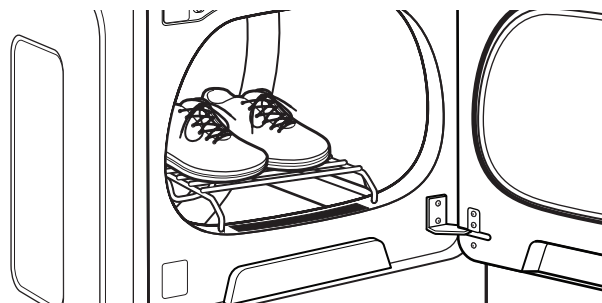
Utilisation de la grille de séchage :

IMPORTANT : Ne pas retirer le filtre à charpie.

1. Ouvrir la porte de la sécheuse.



2. Aligner les deux crochets situés à l'avant de la grille de séchage avec les trous situés dans l'ouverture de la porte de la sécheuse et les insérer complètement dans les trous en appuyant. Placer le support arrière sur le rebord arrière de la sécheuse.



3. Placer les articles mouillés sur la grille de séchage. Laisser suffisamment d'espace entre les articles pour permettre à l'air de circuler. Le tambour tourne, mais la grille ne bouge pas; veiller à laisser suffisamment d'espace entre les articles et à l'intérieur du tambour de la sécheuse. Veiller à ce que les articles ne pendent pas par-dessus les bords de la grille de séchage ou entre les barreaux de la grille.
4. Fermer la porte.
5. Sélectionner un programme Timed Dry/Air Only (séchage minuté/air seulement), ou Low Temperature (faible température). Les articles contenant de la mousse, du caoutchouc ou du plastique doivent être séchés sur une corde à linge ou au moyen du réglage Air Only (air seulement).
6. Une fois le programme sélectionné, l'afficheur de la durée résiduelle estimée indique la durée par défaut. Il est possible de modifier la durée réelle du programme en augmentant ou en diminuant la durée du programme.
7. Mettre la sécheuse en marche.

REMARQUE : Une fois le programme terminé, examiner le filtre à charpie et retirer toute charpie accumulée sur les articles séchés sur la grille de séchage.

Entretien de la sècheuse

NETTOYER L'EMPLACEMENT DE LA SÈCHEUSE

Éviter de laisser autour de la sècheuse des éléments qui pourraient obstruer la circulation de l'air et empêcher le bon fonctionnement de la sècheuse. Ceci implique de dégager également les éventuelles piles de linge placées devant la sècheuse.

⚠ AVERTISSEMENT



Risque d'explosion

Garder les matières et les vapeurs inflammables, telle que l'essence, loin de la sècheuse.

Placer la sècheuse au moins 460 mm (18 po) au-dessus du plancher pour une installation dans un garage.

Le non-respect de ces instructions peut causer un décès, une explosion ou un incendie.

NETTOYAGE DE L'INTÉRIEUR DE LA SÈCHEUSE

Nettoyage du tambour de la sècheuse

1. Utiliser un détergent à vaisselle doux mélangé à une faible concentration d'eau très chaude et frotter avec un chiffon doux.
2. Essuyer complètement le tambour avec un linge humide.
3. Faire culbuter une charge de linge ou de serviettes propres pour sécher le tambour.

OU

Utiliser un chiffon en microfibre et de l'eau chaude dans un flacon de vaporisation pour nettoyer le tambour et une deuxième serviette en microfibre pour le séchage.

REMARQUE : Les vêtements contenant des teintures instables, tels que jeans en denim ou articles en coton de couleur vive, peuvent décolorer l'intérieur de la sècheuse. Ces taches ne sont pas nocives pour votre sècheuse et ne tacheront pas les vêtements des charges futures. Sécher ces articles sur l'envers pour éviter de tacher le tambour.

RETIRER LA CHARPIE ACCUMULÉE

De l'intérieur de la caisse de la sècheuse

Retirer la charpie tous les 2 ans, ou plus souvent, selon l'utilisation de la sècheuse. Le nettoyage doit être effectué par un personnel d'entretien qualifié ou un nettoyeur de systèmes de ventilation.

Dans le conduit d'évacuation

Retirer la charpie tous les 2 ans, ou plus souvent, selon l'utilisation de la sècheuse.

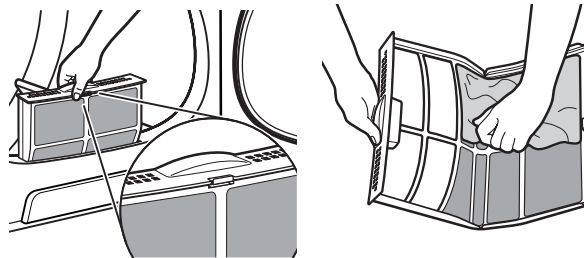
NETTOYER LE FILTRE À CHARPIE

Nettoyage avant chaque charge

Le filtre à charpie se trouve dans l'ouverture de la porte de la sècheuse. Le tableau de commande comporte un témoin lumineux "Check lint" ("vérifier charpie") pour rappeler à l'utilisateur de nettoyer le filtre à charpie après chaque charge. Un filtre obstrué de charpie peut augmenter la durée de séchage.

Nettoyage :

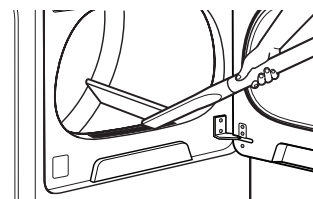
1. Enlever le filtre à charpie en le tirant tout droit vers le haut et pousser la patte avant vers le bas pour l'ouvrir. Enlever la charpie du filtre en la roulant avec les doigts. Ne pas rincer ni laver le filtre pour enlever la charpie. La charpie mouillée s'enlève difficilement.



2. Refermer le filtre à charpie et le remettre fermement en place.

IMPORTANT :

- Ne pas faire fonctionner la sècheuse avec un filtre à charpie déplacé, endommagé, bloqué ou manquant. Ceci peut entraîner une surchauffe et endommager la sècheuse et les tissus.
- Si de la charpie tombe dans la sècheuse au moment du retrait du filtre, vérifier le conduit d'évacuation et retirer la charpie. Voir "Exigences concernant l'évacuation" dans les Instructions d'installation.
- Nettoyer l'emplacement où loge le filtre à charpie lorsque cela est nécessaire. Avec un aspirateur, retirer délicatement toute charpie accumulée à l'extérieur du filtre à charpie.



Nettoyage au besoin

Des résidus de détergent ou d'assouplissant de tissu peuvent s'accumuler sur le filtre à charpie. Cette accumulation peut entraîner des temps de séchage plus longs, ou entraîner l'arrêt de la sècheuse avant que la charge ne soit complètement sèche. Si de la charpie tombe du filtre alors qu'il est dans la sècheuse, il est probablement obstrué.

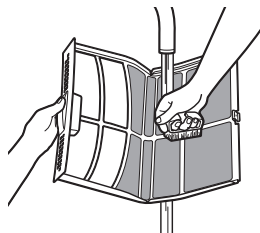
Nettoyer le filtre à charpie avec une brosse de nylon tous les six mois ou plus fréquemment s'il se bouche en raison d'une accumulation de résidus.

Lavage

1. Enlever la charpie du filtre en la roulant avec les doigts.
2. Mouiller les deux côtés du filtre à charpie avec de l'eau chaude.

NETTOYER LE FILTRE À CHARPIE (suite)

3. Mouiller une brosse en nylon avec de l'eau chaude et du détergent liquide. Frotter le filtre avec la brosse pour enlever l'accumulation de résidus.



4. Rincer le filtre à l'eau chaude
5. Bien sécher le filtre à charpie avec une serviette propre. Réinstaller le filtre dans la sècheuse.

PRÉCAUTIONS À PRENDRE EN CAS DE NON-UTILISATION, D'ENTREPOSAGE OU DE DÉMÉNAGEMENT

Modèles avec vapeur uniquement : Installer et remettre la sècheuse à l'abri du gel. Il est possible que de l'eau stagne dans les tuyaux; ceci pourrait endommager la sècheuse en période de gel. Si la sècheuse doit faire l'objet d'un déménagement ou de remisage au cours d'une période de gel, hivériser la sècheuse.

Entretien en cas de non-utilisation ou d'entreposage

On ne doit faire fonctionner la sècheuse que lorsqu'on est présent. Si l'utilisateur doit partir en vacances ou n'utilise pas la sècheuse pendant une période prolongée, il convient d'exécuter les opérations suivantes :

1. Débrancher la sècheuse ou déconnecter la source de courant électrique.
2. Nettoyer le filtre à charpie. Voir "Nettoyage du filtre à charpie".
3. Fermer l'alimentation en eau de la sècheuse. Ceci permet d'éviter les inondations accidentelles (dues à une augmentation de la pression hydraulique) lorsque vous êtes absent.

Précautions à prendre avant un déménagement

Sécheuses alimentées par cordon d'alimentation :

1. Débrancher le cordon d'alimentation électrique.
2. Modèles à gaz uniquement : Fermer le robinet d'arrêt de la canalisation de gaz.
3. Modèles à gaz uniquement : Débrancher le tuyau de la canalisation de gaz et retirer les raccords fixés sur le tuyau de la sècheuse.
4. Modèles à gaz uniquement : Recouvrir la canalisation de gaz ouverte.
5. Modèles vapeur uniquement : Fermer le robinet d'eau.
6. Déconnecter le tuyau d'arrivée d'eau du robinet, puis vidanger le tuyau. Transporter le tuyau séparément.
7. S'assurer que les pieds de nivellement sont solidement fixés à la base de la sècheuse.
8. Utiliser du ruban adhésif pour fixer la porte de la sècheuse.

⚠ AVERTISSEMENT



Risque de choc électrique

Déconnecter la source de courant électrique avant l'entretien.

Remplacer pièces et panneaux avant de faire la remise en marche.

Le non-respect de ces instructions peut causer un décès ou un choc électrique.

Sécheuses avec raccordement direct :

1. Déconnecter la source de courant électrique.
2. Déconnecter le câblage.
3. Modèles vapeur uniquement : Fermer le robinet d'eau.
4. Modèles vapeur uniquement : Déconnecter le tuyau d'arrivée d'eau du robinet, puis vidanger le tuyau. Transporter le tuyau séparément.
5. S'assurer que les pieds de nivellement sont solidement fixés à la base de la sècheuse.
6. Utiliser du ruban adhésif pour fixer la porte de la sècheuse.

Réinstallation de la sècheuse

Suivre les Instructions d'installation pour choisir l'emplacement, régler l'aplomb de la sècheuse et la raccorder.

INSTRUCTIONS SPÉCIFIQUES POUR LES MODÈLES VAPEUR

Tuyau d'arrivée d'eau

Remplacer le tuyau d'arrivée d'eau et la crépine de tuyau après 5 ans d'utilisation afin de réduire le risque de défaillance du tuyau. Inspecter périodiquement le tuyau et le remplacer en cas de renflement, de déformation, de coupure et d'usure ou si une fuite se manifeste.

Lors du remplacement du tuyau d'arrivée d'eau, inscrire la date du remplacement.

Hivérization de la sècheuse

1. Débrancher la sècheuse ou déconnecter la source de courant électrique.
2. Fermer le robinet d'eau.
3. Déconnecter les tuyaux d'arrivée d'eau des robinets et les vider.

Réutilisation de la sècheuse

1. Vidanger les canalisations d'eau. Reconnecter le tuyau d'arrivée d'eau au robinet. Ouvrir le robinet d'eau.
2. Brancher la sècheuse ou reconnecter la source de courant électrique tel que décrit dans les instructions d'installation.

Dépannage

Essayer d'abord les solutions suggérées ici ou consulter le site Web www.whirlpool.com/product_help –
Au Canada www.whirlpool.ca pour obtenir de l'aide et pour éviter une intervention de réparation.

Si les phénomènes suivants se produisent	Causes possibles	Solution
Fonctionnement de la sècheuse		
La sècheuse ne fonctionne pas	La porte n'est pas bien fermée.	S'assurer que la porte de la sècheuse est complètement fermée.
	Le bouton START/PAUSE (mise en marche/pause) a été touché avec l'ongle.	Appuyer sur le bouton START/PAUSE (mise en marche/pause) du bout du doigt.
	Un fusible du domicile est grillé ou le disjoncteur est ouvert.	Il peut y avoir 2 fusibles ou disjoncteurs pour la sècheuse. Vérifier que les deux fusibles sont intacts et bien en place ou que les deux disjoncteurs ne se sont pas déclenchés. Remplacer les fusibles ou réarmer le disjoncteur. Si le problème persiste, appeler un électricien.
	Alimentation électrique incorrecte.	Les sècheuses électriques nécessitent une alimentation électrique de 240 V. Vérifier avec un électricien qualifié.
	Type de fusible incorrect.	Utiliser un fusible temporisé.
La sècheuse ne s'éteint pas	La porte de la sècheuse a été ouverte avant la fin du programme de l'option Wrinkle Shield™.	Si vous ouvrez la porte de la sècheuse avant la fin du programme de l'option Wrinkle Shield™, la sècheuse se met alors en mode Pause. Vous devrez appuyer sur la touche Power (mise en tension) pour l'éteindre ou appuyer sur Start/Pause (mise en marche/pause) pour poursuivre le programme de l'option Wrinkle Shield™.
La sècheuse ne produit pas de chaleur	Un fusible du domicile est grillé ou le disjoncteur est ouvert.	Le tambour peut tourner, mais sans chaleur. Les sècheuses électriques utilisent 2 fusibles ou disjoncteurs. Remplacer les fusibles ou réarmer le disjoncteur. Si le problème persiste, appeler un électricien.
	Alimentation électrique incorrecte.	Les sècheuses électriques nécessitent une alimentation électrique de 240 V. Vérifier avec un électricien qualifié.
	Robinet de la canalisation de gaz non ouvert.	Pour les sècheuses à gaz, s'assurer que le robinet de la canalisation d'alimentation en gaz est ouvert.
Sons inhabituels		
Bruit de bourdonnement ou de sorte de plainte lorsque l'on sélectionne un programme Steam (vapeur)	La pompe à eau de la sècheuse fonctionne.	La pompe à eau de la sècheuse est sollicitée pour la fonction Steam (vapeur). Si l'on vient d'installer la sècheuse ou que celle-ci n'a pas été utilisée pendant une période prolongée, la pompe peut faire plus de bruit ou fonctionner pendant plus longtemps. Ceci est normal.
Bruit saccadé	La sècheuse n'a pas été utilisée pendant un moment.	Ceci est normal. Le bruit saccadé devrait s'atténuer après quelques minutes d'utilisation.
Bruit de grattement ou de vibration	Un petit objet est coincé dans le bord du tambour de la sècheuse.	Vérifier les bords avant et arrière du tambour pour voir si de petits objets y sont coincés. Vider les poches avant le lavage.
	L'aplomb de la sècheuse n'a pas été correctement établi.	La sècheuse peut vibrer si elle n'est pas correctement installée. Voir les Instructions d'installation. Les quatre pieds de nivellement de la sècheuse doivent être bien en contact avec le plancher.
	Les vêtements sont en boule dans la sècheuse.	Une charge en boule rebondit, ce qui fait vibrer la sècheuse. Séparer les articles de la charge et remettre la sècheuse en marche.
Bruit de cliquetis	Robinet de gaz en cours de fonctionnement.	Sur les sècheuses à gaz, on entendra peut-être le cliquetis du robinet de gaz lorsqu'il se ferme ou qu'il s'ouvre. Ceci est normal.
Résultats de la sècheuse		
Les vêtements ne séchent pas de manière satisfaisante ou le temps de séchage est trop long	Le filtre à charpie ou le logement du filtre à charpie est obstrué par de la charpie.	Nettoyer le filtre à charpie avant chaque utilisation. Nettoyer l'emplacement où loge le filtre à charpie lorsque cela est nécessaire. Avec un aspirateur, retirer délicatement toute charpie accumulée à l'extérieur du filtre à charpie.

Dépannage

Essayer d'abord les solutions suggérées ici ou consulter le site Web www.whirlpool.com/product_help –
Au Canada www.whirlpool.ca pour obtenir de l'aide et pour éviter une intervention de réparation.

Si les phénomènes suivants se produisent	Causes possibles	Solution
Résultats de la sécheuse (cont.)		
Les vêtements ne sèchent pas de manière satisfaisante ou le temps de séchage est trop long (cont.)	Le conduit d'évacuation ou le clapet d'évacuation à l'extérieur est obstrué par de la charpie, ce qui restreint le mouvement de l'air.	Faire fonctionner la sécheuse pendant 5 à 10 minutes. Tenir la main sous le clapet d'évacuation à l'extérieur pour vérifier le mouvement de l'air. Si aucun mouvement d'air n'est perceptible, ôter la charpie présente dans le système d'évacuation ou remplacer le conduit d'évacuation par un conduit en métal lourd ou flexible en métal. Voir les Instructions d'installation.
	Le conduit d'évacuation ne possède pas la bonne longueur.	Vérifier que le conduit d'évacuation n'est pas trop long ou ne comporte pas trop de changements de direction. Un long conduit augmentera les durées de séchage. Voir les Instructions d'installation.
	Le conduit d'évacuation ne possède pas le bon diamètre.	Utiliser un composant de 4" (102 mm) de diamètre.
	La sécheuse n'est pas d'aplomb.	Les vêtements ne sont pas au contact des détecteurs d'humidité lors du fonctionnement des programmes automatiques. Voir "Réglage de l'aplomb de la sécheuse" dans les Instructions d'installation.
	Le réglage de température No Heat (air seulement) a été sélectionné.	Choisir la bonne température pour les types de vêtements à sécher. Voir le "Guide de Programmes".
	La charge est trop grosse et trop lourde pour sécher rapidement.	Séparer la charge pour qu'elle culbute librement.
	Des feuilles d'assouplissant pour tissu obstruent la grille.	La grille de sortie de l'air se trouve à l'intérieur de la porte, derrière le filtre à charpie. Vérifier qu'elle n'est pas obstruée par une feuille d'assouplissant pour tissu. Utiliser seulement une feuille d'assouplissant par charge et l'utiliser une seule fois.
	La sécheuse se trouve dans une pièce où la température ambiante est inférieure à 45°F (7°C).	Le bon fonctionnement des programmes de la sécheuse nécessite une température ambiante supérieure à 45°F (7°C).
La sécheuse est placée dans un placard.	Les portes du placard doivent comporter des ouvertures d'aération au sommet et en bas de la porte. Un espace minimum de 1" (25 mm) est nécessaire à l'avant de la sécheuse et, pour la plupart des installations, un espace de 5" (127 mm) est nécessaire à l'arrière de la sécheuse. Voir les Instructions d'installation.	
La durée du programme est trop courte	La charge n'est peut-être pas en contact avec les bandes de détection (pour les programmes automatiques).	Régler l'aplomb de la sécheuse. Voir les Instructions d'installation. Les quatre pieds de nivellement de la sécheuse doivent être bien en contact avec le plancher.
	Les vêtements ressortent du programme Steam Refresh (rafraîchissement avec vapeur) humides ou mouillés par endroits.	Il se peut que l'on constate un séchage insuffisant dans certaines conditions atmosphériques ou dans certaines configurations d'installation.
	Le programme automatique se termine prématurément.	Modifier le réglage de degré de séchage pour les programmes automatiques. L'augmentation ou la diminution du degré de séchage modifiera la durée de séchage d'un programme. Si le séchage des charges se termine systématiquement trop tôt, voir aussi "Changement des réglages par défaut des programmes automatiques".
Charpie sur la charge	Le filtre à charpie est obstrué par de la charpie.	Nettoyer le filtre à charpie avant chaque charge.

Dépannage

Essayer d'abord les solutions suggérées ici ou consulter le site Web www.whirlpool.com/product_help –
Au Canada www.whirlpool.ca pour obtenir de l'aide et pour éviter une intervention de réparation.

Si les phénomènes suivants se produisent	Causes possibles	Solution
Résultats de la sécheuse (cont.)		
Présence de taches sur le linge	Utilisation incorrecte de l'assouplissant pour tissu.	Ajouter les feuilles d'assouplissant de tissu au début du programme. Les feuilles d'assouplissant de tissu ajoutées à une charge partiellement sèche peuvent tacher les vêtements. Ne pas utiliser de feuilles d'assouplissant pour tissu pour les programmes avec vapeur.
Présence de taches sur le tambour	Teintures instables sur les vêtements.	Les taches sur le tambour sont dues aux teintures contenues dans les vêtements (les jeans en général). Elles ne se transmettront pas aux autres vêtements.
Charges avec faux plis en V	La charge n'a pas été retirée de la sécheuse à la fin du programme.	Sélectionner le programme Steam Refresh (rafraîchissement avec vapeur) pour faire culbiter la charge avec de l'eau et de la chaleur. Ce programme est idéal pour aplanir les faux-plies et réduire les odeurs des charges composées d'articles en coton infroissable, en mélange de coton et polyester, de tricots ordinaires et de vêtements synthétiques. REMARQUE : Se reporter aux instructions figurant sur l'étiquette de soin des vêtements. Les articles avec nettoyage à sec uniquement sont déconseillés.
	La sécheuse a été emballée étroitement.	Faire sécher de plus petites charges qui peuvent culbiter librement. Les résultats peuvent varier selon le type de tissu.
	Pour les programmes avec vapeur, l'eau n'est pas correctement raccordée à la sécheuse.	S'assurer que la sécheuse est bien raccordée au circuit d'eau. S'assurer que le tuyau d'arrivée d'eau est raccordé à la fois au robinet et à l'électrovanne d'admission d'eau de la sécheuse. Vérifier que l'alimentation en eau est ouverte.
Odeurs	Vous avez récemment employé de la peinture, de la teinture ou du vernis dans la pièce où votre sécheuse est installée.	Aérer la pièce. Une fois les odeurs ou émanations disparues, laver et sécher à nouveau les vêtements.
	Pour les programmes avec vapeur, l'eau n'est pas correctement raccordée à la sécheuse.	S'assurer que la sécheuse est bien raccordée au circuit d'eau. S'assurer que le tuyau d'arrivée d'eau est raccordé à la fois au robinet et à l'électrovanne d'admission d'eau de la sécheuse. Vérifier que l'alimentation en eau est ouverte.
	Des odeurs persistent dans des vêtements déjà portés.	Pour éliminer les odeurs restées dans les vêtements déjà portés, sélectionner Steam Refresh (rafraîchissement avec vapeur). Ce programme est idéal pour réduire les faux-plies et la formation d'odeurs dans les charges composées d'articles en coton infroissable, en mélange de coton et polyester, de tricots ordinaires et de vêtements synthétiques.
Charge trop chaude	La charge a été retirée avant que la portion de refroidissement du programme ne soit terminée.	Laisser la sécheuse terminer la portion de refroidissement du programme avant d'enlever la charge.
	Utilisation d'un programme minuté avec un réglage de température élevé.	Sélectionner un programme de séchage automatique avec un réglage de chaleur inférieur pour éviter que la charge ne soit excessivement sèche.

Dépannage

Essayer d'abord les solutions suggérées ici ou consulter le site Web www.whirlpool.com/product_help –
Au Canada www.whirlpool.ca pour obtenir de l'aide et pour éviter une intervention de réparation.

Si les phénomènes suivants se produisent	Causes possibles	Solution
La sècheuse affiche un message codé ou un témoin lumineux s'allume		
"PF" (coupure de courant)	Le programme de séchage a été interrompu par une panne de courant.	Appuyer sans relâcher sur START (mise en marche) pour remettre la sècheuse en marche ou sur power (mise sous tension) pour effacer l'affichage.
Code de diagnostic "L2" (tension électrique faible ou inexistante)	Il est possible qu'un problème au niveau de l'alimentation électrique du domicile empêche le dispositif de chauffage de la sècheuse de se mettre en marche.	<p>La sècheuse continue de fonctionner lorsque ce code de diagnostic est présent. Appuyer sur n'importe quelle touche pour effacer le code de l'affichage et revenir à la durée résiduelle estimée.</p> <p>REMARQUE : Cette erreur n'apparaît qu'au moment de l'installation initiale.</p> <p>Essayer de résoudre le problème de la façon suivante :</p> <ul style="list-style-type: none"> • Déterminer si un fusible est grillé ou si un disjoncteur s'est déclenché. Les sècheuses électriques utilisent deux fusibles ou disjoncteurs domestiques. Remplacer le fusible ou réarmer le disjoncteur. • S'assurer que le cordon d'alimentation est bien installé. Consulter les Instructions d'installation pour plus de détails. • Sélectionner un programme de séchage avec chaleur minuté et remettre la sècheuse en marche. <p>Si le message reste affiché, consulter un électricien qualifié.</p>
Codes de service variables "F# E#" (F1 E1, F3 E1, etc.).	La sècheuse doit être réparée.	Si un code commençant par un "F" apparaît sur l'affichage, alternant entre F# et E#, le module de commande de la sècheuse a détecté un problème nécessitant une intervention de dépannage. Demander une intervention de dépannage par téléphone.
Le témoin lumineux Check Vent (Vérifier l'évent) s'allume	Le filtre à charpie ou le conduit d'évacuation est obstrué; le conduit d'évacuation est écrasé, déformé ou présente trop de changements de direction.	<p>La sècheuse continue de fonctionner lorsque ce code de diagnostic est présent. Appuyer sur n'importe quelle touche pour effacer le code de l'affichage et revenir à la durée résiduelle estimée.</p> <p>Essayer de résoudre le problème de la façon suivante :</p> <ul style="list-style-type: none"> • Nettoyer le filtre à charpie. • Vérifier que le circuit d'évacuation allant de la sècheuse au mur n'est ni comprimé, ni déformé. • S'assurer que le circuit d'évacuation allant de la sècheuse au mur est exempt de charpie ou de résidus. • S'assurer que la hotte d'évacuation extérieure est exempte de charpie ou de résidus. • S'assurer que le système d'évacuation respecte bien la longueur totale et le nombre de coudes recommandés pour le type de conduit utilisé. Consulter "Planification du système d'évacuation" dans les Instructions d'installation pour plus de détails. <p>Sélectionner un programme de séchage avec chaleur minuté et remettre la sècheuse en marche.</p> <p>Si le message reste affiché, faire nettoyer la totalité du circuit d'évacuation du domicile. Contacter un technicien qualifié dans l'évacuation d'air.</p>

GARANTIE DES APPAREILS DE BUANDERIE WHIRLPOOL®

ATTACHEZ ICI VOTRE REÇU DE VENTE. UNE PREUVE D'ACHAT EST OBLIGATOIRE POUR OBTENIR L'APPLICATION DE LA GARANTIE.

Lorsque vous appelez le centre d'eXpérience de la clientèle, veuillez garder à disposition les renseignements suivants :

- Nom, adresse et numéro de téléphone
- Numéros de modèle et de série
- Une description claire et détaillée du problème rencontré
- Une preuve d'achat incluant le nom et l'adresse du marchand ou du détaillant

SI VOUS AVEZ BESOIN DE SERVICE :

1. Avant de nous contacter pour obtenir un dépannage, veuillez déterminer si des réparations sont nécessaires pour votre produit. Certains problèmes peuvent être résolus sans intervention de dépannage. Prenez quelques minutes pour parcourir la section Dépannage ou Résolution des problèmes du guide d'utilisation et d'entretien, scannez le code QR ci-contre pour accéder à des ressources supplémentaires, ou rendez-vous sur le site https://www.whirlpool.ca/product_help.
2. Tout service sous garantie doit être effectué exclusivement par nos fournisseurs de dépannage autorisés Whirlpool. Aux É.-U. et au Canada, dirigez toutes vos demandes de service sous garantie au :



https://www.whirlpool.ca/product_help

Centre d'eXpérience de la clientèle Whirlpool

Aux É.-U., composer le 1-800-253-1301. Au Canada, composer le 1-800-807-6777.

Si vous résidez à l'extérieur du Canada et des 50 États des États-Unis, contactez votre marchand Whirlpool autorisé pour déterminer si une autre garantie s'applique.

GARANTIE LIMITÉE D'UN AN

CE QUI EST COUVERT

CE QUI N'EST PAS COUVERT

Pendant un an à compter de la date d'achat, lorsque ce gros appareil ménager est installé, utilisé et entretenu conformément aux instructions jointes à ou fournies avec le produit, Whirlpool Corporation ou Whirlpool Canada LP (ci-après désignées "Whirlpool") décidera à sa seule discrétion de remplacer le produit ou de couvrir le coût des pièces de remplacement spécifiées par l'usine et de la main-d'œuvre nécessaires pour corriger les vices de matériaux ou de fabrication qui existaient déjà lorsque ce gros appareil ménager a été acheté. S'il est remplacé, votre appareil restera sous garantie pour la durée restant à courir de la période de garantie sur le produit d'origine.

LE SEUL ET EXCLUSIF RECOURS DU CLIENT DANS LE CADRE DE LA PRÉSENTE GARANTIE LIMITÉE CONSISTE EN LA RÉPARATION PRÉVUE CI-DESSUS. Le service doit être fourni par une compagnie de service désignée par Whirlpool. Cette garantie limitée est valide uniquement aux États-Unis ou au Canada et s'applique exclusivement lorsque le gros appareil ménager est utilisé dans le pays où il a été acheté. La présente garantie limitée entre en vigueur à compter de la date d'achat initial par le consommateur. Une preuve de la date d'achat d'origine est exigée pour obtenir un service dans le cadre de la présente garantie limitée.

1. Usage commercial, non résidentiel ou par plusieurs familles, ou non-respect des instructions de l'utilisateur, de l'opérateur ou des instructions d'installation.
2. Visite d'instruction à domicile pour montrer à l'utilisateur comment utiliser l'appareil.
3. Visites de service pour rectifier une installation ou un entretien fautifs du produit, une installation non conforme aux codes d'électricité ou de plomberie, ou la rectification de l'installation électrique ou de la plomberie du domicile (ex : câblage électrique, fusibles ou tuyaux d'arrivée d'eau du domicile).
4. Pièces consommables (ex : ampoules, batteries, filtres à air ou à eau, etc.).
5. Conversion de votre produit du gaz naturel ou du gaz de pétrole liquéfié, ou inversion des portes de l'appareil.
6. Dommages causés par : accident, mésusage, abus, incendie, inondations, catastrophe naturelle ou l'utilisation de produits non approuvés par Whirlpool.
7. Réparations aux pièces ou systèmes dans le but de rectifier un dommage ou des défauts résultant d'une réparation, d'une altération ou d'une modification non autorisée de l'appareil.
8. Défauts d'apparence, notamment les éraflures, traces de choc, fissures ou tout autre dommage subi par le fini de l'appareil ménager, à moins que ces dommages ne résultent de vices de matériaux ou de fabrication et ne soient signalés à Whirlpool dans les 30 jours.
9. Décoloration, rouille ou oxydation des surfaces résultant d'environnements caustiques ou corrosifs incluant des concentrations élevées de sel, un haut degré d'humidité ou une exposition à des produits chimiques (exemples non exhaustifs).
10. Enlèvement ou livraison. Ce produit est conçu pour être réparé à l'intérieur du domicile.
11. Frais de déplacement et de transport pour le dépannage/la réparation dans une région éloignée où une compagnie de service Whirlpool autorisée n'est pas disponible.
12. Retrait ou réinstallation d'appareils inaccessibles ou de dispositifs préinstallés (ex : garnitures, panneaux décoratifs, plancher, meubles, îlots de cuisine, plans de travail, panneaux de gypse, etc.) qui entravent le dépannage, le retrait ou le remplacement du produit.
13. Service et pièces pour des appareils dont les numéros de série et de modèle originaux ont été enlevés, modifiés ou ne peuvent pas être facilement identifiés.

Le coût d'une réparation ou d'un remplacement dans le cadre de ces circonstances exclues est à la charge du client.

CLAUSE D'EXONÉRATION DE RESPONSABILITÉ AU TITRE DES GARANTIES IMPLICITES

LES GARANTIES IMPLICITES, Y COMPRIS LES GARANTIES APPLICABLES DE QUALITÉ MARCHANDE OU D'APTITUDE À UN USAGE PARTICULIER, SONT LIMITÉES À UN AN OU À LA PLUS COURTE PÉRIODE AUTORISÉE PAR LA LOI. Certains États et certaines provinces ne permettent pas de limitation sur la durée de garanties implicites de qualité marchande ou d'aptitude à un usage particulier, de sorte que la limitation ci-dessus peut ne pas être applicable dans votre cas. Cette garantie vous confère des droits juridiques spécifiques, et vous pouvez également jouir d'autres droits qui peuvent varier d'une juridiction à l'autre.

EXONÉRATION DE RESPONSABILITÉ EN DEHORS DE LA GARANTIE

Whirlpool ne prend aucun engagement quant à la qualité ou la durabilité de l'appareil, ou en cas de dépannage ou de réparation nécessaire sur ce gros appareil ménager, autre que les engagements énoncés dans la présente garantie. Si vous souhaitez une garantie prolongée ou plus complète que la garantie limitée fournie avec ce gros appareil ménager, renseignez-vous auprès de Whirlpool ou de votre détaillant à propos de l'achat d'une extension de garantie.

LIMITATION DES RECOURS; EXCLUSION DES DOMMAGES FORTUITS OU INDIRECTS

LE SEUL ET EXCLUSIF RECOURS DU CLIENT DANS LE CADRE DE LA PRÉSENTE GARANTIE LIMITÉE CONSISTE EN LA RÉPARATION PRÉVUE CI-DESSUS. WHIRLPOOL N'ASSUME AUCUNE RESPONSABILITÉ POUR LES DOMMAGES FORTUITS OU INDIRECTS. Certains États et certaines provinces ne permettent pas l'exclusion ou la limitation des dommages fortuits ou indirects de sorte que ces limitations et exclusions peuvent ne pas être applicables dans votre cas. Cette garantie vous confère des droits juridiques spécifiques, et vous pouvez également jouir d'autres droits qui peuvent varier d'une juridiction à l'autre.

03/14

Assistance or Service

Before calling for assistance or service, please check "Troubleshooting" or visit www.whirlpool.com/help. It may save you the cost of a service call. If you still need help, follow the instructions below.

When calling, please know the purchase date and the complete model and serial number of your appliance. This information will help us to better respond to your request.

If you need replacement parts or to order accessories

We recommend that you use only FSP® Factory Specified Parts. These parts will fit right and work right because they are made with the same precision used to build every new WHIRLPOOL® appliance.

To locate FSP® replacement parts, assistance in your area, or accessories:

Whirlpool Corporation Customer eXperience Center
1-800-253-1301 www.whirlpool.com
1-800-442-9991 (Accessories)
www.whirlpool.com/accessories

Whirlpool Canada LP
Customer eXperience Centre
1-800-807-6777
www.whirlpool.ca

or call your nearest designated service center or refer to your Yellow Pages telephone directory.

Our consultants provide assistance with

In the U.S.A.

- Features and specifications on our full line of appliances.
- Installation information.
- Specialized customer assistance (Spanish speaking, hearing impaired, limited vision, etc.).

In the U.S.A. and Canada

- Use and maintenance procedures.
- Accessory and repair parts sales.
- Referrals to local dealers, repair parts distributors, and service companies. Whirlpool designated service technicians are trained to fulfill the product warranty and provide after-warranty service, anywhere in the United States and Canada.

You can write with any questions or concerns at:

Whirlpool Corporation
Customer eXperience Center
553 Benson Road
Benton Harbor, MI 49022-2692

Customer eXperience Centre
Whirlpool Canada LP
Unit 200-6750 Century Ave
Mississauga, Ontario L5N 0B7

Please include a daytime phone number in your correspondence.

Assistance ou Service

Avant de faire un appel pour assistance ou service, veuillez vérifier la section "Dépannage" ou consulter www.whirlpool.com/help. Cette vérification peut vous faire économiser le coût d'une visite de réparation.

Si vous avez encore besoin d'aide, suivre les instructions ci-dessous.

Lors d'un appel, veuillez connaître la date d'achat et les numéros au complet de modèle et de série de votre appareil. Ces renseignements nous aideront à mieux répondre à votre demande.

Si vous avez besoin de pièces de rechange ou pour commander des accessoires

Si vous avez besoin de commander des pièces de rechange, nous vous recommandons d'utiliser seulement des pièces spécifiées par l'usine FSP®. Ces pièces conviendront et fonctionneront bien parce qu'elles sont fabriquées selon les mêmes spécifications précises utilisées pour construire chaque nouvel appareil WHIRLPOOL®.

Pour trouver des pièces de rechange FSP®, de l'aide ou des accessoires dans votre région :

Whirlpool Canada LP Centre pour l'eXpérience de la clientèle
1-800-807-6777 www.whirlpool.ca

ou contacter votre centre de réparation désigné le plus proche, ou encore consulter les Pages Jaunes.

Nos consultants fournissent l'assistance pour :

- Procédés d'utilisation et d'entretien.
- Vente d'accessoires et de pièces de rechange.
- Les références aux concessionnaires, compagnies de service de réparation et distributeurs de pièces de rechange locaux. Les techniciens de service désignés par Whirlpool sont formés pour remplir la garantie des produits et fournir un service après la garantie, partout au Canada.

Pour plus d'assistance

Vous pouvez nous soumettre toute question ou problème en écrivant à l'adresse ci-dessous :

Centre pour l'eXpérience de la clientèle
Whirlpool Canada LP
Unit 200-6750 Century Ave
Mississauga, Ontario L5N 0B7

Dans votre correspondance, veuillez indiquer un numéro de téléphone où on peut vous joindre dans la journée.