

# MANTEL

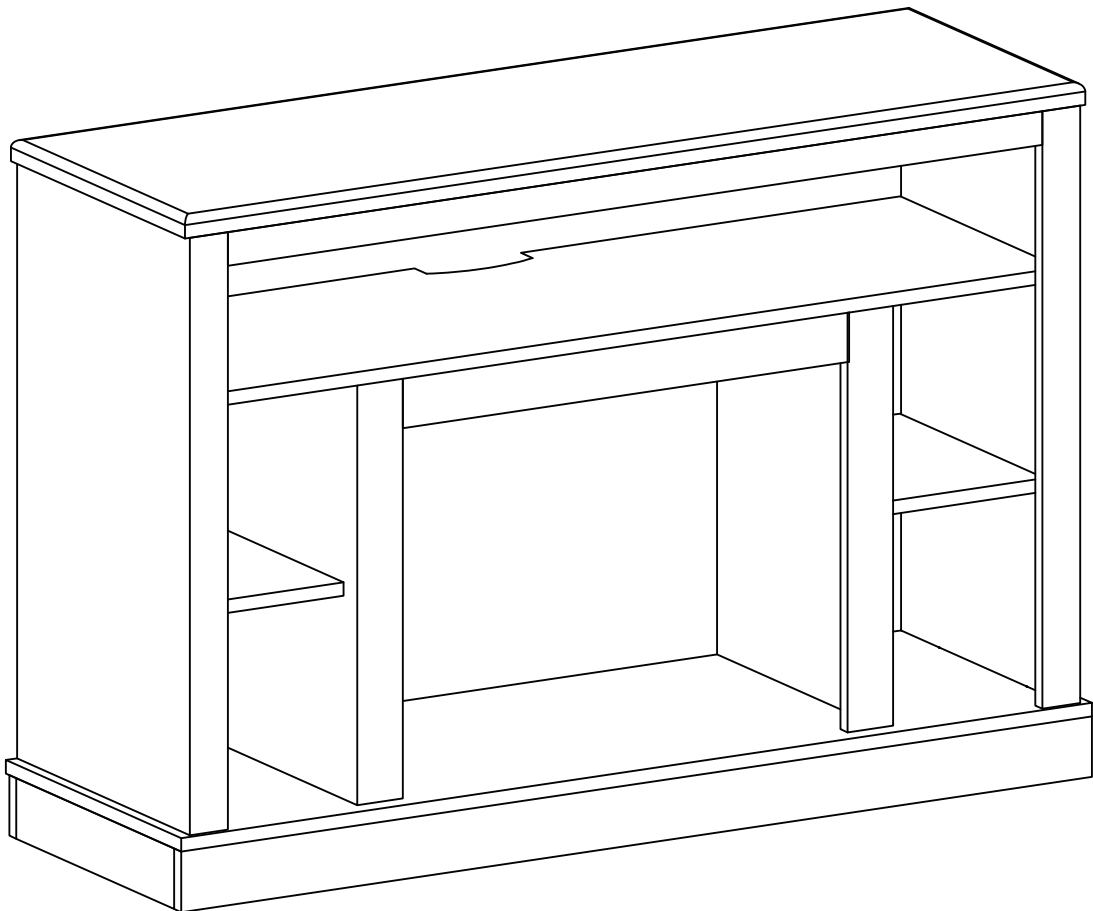
## MODEL

X5021-1CHR

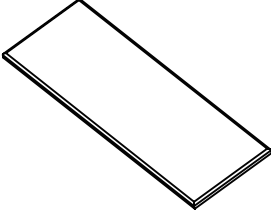
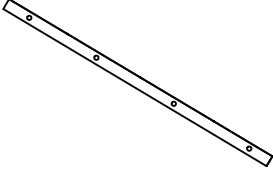

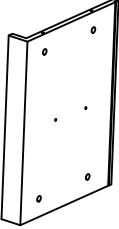
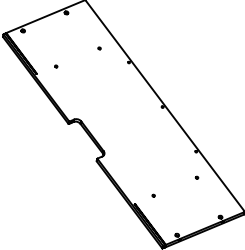
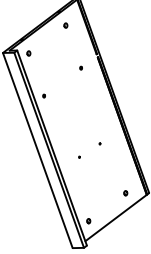
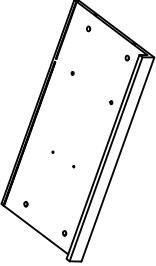
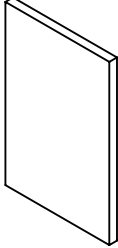
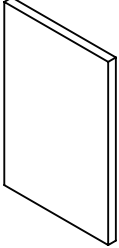
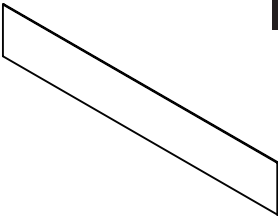


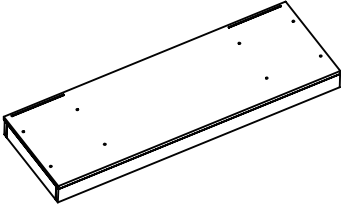
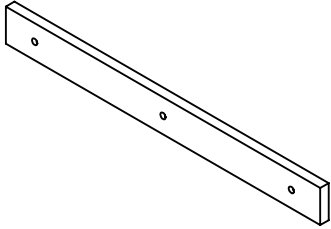
X5021-1MAH

X5021-1TEK

X5021-1WHT

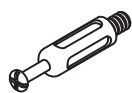


**PACKAGE CONTENTS**

 <p><b>A</b></p>	 <p><b>B</b></p>	 <p><b>C</b></p>
 <p><b>D</b></p>	 <p><b>E</b></p>	 <p><b>F</b></p>
 <p><b>G</b></p>	 <p><b>H<sub>1</sub></b></p>	 <p><b>H<sub>2</sub></b></p>
 <p><b>I</b></p>	 <p><b>J<sub>1</sub></b></p>	 <p><b>J<sub>2</sub></b></p>
 <p><b>K</b></p>	 <p><b>L</b></p>	

**HARDWARE CONTENTS**

**AA**



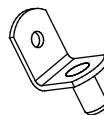
Bolt  
Qty. 27

**BB**



Metal  
Connector  
Qty. 27

**CC**



Shelf Pin  
Qty. 8

## PACKAGE CONTENTS

---

PART	DESCRIPTION	QTY.	PART NO.
A	Top Panel	1	
B	Top Trim Panel	1	
C	Left Inner Panel	1	
D	Right Inner Panel	1	
E	Top shelf	1	
F	Left Side Panel	1	
G	Right Side Panel	1	
H1	Adjustable Shelf	1	
H2	Adjustable Shelf	1	
I	Upper Back Panel	1	
J1	Lower Back Panel	1	
J2	Lower Back Panel	1	
K	Base	1	
L	Shelf Rail	1	
AA	Bolt	27	
BB	Metal Connector	27	
CC	Shelf Pin	8	

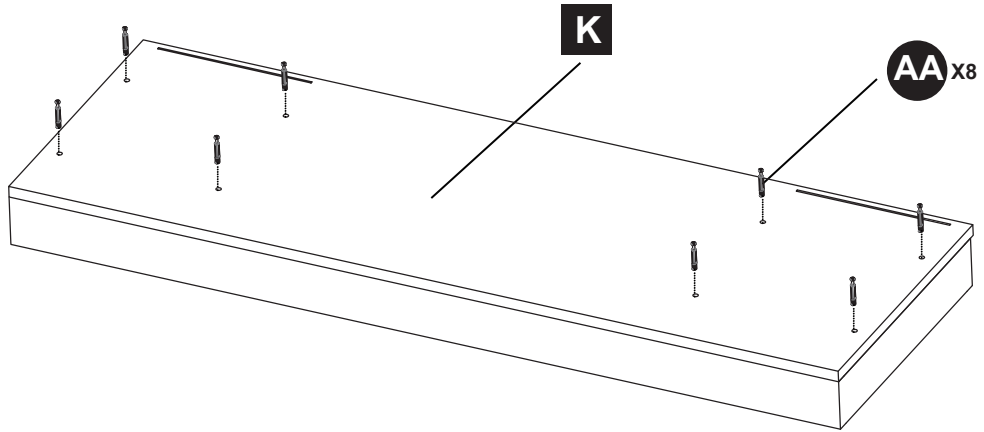
*Some parts and specifications may change without notice.*

Carefully remove all pieces from the carton and make sure that you have all parts listed (refer to parts list on page 2-3).

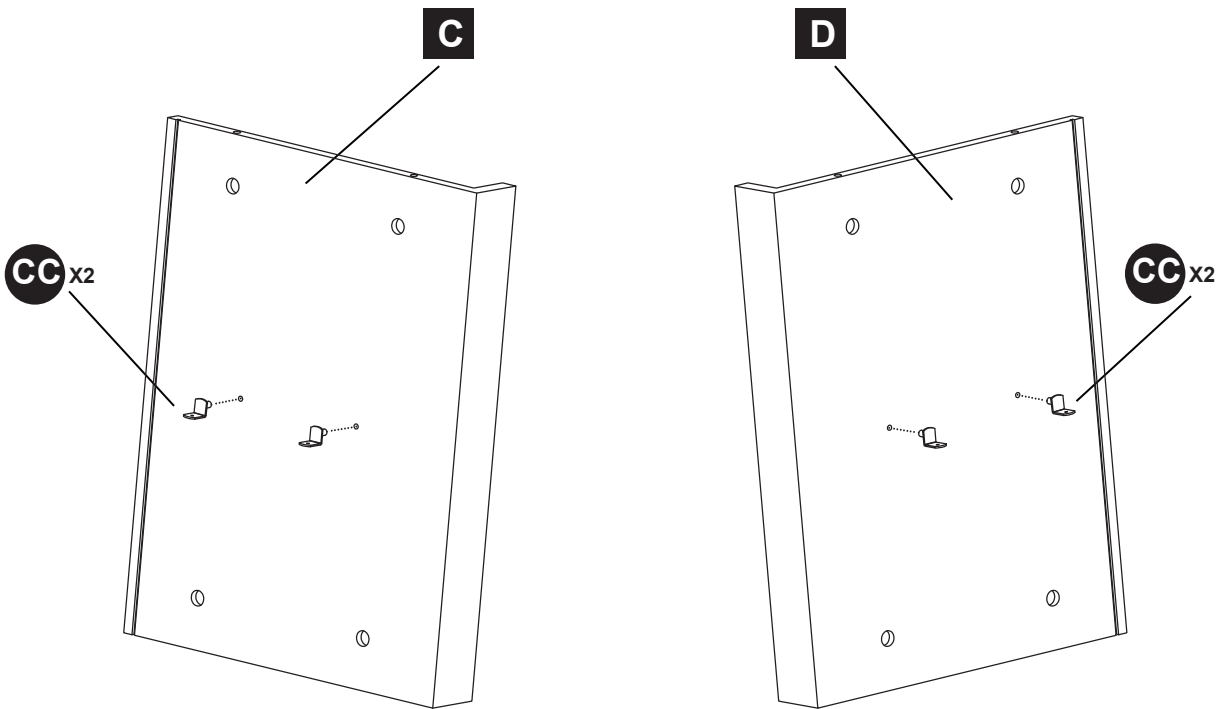
# PACKAGE STEPS

---

1.

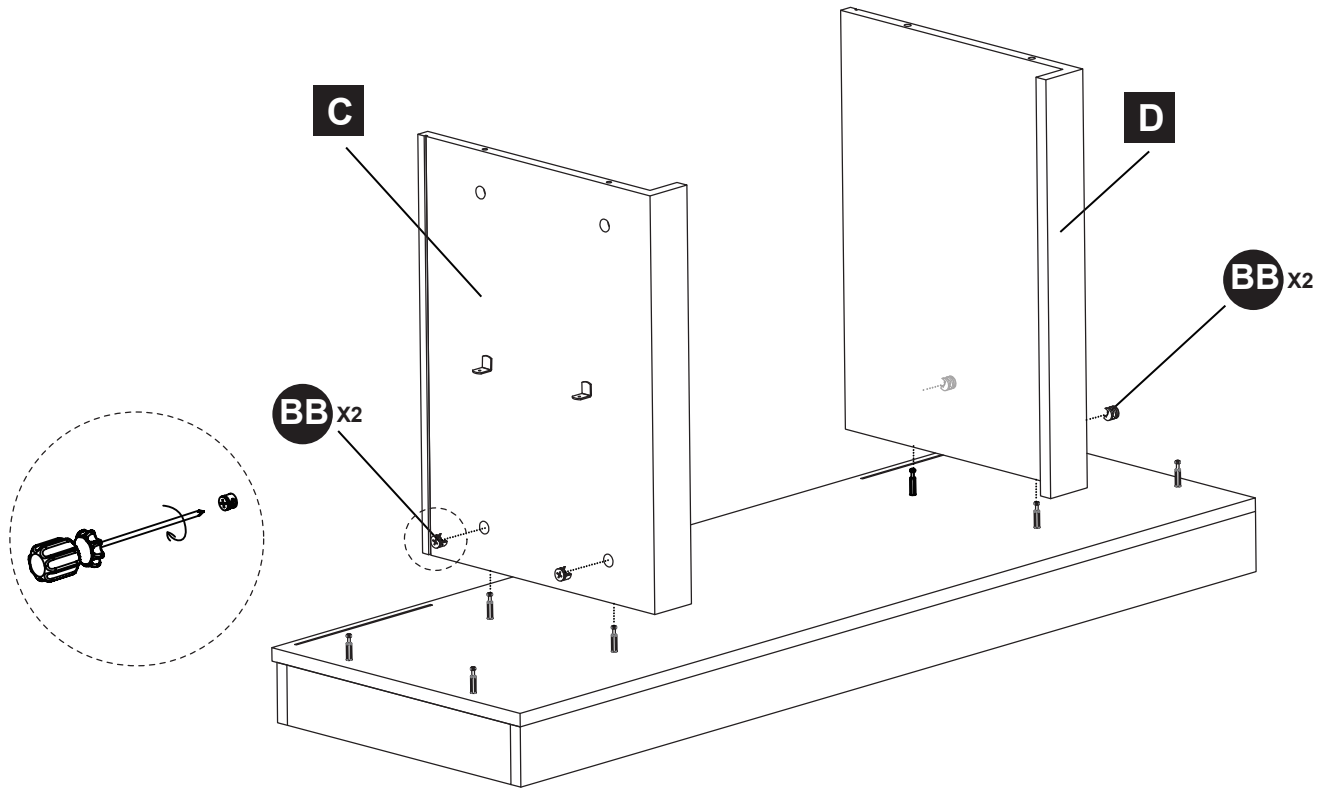


2.

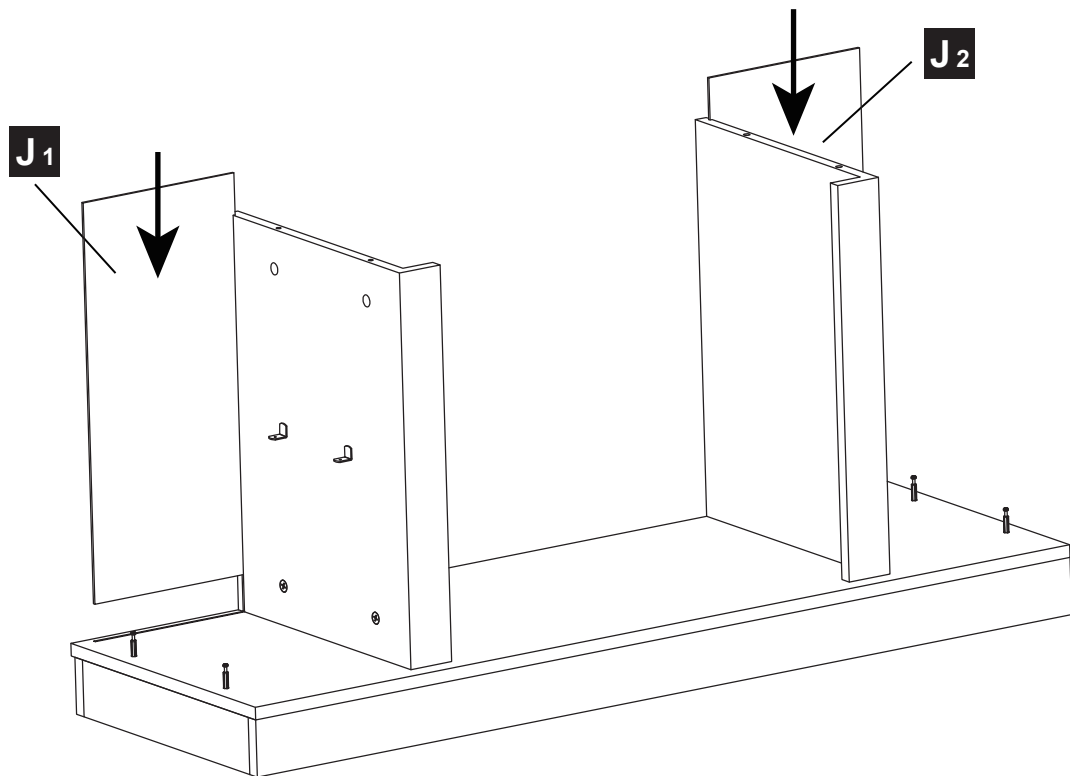


# PACKAGE STEPS

3.



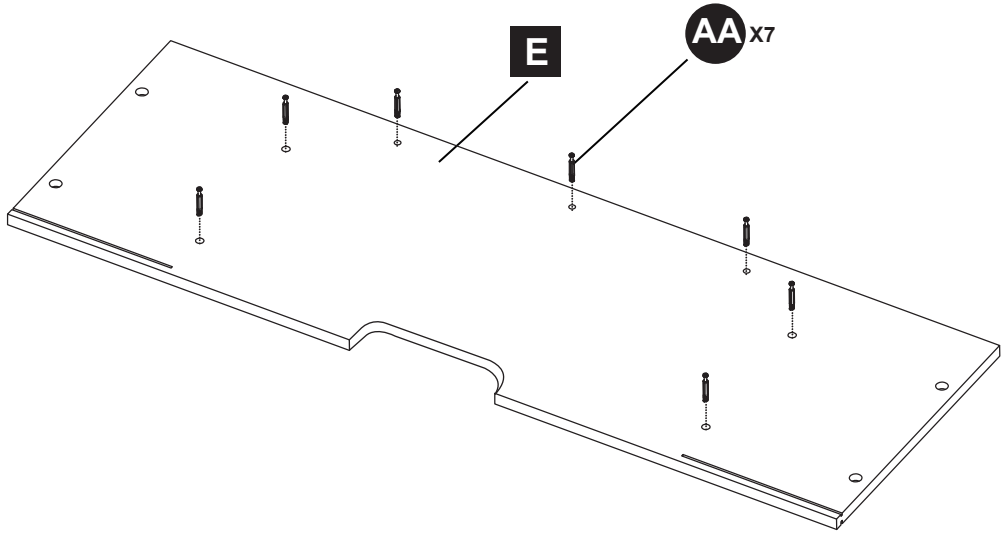
4.



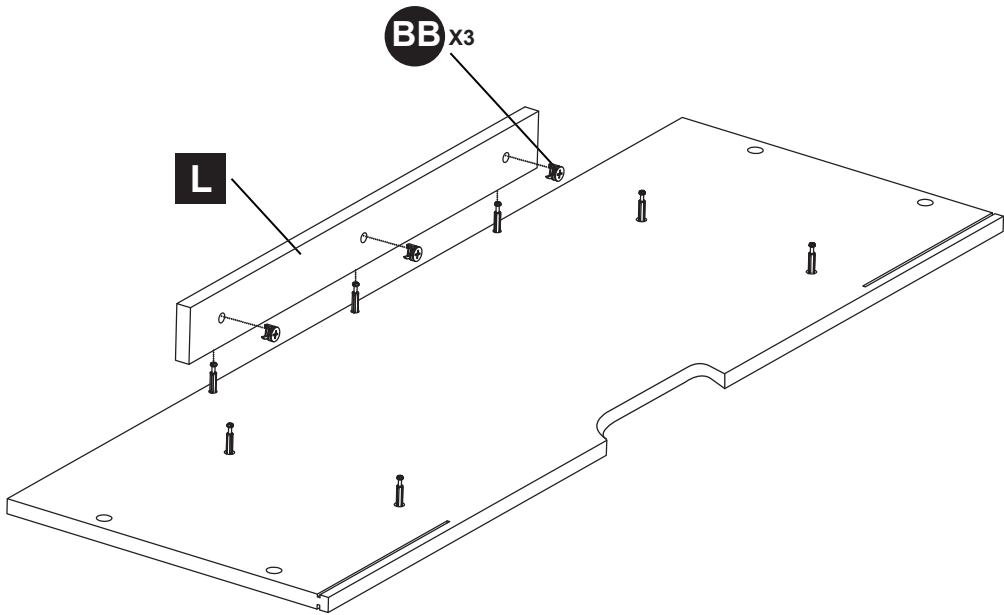
# PACKAGE STEPS

---

5.



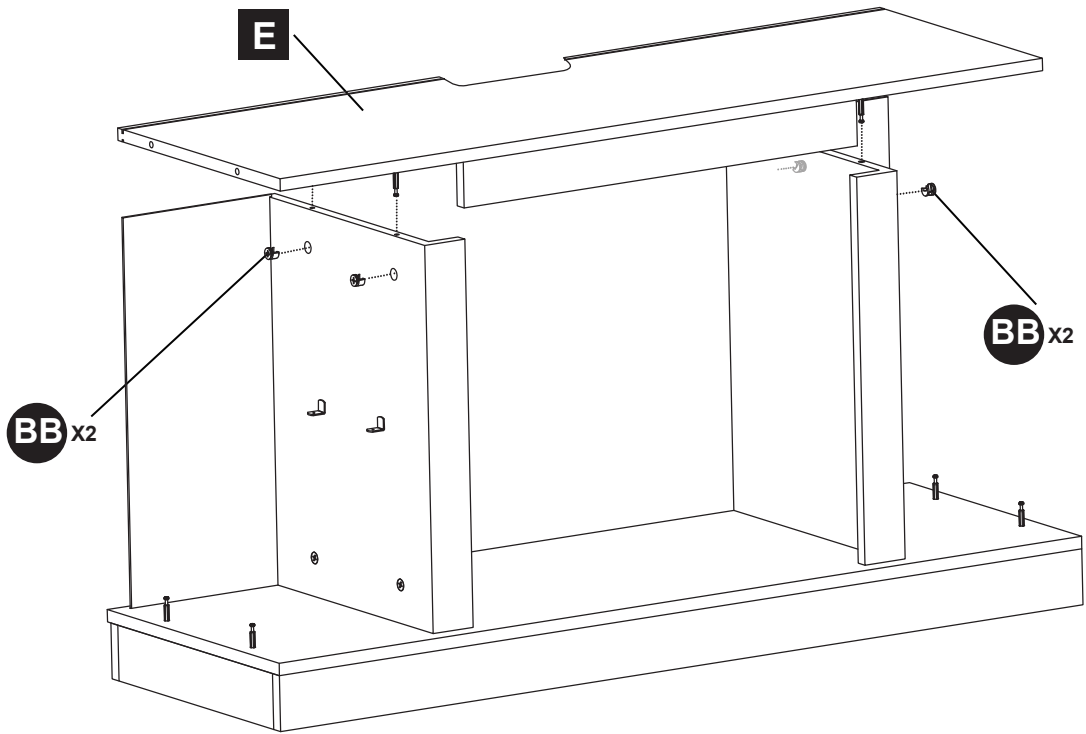
6.



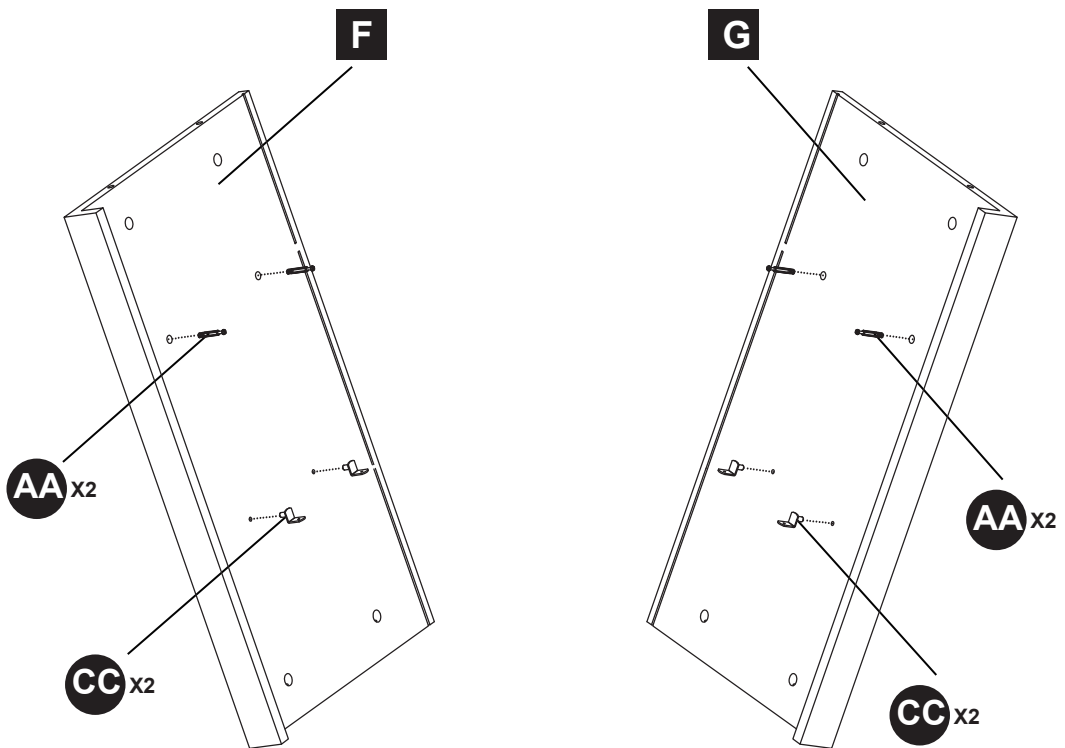
# PACKAGE STEPS

---

7.



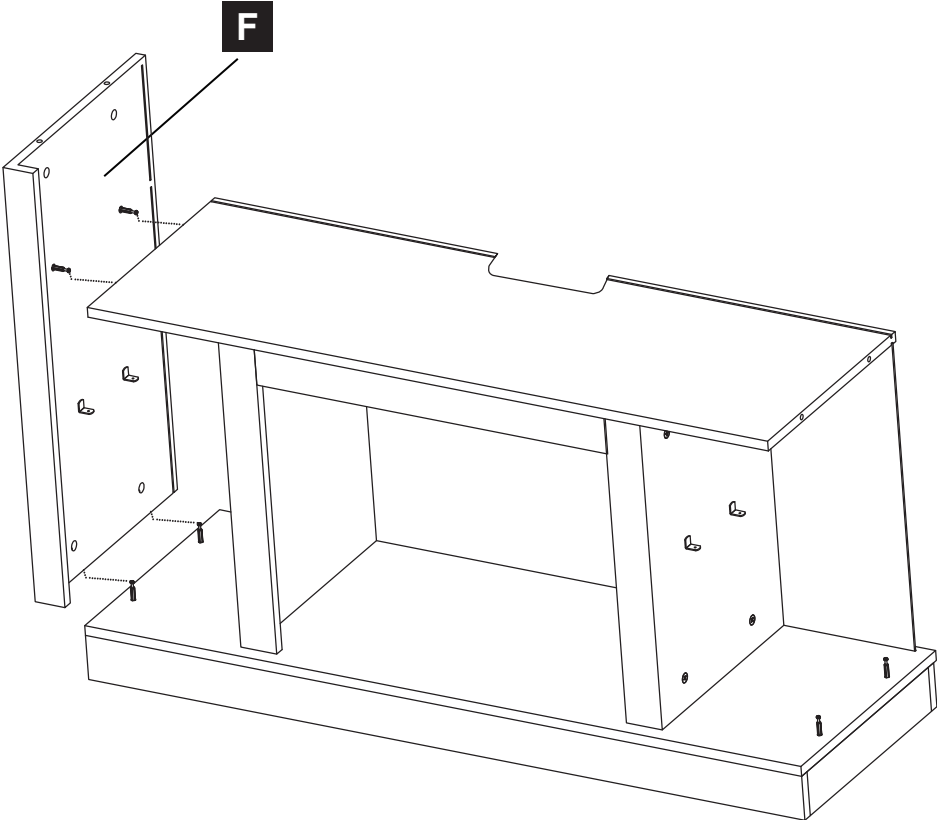
8.



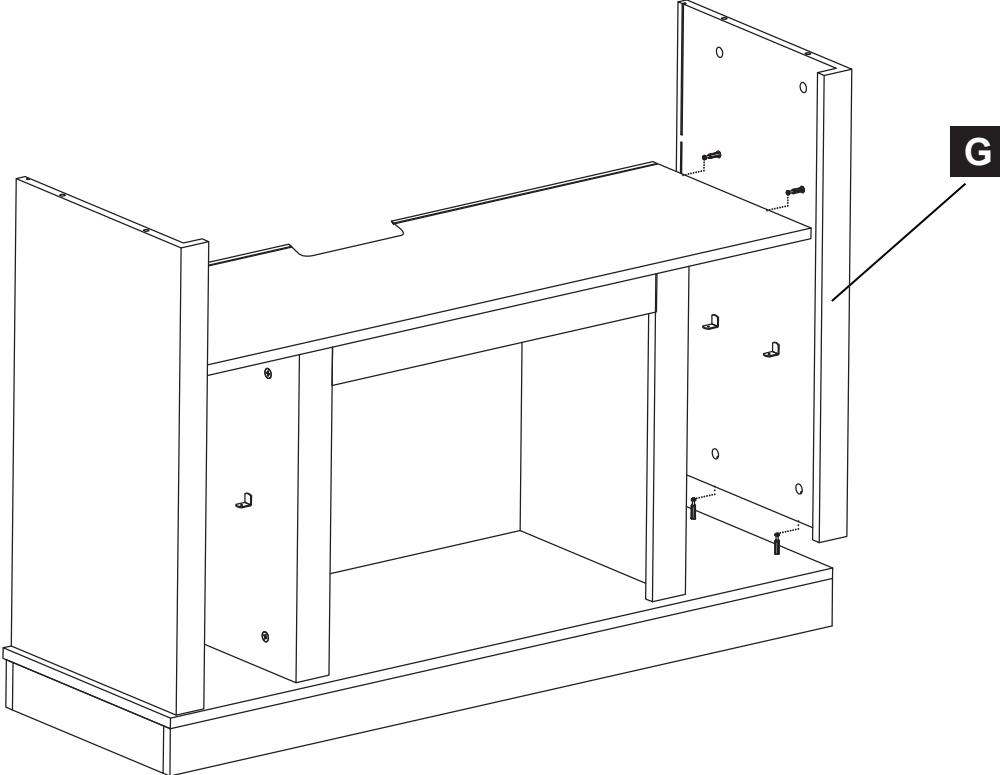
**PACKAGE STEPS**

---

**9.**



**10.**

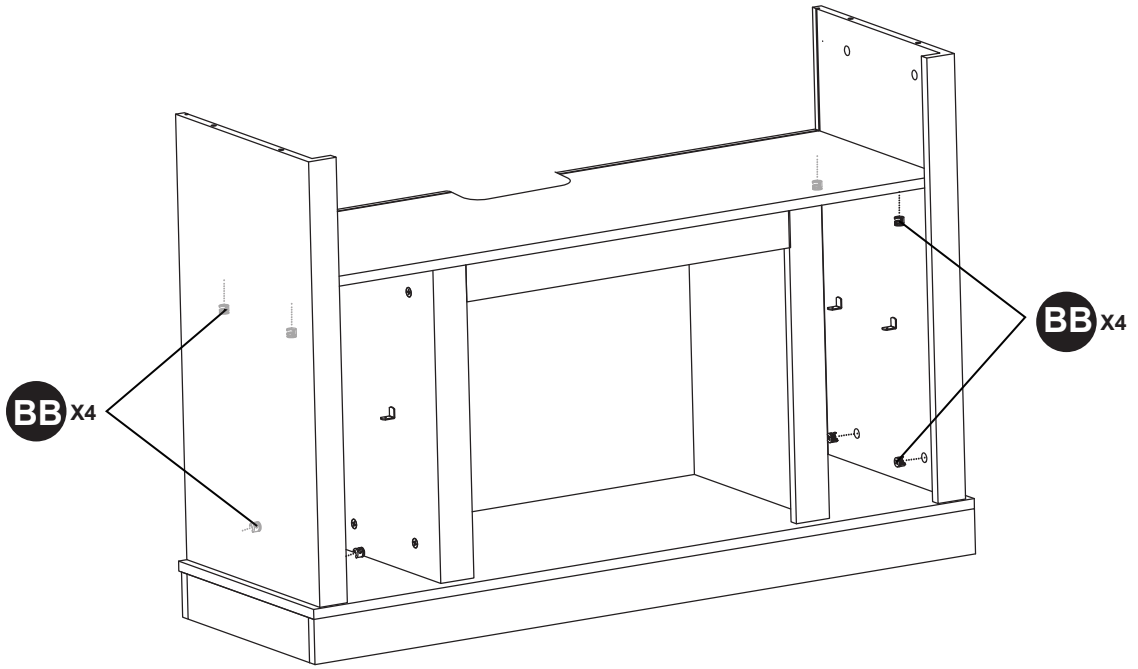




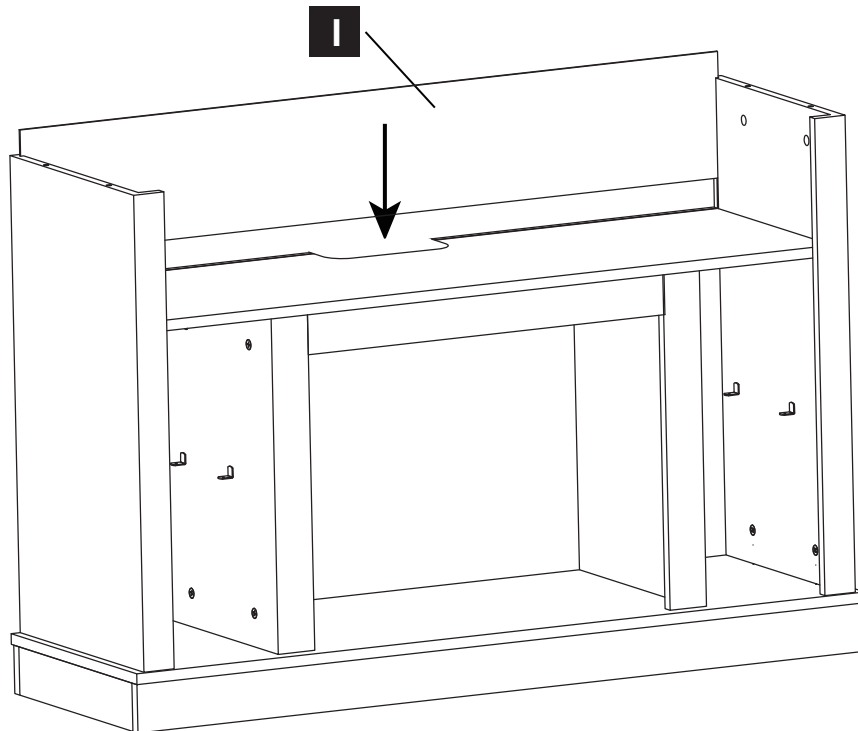
# PACKAGE STEPS

---

11.



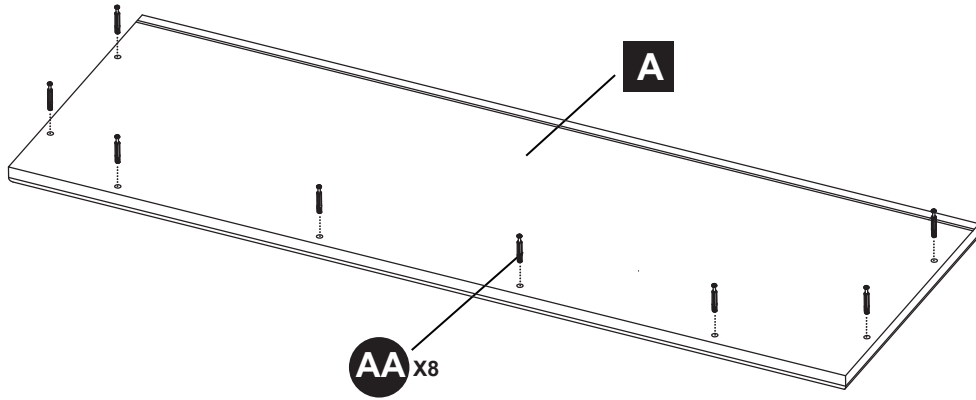
12.



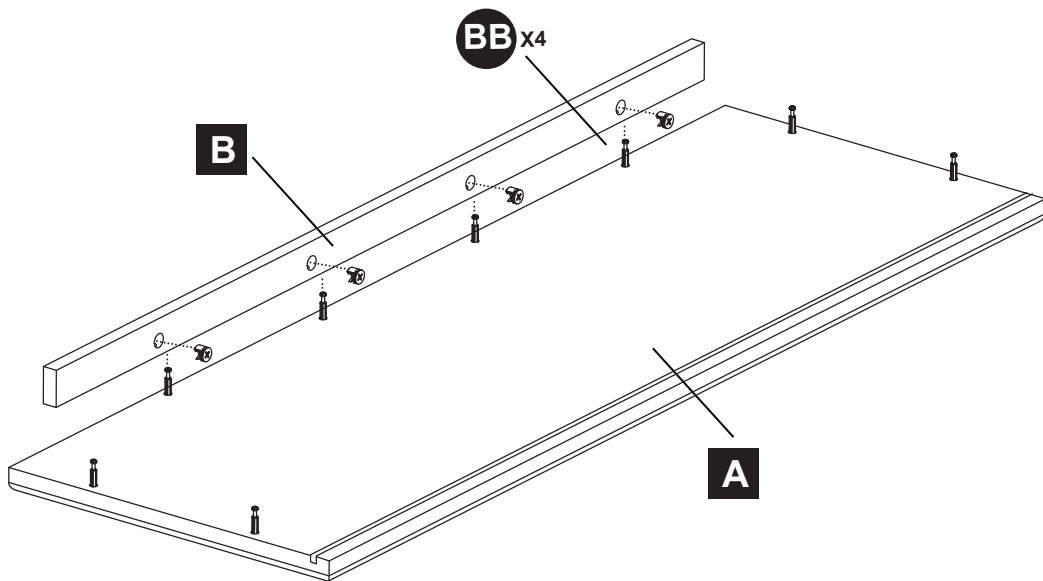
PACKAGE STEPS

---

13.



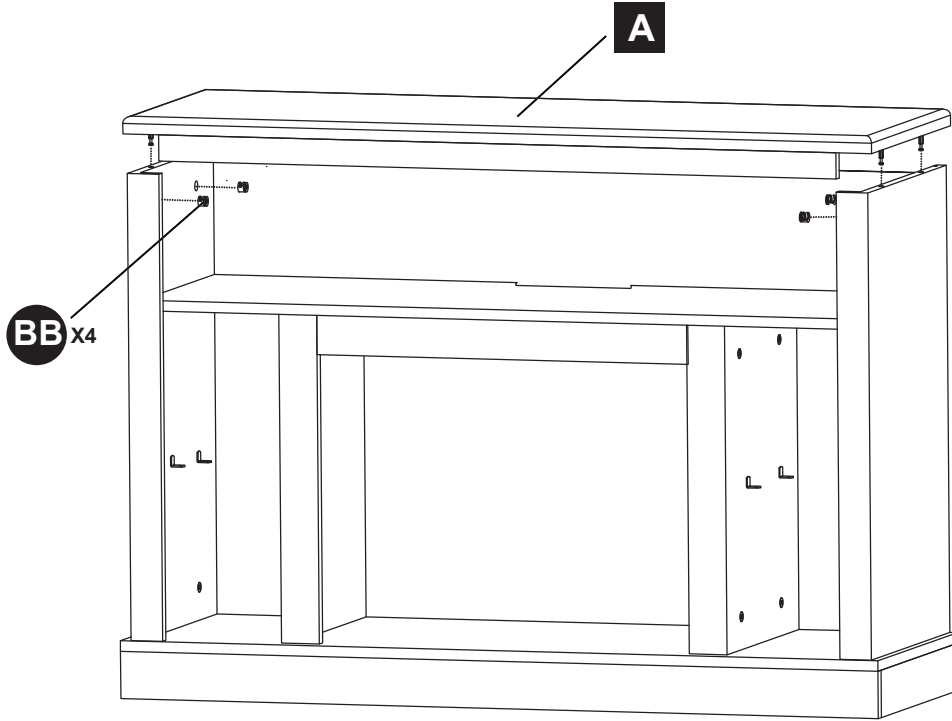
14.



PACKAGE STEPS

---

15.



16.

