


For Residential and Commercial Applications

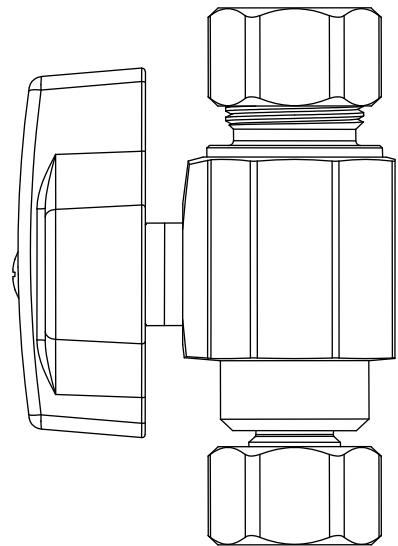
Job Name		Engineer / Architect	
Job Location		Wholesaler	
Submittal Date		Contractor	

KTCR11FX 1/4 Turn Straight Stop-Female Compression x Compression

Use: For use in potable water distribution systems.

Design Features:

- **Machined brass ball** is specially engineered and mated with PTFE seats to provide smooth operation without freeze ups even after long periods of non-use
- **Two high-performance o-rings** withstand high temperatures and corrosion from harsh water environments
- **Machined brass body** provides strength, durability, and long-lasting performance
- **Blow-out proof brass stem** is assembled from the inside out with two o-rings to ensure safe, reliable performance
- **Plated stem** provides corrosion resistance and prevents o-ring damage after long periods of non-use
- **Patented, chrome plated metal handle** is designed for durability, corrosion resistance, and a sleek appearance
- **Easy-to-remove handle** with screw attachment helps protect against accidental stop operation during rough-ins
- **100% Leak tested**
-  **No Lead**



Operating Specifications:

Temperature: 40°- 180° F
Pressure: 125 PSI maximum

No-Lead Product

STOP MATERIAL SPECIFICATIONS	
Body	No-Lead brass
Stem	Brass, plated
Seat	PTFE
Ball	Brass, plated
Stem o-ring	Rubber
Handle	Zinc, die cast plated
Screw	Zinc-plated steel
Compression Sleeve	Brass
Compression Nut	Brass, chrome plated
Barb	Brass
Washer	Rubber

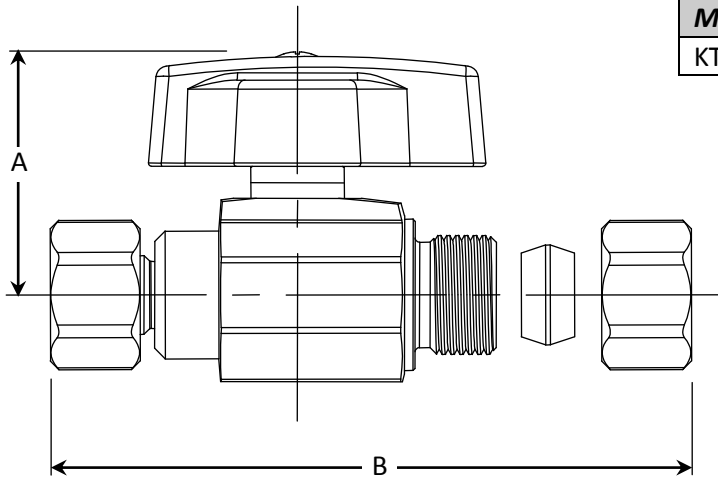
This specification and all information contained herein is the confidential and exclusive property of BrassCraft Manufacturing, and shall not be disclosed to others without the written consent of BrassCraft Mfg. This specification must be returned to BrassCraft Mfg if requested.



KTCR11FX 1/4 Turn Straight Stop - Female Compression x Compression

No-Lead Part Listing:

- KTCR11FX C 3/8" OD Female Compression x 3/8" OD Compression, chrome plated
- KTCR11FX C1 3/8" OD Female Compression x 3/8" OD Compression, chrome plated, window box



PART DIMENSIONS (Inches)		
Model	DIM. A	DIM. B
KTCR11F	1.14	2.36

Listings & Certifications:

- IAPMO listed to ASME A112.18.1 / CSA B125.1 (File # 0645)
- CSA listed to ASME A112.18.1 / CSA B125.1 (File # 204593)
- No-Lead product CSA listed to Low Lead Content Certification Program – Plumbing Products Class 6853-01



This specification and all information contained herein is the confidential and exclusive property of BrassCraft Manufacturing, and shall not be disclosed to others without the written consent of BrassCraft Mfg. This specification must be returned to BrassCraft Mfg if requested.

BrassCraft®