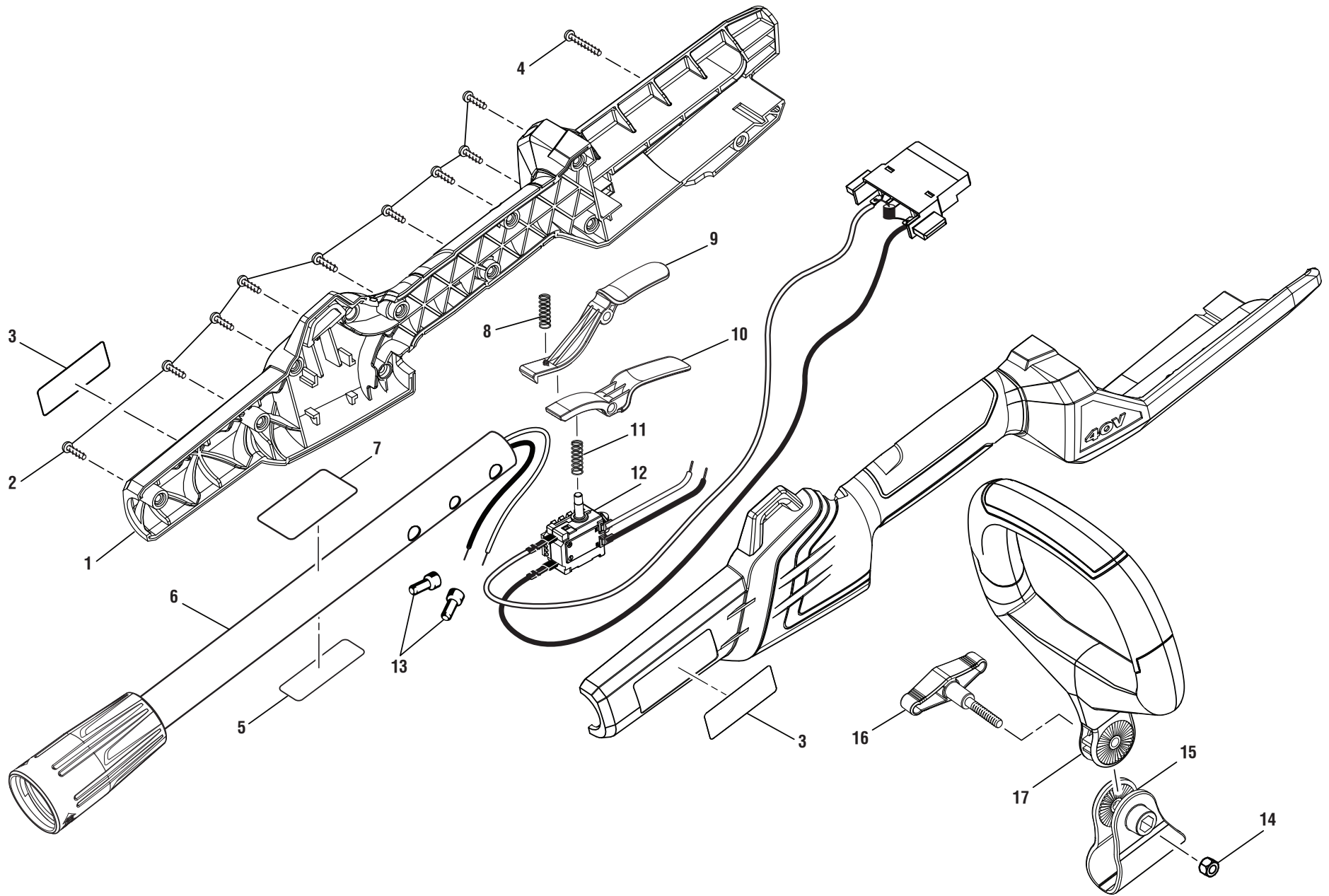


**RYOBI**  
**40 V Power Head**  
**Item No. RY40001B**  
**Mfg. No. 311114008**  
**Repair sheet**

**TECHTRONIC INDUSTRIES POWER EQUIPMENT**

P.O. Box 1288  
Anderson, SC 29622  
Phone 1-800-860-4050  
[www.ryobitools.com](http://www.ryobitools.com)

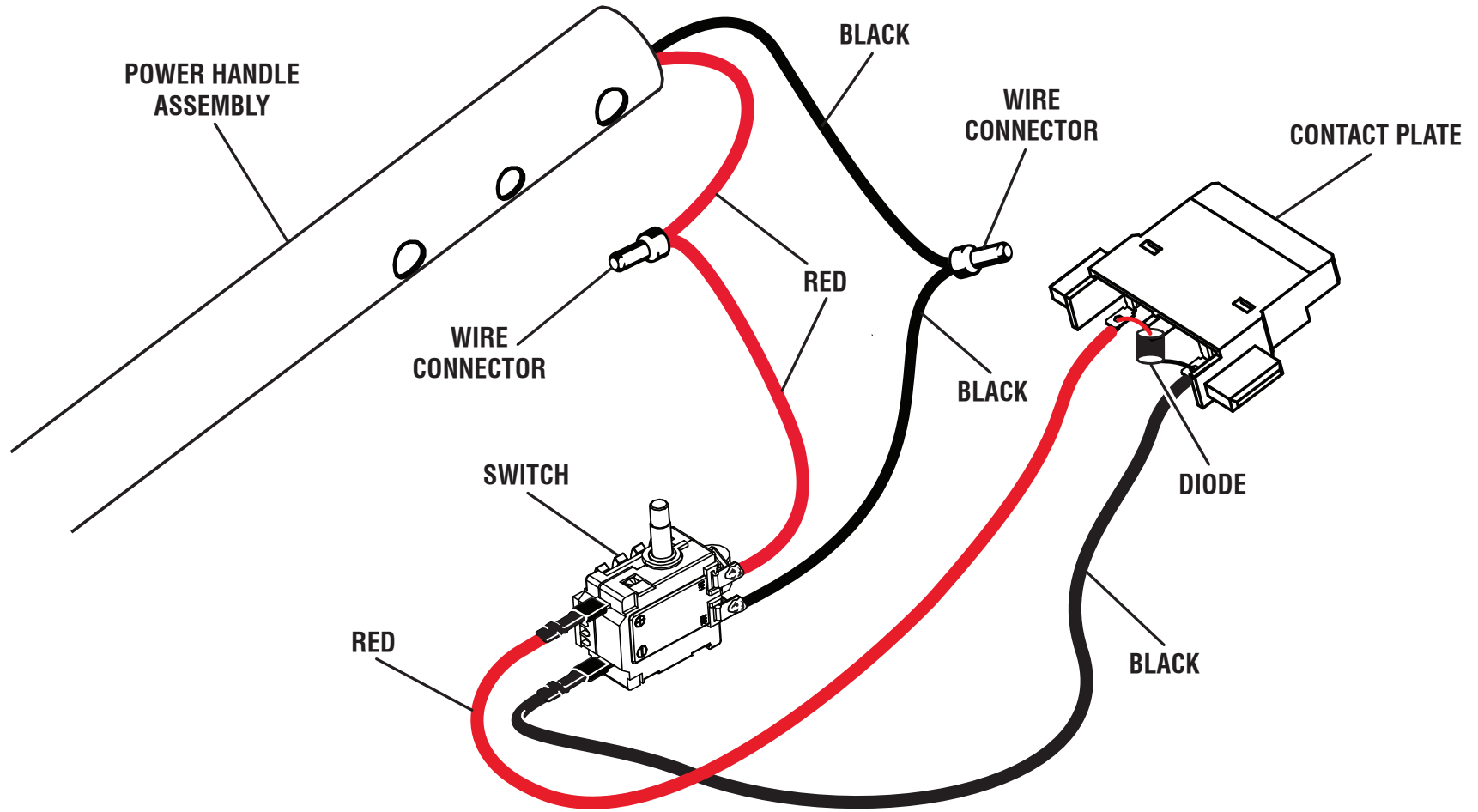
RYOBI POWER HEAD – ITEM NO. RY40001B



**RYOBI POWER HEAD – ITEM NO. RY40001B**

The model number will be found on a label attached to the **UPPER TUBE ASSEMBLY**. Always mention the model number of your **POWER HEAD** when requesting service or ordering repair parts.

<b>KEY NO.</b>	<b>PART NUMBER</b>	<b>DESCRIPTION</b>	<b>QTY</b>
1	314756001	Rear Handle Assembly (Inc. Key No. 3).....	1
2	661817001	Screw (M4 x 14 mm, T15 Torx Pan Hd.).....	9
3	941545002	Logo Label.....	2
4	660208104	Screw (M4 x 30 mm, T15 Torx Pan Hd.).....	1
5	941851099	Data Label.....	1
6	314794001	Upper Tube Assembly (Inc. Key Nos. 5 and 7).....	1
7	941851103	Warning Icon Label.....	1
8	679973002	Compression Spring (Trigger Lock).....	1
9	525589001	Lock Off Button (Trigger Lock).....	1
10	525590001	Switch Trigger.....	1
11	679973001	Compression Spring (Trigger).....	1
12	314755001	Switch and Contact Plate Assembly.....	1
13	790009004	Wire Connector.....	2
14	680196006	Hex Nut (M6).....	1
15	310921001	Bracket Assembly.....	1
16	314754001	Handle Knob Assembly.....	1
17	311158001	Auxiliary Handle Assembly (Inc. Key Nos. 14-16).....	1
	<b>Not Shown</b>		
	995000646	Operator's Manual	
	10-3-18 (Rev:01)		



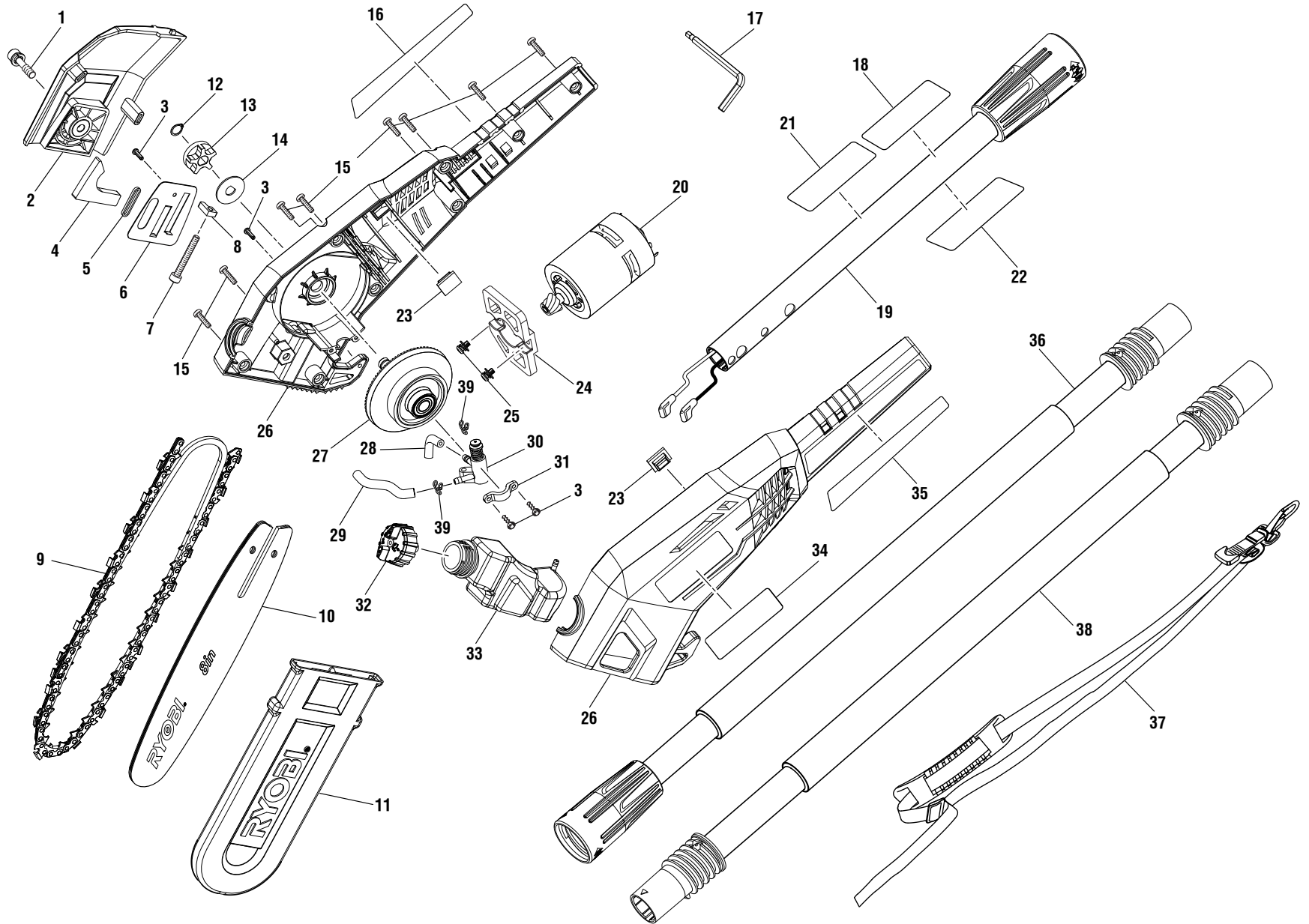
WIRING DIAGRAM

**RYOBI**  
**Pole Saw Attachment**  
**Item No. RY40050**  
**Mfg. No. 311069002**  
**Repair Sheet**

**TECHTRONIC INDUSTRIES POWER EQUIPMENT**

P.O. Box 1288  
Anderson, SC 29622  
Phone 1-800-860-4050  
[www.ryobitools.com](http://www.ryobitools.com)

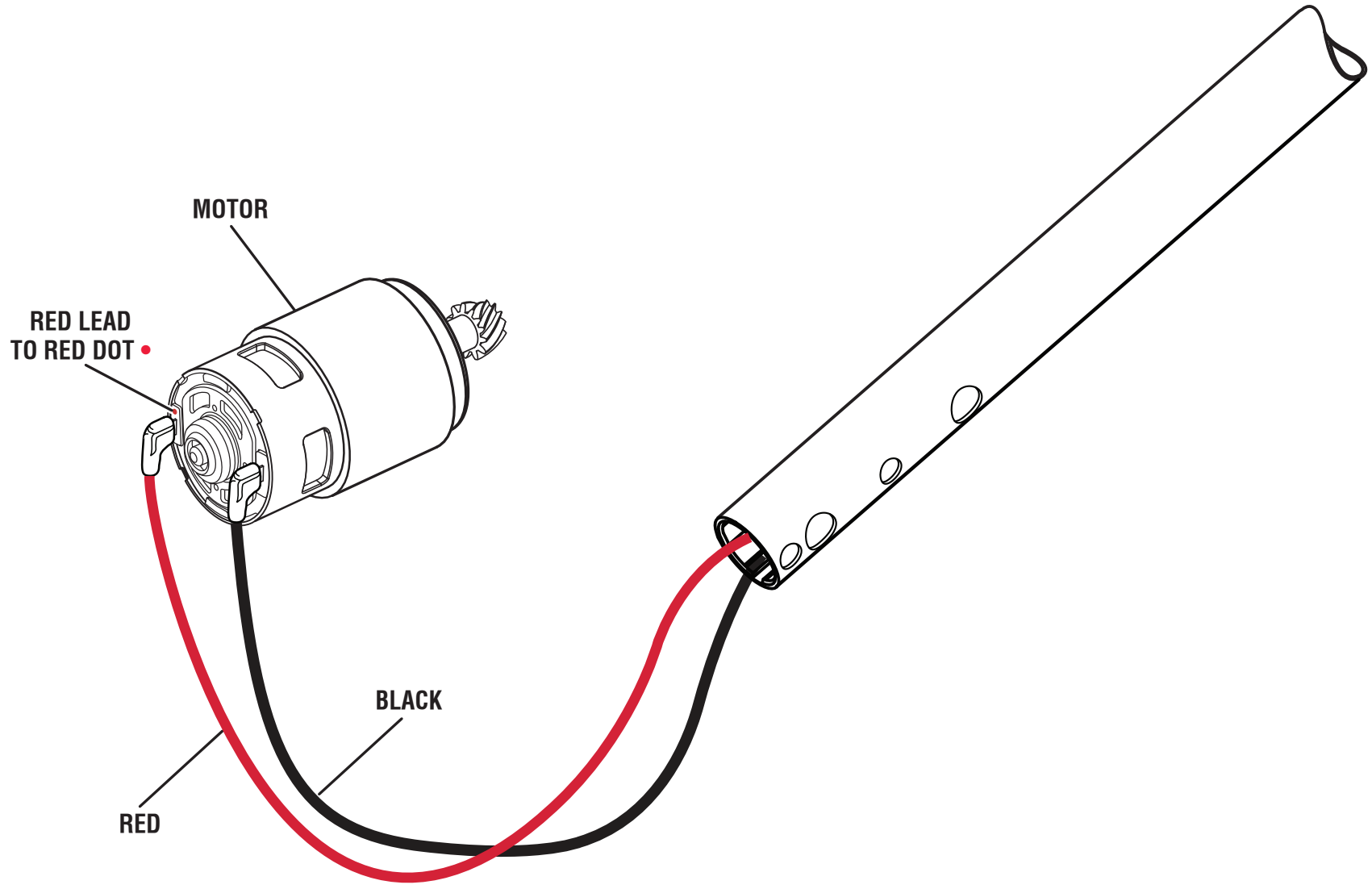
RYOBI POLE SAW ATTACHMENT - ITEM NO. RY40050



**RYOBI POLE SAW ATTACHMENT – ITEM NO. RY40050**

The model number will be found on a label attached to the Upper Pole Assembly. Always mention the model number in all correspondence regarding your **POLE SAW ATTACHMENT** or when ordering replacement parts.

<b>KEY NO.</b>	<b>PART NUMBER</b>	<b>DESCRIPTION</b>	<b>QTY</b>	<b>KEY NO.</b>	<b>PART NUMBER</b>	<b>DESCRIPTION</b>	<b>QTY</b>
1	660058008	Screw (M6 x 25 mm).....	1	23	570115001	Rubber Plate.....	2
2	551066001	Chain Cover Assembly.....	1	24	642037001	Mounting Plate.....	1
3	660203001	Screw (M3 x 8 mm, Pan Hd.).....	4	25	T661845001	Screw w/Washer (M5 x 9 mm, Pan Hd.).....	2
4	570821001	Press Block (Seal).....	1	26	314757001	Motor Housing Assembly (Inc. Key Nos. 16 and 34-35).....	1
5	570820001	Rubber Seal.....	1	27	311071001	Gear Assembly.....	1
6	634561001	Guide Bar Plate.....	1	28	570807001	Inlet Tube.....	1
7	661816001	Screw (M5 x 37 mm, Soc. Hd.).....	1	29	570807002	Outlet Tube.....	1
8	678356002	Adjustment Block.....	1	30	300946003	Oil Pump Assembly.....	1
9	310987002	Chain.....	1	31	531003001	Clamp.....	1
10	300961010	Guide Bar.....	1	32	310983001	Oil Tank Cap Assembly.....	1
11	580699010	Scabbard.....	1	33	311072001	Oil Tank Assemby (Inc. Key No. 32).....	1
12	670608002	Retaining Ring.....	1	34	941851093	Logo Label.....	1
13	610323001	Sprocket.....	1	35	941851094	40V Lithium Label (Left).....	1
14	690733001	“D” Washer (OD24 x ID 10 x 1.2t).....	1	36	311081002	Extended Boom Assembly.....	1
15	661189003	Screw (M4 x 18 mm, T20 Torx Pan Hd.).....	8	37	308047001	Shoulder Strap Assembly.....	1
16	941851095	40V Lithium Label (Right).....	1	38	311075001	Boom Assembly.....	1
17	680002008	Hex Key (5 mm).....	1	39	690700001	Hose Clips.....	2
18	941851096	Icon Warning Label (English).....	1				
19	314758001	Upper Pole Assembly (Inc. Key Nos. 18 and 21-22).....	1		<b>NOT SHOWN</b>		
20	311070002	Motor Assembly.....	1		995000646	Operator’s Manual	
21	941851097	Data Label.....	1		10-3-18		
22	941851098	Warning Label (French/Spanish).....	1		(Rev:01)		



WIRING DIAGRAM