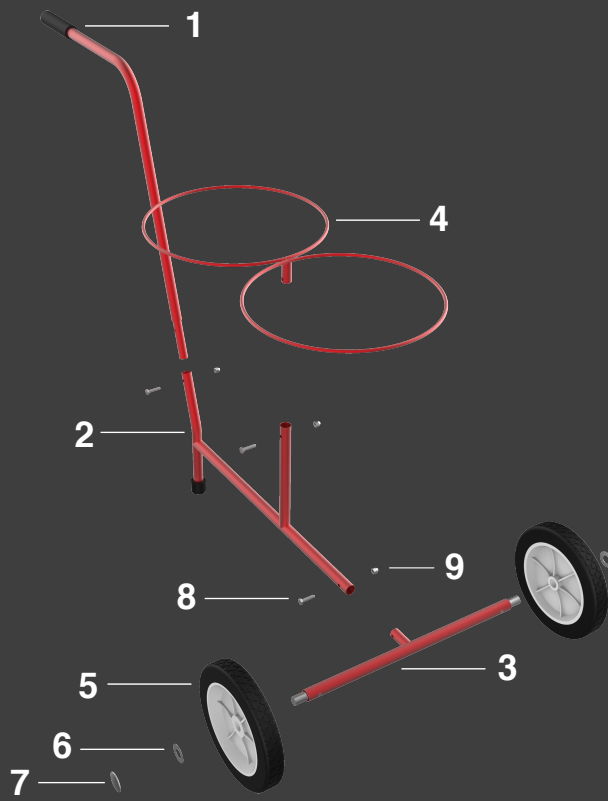


PARTS



- 1. Handle Bar
- 2. Spine
- 3. Axle
- 4. Rings
- 5. Wheel
- 6. Washer
- 7. Wheelcap
- 8. Bolt
- 9. Nut

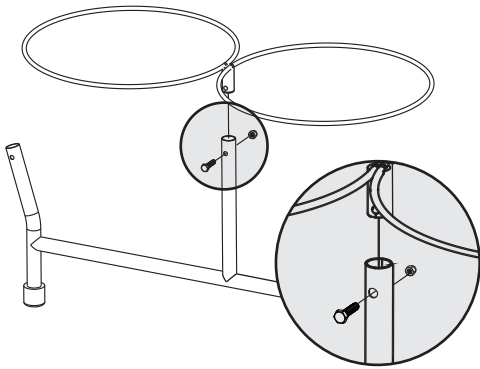


LAMB INDUSTRIES
24539 Via Esquina
Calabasas, CA 91302
lambindustries.org

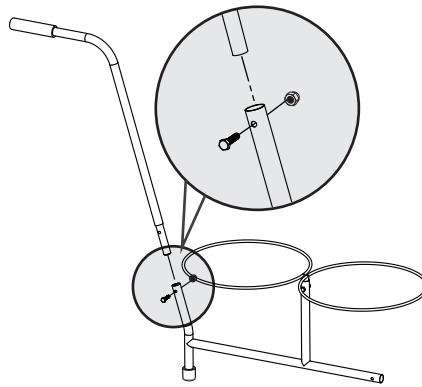
ASSEMBLY

Tools Needed:
14mm Socket Wrench
Crescent Wrench

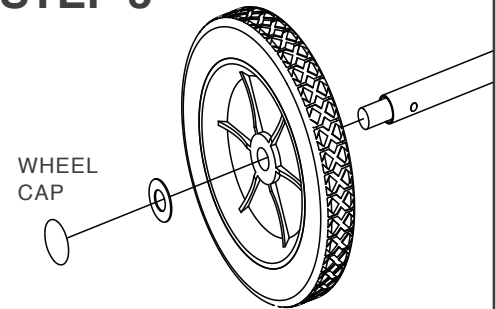
STEP 1



STEP 2



STEP 3



**PUSH FIRMLY AND EVENLY FOR
WHEEL CAP TO SNAP INTO PLACE**

STEP 4

