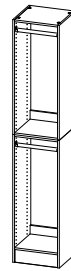
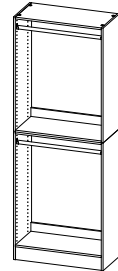


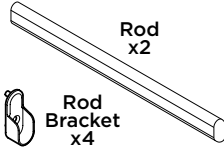
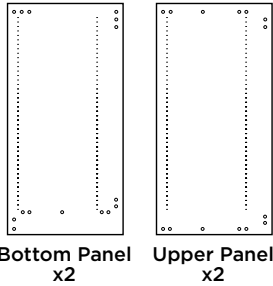
**T15**



**T30**



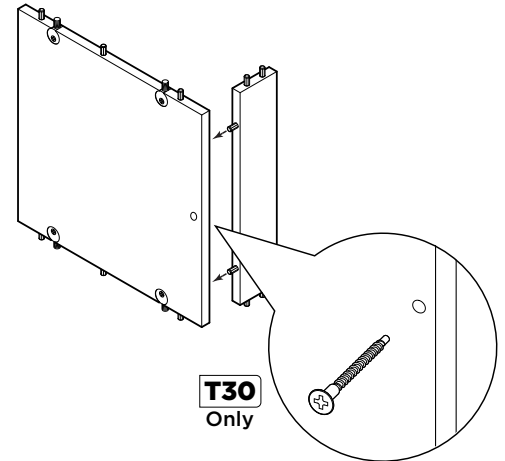
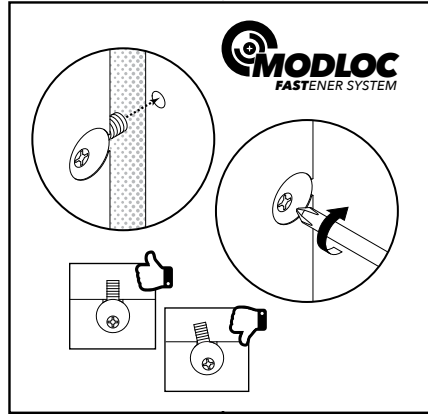
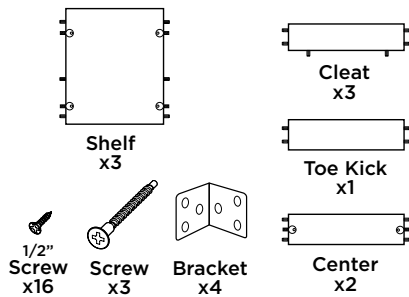
**Parts**



**1**

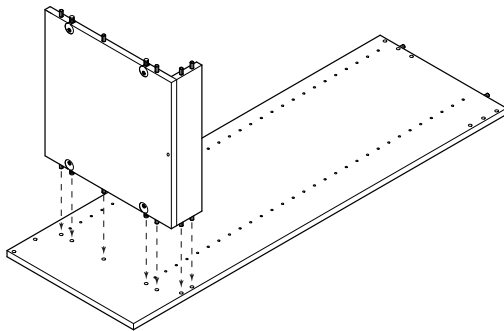
**Attach Cleat to Shelves.**

**X3**



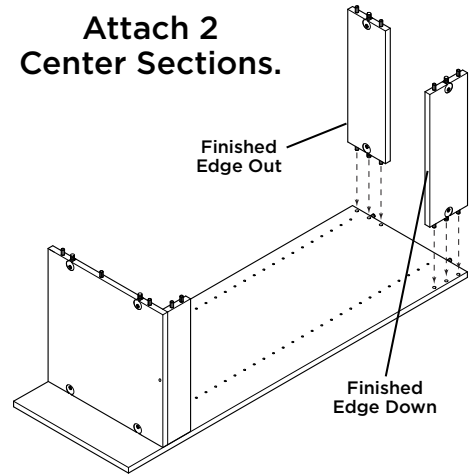
**2**

**Add Shelf/Cleat to Left Bottom Panel.**



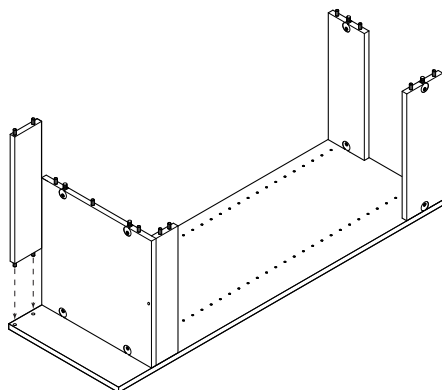
**3**

**Attach 2 Center Sections.**



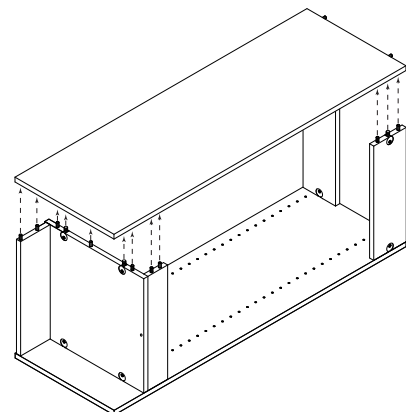
**4**

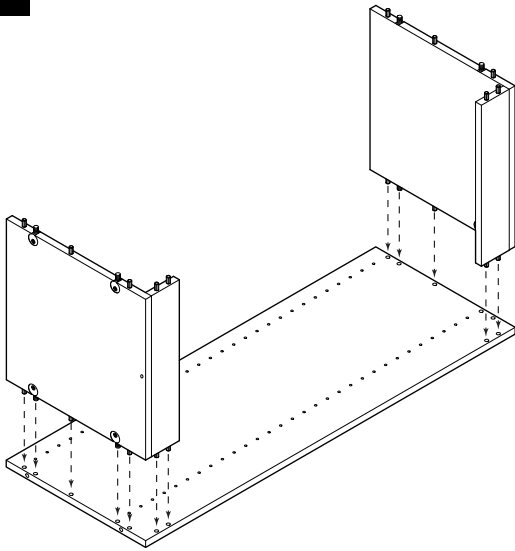
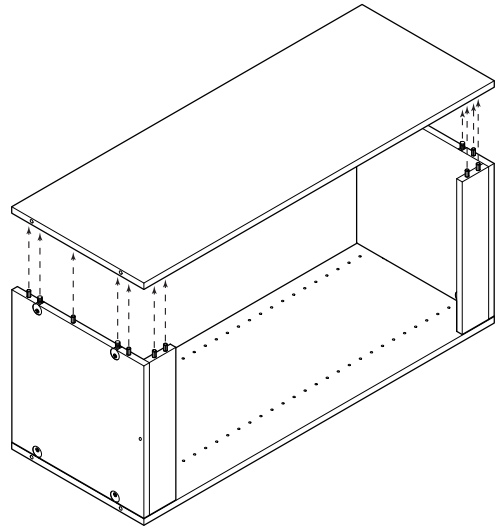
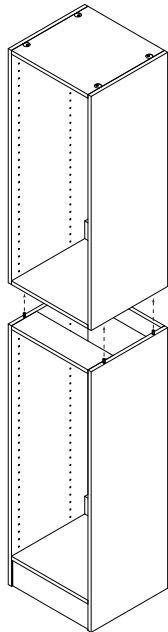
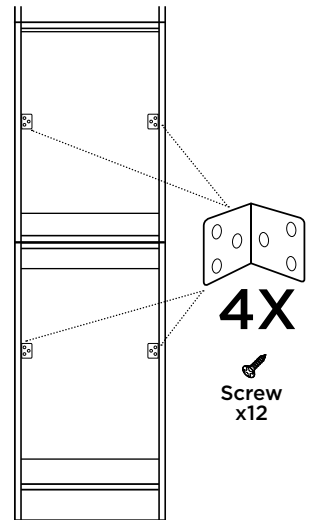
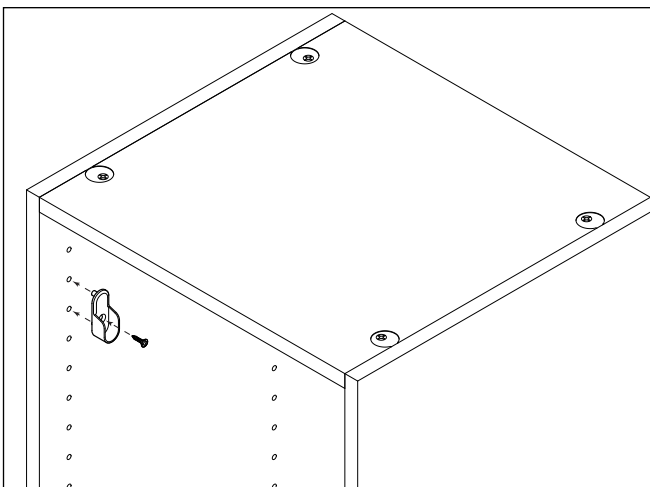
**Attach Toe Kick to panel below Shelf/Cleat.**



**5**

**Attach Right Bottom Panel to assembly and tighten all Modlocs.**



**6****Add (2) Shelf/Cleat to Left Upper Panel.****7****Attach Right Upper Panel to assembly and tighten all Modlocs.****8****Stand Lower Assembly up in place. Place Upper Assembly on to Lower Assembly.****9****Install Angle Brackets to Side Panels. (Wall screws not included)****10****Attach Rod Brackets to Upper and Lower Assembly.****11****Place Rod in Rod Brackets.**