



TABLE OF CONTENTS

---

**Product Information**

General Information.....	2
Lite Cut Information.....	3
Unit Sizing.....	4
Handing & Operation.....	5

**Options**

Divided Lite Options.....	6
Trim & Sill Nose Options.....	7
Jamb Extender and Prep for Stool Options.....	8
Mullion Options.....	9

**Sizing Details**

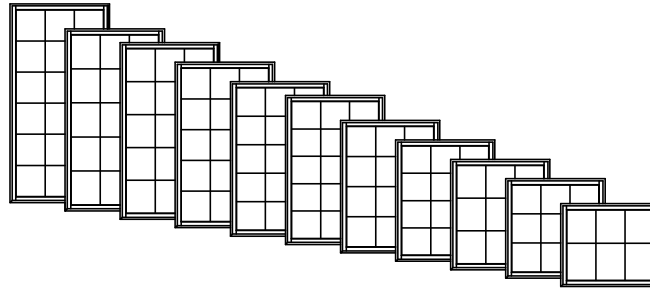
Operator Min-Max Sizing.....	10
------------------------------	----

**Section Details**

Operator:	
Vertical Section.....	11
Horizontal Section.....	12
Picture:	
Vertical Section.....	13
Horizontal Section.....	14



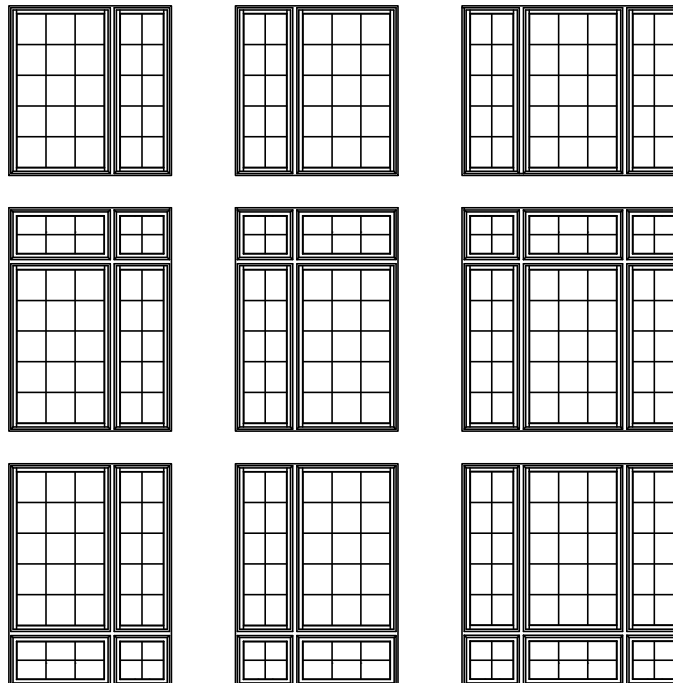
GENERAL INFORMATION



W-2500 Clad Casement windows are available with left or right hand operation, or stationary (non-venting). Operating mechanism includes corrosion resistant steel hinges and dual arm roto-type operator with hardened steel gears and operating arms. Sash locks are concealed unison type with an exposed locking lever and escutcheon plate. There are several interior hardware finish options. Refer to the Specifications for finish options. An optional traditional sash can be specified in this window. Refer to the cross sections for more details.

**Multiple Assemblies**

W-2500 Clad Casement windows may be mullied above, below, or beside other clad casement windows, or other clad window products. Factory assembled mulls are limited in height (100"), width (150").



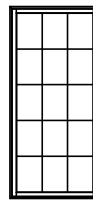


LITE CUT INFORMATION

W-2500 Clad Casement windows are available with 7/8" removable grilles, 7/8" beaded SDL, 5/8" flat GBG, or 23/32" contour GBG. Standard lite cuts are rectangular.

**Lite Cut Options**

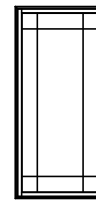
Special lite cut patterns can include a wide variety of straight line and radius patterns. The illustrations shown here represent just a few of the possibilities. Rectangular, horizontal, vertical and Prairie lite patterns are available in all standard size clad casement windows. Uneven, diamond, radius and Gothic lite cuts are available, subject to approval. Approvals are based on the ability to fulfill the design requirement while maintaining the construction integrity of the finished product.



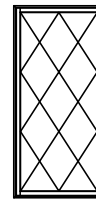
Rectangular



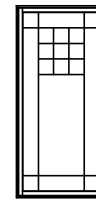
Horizontal



Prairie



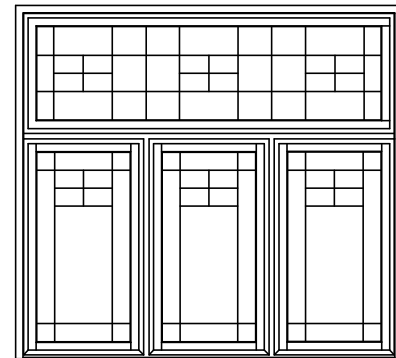
Diamond



Uneven

**Bar Alignment**

Alignment of divided lite muntin bars from one window to the next is often required by fine architectural design. Wood grilles, Grilles Between the Glass, grilles, and Simulated Divided Lites may be specified with muntin bars aligned.



## UNIT SIZING

### General Notes:

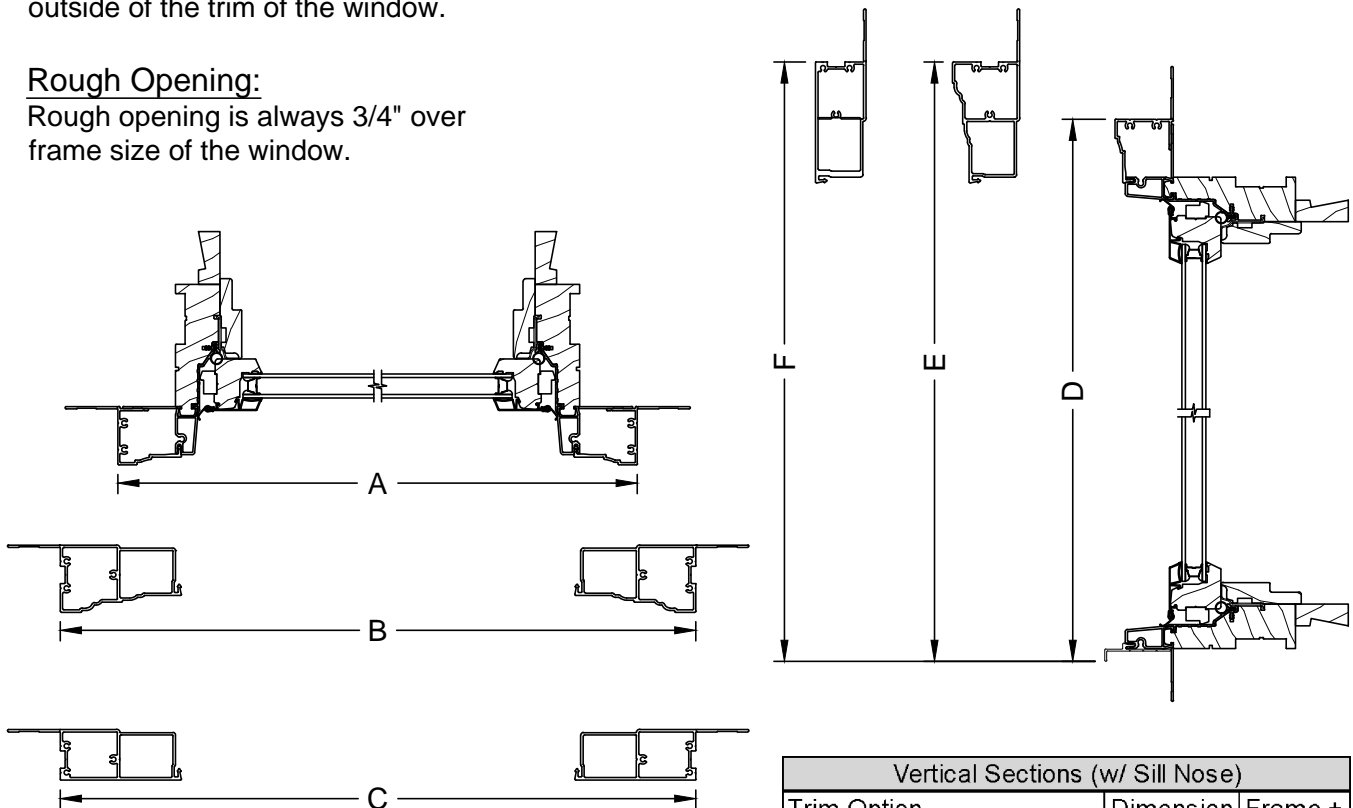
Unit size is always the maximum size of the window with or without trim and does not include nail fin.

### Masonry Opening:

Masonry opening is always 1/2" over (height and width) the unit size or the outside of the trim of the window.

### Rough Opening:

Rough opening is always 3/4" over frame size of the window.

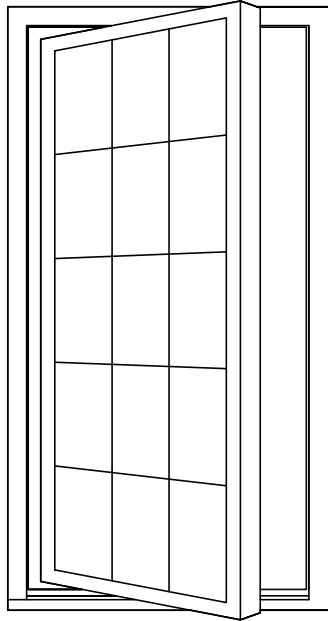


Horizontal Sections		
Trim Option	Dimension	Frame +
Brickmould	A	3"
Adams Casing	B	6"
3 1/2" Flat Casing	C	6"

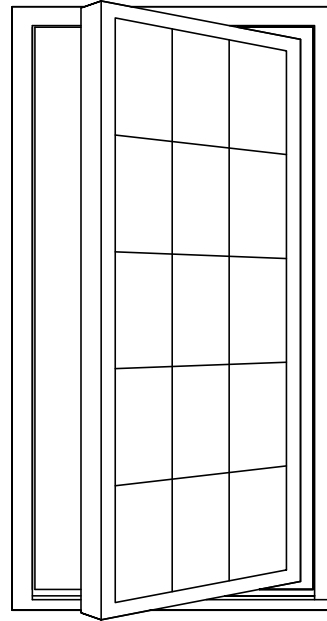
Vertical Sections (w/ Sill Nose)		
Trim Option	Dimension	Frame +
Brickmould	D	1 13/16"
Adams Casing	E	3 5/16"
3 1/2" Flat Casing	F	3 5/16"



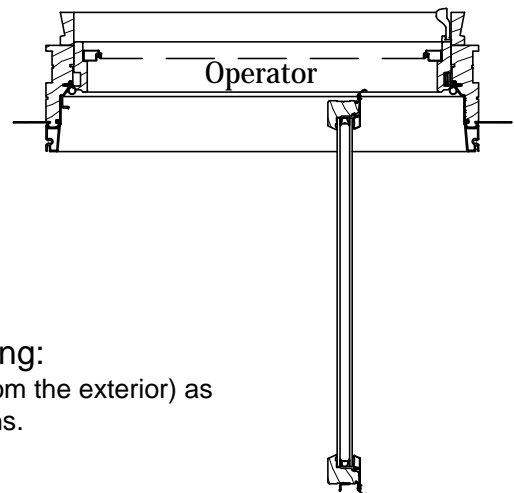
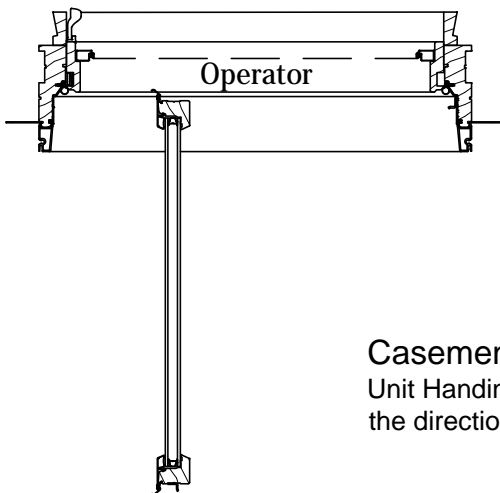
HANDING & OPERATION



Left  
Hand



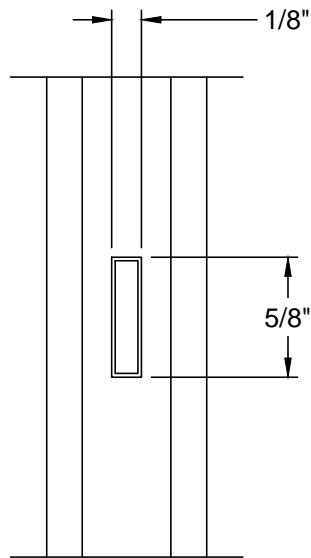
Right  
Hand



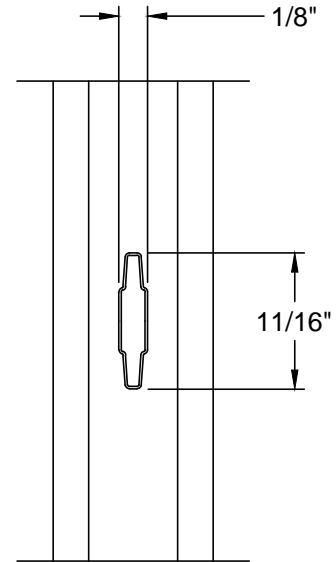
**Casement Unit Handing:**  
Unit Handing is defined (from the exterior) as  
the direction the sash opens.



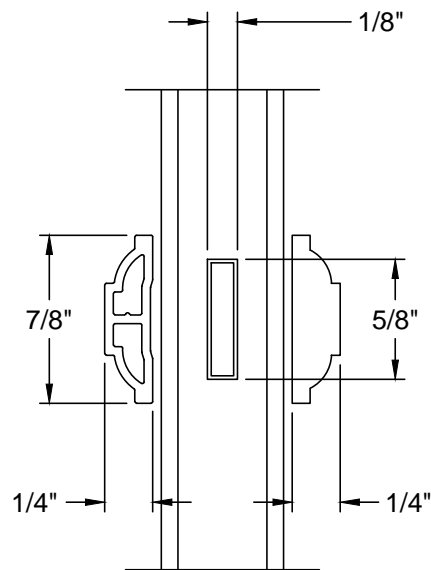
DIVIDED LITE OPTIONS



5/8" Grille



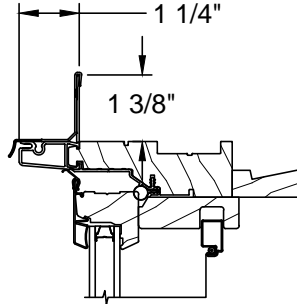
23/32" Grille



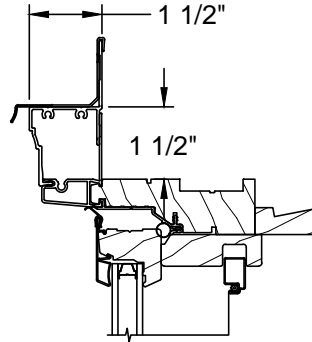
7/8" SDL



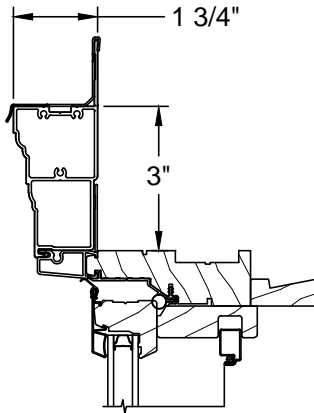
TRIM & SILL NOSE OPTIONS



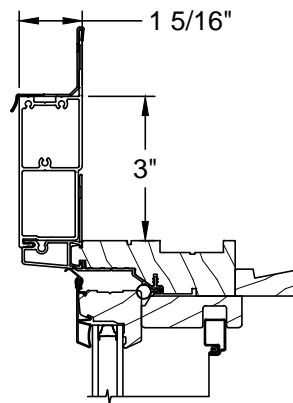
Standard



Brickmould

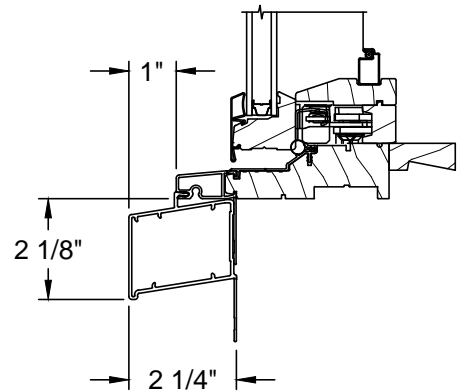
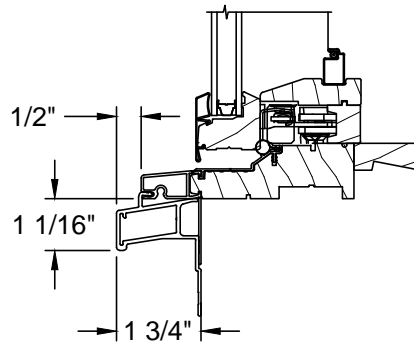
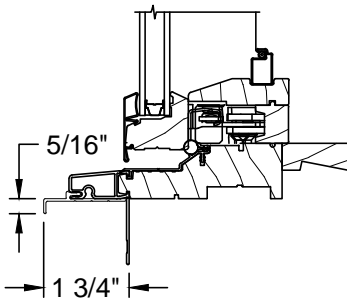


Adams  
Casing



3 1/2" Flat  
Casing

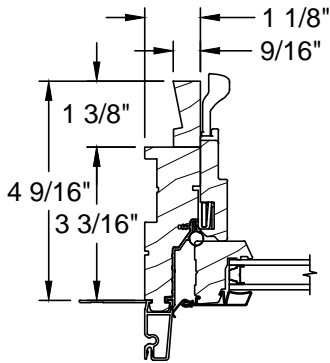
Sill Nose Options



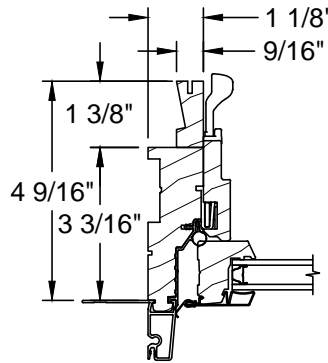


JAMB EXTENDER AND PREP FOR STOOL OPTIONS

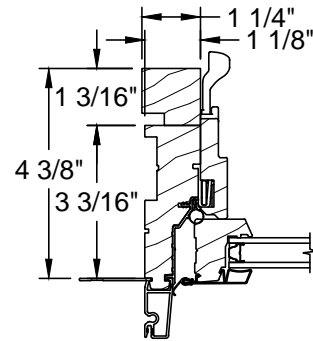
4 9/16" Wall



Standard 4/4  
Jamb Extender

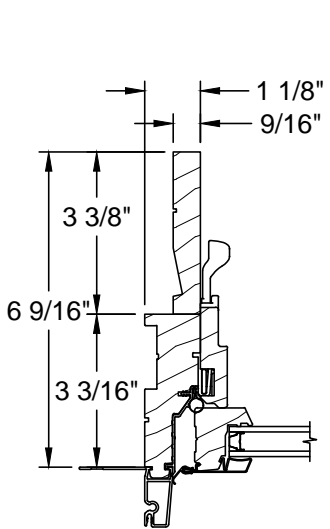


Standard 4/4  
Jamb Extender  
with 9/16" Kerf  
Option

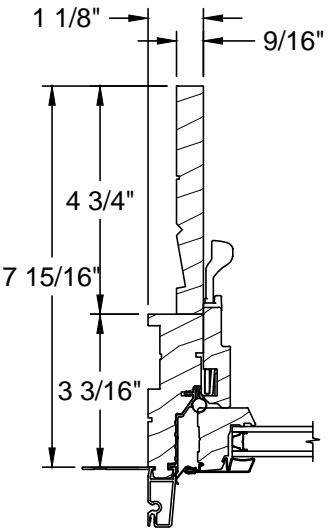


Standard  
5/4 Jamb  
Extender

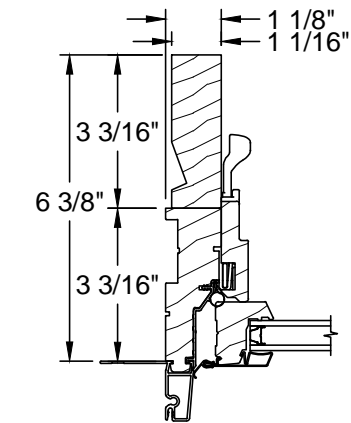
6 9/16" Wall



Standard 4/4  
Jamb Extender



7 15/16" Wall Max 1-PC  
Jamb Extender

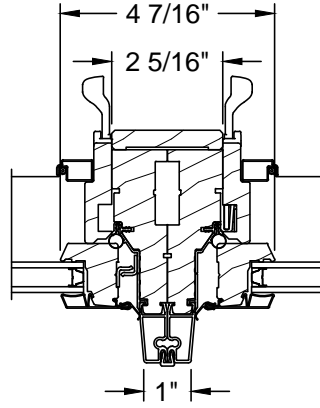


Standard 5/4  
Jamb Extender

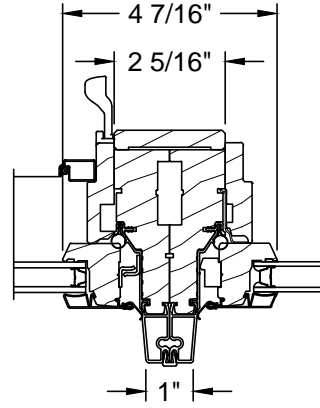




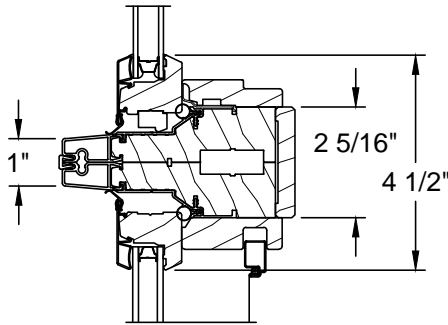
MULLION OPTIONS



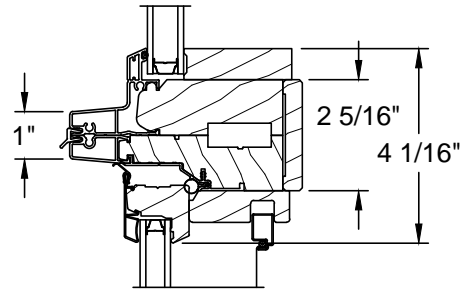
Twin Operating Casement



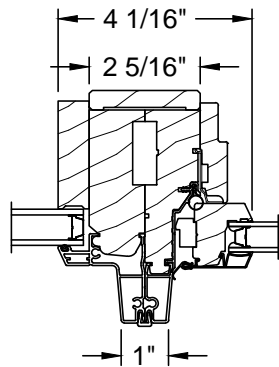
Operating Casement with Stationary Casement



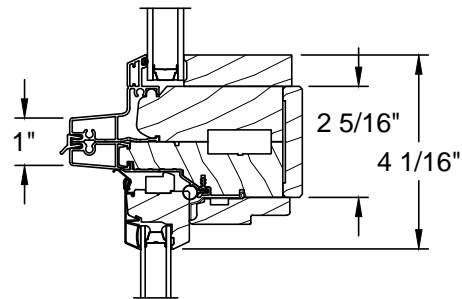
Operating Casement with Stationary Casement



Radius over Casement



Direct Set Picture next to Casement  
and/or  
Direct Set Geo next to Casement

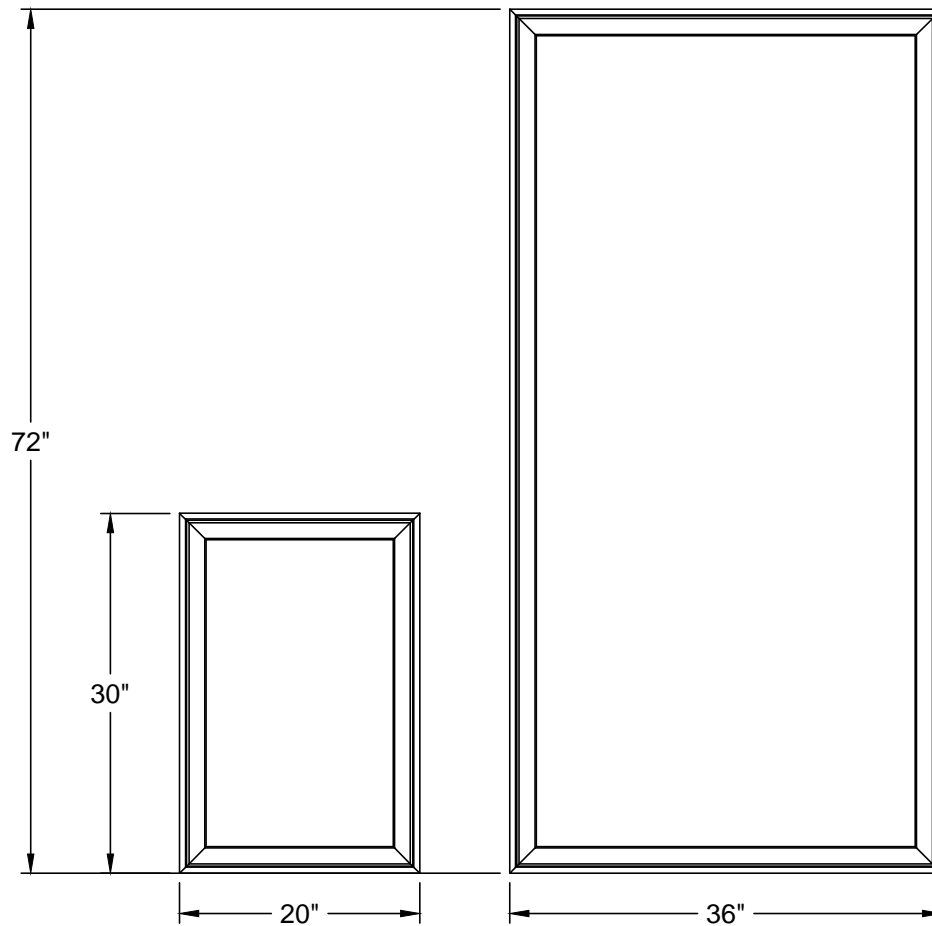


Direct Set Picture over Casement  
and/or  
Direct Set Geo over Casement



MIN-MAX SIZING

---

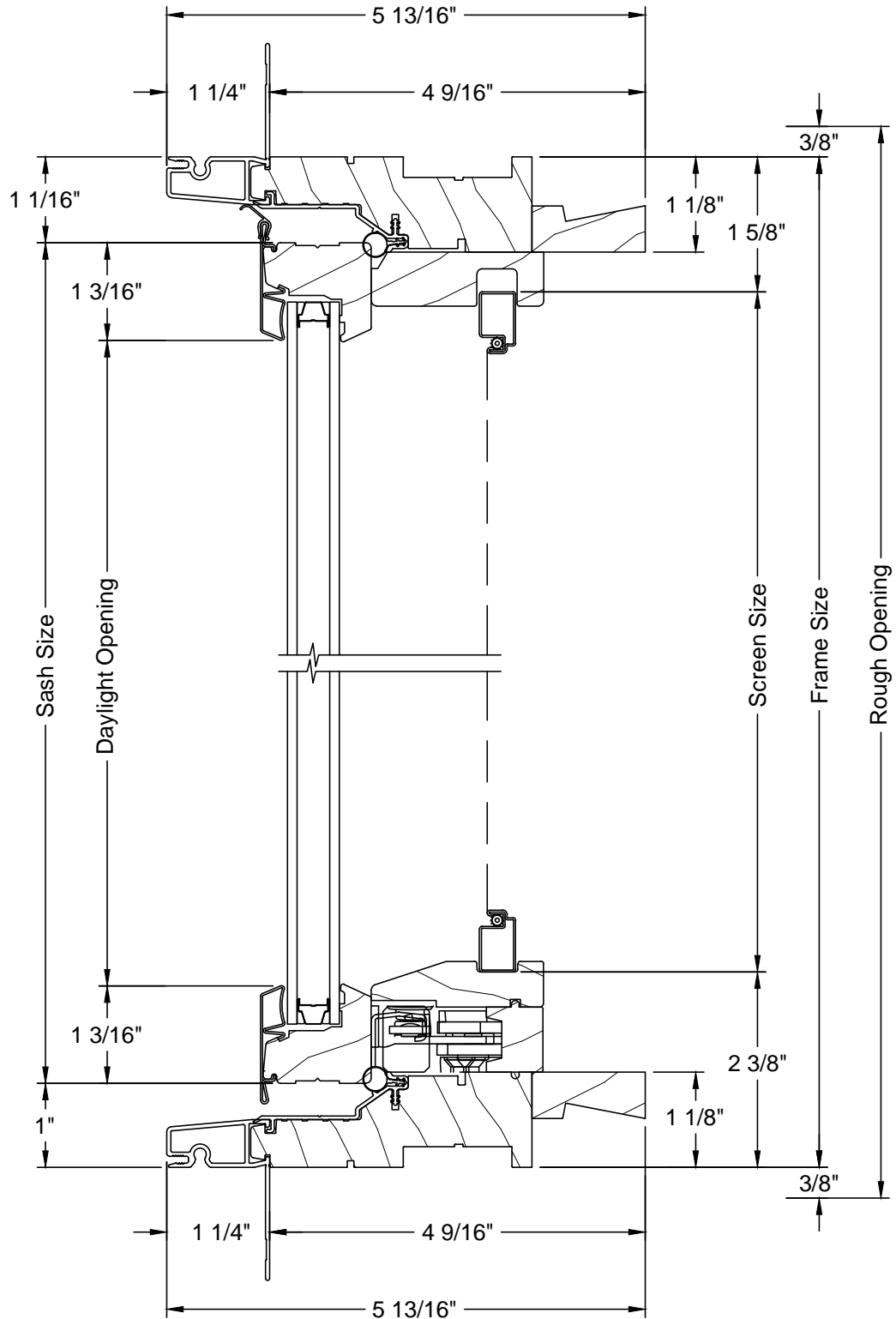


Standard widths for the W-2500 Clad Casement Window:  
20", 24", 28", 30", 36".

Standard heights for the W-2500 Clad Casement Window:  
30", 36", 40", 44", 48", 54", 56", 60", 64", 66", 72".

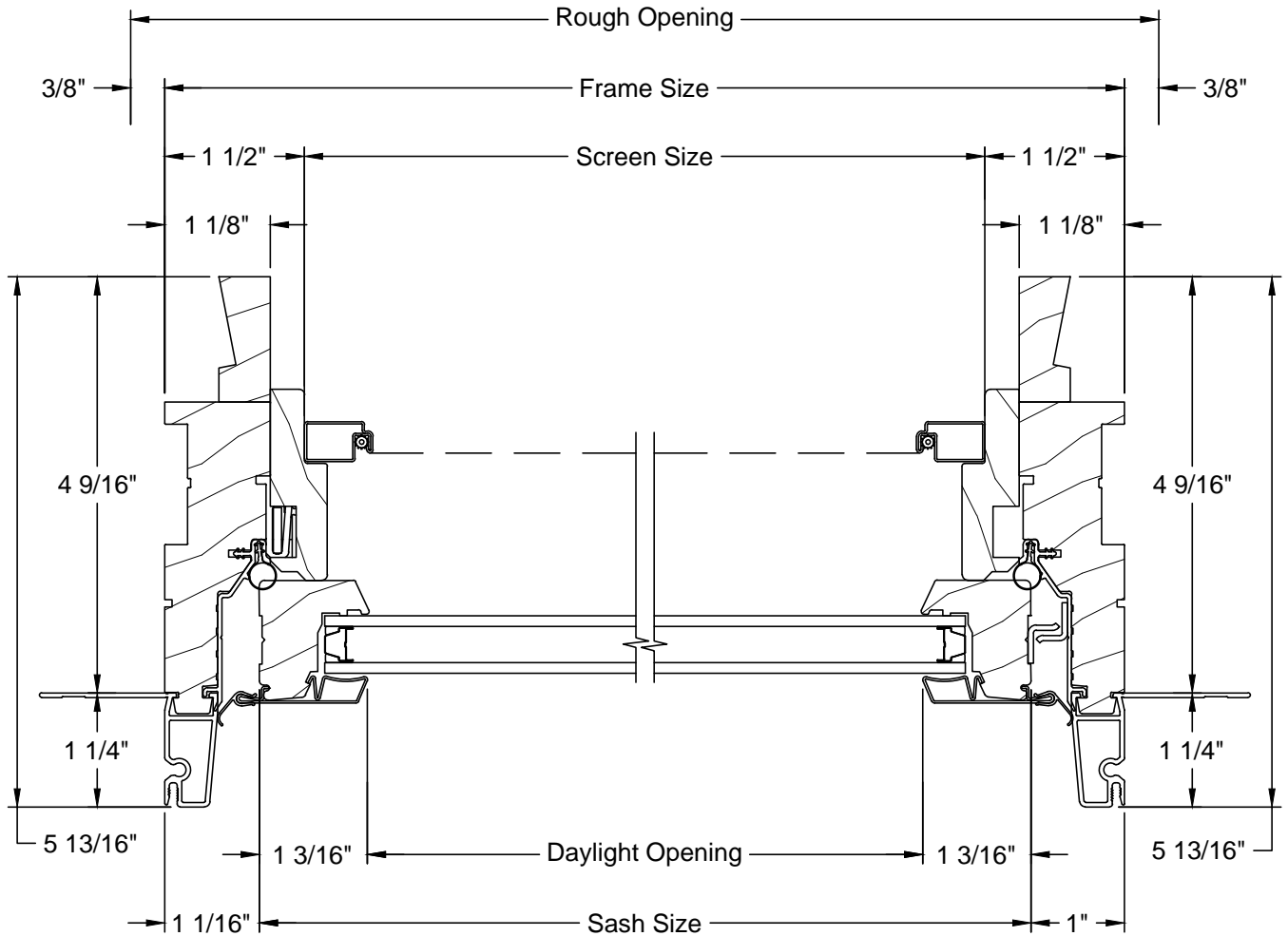


OPERATOR - VERTICAL SECTION



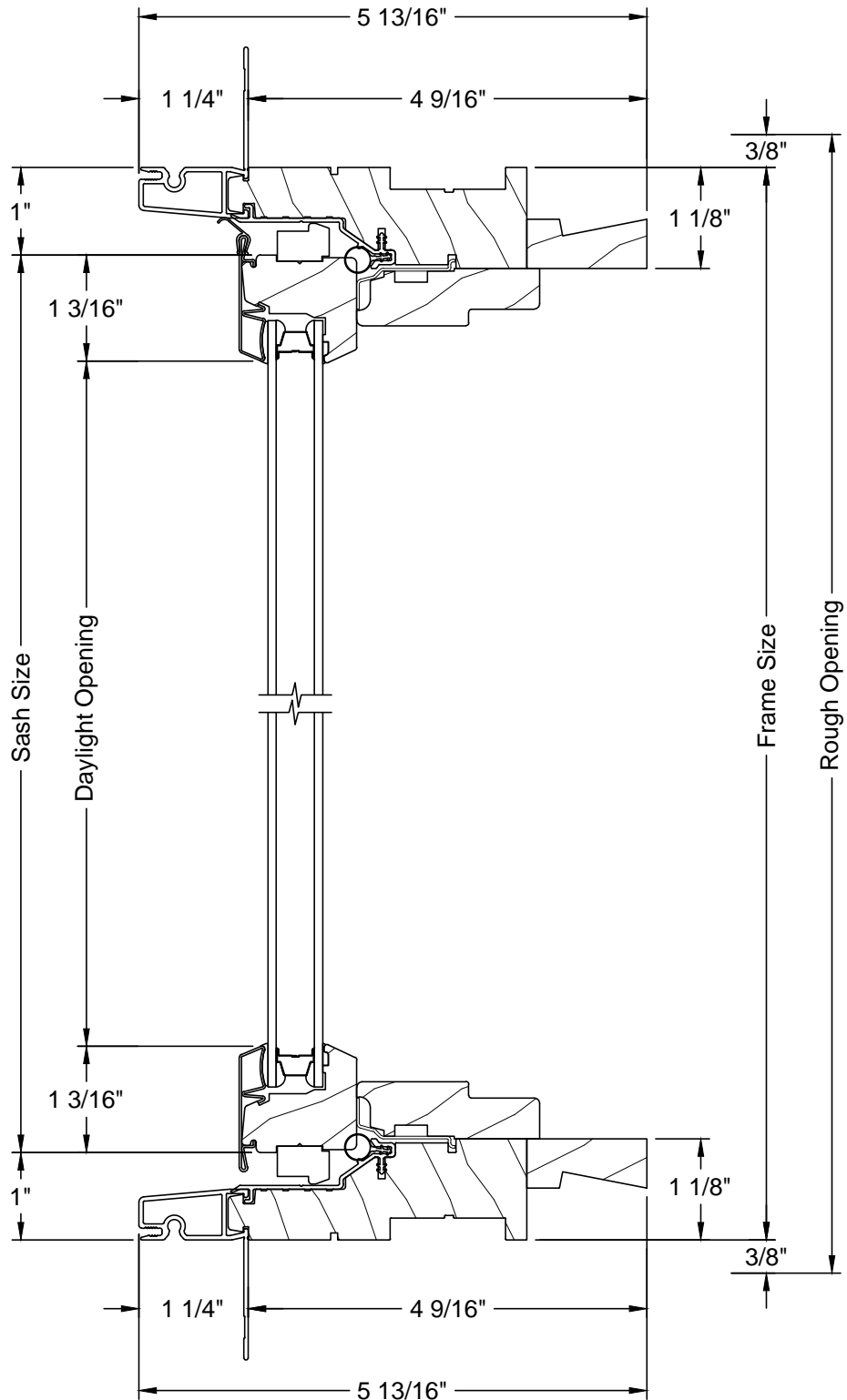


OPERATOR - HORIZONTAL SECTION





PICTURE - VERTICAL SECTION





PICTURE - HORIZONTAL SECTION

