

# WYNDHAM COLLECTION

## SUGGESTED TOOLS AND MATERIALS



Philips Screwdriver



Sealant



Tape Measure



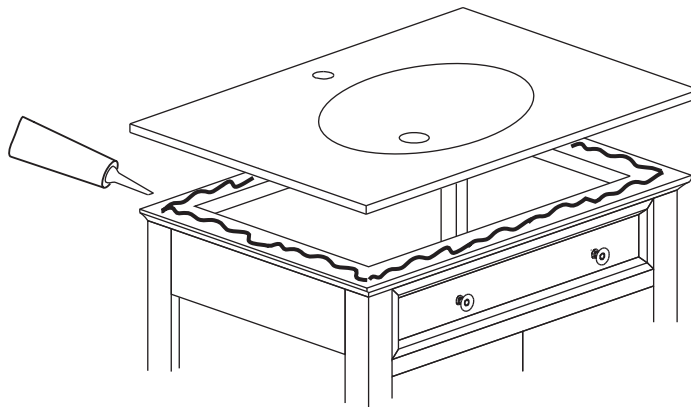
Safety Glasses

## COUNTERTOP INSTALLATION

for countertops with integrated sinks or pre-attached sinks

1

Apply bead of quality sealant evenly  
along the top of the vanity



**\*\* NOTE:** Sink style, shape, faucet holes, and vanity may vary from the picture above. Instructional purposes only.

## CARE AND CLEANING

For best results in caring for your countertop, we suggest:

- Always wipe off spills immediately.
- Seal natural stone (including marble and granite) countertops regularly with a good quality stone sealer.
- Never use strong / abrasive cleaners. Always test your cleaning solution on unnoticeable areas before applying to the entire surface.
- Wipe surfaces clean, immediately after applying cleaner.
- Do not allow cleaner to sit or soak. Never let cleaners sit on the surface for long periods of time.
- Use a soft, dampened sponge and cloth. Never use an abrasive material such as brush or scouring pad to clean surfaces. They will scratch the surfaces.
- Always rinse and wipe clean the fixtures to prevent soap buildup.