

# STANLEY®



## 1600 PSI ELECTRIC PRESSURE WASHER ASSEMBLY, CARE AND USE INSTRUCTIONS Model SHP 1600

READ CAREFULLY

**IMPORTANT:**  
RETAIN THESE INSTRUCTIONS AND ATTACH RE-  
CEIPT TO MANUAL FOR FUTURE REFERENCE.

ALWAYS WEAR EYE PROTECTION TO PREVENT  
INJURY TO EYES WHEN OPERATING THE POWER  
WASHER.



### Questions, problems, missing parts?

Before returning to your retailer, call our  
customer service department at 1-866-508-1330,  
8 a.m. - 5:00 p.m., CST, Monday - Friday.  
[www.stanleypressurewashers.com](http://www.stanleypressurewashers.com)

93902-KP

© 2016 Stanley Black & Decker, Inc.  
STANLEY® and the STANLEY® logo are trademarks of Stanley Black & Decker, Inc.  
or an affiliate thereof and are used under license.

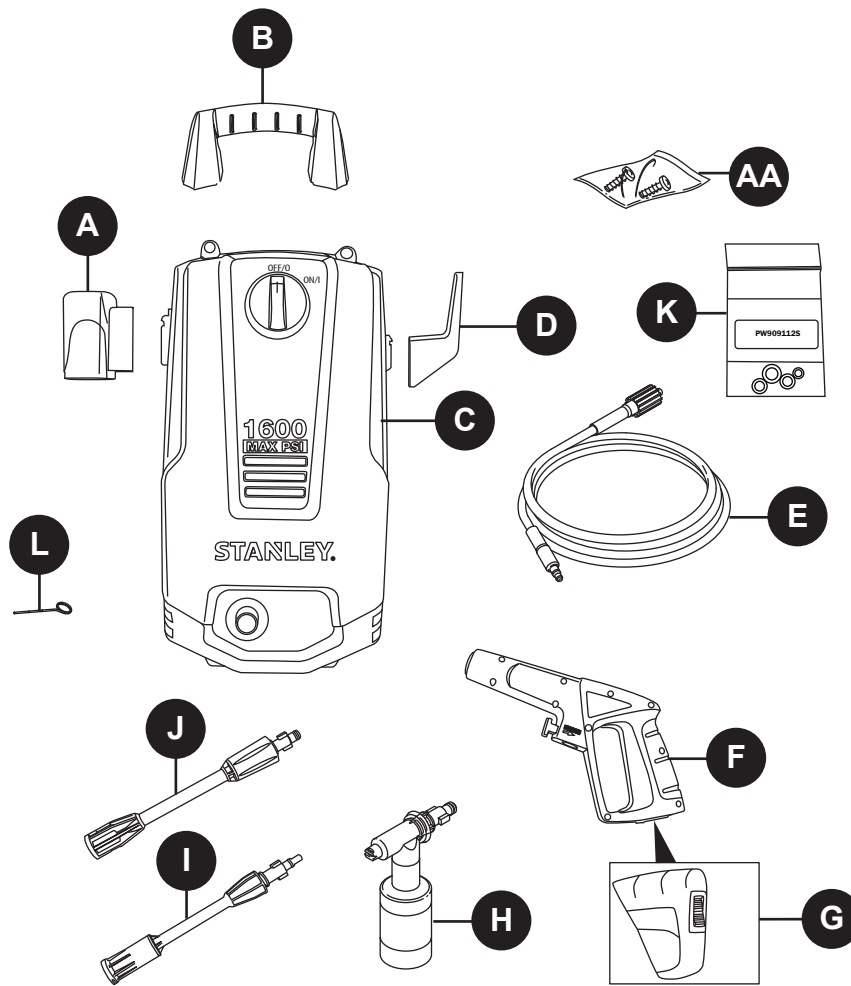
## TABLE OF CONTENTS

Product Specifications .....	2
Package Contents .....	3
Hardware Contents .....	3
Safety Information .....	4
Assembly Instructions .....	6
Operating Instructions .....	10
Care and Maintenance .....	12
Troubleshooting .....	14
Limited Warranty .....	15
Replacement Parts List .....	16

## PRODUCT SPECIFICATIONS

SPECIFICATIONS						
Model	Max PSI (lbs/sq. in.)	Max GPM (Gal/per min)	Cold Water	Volts	Amps	Weight (lbs.)
SHP 1600	1600	1.3	✓	120	12	15

## PACKAGE CONTENTS



PART	DESCRIPTION	QUANTITY
A	Spray Gun Holster	1
B	Handle	1
C	Power Washer Unit	1
D	Cord Hook	1
E	Soft PVC High Pressure Hose	1
F	Spray Gun	1
G	Spray Gun Lock/Unlock	1

PART	DESCRIPTION	QUANTITY
H	Detergent Bottle	1
I	Variable Spray Nozzle Lance	1
J	Extension Lance	1
K	O-Ring Replacement Kit	1
L	Nozzle Cleaning Wire	1
AA	Screws	2

## HARDWARE CONTENTS

AA



Screw  
Qty. 2

**Note:** Screws are located in manual package

## SAFETY INFORMATION

Please read and understand this entire manual before attempting to assemble, operate, or install the product.

This manual contains information that relates to PROTECTING PERSONAL SAFETY and PREVENTING EQUIPMENT PROBLEMS. It is very important to read this manual carefully and understand it thoroughly before using the product. The symbols listed below are used to indicate this information.



### DANGER

Potential hazard that **will result in serious injury or loss of life.**



### WARNING

Hazard that **could result in serious injury or loss of life.**



### CAUTION

Potential hazard that **may result in moderate injury or damage to equipment.**

**Note:** The word “Note” is used to inform the reader of something the operator needs to know about the tool.



### WARNING

To reduce the risk of injury, the user must read and understand the instructions before using this product.

1. Warning – When using this product basic, precautions should always be followed, including the following
2. Read all the instructions before using the product
3. Know how to stop the product and bleed pressures quickly. Be thoroughly familiar with the controls.
4. Keep operating area clear of persons
5. Do not overreach or stand on unstable support. Keep good footing and balance at all times.
6. Follow the maintenance instructions as specified in the manual
7. To avoid personal injury and/or damage to property and to maximize your power washing experience, carefully follow all of the safety tips, instructions, warnings and safeguards and become familiar with all of the controls.
8. This power washer conforms to CSA and other safety and consumer standards. **DO NOT** modify or rebuild any part of your power washer.

9. **DO NOT** use your power washer when you are under the influence of alcohol or drugs. Use this power tool carefully and only when you are alert.
10. Watch your balance and footing while using your power washer. Surfaces become slippery when wet and are extra slippery when using a detergent or cleaner.
11. **NEVER** operate the power washer in bare feet, sandals, or open-toed shoes.
12. When using the power washer near children, make sure they are closely supervised by an adult to avoid injury. **NEVER** let a child use the power washer.
13. Keep fingers, hands, feet and any part of your body clear of the stream of high pressure water. The powerful spray can cause blindness or blast holes in the skin. It can break a window if you are too close when you pull the trigger on the spray gun.
14. **ALWAYS** wear eye protection to prevent injury to eyes when operating the power washer.
15. To avoid mishaps or injury, **ALWAYS** use the trigger safety lock when not using the power washer even if the spraying stops for a moment.
16. The power washer is equipped with a Ground Fault Circuit Interrupter (GFCI) which greatly reduces the chance of electric shock while the unit is in use. If replacement of the plug or cord is needed, use only identical replacement parts.
17. Point the spray gun in a safe direction when beginning a power washing session.
18. **NEVER** spray directly at a person, animal, electrical device or the unit itself.
19. When first using the spray gun, hold the spray gun and lance with two hands when pulling the trigger (one hand to pull the trigger and the other to stabilize the gun assembly) until you get used to the “kickback” from the spray gun.
20. When you press the power switch to turn off the power washer, water pressure may remain in the system. To discharge the pressure, point the spray gun in a safe direction and pull the trigger.
21. **NEVER** spray flammable liquids.
22. **NEVER** use the power washer in areas that contain combustible dust, liquids or vapors.
23. Avoid contact of the pressure hose with sharp objects and examine the hose regularly. Replace if damaged. Due to the high pressure involved, it cannot be repaired if cut or damaged.
24. Only use detergent specifically formulated for power washers and follow instructions on the detergent’s label.
25. Protect eyes, lungs, and skin from exposure to

## SAFETY INFORMATION

detergent. Dish or laundry soap is too thick and will clog the nozzle of your detergent bottle.

**IMPORTANT:** Store the power washer indoors to prevent the water in the unit from expanding under freezing conditions. When the water freezes and expands, your power washer will be damaged and become inoperable. Or, if storing outdoors, it is recommended you use pump saver (not included) to protect pumps.

26. **NEVER** use hot water with your power washer. It will overheat and damage the high pressure pump.
27. **NEVER** leave the power washer unattended while it is powered "ON".
28. **ALWAYS** turn the water supply "ON " before turning the power washer power to "ON". Running the pump dry will cause damage to the internal components.
29. **NEVER** use a water supply to your power washer that exceeds 150 PSI maximum.

30. **NEVER** disconnect the high pressure hose from the power washer while the system is pressurized.
31. **NEVER** permanently engage the trigger mechanisms on the spray gun.
32. **NEVER** operate the power washer unless all components are properly and securely connected.
33. **NEVER** allow the power washer pump to run for more than one minute after you have turned off the water supply. This can cause the motor and pump to overheat and fail.
34. **NEVER** use lances or other parts that are not compatible for this specific Stanley unit.
35. **NEVER** use an extension power cord since it defeats the effectiveness of the GFCI and increases the chance of electrocuting the operator.
36. **NEVER** spray any electrical outlet with your power washer.
37. Inspect the power cord before using. **DO NOT** use it if it is damaged.

## KEEP THESE INSTRUCTIONS FOR FUTURE REFERENCE.

### Servicing of a Double-Insulated Appliance

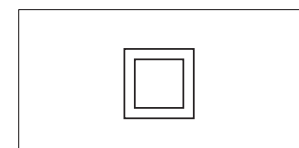
Ground Fault Circuit Interrupter Protection:

This pressure washer is provided with a ground-fault circuit-interrupter (GFCI) built into the plugs of the power-supply cord. This device provides additional protection from the risk of electric shock. Should replacement of the plug or cord become necessary, use only identical replacement parts that include GFCI protection.

In a double-insulated product, two systems of insulation are provided instead of grounding. Grounding means are not provided for a double insulated product, nor should grounding means be added to the product. Servicing a double-insulated product requires extreme care and knowledge of the system, and should only be done by qualified service personnel.

Replacement parts for a double-insulated product must be identical to the original parts.

A double-insulated product is marked with the words "Double Insulation" or "Double Insulated". Product may also be marked with symbol shown here.



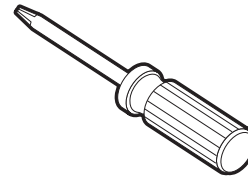
**Double Insolated Product**

## PREPARATION

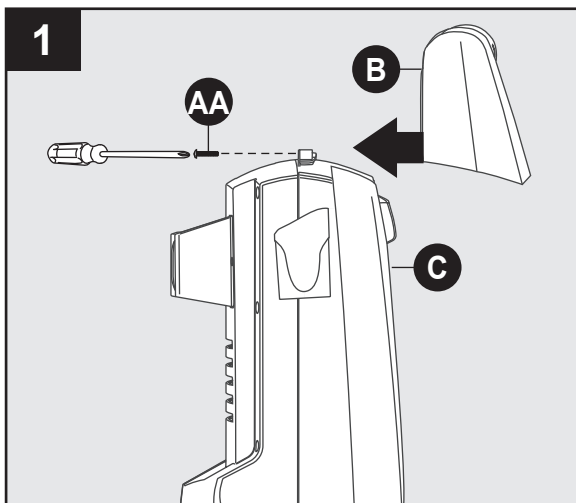
Before beginning assembly of product, make sure all parts are present. Compare parts with package contents list and hardware contents list. If any part is missing or damaged, DO NOT attempt to assemble the product.

Estimated Assembly Time: 5 minutes

Tools Required for Assembly (not included): Phillips screwdriver



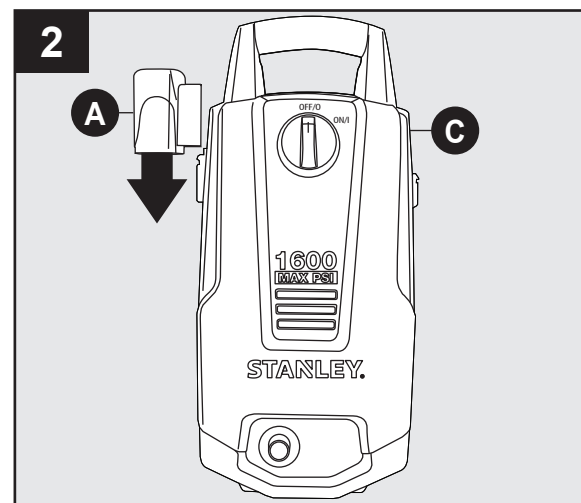
## ASSEMBLY INSTRUCTIONS



### Power Unit Assembly

Install handle (B) to power washer unit (C). Secure with screws (AA).

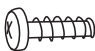
**Note: DO NOT** use a power screwdriver. When the screw is completely tight, give a small final clockwise twist of the screwdriver. **DO NOT** overtighten.



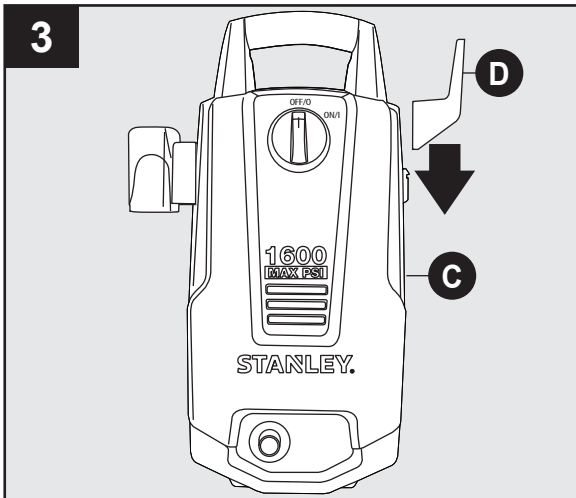
Slide spray gun holster (A) onto left side, when facing unit, of power washer unit (C) as shown.

**Note:** This step does not require any screws.

### Hardware Used:

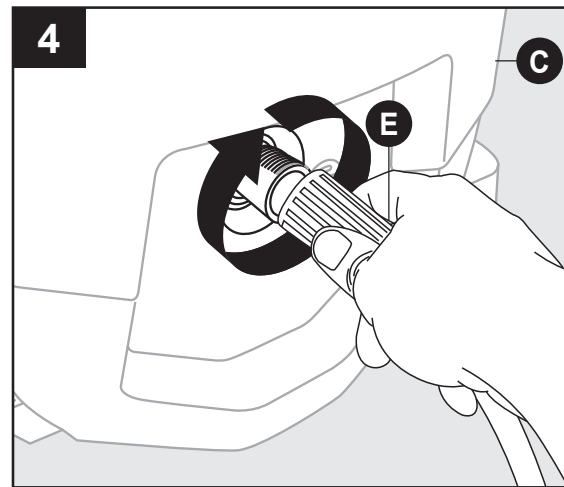
**AA** Screw  x 2

## ASSEMBLY INSTRUCTIONS



Slide cord hook holster (D) onto right side, when facing unit, of power washer unit (C) as shown.

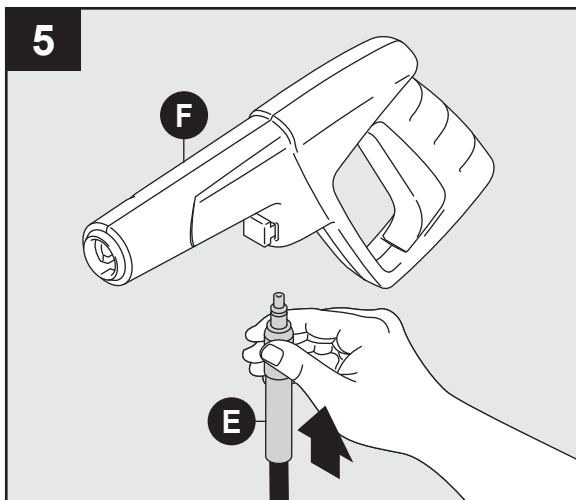
**Note:** This step does not require any screws.



### Soft PVC High Pressure Hose Assembly

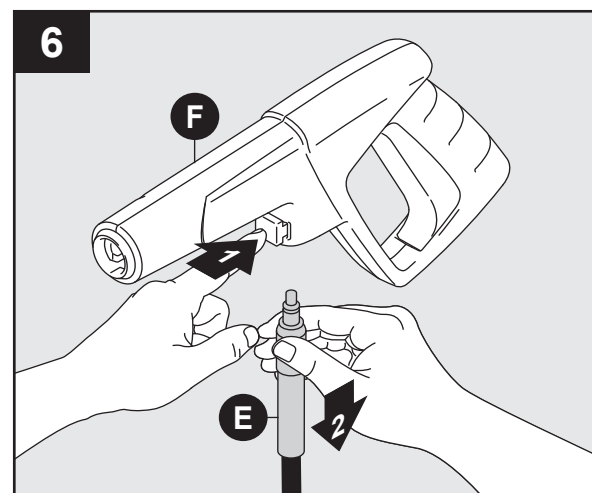
Screw Soft PVC high pressure hose (E) clockwise onto bottom front of power washer unit (C). Pull back collar and insert o-ring post into water outlet far enough so collar can thread onto outlet threads until hand tight. If it takes fewer than six turns you have not properly tightened the Soft PVC high pressure hose fitting. It is easier to position the power washer in front of you to ensure that the threads are started correctly. Failure to properly tighten Soft PVC high pressure hose will result in the hose slipping or popping off immediately upon turning unit on. Do not worry about damage if this occurs—just reinstall and take extra care when screwing on the Soft PVC high pressure hose fitting.

**Note:** **DO NOT** use pliers or locking pliers to tighten.



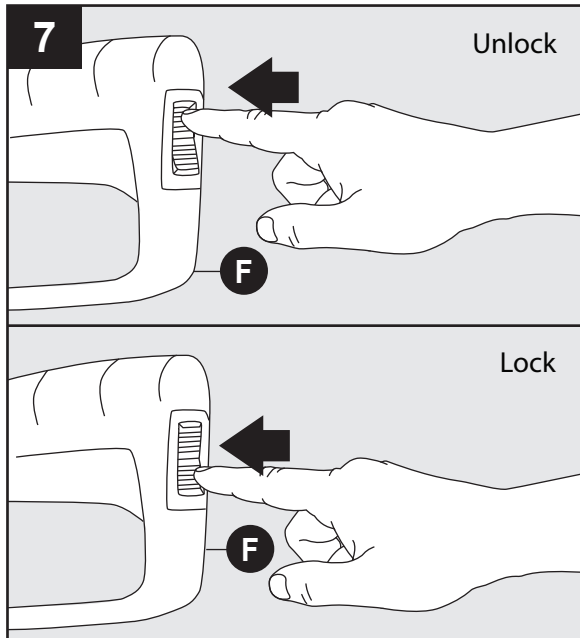
Connect the other end of Soft PVC high pressure hose (E) to spray gun (F) by inserting the silver metal tip of Soft PVC high pressure hose into the fitting just ahead of trigger guard. It will lock into spray gun with a "click". Confirm hose is locked into spray gun by slightly pulling on hose. The hose is now securely attached to spray gun.

**Note:** **DO NOT** press button on underside of gun when connecting hose to gun.



To release hose (E) from spray gun (F), press button on underside of gun toward trigger guard. The hose will slide out from connection.

## ASSEMBLY INSTRUCTIONS

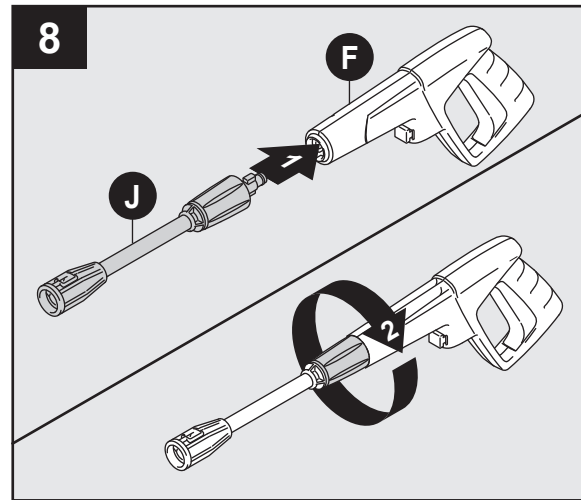


### Locking Spray Gun (before Lance installation)

To lock trigger of spray gun (F), point gun away from you and press bottom half of lock button to engage lock. Squeeze or pull trigger to make sure it is locked.

**ALWAYS** leave lock button in locked position when not in use. This ensures the gun is in "safe" mode until it is ready for use. To unlock, press top half of lock button to release.

**Note:** The trigger lock prevents trigger from being accidentally engaged.



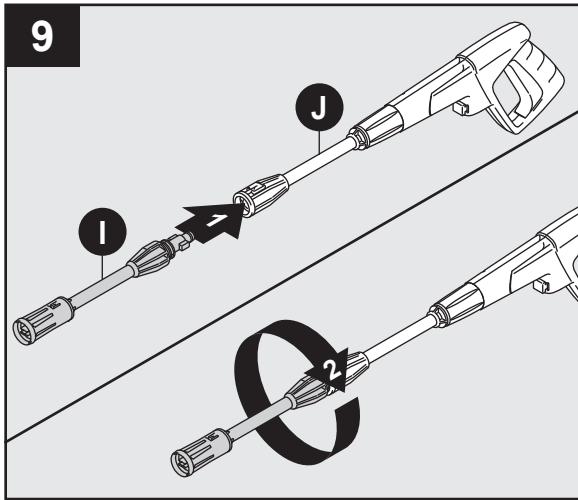
### Extension Lance installation

With spray gun (F) in locked position, attach extension lance (J) directly to spray gun. Insert lance extension into gun, pushing together and turning clockwise simultaneously. Turn the extension collar clockwise to lock into place. To remove extension lance (J), turn extension collar counterclockwise to unlock, then push together and turn counterclockwise to release.

**Note:** The extension lance must be inserted in gun before using any of the other attachments, and in place for storage. It is recommended that once extension is connected to leave it in place.



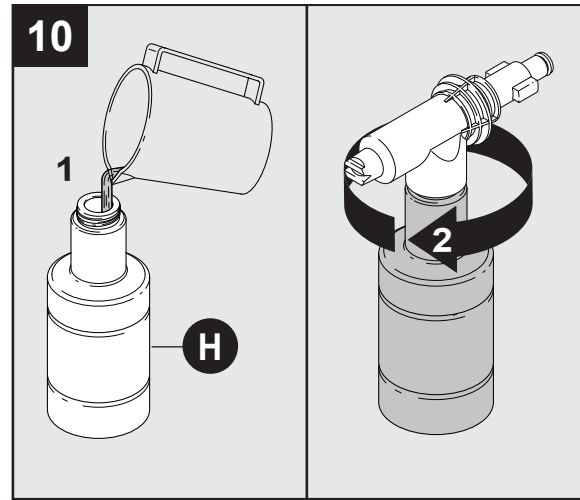
## ASSEMBLY INSTRUCTIONS



### Variable Spray Nozzle Lance installation

Insert variable spray nozzle lance (I) or detergent bottle (H) into the end of the extension lance by inserting and pushing together turning clockwise simultaneously. To remove push together and turn counterclockwise.

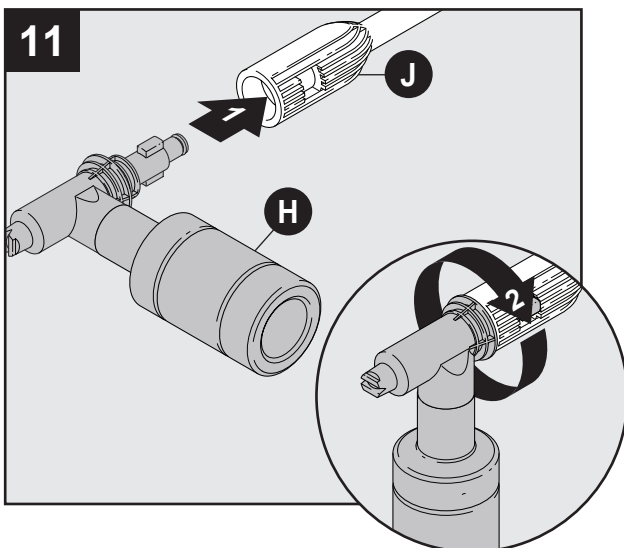
**Note:** Push the safety lock button to lock the trigger when changing lances to ensure that they do not accidentally eject with force during removal.



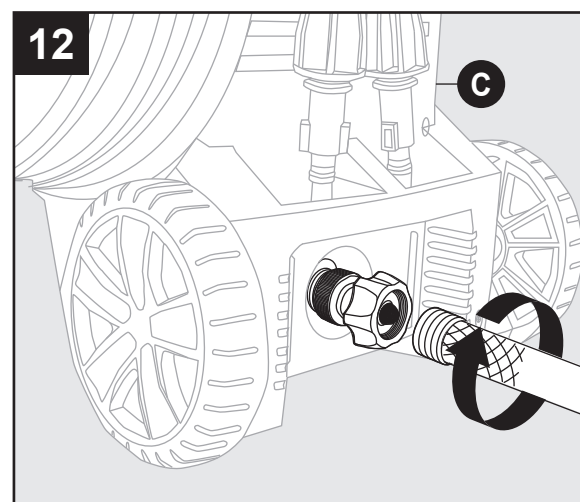
### Detergent Bottle Installation

The detergent bottle comes with a straw which is fitted into screw-on top. If you do not see the straw, look inside the bottle and attach it to the screw-on top. When using detergent bottle, fill it with a properly formulated detergent or cleaner with a water ratio according to instructions on the container.

- Pressure washer detergents are recommended. See page 13 for more information.
- **DO NOT** use thick or gel-like detergents as they will clog the power washer and can cause damage.



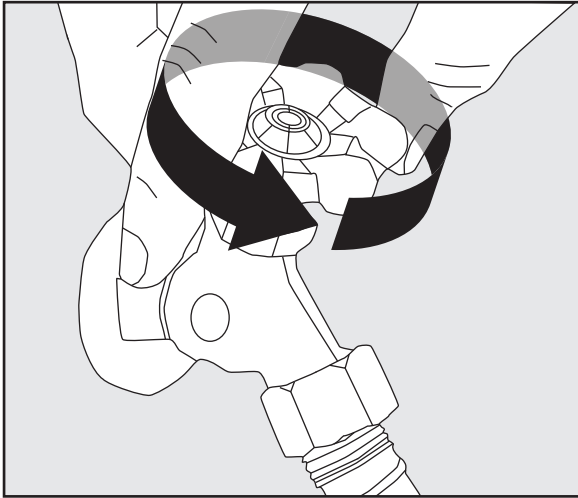
Insert detergent bottle (H) into extension lance (J), push in and turn clockwise



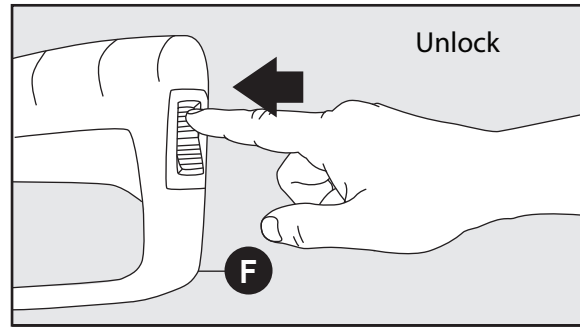
Attach a garden hose to built in garden hose adapter located on the back of the power washer unit (C). The water is now connected to your power washer.

**Note:** Flush out garden hose before connecting to garden hose adapter.

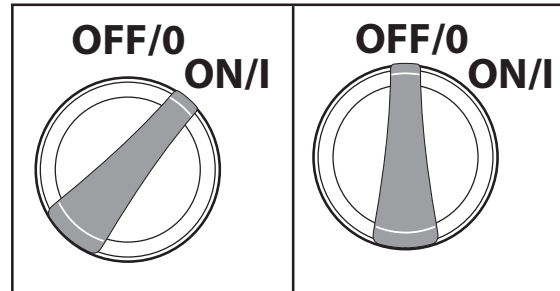
## OPERATING INSTRUCTIONS



- Turn on water supply at the faucet to completely open.
- Make sure the "ON/OFF" switch is in the "OFF" position. The power switch has international symbols for 'on' and 'off': On (I) Off (O).
- Unwind the power cord completely and plug the GFCI into a grounded 120 volt outlet.
- Release the safety lock button on the spray gun by pressing the top half of the safety lock button. While pointing the spray gun in a safe direction, squeeze the trigger on the spray gun until there is a steady stream of water, letting the water and air out of the hose.

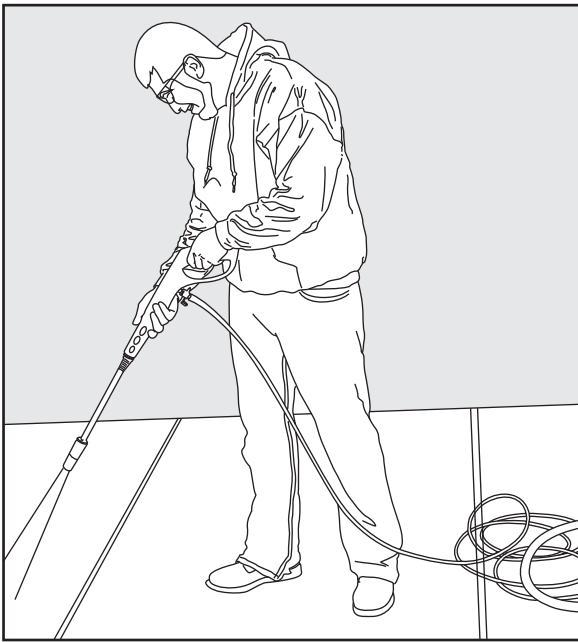


- Turn the power switch to the "ON" (I) position. The unit will turn on for 1 - 2 seconds and shut off. This is a normal function of the auto start feature. Squeeze the spray gun trigger to begin pressure washing.



## OPERATING INSTRUCTIONS

- Begin power washing by squeezing the trigger on the spray gun all the way into the handle.
- Release the spray gun trigger to stop the power washer.
- Allow the motor to come to a complete stop before squeezing the trigger again.
- Squeezing rapidly will cause the auto start feature to miss an on/off cycle that may prevent it from turning on while squeezing trigger after rapid squeezing. Use slow deliberate trigger pulls to avoid such symptoms.



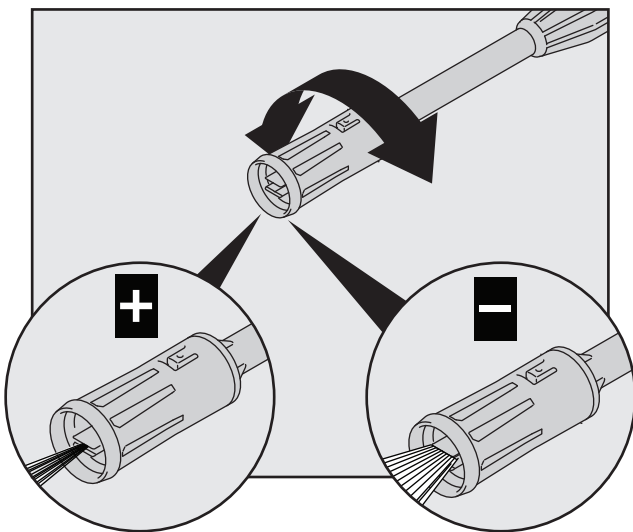
### Operation Tips

- If you hear the motor run intermittently when the trigger is not being squeezed, that is normal. The pump is priming itself so it is ready to operate when the trigger is squeezed. Turn off the power washer if not being used after five minutes.
- The o-rings on the bayonet end of the nozzle should be cleaned regularly and lubricated with non-water soluble grease such as petroleum jelly.
- Keep the nozzle cleaning wire for use in unclogging the nozzle. If you lose the cleaning wire, a straightened paper clip also works.

### How to Avoid Damaging Surfaces

- Damage to surfaces being cleaned occurs because the impact force of the water pressure exceeds the durability of the surface. Bare wood can be penetrated; paint can be peeled off, etc. You can vary the force of your power washer by controlling:
  1. The angle of the surface being cleaned
  2. The distance of the nozzle from the surface being cleaned
- **NEVER** use a narrow high pressure stream of water on soft surfaces susceptible to damage.

- **Always test** a small area to avoid chance of damaging the surface.



- When using the variable spray nozzle, the spray pattern and intensity can be adjusted for each task by twisting the spray nozzle at the far end of the lance.

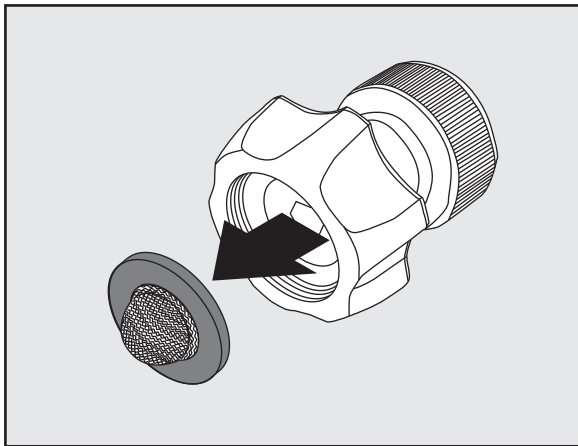
## CARE AND MAINTENANCE

### Detergents

- Use detergents designed for power washers. These can be purchased online at our website [www.stanleypressurewashers.com](http://www.stanleypressurewashers.com). Hardware stores or home centers also have power washer detergents for different cleaning projects. The cleaning solution should be the consistency of water in order to prevent clogging your detergent bottle and nozzle.
- This system applies detergent under low pressure. The cleaning power of the detergents is enhanced when applied with low pressure and enough time is given to break down dirt and grime. The combination of low pressure and chemical action is very effective and can be better than scrubbing if applied properly. ALWAYS spray detergent on a dry surface. DO NOT pre-soak area. Wetting the surface first dilutes the detergent and reduces its cleaning ability. DO NOT allow detergent to dry on surface. On vertical surfaces being cleaned, apply detergent to lower surfaces and work your way up to prevent detergent from causing streaks in the dirt and grime. Rinse detergent by pressure washing from bottom up for same reason.
- If a stain is particularly tough, it may be necessary to reapply the detergent and use a bristled brush to scrub the stain. Subsequent power washing after brushing should successfully complete your cleaning job.

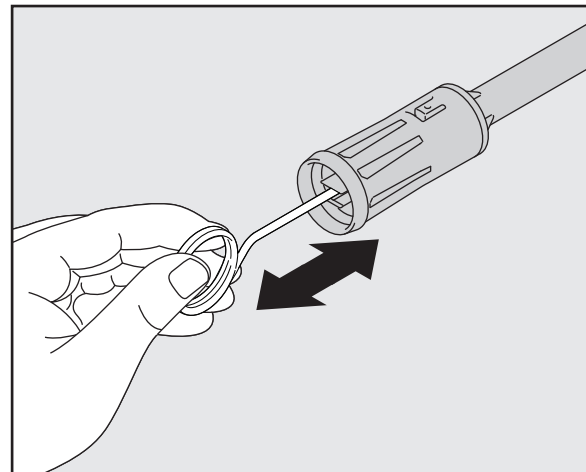
### Cleaning Garden Hose Adapter

- The screens inside the adapter should be cleaned periodically. Rinse it with clean water, and then place it back in the adapter.



### Cleaning Nozzles

- A clogged or partially clogged nozzle can cause significant reduction of water pressure coming out of the nozzle and/or cause the unit to pulsate while spraying.
- Turn off the unit.
- Turn off the water supply to the unit.
- Relieve any pressure trapped in the hose by squeezing the trigger 2-3 times, and then lock the spray gun by pushing the lock button from left to right.
- Remove the lance from the extension lance
- Take off the variable spray nozzle lance. Rotate the nozzle to narrow the stream setting which opens up the fan blades
- Using the nozzle tip cleaner provided (or an unfolded paper clip), insert the wire into the nozzle hole and move back and forth until debris is dislodged.
- Tap quick connect end of lance on hard surface several times
- Back flush water through the nozzles using garden hose and highest pressure available (either standard water nozzle or use your thumb over the nozzle to create water pressure for back flush).





## CARE AND MAINTENANCE

### Storage

- When your pressure washing session has been completed, turn off the power switch located on the front of the power washer. Unplug the power cord from the outlet. Turn off the water supply. Pull the trigger on the spray gun 2-3 times to drain out the excess water and to release any remaining water pressure. Disconnect the garden hose adapter from the water inlet. **DO NOT** allow the power washer to run with no water flowing through it.
- Remove detergent bottle and clean completely. Residual chemical will stick to the container and can cause the detergent injector to clog and not function properly.
- Remove high pressure hose from spray gun.
- Remove lance from the gun. Place the gun in the holder on the side. Lances are placed into any of the slots in the back of the unit. Make sure to discard any remaining detergent from the bottle. Flush the bottle and nozzle head with fresh water to prevent clogging.
- Hook the power cord around the cord hook on the right side of the machine when facing it.

## TROUBLESHOOTING

If you have any questions regarding the product, please call customer service at 1-866-508-1330.

PROBLEM	CORRECTIVE ACTION
Unit will not turn on.	<ol style="list-style-type: none"> <li>1. The GFCI module on the end of the power cord must be plugged directly into an outlet.</li> <li>2. Do not use an extension cord.</li> <li>3. With the GFCI Connected make sure the power switch is turned on.</li> </ol> <p><b>Note:</b> When power switch is turned on, the power washer will turn on by itself for 1-2 seconds and shut off. This is normal.</p>
The high pressure (HP) hose will not connect/stay connected to the spray gun. Is this a spray gun problem?	<ol style="list-style-type: none"> <li>1. In most cases, the spray gun is not the problem. The problem is the rubber sleeve covering the fitting at the end of the high pressure hose. It has likely slipped up toward the metal tip. To fix: wiggle, twist and/or pull the rubber sleeve down until the entire tip is visible plus an 1/8 in. of the metal fitting below the tip. Now try to insert the hose tip into the spray gun. It should "click" into place and will not come out until the hose is released by pushing in the lever on the underside of the gun. You may cut away the end of the sleeve with a sharp knife if unable to move the sleeve down. Be careful not to cut or puncture the hose.</li> <li>2. Do not push in the release button when connecting the high pressure hose.</li> </ol>
The unit is running but there is no water flow.	<ol style="list-style-type: none"> <li>1. Check the water source. Unclog the nozzle on the lance. (See nozzle cleaning instructions under "Cleaning nozzles".) Or take off the lance and just spray out of the spray gun. This will indicate if the problem is with the lance.</li> </ol>
Why is water leaking where the high pressure hose connects to the spray gun?	<ol style="list-style-type: none"> <li>1. Make sure there is an o-ring at the end of the metal tip of the high pressure hose. If no o-ring is present, the connection between the hose and spray gun will leak. O-Ring replacements are included in the package contents.</li> </ol>
I can't remove the lance from the spray gun. What should I do?	<ol style="list-style-type: none"> <li>1. All lances and the detergent bottles are attached and removed from the extension lance in the same manner. Insert the quick-release end of the lance/detergent bottle into the extension lance. Press the extension lance and lance together (about a 1/8") and turn clockwise. The lance will lock in place. Remove the lance by reversing this procedure. Press the extension lance and lance together and turn counter clockwise. The lance will slide out.</li> <li>2. Or, hold the extension lance and lance in an upright position with the nozzle end on the floor. Push the whole assembly straight down to loosen the connection, and then follow the removal process again. You may also spray soapy water or a lubricant in the area where the lance connects to the extension lance.</li> </ol>
The power washer turns on for 2 seconds, shuts off, and will not turn back on. Do I have a defective unit?	<ol style="list-style-type: none"> <li>1. It sounds like your power washer is working just fine. When the water is connected, the accessories are assembled properly, and the power switch is turned on, the power washer may turn on for 1 - 2 seconds to prime the pump. It automatically shuts off and waits for the spray gun trigger to be pressed. When the trigger is pressed, water starts flowing through the pump. The water sensor in the pump "senses" the moving water and automatically turns the power washer on.</li> <li>2. Turn the power switch to off, hold in the trigger on the spray gun, so that you have a steady stream of water. While you are holding the trigger open on the spray gun, at the same time, turn the power switch on.</li> </ol>

## LIMITED WARRANTY

The Warranty of this product is covered by A.R.North America.

This product has a 2 (two) year warranty. Please read the following carefully to understand what each warranty entails:

This product is under warranty to the original retail consumer against defects in material and workmanship for a period 1(one) year and is a complete “bumper to bumper” warranty including the spray gun, the high pressure hose and all accessories from the date of purchase. The warranty is not transferable or assignable. This warranty covers replacement parts. This limited one year warranty applies only to products used in consumer applications and is void in rental or any commercial application. Reasonable care must be used in conformity with operation and maintenance instructions in the owner’s manual and quick start guide. Failure to follow these instructions will void this warranty. This warranty gives you special legal rights and you may also have other rights which vary from state to state.

The second year of the warranty only covers manufacturer defects.

### Warranty Process

Keep your original receipt of purchase in case of warranty claim.

If your power washer develops a problem, contact Customer Service:

- Call our toll-free number at 1-866-508-1330. Customer Service is available Monday - Friday 8:00 a.m. to 5:00 p.m. Central Standard Time (CST). The Customer Service person will work with you to fix the problem.

If the power washer needs to be returned for repair, shipping costs to the company must be paid by the customer. A **Return Merchandise Authorization (RMA) Number** will be issued for the return. Upon receiving the power washer, the company will repair or replace the unit. We will send unit back to customer at no charge.

Please note: Power washers sent to the company **without an RMA Number will NOT be accepted** and shipped back at the expense of the sender.

### Return address:

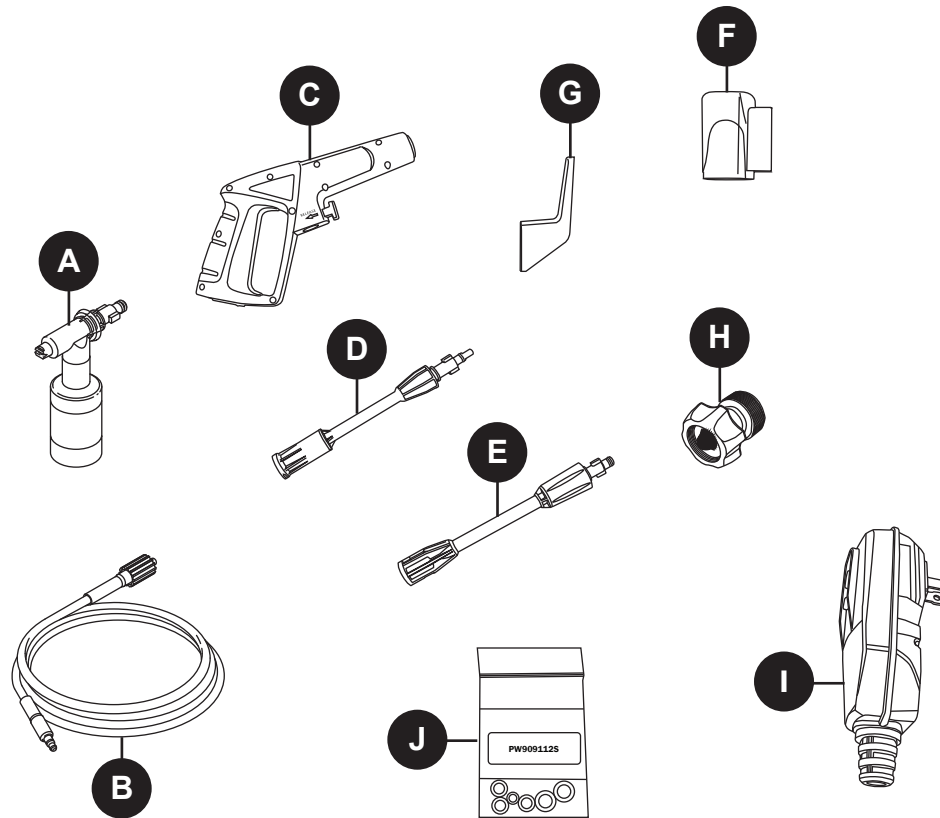
A.R. North America, Inc.  
140 81<sup>st</sup> Avenue North East  
Fridley, MN 55432

### Manufactured by:

A.R. North America, Inc.  
140 81<sup>st</sup> Avenue North East Fridley, MN 55432

## REPLACEMENT PARTS LIST

For replacement parts, call our customer service department at 1-866-508-1330, 8 a.m. - 5:00 p.m., CST, Monday - Friday or order online at [www.stanleypressurewashers.com](http://www.stanleypressurewashers.com)



PART	DESCRIPTION	PART #
A	Detergent Bottle (14 oz.)	PW50954
B	Soft PVC Hose	PW4221500
C	Spray Gun	PW4221390
D	Variable Spray Nozzle Lance	PW4120410
E	Extension Lance	PW4120400

PART	DESCRIPTION	PART #
F	Gun Holster	PW4220580
G	Cord Hook	PW4220590
H	Garden Hose Adapter	PW4221580
I	GFCI Assembly	PW4221160
J	O-Ring Replacement Kit	PW909112S

Printed in China

© 2016 Stanley Black & Decker, Inc.

Manufactured by:

A.R. North America, Inc.

140 81<sup>st</sup> Avenue North East Fridley, MN 55432

16

**STANLEY® and the STANLEY® logo are trademarks of Stanley Black & Decker, Inc. or an affiliate thereof and are used under license.**



# STANLEY®

## 1600 PSI LAVEUSE À PRESSION ÉLECTRIQUE GUIDE D'ASSEMBLAGE, D'ENTRETIEN ET D'UTILISATION Modèle SHP 1600

Lire attentivement

**IMPORTANT :**  
CONSERVER CE GUIDE ET insérer la facture dans le  
guide pour référence ultérieure.

Afin de prévenir les blessures aux yeux, por-  
ter toujours des lunettes de sécurité pendant  
l'utilisation de la laveuse à pression.



### Questions, problèmes, pièces manquantes?

Avant de retourner l'appareil chez le marchand,  
contactez notre service à la clientèle au  
1-866-508-1330, de 8 h à 17 h (HNC) du lundi au  
vendredi.

[www.stanleypressurewashers.com](http://www.stanleypressurewashers.com)



93902-KP

© 2016 Stanley Black & Decker, Inc.  
STANLEY® and the STANLEY® logo are trademarks of Stanley Black & Decker, Inc.  
or an affiliate thereof and are used under license.

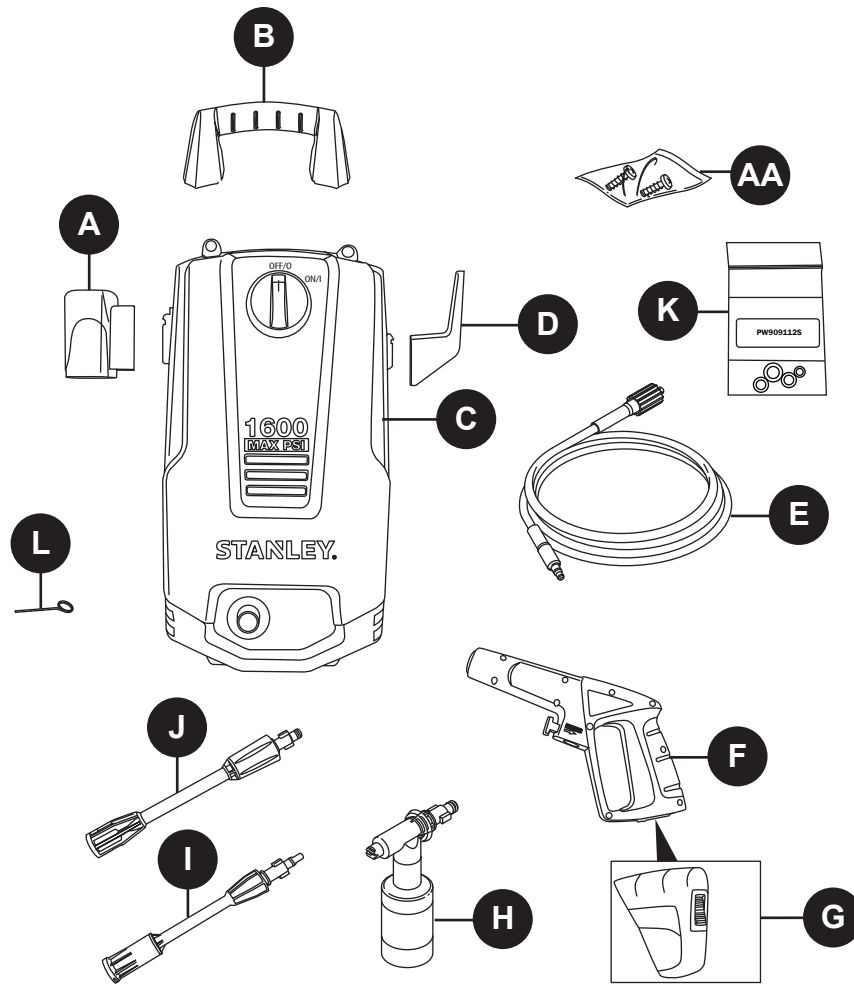
## TABLE DES MATIÈRES

Spécifications du produit.....	18
Contenu de l'emballage.....	19
Matériel inclus .....	19
Consignes de sécurité .....	20
Instructions d'assemblage .....	22
Mode d'emploi .....	26
Entretien et maintenance .....	28
Dépannage.....	30
Garantie limitée .....	31
Liste des pièces de rechange .....	32

## SPÉCIFICATIONS DU PRODUIT

SPÉCIFICATIONS						
Modèle	PSI maximum (k/cm <sup>2</sup> ) (lb/po <sup>2</sup> )	Débit maximum (Litre/min) (Gal./ min)	Eau froide	Volts	A	Poids (kg) (lb)
SHP 1600	4 682 (1 600)	4.9 (1.3)	✓	120	12	6.8 (15)

## CONTENU DE L'EMBALLAGE



PIÈCE	DESCRIPTION	QUANTITÉ
A	Étui à pistolet pulvérisateur	1
B	Poignée	1
C	Laveuse à pression	1
D	Crochet pour cordon d'alimentation	1
E	PVC souple Tuyau à haute pression	1
F	Pistolet pulvérisateur	1
G	Cran de verrouillage/déverrouillage	1

PIÈCE	DESCRIPTION	QUANTITÉ
H	Réservoir de détergent	1
I	Lance d'arrosage à jet variable	1
J	Rallonge pour lance d'arrosage	1
K	Kit de remplacement de joint torique	1
L	Tige de nettoyage de la buse	1
AA	Vis	2

## MATÉRIEL INCLUS

**AA**



Vis  
Qté 2

**Remarque :** Les vis se trouvent dans l'emballage du manuel

## CONSIGNES DE SÉCURITÉ

Assurez-vous de lire et de comprendre l'intégralité du présent manuel avant de tenter d'assembler, d'utiliser ou d'installer le produit.

Le présent manuel contient des informations concernant la PROTECTION DE LA SÉCURITÉ PERSONNELLE et la PRÉVENTION DE PROBLÈMES D'ÉQUIPEMENT II est important de lire et de comprendre l'intégralité du manuel avant d'utiliser le produit. Les symboles apparaissant ci-dessous sont utilisés pour indiquer ces informations.



### DANGER

Risque potentiel ayant pour conséquence **des blessures graves ou la mort.**



### AVERTISSEMENT

Risque potentiel pouvant causer **des blessures graves ou la mort.**



### ATTENTION

Risque potentiel pouvant causer **des blessures ou des dommages à l'équipement.**

**Remarque :** Le mot « Remarque » est utilisé pour informer l'utilisateur d'un renseignement important concernant l'utilisation de l'appareil.



### AVERTISSEMENT

Pour réduire le risque de blessure, l'utilisateur doit lire et comprendre les instructions avant d'utiliser ce produit.

1. Avertissement — Certaines précautions de base doivent être toujours suivies lors de l'utilisation de l'appareil, y compris :
2. Lire les instructions avant d'utiliser l'appareil.
3. Savoir comment arrêter l'appareil et le dépressuriser rapidement. Connaître le fonctionnement de chaque bouton de commande.
4. Définir un périmètre de sécurité.
5. Ne pas s'étirer trop loin ou prendre place sur un support instable. Toujours garder une position stable et sûre.
6. Suivre les directives d'entretien décrites dans le manuel.
7. Pour éviter des blessures ou des dommages matériels et pour profiter au maximum de l'appareil, suivre les conseils de sécurité, instructions, avertissements et recommandations et se familiariser avec les commandes.
8. Cette laveuse à pression est conforme aux normes de la CSA et à d'autres normes de sécurité. **NE PAS** modifier ni reconditionner les pièces de cette laveuse à pression.
9. **NE PAS** utiliser cette laveuse à pression si vous êtes sous l'influence d'alcool ou de drogue. Utiliser cet

appareil avec prudence et uniquement lorsque vous êtes alerte.

10. Toujours garder une position stable et sûre pendant l'utilisation de la laveuse à pression. Les surfaces mouillées sont glissantes et l'utilisation de détergent les rend encore plus dangereuses.
11. **NE JAMAIS** utiliser la laveuse à pression les pieds nus, en sandales ou avec des chaussures ouvertes.
12. Lorsque des enfants sont présents autour de la zone d'utilisation de la laveuse à pression, un adulte doit assurer la surveillance pour éviter le risque de blessures. **NE JAMAIS** permettre à un enfant d'utiliser la laveuse à pression.
13. Tenir les doigts, les mains, les pieds et toutes les parties du corps loin du jet d'eau à haute pression. Le jet d'eau à haute pression peut causer la cécité ou déchirer la peau. Il peut fracasser une vitre si la buse est trop proche de la fenêtre lorsqu'on appuie sur la gâchette du pistolet pulvérisateur.
14. Afin de prévenir les blessures aux yeux, PORTER toujours des lunettes de sécurité pendant l'utilisation de la laveuse à pression.
15. Pour éviter les accidents ou les blessures, **VERROUILLER** toujours la gâchette à l'aide du bouton de sûreté lorsque la laveuse à pression n'est pas en service, même si le jet a été arrêté temporairement.
16. La laveuse à pression est équipée d'un disjoncteur de fuite de terre afin de réduire le risque de décharge électrique pendant l'utilisation de l'appareil. S'il est nécessaire de remplacer la fiche ou le cordon d'alimentation, utiliser uniquement une pièce de remplacement identique.
17. Pointer le pistolet pulvérisateur vers une direction sécuritaire avant de commencer une séance de lavage.
18. **NE JAMAIS** utiliser le pistolet pulvérisateur pour arroser une personne, un animal, un appareil électrique ou la laveuse à pression.
19. À la première utilisation du pistolet pulvérisateur, tenir le pistolet et la lance à deux mains (une main pour appuyer sur la gâchette et l'autre pour stabiliser le pistolet et la lance) de manière à évaluer l'effet de rebond du pistolet pulvérisateur.
20. Lorsque l'alimentation électrique de la laveuse à pression est coupée, de l'eau sous pression demeure dans l'appareil. Pour relâcher la pression, pointer le pistolet pulvérisateur dans une direction sécuritaire et appuyer sur la gâchette.
21. **NE JAMAIS** pulvériser de liquide inflammable.
22. **NE JAMAIS** utiliser la laveuse à pression dans un espace rempli de poussières, de liquide ou de vapeurs combustibles.
23. Éviter tout contact entre le tuyau à HP et des objets tranchants et vérifier le tuyau régulièrement. Remplacer le tuyau s'il est endommagé. Puisque c'est un tuyau à haute pression, il ne peut pas être réparé.
24. Utiliser uniquement un détergent spécialement conçu pour les laveuses à pression et suivre les

## CONSIGNES DE SÉCURITÉ

instructions sur l'étiquette de la bouteille de détergent.

25. Utiliser des équipements de protection qui protégeront les yeux, les poumons et la peau contre l'exposition au détergent. Le savon à vaisselle et les détergents à lessive sont trop épais et boucheront la buse de la bouteille à détergent.

**IMPORTANT :** Lorsque la température extérieure est sous zéro, entreposer la laveuse à pression à l'intérieur pour éviter que l'eau dans l'appareil gèle. Le fait que l'eau gèle et augmente de volume aura pour effet d'endommager l'appareil et de le rendre inutilisable. Si l'appareil doit être entreposé à l'extérieur, il est recommandé d'utiliser un protecteur de pompe (non compris) pour protéger la pompe.

26. **NE JAMAIS** utiliser d'eau chaude dans la laveuse à pression. Cela aura pour effet de surchauffer la pompe à haute pression et de l'endommager.
27. **NE JAMAIS** laisser la laveuse à pression sans surveillance lorsque l'interrupteur est à la position « ON » (marche).
28. **TOUJOURS** ouvrir l'alimentation en eau avant de placer l'interrupteur électrique à la position « ON » (marche). Le fait de faire fonctionner la pompe à sec pourrait endommager ses composants internes.
29. **NE JAMAIS** utiliser une source d'alimentation en

eau ayant une pression supérieure à 150 PSI.

30. **NE JAMAIS** débrancher le tuyau à haute pression de la laveuse à pression pendant que le système est sous pression.
31. **NE JAMAIS** bloquer la gâchette en position ouverte de manière permanente.
32. **NE JAMAIS** faire fonctionner la laveuse à pression si tous les composants ne sont pas branchés correctement et de manière sécuritaire.
33. **NE JAMAIS** laisser fonctionner la pompe de la laveuse à pression plus d'une minute après que l'alimentation en eau ait été coupée. Cela pourrait occasionner la surchauffe du moteur et de la pompe et causer une défaillance.
34. **NE JAMAIS** utiliser une lance ou un autre composant qui n'est pas compatible avec ce modèle d'appareil Stanley.
35. **NE JAMAIS** brancher une rallonge au cordon d'alimentation de l'appareil. Cela compromettrait l'efficacité du disjoncteur de fuite de terre et augmenterait le risque d'électrocution de l'utilisateur.
36. **NE JAMAIS** arroser une prise électrique avec le jet du pistolet pulvérisateur.
37. Inspecter le cordon d'alimentation avant d'utiliser l'appareil. **NE PAS** utiliser l'appareil si le cordon d'alimentation est endommagé.

## CONSERVER CES INSTRUCTIONS POUR RÉFÉRENCE ULTÉRIEURE.

### Entretien d'un appareil à double isolation

Protection par un disjoncteur de fuite de terre :

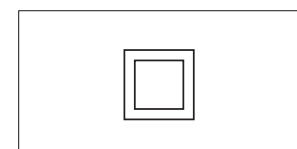
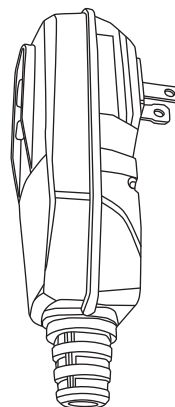
cette laveuse à pression est protégée par un disjoncteur de fuite de terre intégré dans la fiche du cordon d'alimentation. Ce dispositif fournit une protection additionnelle contre le risque de décharge électrique. S'il est nécessaire de remplacer la fiche ou le cordon d'alimentation, utilisez uniquement une pièce de remplacement identique comprenant un disjoncteur de fuite de terre.

Les appareils à double isolation comprennent deux dispositifs d'isolation à la place d'une prise de terre. Les appareils à double isolation ne sont pas équipés d'un dispositif de mise à la terre et ce type de dispositif ne devrait pas être raccordé au produit.

L'entretien d'un appareil à double isolation nécessite une attention et un savoir-faire particuliers et doit être confié à un technicien qualifié.

Les pièces de rechange d'un appareil à double isolation doivent être identiques à l'original.

Les produits à double isolation portent la marque « Double Insulation » ou « Double Insulated ». Certains produits peuvent également être marqués du symbole illustré ci-dessous.



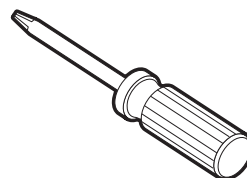
**Double Insolated Product**

## PRÉPARATION

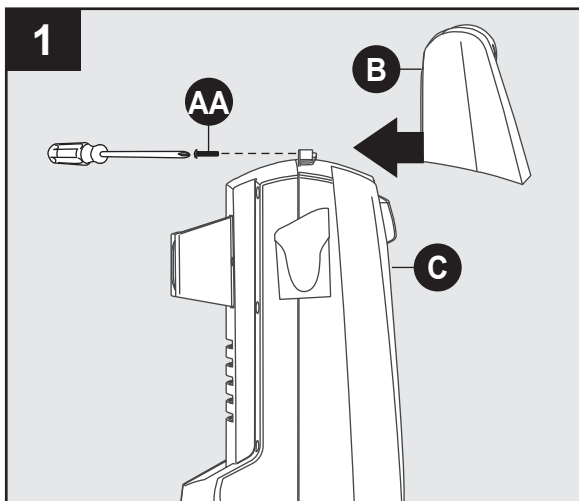
Avant de commencer l'assemblage de l'appareil, assurez-vous que toutes les pièces sont dans l'emballage. Comparez les pièces à la liste des pièces et du matériel. Dans le cas où une pièce est manquante ou endommagée, **N'ESSAYEZ PAS d'assembler l'appareil.**

Temps d'assemblage approximatif : 5 minutes

Outil nécessaire pour l'assemblage (non compris) :  
Tournevis cruciforme



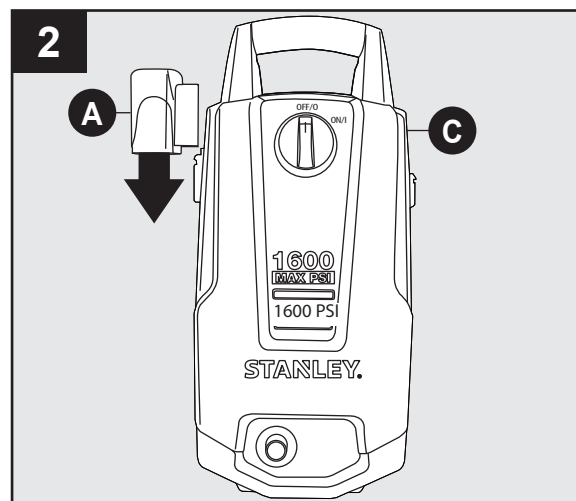
## INSTRUCTIONS D'ASSEMBLAGE



### Assemblage de l'appareil

Installez la poignée (B) sur la laveuse à pression (C). Fixez-la à l'aide des vis (AA).

**Remarque : N'UTILISEZ PAS** un tournevis électrique. Une fois la vis complètement serrée, vissez-la encore de quelques degrés dans le sens horaire. **NE SERREZ PAS** à l'excès.



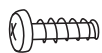
Placez l'appareil face contre vous, puis faites glisser l'étui à pistolet (A) sur le côté gauche de l'appareil (C) tel qu'illustré.

**Remarque :** L'étape suivante ne nécessite aucune vis.

### Matériel utilisé :

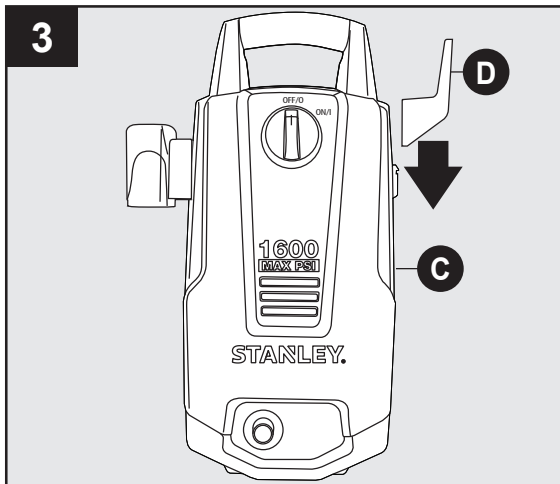
AA

Vis



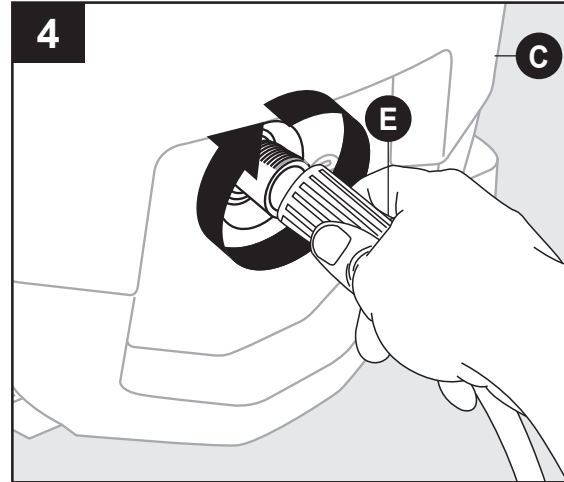
x 2

## INSTRUCTIONS D'ASSEMBLAGE



Placez l'appareil face contre vous, puis faites glisser le crochet à tuyau (D) sur le côté droit de l'appareil (C) tel qu'illustré.

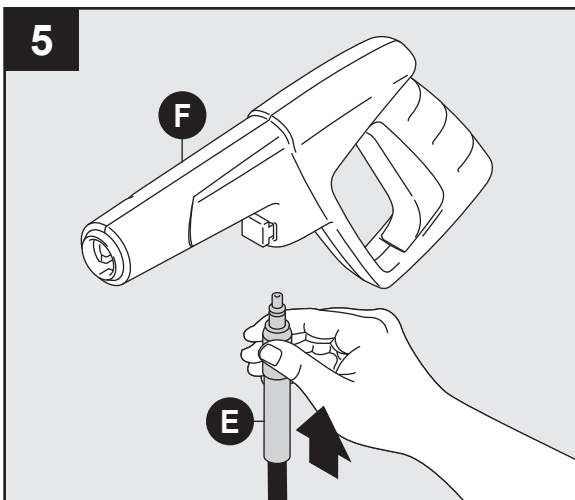
**Remarque :** L'étape suivante ne nécessite aucune vis.



### Assemblage du PVC souple tuyau à haute pression

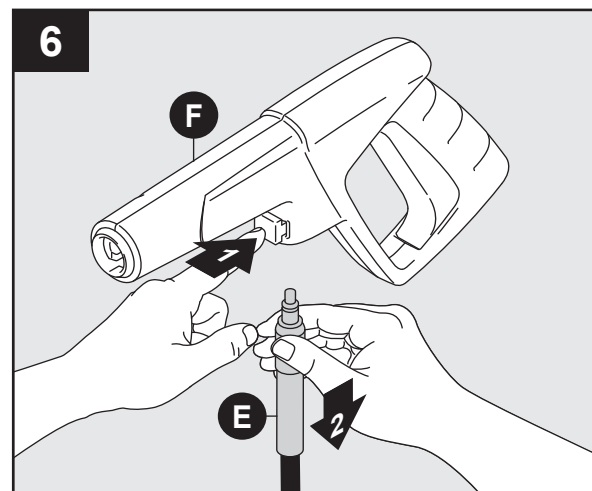
Vissez le PVC souple tuyau à haute pression (E) dans le sens horaire sur le raccord situé à la base, sur la face avant (C) de l'appareil. Retirez le collier vers l'arrière et insérez l'embout dans la sortie d'alimentation en eau suffisamment profondément de sorte que le collier puisse être vissé sur le filet et serré à la main. S'il faut faire moins de six tours, alors le raccord du PVC souple tuyau à haute pression n'est pas correctement serré. Il est plus facile d'engager le collier sur le filet si la laveuse à pression est positionnée directement devant soi. Le fait de ne pas serrer correctement le PVC souple tuyau à haute pression aura pour effet de déconnecter le tuyau dès que l'appareil sera mis en marche. Une telle situation n'endommagera pas l'appareil. Reconnectez simplement le tuyau et assurez-vous de le serrer correctement sur le raccord de l'appareil.

**Remarque :** **NE SERREZ PAS** avec une pince ou une pince-étau.



Branchez l'autre extrémité du PVC souple tuyau à haute pression (E) au pistolet pulvérisateur (F). Pour ce faire, insérez l'embout métallique argenté du tuyau dans le raccord situé devant la gâchette. Un clic se fera entendre indiquant le verrouillage des deux composants. Tirez légèrement sur le tuyau pour confirmer le verrouillage. Le tuyau est maintenant fixé sécuritairement dans le pistolet pulvérisateur.

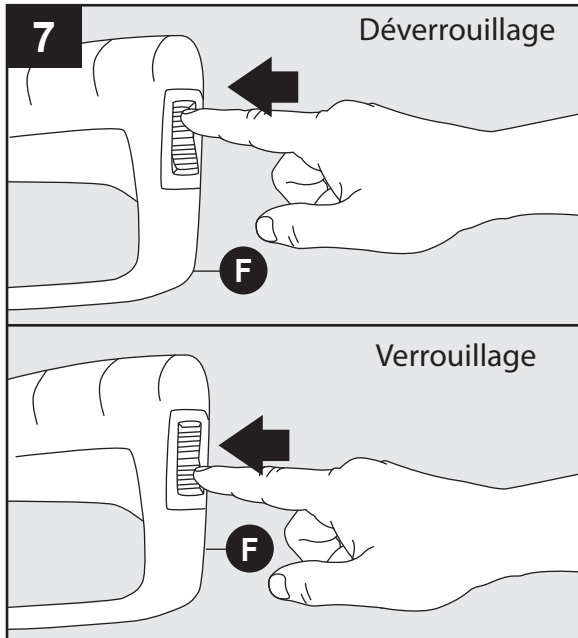
**Remarque :** **NAPPUYEZ PAS** sur le bouton du raccord au moment d'insérer le tuyau dans le pistolet.



Pour retirer le tuyau (E) du pistolet pulvérisateur (F), poussez le bouton du raccord vers la gâchette. Le tuyau se séparera du raccord.



## INSTRUCTIONS D'ASSEMBLAGE

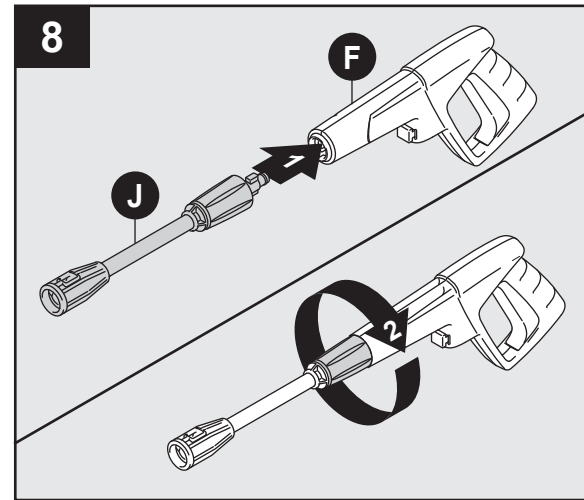


### Verrouillage du pistolet pulvérisateur (avant l'installation de la lance).

Pour verrouiller la gâchette du pistolet pulvérisateur (F), pointez le pistolet loin de vous et appuyez sur la moitié inférieure du bouton de sûreté. Appuyez sur la gâchette pour vous assurer qu'elle est correctement verrouillée.

**TOUJOURS** mettre le bouton de sûreté en position de verrouillage lorsque le pistolet n'est pas utilisé. Cette procédure vise à s'assurer que le pistolet est sécuritaire lorsqu'il n'est pas utilisé. Pour déverrouiller le pistolet, appuyez sur la moitié supérieure du bouton de sûreté.

**Remarque :** Le bouton de sûreté empêche l'usage accidentel de la gâchette.



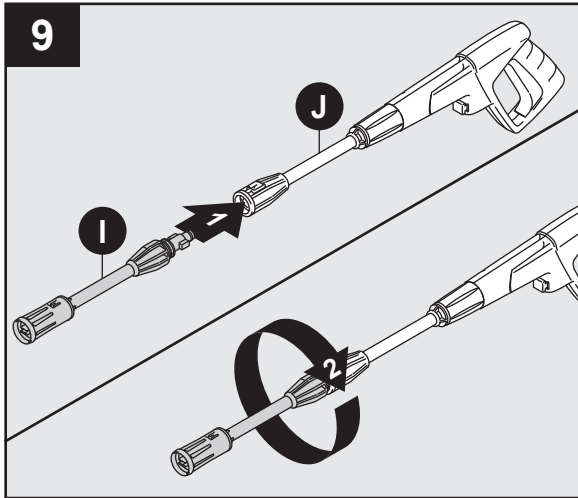
### Installation de la lance d'arrosage

Verrouillez le pistolet pulvérisateur (F), puis assemblez la lance d'arrosage (J) directement dans le pistolet. Insérez la lance d'arrosage dans le pistolet, puis poussez et tournez la lance dans le sens horaire. Tournez la bague située sur la lance dans le sens horaire pour la verrouiller en place. Pour retirer la lance d'arrosage (J), tournez la bague dans le sens antihoraire pour la déverrouiller, puis poussez sur la lance en la tournant dans le sens antihoraire pour la déverrouiller.

**Remarque :** La lance d'arrosage doit être insérée dans le pistolet avant d'utiliser les accessoires et fixée au pistolet pendant l'entreposage. Il est recommandé de garder la lance fixée au pistolet une fois qu'elle est installée.



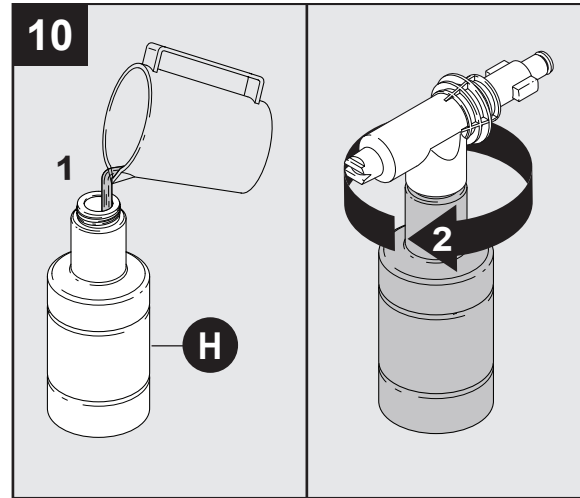
## INSTRUCTIONS D'ASSEMBLAGE



### Installation des lances à jet variable

Insérez la lance à jet variable (I) ou la bouteille de détergent (H) dans l'extrémité de la lance d'arrosage, puis poussez et tournez dans le sens horaire. Pour la retirer, poussez et tournez dans le sens antihoraire.

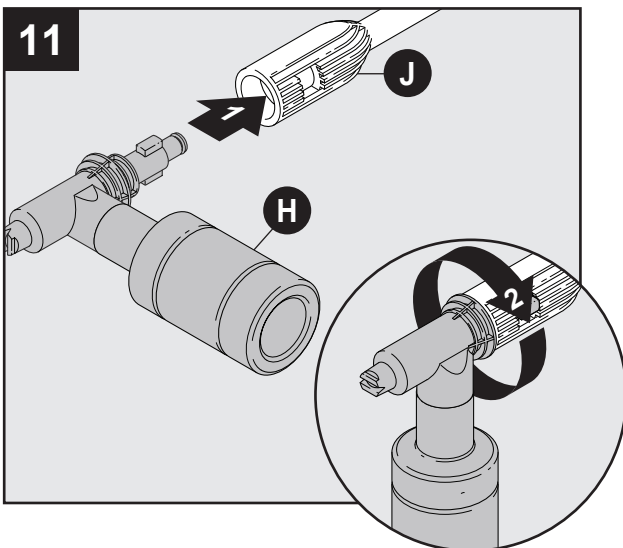
**Remarque :** Avant de changer la lance, enfoncez le bouton de sûreté pour vous assurer qu'elle ne sera pas éjectée avec force pendant l'opération.



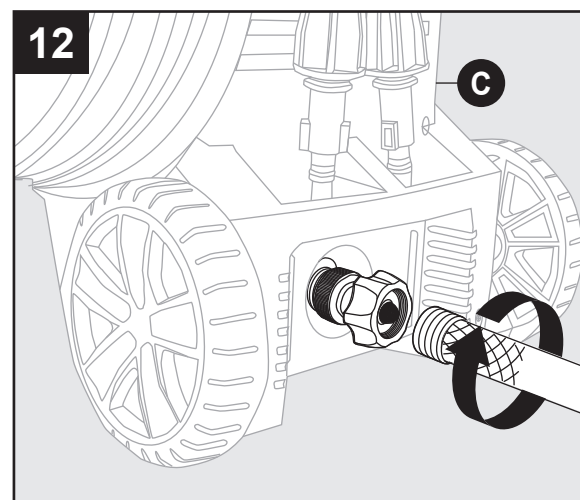
### Installation de la bouteille de détergent

La bouteille de détergent dispose d'un bouchon vissable muni d'une paille. Si vous ne voyez pas la paille, regardez à l'intérieur de la bouteille, puis fixez-la au bouchon vissable. Au moment d'utiliser la bouteille de détergent, remplissez-la avec la quantité d'eau et de détergent indiquée sur la bouteille.

- L'utilisation d'un détergent pour laveuse à pression est recommandée. Reportez-vous à la page 29 pour plus d'information.
- **N'UTILISEZ PAS** un détergent épais ou sous forme de gel. Ceux-ci risquent de boucher la laveuse à pression et de l'endommager.



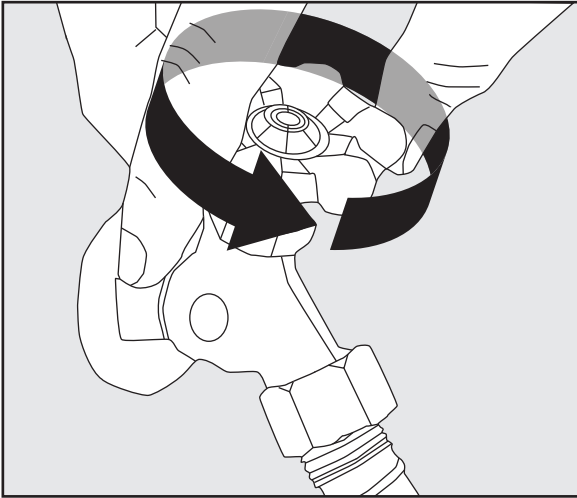
Insérez la bouteille de détergent (H) dans la lance (J), puis poussez et tournez dans le sens horaire.



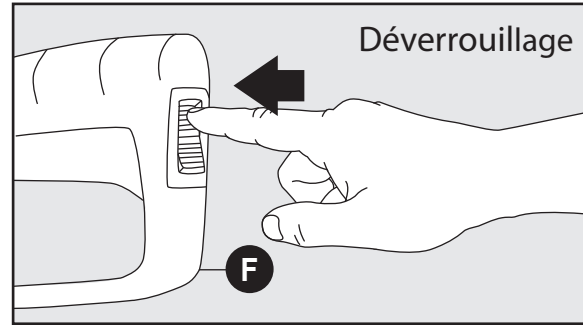
joignez un tuyau d'arrosage à construit au tuyau d'arrosage adaptateur situé à l'arrière de la machine groupe (c).l'eau est connecté à votre machine.

**Remarque :** Débusquer tuyau d'arrosage avant la connexion de tuyau d'arrosage adaptateur.

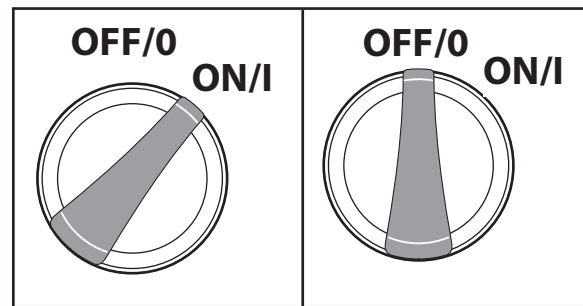
## MODE D'EMPLOI



- Ouvrez complètement le robinet d'alimentation en eau.
- Assurez-vous que l'interrupteur « ON/OFF » (marche/arrêt) et à la position « OFF » (arrêt). L'interrupteur est marqué des symboles internationaux « on » et « off ». On (I) Off (O).
- Déroulez complètement le cordon d'alimentation et branchez le disjoncteur de fuite de terre dans une prise 120 V reliée à la terre.
- Déverrouillez le bouton de sûreté du pistolet pulvérisateur. Pour ce faire, appuyez sur la moitié supérieure du bouton. Pointez le pistolet dans une direction sécuritaire, puis appuyez sur la gâchette du pistolet jusqu'à ce que l'eau s'écoule en continu après avoir purgé l'eau et l'air emprisonnés dans le tuyau d'arrosage.

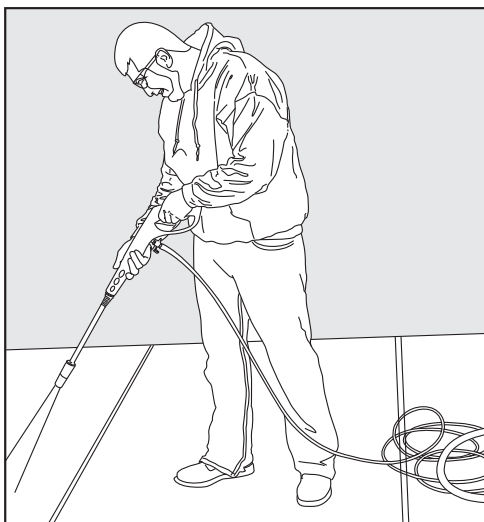


- Placez l'interrupteur à la position « ON » (I). L'appareil se met en marche pendant une à deux secondes et s'arrête. Il s'agit du fonctionnement normal du mode de mise en marche automatique. Appuyez sur la gâchette du pistolet pulvérisateur pour commencer le lavage à pression.

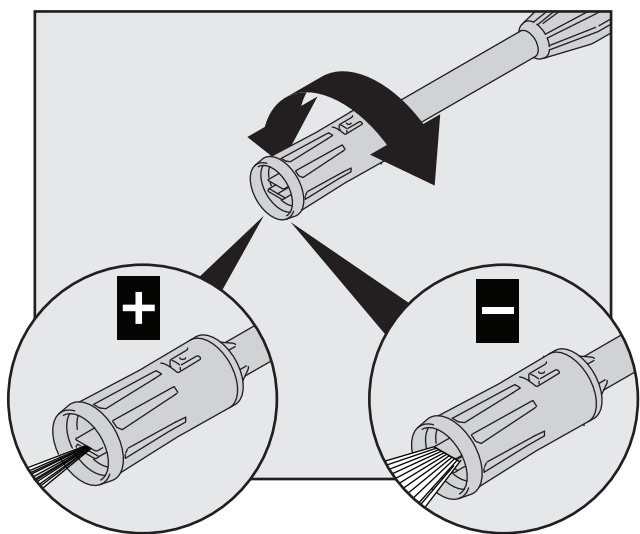


## MODE D'EMPLOI

- Enfoncez complètement la gâchette jusqu'à la poignée pour commencer le lavage à pression.
- Relâchez la gâchette pour arrêter le lavage à pression.
- Laissez le moteur s'arrêter complètement avant d'appuyer de nouveau sur la gâchette.
- Le fait de serrer la gâchette trop rapidement nuit au bon fonctionnement de la fonction de démarrage automatique qui pourrait sauter un cycle marche/arrêt. Cette situation pourrait retarder la reprise automatique du moteur. Le fait d'appuyer lentement sur la gâchette permet d'éviter ces symptômes.



- **Faites toujours un essai** sur une petite surface pour éviter tout risque d'endommagement.



- L'usage d'une buse à jet variable permet de régler le motif et l'intensité du jet en fonction de la tâche. Pour ce faire, régler la buse située à l'extrémité de la lance.

### Conseilles d'utilisation

- Il est normal d'entendre le moteur tourner par intermittence, même lorsque la gâchette n'est pas enfoncée. C'est la pompe qui s'amorce pour être en mesure de fonctionner lorsqu'on appuie sur la gâchette. Éteignez la laveuse à pression si elle n'a pas été utilisée après cinq minutes.
- Le joint torique du côté baïonnette de la buse doit être nettoyé régulièrement et lubrifié avec de la graisse hydroinsoluble telle que de la gelée de pétrole.
- Gardez le fil de nettoyage de la buse bien propre en vue de l'utiliser pour désincruster la buse. Si vous perdez le fil de nettoyage, un trombone déplié peut aussi faire l'affaire.

### Comment éviter d'endommager les surfaces

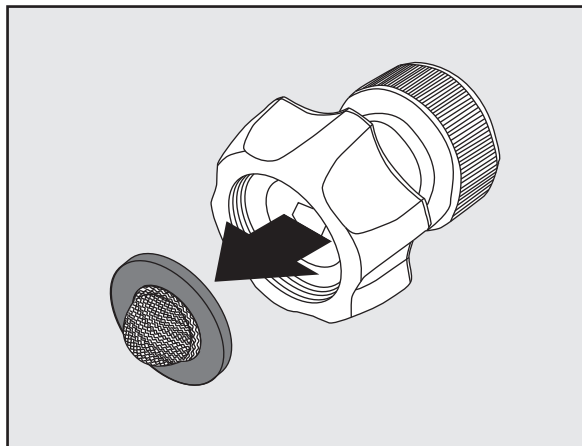
- Les dommages aux surfaces en cours de nettoyage se produisent parce que la force d'impact de la pression d'eau est supérieure à la résistance de la surface. Il est possible de pénétrer le bois nu, d'écailler la peinture, etc. On peut modifier la pression de l'appareil en agissant sur les éléments suivants :
  1. L'angle de la surface à nettoyer
  2. La distance entre la buse et la surface à nettoyer
- **N'UTILISEZ JAMAIS** un jet d'eau étroit à haute pression sur des surfaces lisses susceptibles de s'endommager.

### Détergents

- Utilisez un détergent conçu pour les laveuses à pression. Vous pouvez l'acheter en ligne à l'adresse [www.stanleypressurewashers.com](http://www.stanleypressurewashers.com). Les quincailleries ou centres de rénovation offrent également des détergents pour laveuse à pression adaptés à vos différents projets de nettoyage. La solution de nettoyage doit présenter la même fluidité que l'eau pour prévenir toute obstruction de la buse et de la bouteille de détergent.
- Ce système applique le détergent à basse pression. La puissance nettoyante des détergents est accrue lorsque la pression est faible, car la saleté et la crasse ont plus de temps pour se dissoudre. La combinaison de la basse pression et de l'action chimique est très efficace et peut être plus efficace que le frottage si elle est correctement appliquée. **VAPORISEZ TOUJOURS** le détergent sur une surface sèche. **NE MOUILLEZ PAS** la zone à nettoyer. Le fait de mouiller la surface dilue le détergent et réduit sa capacité de nettoyage. **NE LAISSEZ PAS** le détergent sécher sur la surface. Sur les surfaces verticales, appliquez le détergent à partir de la base vers le haut pour empêcher la formation de dégoulinades dans la saleté. Pour la même raison, rincez le détergent avec la laveuse à pression en partant de la base.
- Si une tache est particulièrement tenace, vous devrez peut-être appliquer davantage de détergent et utiliser une brosse à soie douce pour frotter la tache. Lavez de nouveau pour compléter le travail.

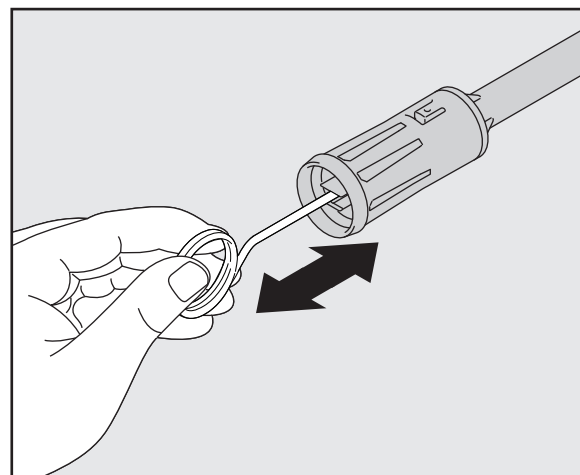
### Le nettoyage des tuyaux d'arrosage

- La crépine qui se trouve dans l'adaptateur doit être nettoyée périodiquement. Rincez-la à l'eau claire, puis replacez-la dans l'adaptateur.



### Nettoyage des buses

- Une buse obstruée ou partiellement obstruée peut provoquer une importante réduction de la pression d'eau à la sortie ou provoquer des pulsations du jet sortant de l'appareil.
- Éteignez l'appareil.
- Coupez l'arrivée d'eau à l'appareil.
- Libérez la pression emprisonnée dans le tuyau. Pour ce faire, appuyez sur le déclencheur 2 ou 3 fois, puis verrouillez le pistolet pulvérisateur en poussant le bouton de blocage de la gauche vers la droite.
- Retirez la rallonge de la lance d'arrosage
- Sortez la lance à buse à jet variable. Tournez la buse pour rétrécir le jet qui ouvre les lames du jet en éventail
- À l'aide du nettoyeur de buse (ou d'un trombone déplié), insérez le fil dans l'orifice de la buse et déplacez-le d'avant en arrière plusieurs fois jusqu'à ce que les débris soient délogés.
- Tapez plusieurs fois l'extrémité du raccord rapide de la lance sur une surface dure.
- Faites passer l'eau de rinçage dans la buse à l'aide du tuyau d'arrosage. Utilisez la pression la plus élevée possible (soit avec la buse standard ou avec votre pouce sur la buse pour créer une pression d'eau).



## ENTRETIEN ET MAINTENANCE

### Entreposage

- Lorsque le lavage à pression est terminé, éteignez l'interrupteur qui se trouve à l'avant de l'appareil. Débranchez le cordon d'alimentation de la prise. Coupez l'arrivée d'eau. Tirez sur la gâchette du pistolet pulvérisateur 2 ou 3 fois pour vider l'excès d'eau et libérer toute pression résiduelle. Débranchez l'adaptateur du tuyau d'arrosage de l'embout d'admission d'eau. **NE LAISSEZ PAS** la laveuse à pression fonctionner si l'alimentation en eau n'est pas ouverte.
- Retirez la bouteille de détergent et nettoyez-la à fond. Les résidus chimiques collent au contenant et peuvent obstruer l'injecteur de détergent et l'empêcher de fonctionner correctement.
- Retirez le flexible à haute pression du pistolet pulvérisateur.
- Retirez la lance du pistolet. Placez le pistolet dans le support latéral. Placez les lances dans l'un ou l'autre des réceptacles qui se trouvent à l'arrière de l'appareil. Assurez-vous de vider le détergent en excès dans la bouteille. Rincez la bouteille et la buse à l'eau claire pour prévenir toute obstruction.
- Accrochez le cordon d'alimentation autour du crochet à cordon situé du côté droit de l'appareil lorsque vous y faites face.

## DÉPANNAGE

Pour toute question concernant le produit, communiquez avec le service à la clientèle au 1-866-508-1330.

PROBLÈME	MESURE CORRECTRICE
L'appareil ne se met pas en marche.	<ol style="list-style-type: none"><li>1. Le disjoncteur de fuite de terre à l'extrémité du cordon d'alimentation doit être branché directement dans une prise.</li><li>2. N'utilisez pas une rallonge électrique.</li><li>3. Une fois le disjoncteur de fuite de terre branché, vérifiez que l'appareil est sous tension.</li></ol> <p><b>Remarque :</b> Lorsque l'interrupteur d'alimentation est allumé, la laveuse à pression se met en marche d'elle-même pendant 1 à 2 secondes, puis s'éteint. C'est normal.</p>
Je n'arrive pas à connecter le tuyau à haute pression (HP) au pistolet pulvérisateur ou bien il ne reste pas connecté. Est-ce que le pistolet pulvérisateur est défectueux?	<ol style="list-style-type: none"><li>1. Dans la plupart des cas, le pistolet pulvérisateur n'est pas en cause. Le problème se trouve plutôt au niveau du manchon de caoutchouc qui couvre le raccord d'extrémité du tuyau à haute pression. Il a probablement glissé en direction de l'embout métallique. Pour corriger : remuez ou tirez le manchon de caoutchouc vers le bas jusqu'à ce que l'embout soit bien visible, plus de 1/8 po du raccord métallique sous l'embout. Essayez maintenant d'insérer l'embout de tuyau dans le pistolet pulvérisateur. Vous devriez entendre un clic lorsqu'il s'enclenche et il ne se déclenchera pas jusqu'à ce que le tuyau soit libéré en poussant le levier qui est sur le côté du pistolet. Vous pouvez découper l'extrémité du manchon à l'aide d'un couteau pointu si vous n'arrivez pas à déplacer le manchon vers le bas. Attention de ne pas couper et de ne pas percer le tuyau.</li><li>2. Ne poussez pas le bouton de dégagement lors de la connexion du flexible à haute pression.</li></ol>
L'appareil fonctionne mais l'eau ne s'écoule pas.	<ol style="list-style-type: none"><li>1. Vérifiez l'alimentation en eau. Désincrustez la buse de la lance. (Consultez les instructions de nettoyage sous le thème « Nettoyage des buses »). Ou retirez la lance et arrosez directement à partir du pistolet pulvérisateur. Ainsi vous saurez si le problème vient vraiment de la lance.</li></ol>
Pourquoi l'eau fuit-elle lorsque le tuyau à haute pression se connecte au pistolet pulvérisateur?	<ol style="list-style-type: none"><li>1. Assurez-vous qu'il y a un joint torique en fin de métal au bout du tuyau de haute pression. Si aucun joint torique est présent, le lien entre le tuyau et le pistolet de pulvérisation, fuit. Le joint torique remplacements sont inclus dans le contenu de l'emballage.</li></ol>
Je n'arrive pas à retirer la lance du pistolet pulvérisateur. Que dois-je faire?	<ol style="list-style-type: none"><li>1. Les lances et les bouteilles de détergent sont fixées et retirées du pistolet de la même façon. Insérez le raccord rapide à l'extrémité de la lance ou de la bouteille de détergent dans la lance. Enfoncez la lance dans le pistolet (environ 1/8 po) et tournez dans le sens horaire. La lance se verrouillera en place. Retirez la lance en inversant la procédure. Enfoncez la lance dans le pistolet et tournez dans le sens anti-horaire. La lance glissera vers l'extérieur.</li><li>2. Ou placez la lance et le pistolet en position verticale avec la buse au sol. Poussez l'ensemble vers le sol pour desserrer le raccord, puis suivez la procédure de retrait. Vous pouvez également vaporiser de l'eau savonneuse ou du lubrifiant au point de raccordement de la lance et du pistolet.</li></ol>
La laveuse à pression se met en marche pendant deux secondes, s'arrête et ne se remet pas en marche. Est-ce que mon appareil est défectueux?	<ol style="list-style-type: none"><li>1. Il semble que votre laveuse à pression fonctionne parfaitement bien. Lorsque l'eau est raccordée, que les accessoires sont correctement assemblés et que l'interrupteur est à la position marche, la laveuse à pression se met en marche pendant 1 à 2 secondes pour amorcer la pompe. Elle s'éteint ensuite automatiquement et attend que la gâchette du pistolet pulvérisateur soit enfoncée. Une fois la gâchette enfoncée, l'eau commence à s'écouler à travers la pompe. Le capteur d'eau de la pompe détecte l'eau qui passe et met automatiquement en marche la laveuse à pression.</li><li>2. Éteignez l'interrupteur, puis maintenez la gâchette du pulvérisateur enfoncée afin d'avoir un jet d'eau uniforme. Pendant que vous maintenez la gâchette en position ouverte pulvérisateur, tournez en même temps l'interrupteur d'alimentation pour le mettre en marche.</li></ol>

## GARANTIE LIMITÉE

La garantie de ce produit est couvert par A.R.North America.

Ce produit a une garantie de 2 (deux) ans. S'il vous plaît lire attentivement ce qui suit pour comprendre ce que chaque garantie implique:

Ce produit est sous garantie pour le consommateur au détail original contre les défauts de matériaux et de fabrication pour une période d'un (1) an et est un «pare-chocs à pare-chocs» complète garantie, y compris le pistolet, le flexible haute pression et tous les accessoires de la date d'achat. La garantie est non transférable ni cessible. Cette garantie couvre les pièces de rechange. Cette limite un an de garantie applicable uniquement aux produits utilisés dans les applications grand public et est nul dans la location ou toute autre application commerciale. Un soin raisonnable doit être utilisé en conformité avec les instructions d'exploitation et de maintenance en guide de démarrage manuel et rapide du propriétaire. Le non-respect de ces instructions annulera cette garantie. Cette garantie vous donne des droits légaux spécifiques et vous pouvez également avoir d'autres droits qui varient d'un État à État.

La deuxième année de la garantie ne couvre que les défauts de fabrication.

### Processus de garantie

Conservez votre reçu d'achat original en cas de réclamation de garantie.

Si la laveuse à pression présente un problème, communiquez avec le service à la clientèle :

- Composez le numéro sans frais 1-866-508-1330. Le service à la clientèle est disponible du lundi au vendredi de 8 h à 17 h heure normale du centre (HNC). La personne du service à la clientèle qui vous répondra vous aidera à régler le problème.

Si la laveuse à pression doit être retournée en vue d'une réparation, les coûts d'expédition sont à la charge du client. Un **numéro d'autorisation de retour de marchandise** sera émis pour le retour. Sur réception de la laveuse à pression, la compagnie réparera ou remplacera l'appareil. Nous vous retournerons l'appareil sans frais.

Veillez prendre note : Les laveuses à pression expédiées à la compagnie **sans numéro RMA ne seront PAS acceptées** et elles seront retournées au frais de l'expéditeur.

### Adresse de l'expéditeur :

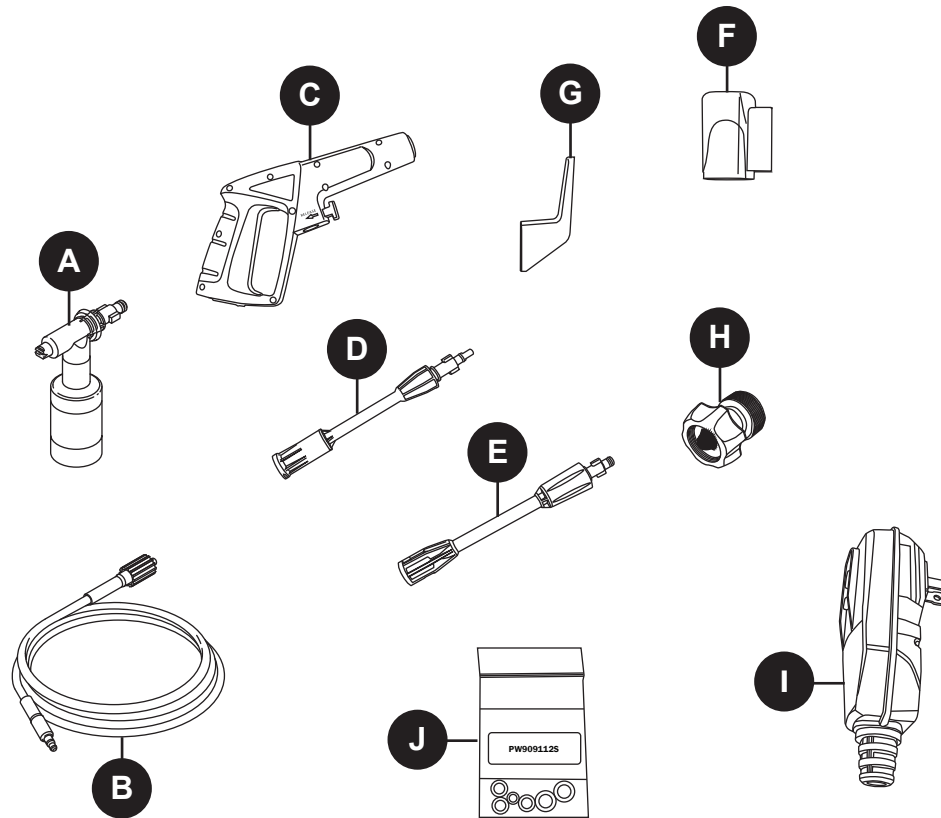
A.R. North America, Inc.  
140 81<sup>st</sup> Avenue North East  
Fridley, MN 55432

### Fabriqué par :

A.R. North America, Inc.  
140 81<sup>st</sup> Avenue North East Fridley, MN 55432

## LISTE DES PIÈCES DE RECHANGE

Pour les pièces de rechange, communiquez avec le service à la clientèle au numéro 1-866-508-1330, 8 h à 17 h, HNC, du lundi au vendredi ou commandez en ligne à l'adresse [www.stanleypressurewashers.com](http://www.stanleypressurewashers.com)



PIÈCE	DESCRIPTION	NO DE PIÈCE
A	Bouteille de détergent (14 oz)	PW50954
B	PVC souple Tuyau	PW4221500
C	Pistolet pulvérisateur	PW4221390
D	Lance d'arrosage à jet variable	PW4120410
E	Rallonge pour lance d'arrosage	PW4120400

PIÈCE	DESCRIPTION	NO DE PIÈCE
F	Étui à pistolet	PW4220580
G	Crochet pour cordon d'alimentation	PW4220590
H	Adaptateur de tuyau d'arrosage rapide	PW4221580
I	Disjoncteur de fuite de terre	PW4221160
J	Kit de remplacement de joint torique	PW909112S

Imprimé en Chine

© 2016 Stanley Black & Decker, Inc.

Fabriqué par :

A.R. North America, Inc.

140 81<sup>st</sup> Avenue North East Fridley, MN 55432

32

**STANLEY® and the STANLEY® logo are trademarks of Stanley Black & Decker, Inc. or an affiliate thereof and are used under license.**



# STANLEY®



## 1600 PSI LAVADORA A PRE- SIÓN ELÉCTRICA INSTRUCCIONES DE MONTAJE, CUIDADO Y USO Modelo SHP 1600

LEA CUIDADOSAMENTE

### IMPORTANTE:

GUARDE ESTAS INSTRUCCIONES Y ADJUNTE EL RECIBO AL MANUAL PARA FUTURAS REFERENCIAS.

SIEMPRE UTILICE GAFAS DE PROTECCIÓN PARA EVITAR LESIONES A LOS OJOS AL OPERAR LA LAVADORA A PRESIÓN.



### ¿Preguntas, problemas, piezas faltantes?

Antes de la devolución al distribuidor, llame a nuestro Departamento de Servicio al Cliente al 1-866-508-1330, 8:00 a. m.–5:00 p. m., hora estándar del centro, de lunes a viernes.  
[www.stanleypressurewashers.com](http://www.stanleypressurewashers.com)

93902-KP

© 2016 Stanley Black & Decker, Inc.  
STANLEY® and the STANLEY® logo are trademarks of Stanley Black & Decker, Inc.  
or an affiliate thereof and are used under license.

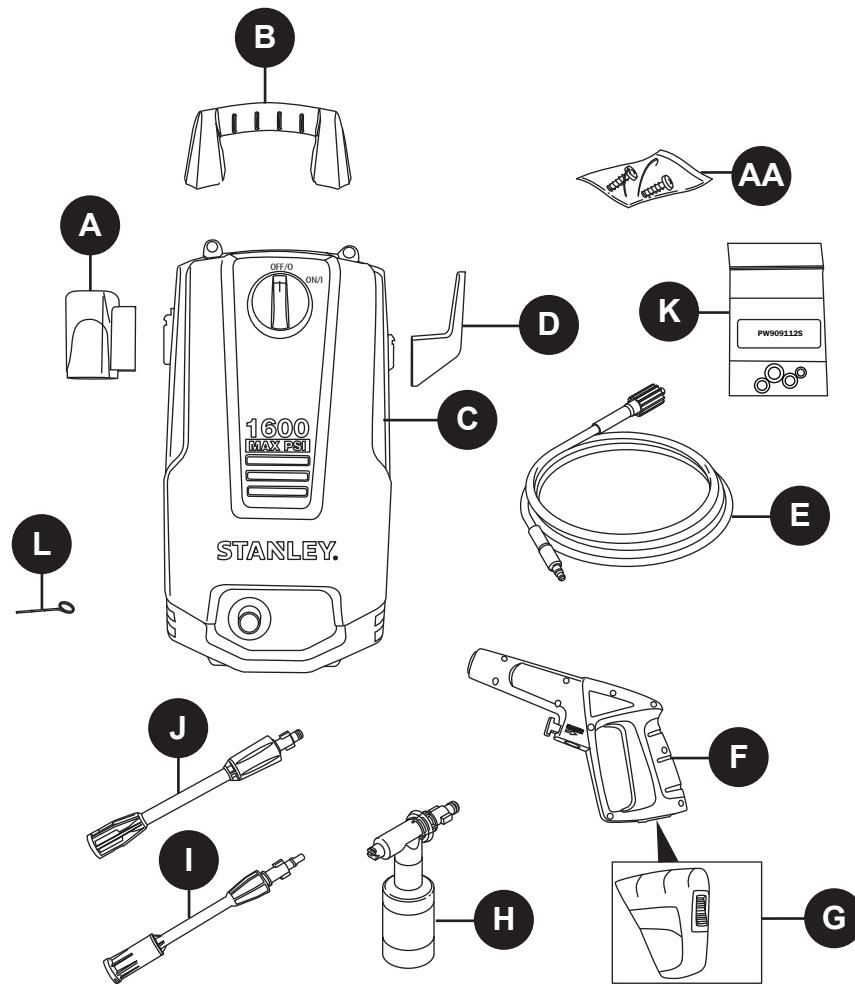
## TABLA DE CONTENIDO

Especificaciones del producto.....	34
Contenido del paquete .....	35
Aditamentos .....	35
Información de seguridad .....	36
Instrucciones de montaje .....	38
Instrucciones de operación.....	42
Cuidado y mantenimiento.....	44
Solución de problemas.....	46
Garantía limitada .....	47
Lista de piezas de repuesto .....	48

## ESPECIFICACIONES DEL PRODUCTO

ESPECIFICACIONES						
Modelo	Máx. PSI (kg/cm <sup>2</sup> ) (lb/pulgada <sup>2</sup> )	Máx. GPM (Litro/min) (gal/por min)	Agua fría	Voltios	Amperios	Peso (kg) (lb)
SHP 1600	4682 (1600)	4.9 (1.3)	✓	120	12	6.8 (15)

## CONTENIDO DEL PAQUETE



PIEZA	DESCRIPCIÓN	CANTIDAD
A	Funda de la pistola rociadora	1
B	Manija	1
C	Unidad de la lavadora a presión	1
D	Gancho del cable	1
E	PVC suave Manguera de presión alta	1
F	Pistola rociadora	1
G	Bloqueo/desbloqueo de la pistola rociadora	1

PIEZA	DESCRIPCIÓN	CANTIDAD
H	Botella de detergente	1
I	Lanza de la boquilla rociadora variable	1
J	Lanza de extensión	1
K	Kit de recambio de junta tórica	1
L	Alambre de limpieza de boquilla	1
AA	Tornillos	2

## ADITAMENTOS

**AA**



**Nota:** Los tornillos se encuentran en el paquete del manual

Tornillo  
Cantidad 2

## INFORMACIÓN DE SEGURIDAD

Lea y comprenda este manual completo antes de intentar montar, operar o instalar el producto.

Este manual contiene información relacionada con la PROTECCIÓN DE LA SEGURIDAD PERSONAL y la PREVENCIÓN DE PROBLEMAS DEL EQUIPO. Es muy importante que lea atentamente este manual y que lo comprenda completamente antes de utilizar el producto. Los símbolos que se describen a continuación se utilizan para indicar esta información.



### PELIGRO

Peligro potencial que **puede provocar lesiones graves o incluso la muerte.**



### ADVERTENCIA

Peligro que **podría provocar lesiones graves o incluso la muerte.**



### PRECAUCIÓN

Peligro potencial que **puede provocar lesiones moderadas o daños al equipo.**

**Nota:** La palabra "Nota" se utiliza para informar al lector de algo que el operador debe saber acerca de la herramienta.



### ADVERTENCIA

Para reducir el riesgo de lesiones, el usuario debe leer y comprender las instrucciones antes de utilizar este producto.

1. Advertencia: al utilizar este producto, siempre se deben seguir las precauciones básicas, incluido lo siguiente:
2. Lea todas las instrucciones antes de usar el producto.
3. Obtenga el conocimiento de cómo detener el producto y purgar la presión rápidamente. Esté completamente familiarizado con los controles.
4. Mantenga el área de operaciones sin personas.
5. No se estire demasiado ni se pare sobre un soporte inestable. Mantenga una buena posición y el equilibrio en todo momento.
6. Siga las instrucciones de mantenimiento como se especifica en el manual.
7. Para evitar lesiones personales o daños a la propiedad y para maximizar su experiencia con la lavadora a presión, siga cuidadosamente todos los consejos de seguridad, instrucciones, advertencias y salvaguardias, y familiarícese con todos los controles.
8. Esta lavadora a presión cumple con las normas de la Asociación de Normas Canadiense (CSA) y otras normas de seguridad y del consumidor. **NO** modifique o reconstruya ninguna pieza de la lavadora a presión.
9. **NO** utilice la lavadora a presión cuando se encuentre bajo la influencia del alcohol o de drogas. Utilice esta herramienta a presión cuidadosamente y solo cuando esté atento.
10. Cuide su equilibrio y postura al utilizar la lavadora a presión. Las superficies se vuelven resbaladizas al mojarse y son extraordinariamente resbaladizas al usar un detergente o limpiador.
11. **NUNCA** opere la lavadora a presión descalzo, con sandalias o zapatos abiertos.
12. Cuando utilice la lavadora a presión cerca de niños, asegúrese de que estén siendo supervisados de cerca por un adulto para evitar lesiones. **NUNCA** permita que un niño utilice la lavadora a presión.
13. Mantenga los dedos, las manos, los pies y cualquier parte del cuerpo a distancia de la corriente de agua de alta presión. El rociador de alta potencia puede ocasionar ceguera o hacer estallar la piel. Puede romper una ventana si se encuentra demasiado cerca al accionar el gatillo de la pistola rociadora.
14. **SIEMPRE** utilice gafas de protección para evitar lesiones a los ojos al operar la lavadora a presión.
15. Para evitar accidentes o lesiones, **SIEMPRE** use el bloqueo de seguridad del gatillo cuando no utilice la lavadora a presión, incluso si la rociadura se detiene por un momento.
16. La lavadora a presión está equipada con un interruptor de circuito por falla a tierra (GFCI), que reduce en gran medida el riesgo de una descarga eléctrica mientras la unidad está en uso. Si es necesario reemplazar el conector o el cable, utilice solo piezas de repuesto idénticas.
17. Apunte la pistola rociadora en una dirección segura al iniciar una sesión de lavado a presión.
18. **NUNCA** rocíe directamente a una persona, animal, dispositivo eléctrico ni rocíe la propia unidad.
19. Cuando use la pistola de rociadora, sostenga la pistola rociadora y la lanza con las dos manos cuando tire del gatillo (una mano para tirar el gatillo y la otra para estabilizar el ensamble de la pistola) hasta que se acostumbre al "retroceso" de la pistola rociadora.
20. Al presionar el interruptor de alimentación para apagar la lavadora a presión, la presión del agua puede quedarse en el sistema. Para descargar la presión, apunte la pistola rociadora en una dirección segura y tire el gatillo.
21. **NUNCA** rocíe líquidos inflamables.
22. **NUNCA** use la lavadora a presión en áreas que contengan polvo, líquidos o vapores combustibles.
23. Evite el contacto de la manguera de presión con objetos afilados e inspeccione la manguera con regularidad. Reemplace si se daña. Debido a la alta presión implicada, no se puede reparar si se corta o daña.

## INFORMACIÓN DE SEGURIDAD

24. Solo use el detergente formulado específicamente para lavadoras a presión y siga las instrucciones en la etiqueta del detergente.
25. Proteja los ojos, los pulmones y la piel de la exposición al detergente. El jabón para lavar platos o ropa es demasiado espeso y obstruirá la boquilla de la botella de detergente.

**IMPORTANTE:** Almacene la lavadora a presión bajo techo para evitar que el agua en la unidad se expanda en condiciones muy frías. Al congelarse y expandirse el agua, la lavadora a presión se dañará y dejará de funcionar. O bien, si se almacena al aire libre, se recomienda que utilice el protector de la bomba (no incluido) para proteger las bombas.

26. **NUNCA** use agua caliente con la lavadora a presión. Esto sobrecalentará y dañará la bomba de presión alta.
27. **NUNCA** abandone la lavadora a presión mientras está encendida "ON".
28. **SIEMPRE** abra el suministro de agua "ON" antes de conectar la alimentación de la lavadora a presión en "ON". Poner en funcionamiento la bomba en seco

- ocasionará daños en los componentes internos.
29. **NUNCA** utilice para la lavadora a presión un suministro de agua que exceda los 150 PSI máximo.
30. **NUNCA** desconecte la manguera de presión alta de la lavadora a presión mientras se presuriza el sistema.
31. **NUNCA** enganche de manera permanente los dispositivos del gatillo de la pistola rociadora.
32. **NUNCA** opere la lavadora a presión a menos que todos los componentes estén conectados de manera correcta y segura.
33. **NUNCA** permita que la bomba de la lavadora a presión funcione por más de un minuto después de cerrar el suministro de agua. Esto puede ocasionar que el motor y la bomba se sobrecalienten y fallen.
34. **NUNCA** utilice lanzas ni otras piezas que no sean compatibles con esta unidad Stanley específica.
35. **NUNCA** utilice un cable de alimentación de extensión debido a que este anula la efectividad del GFCI e incrementa la posibilidad de electrocutar al operador.
36. **NUNCA** rocíe las tomas de corriente con la lavadora a presión.
37. Inspeccione el cable de alimentación antes de utilizarlo. **NO** lo utilice si está dañado.

## CONSERVE ESTAS INSTRUCCIONES PARA FUTURAS CONSULTAS.

### Servicio de mantenimiento de un dispositivo de doble aislamiento

Protección del interruptor de circuito por falla a tierra:

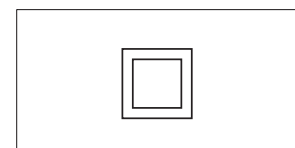
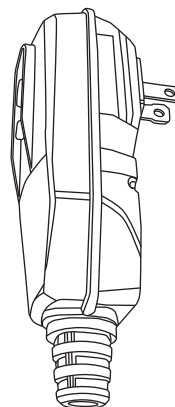
Esta lavadora a presión está provista de un interruptor de circuito por falla a tierra (GFCI) incorporado en los conectores del cable de suministro de alimentación. Este dispositivo proporciona protección adicional contra el riesgo de descarga eléctrica. Si es necesario reemplazar el conector o el cable, utilice solo piezas de repuesto idénticas que incluyan protección de GFCI.

En un producto de aislamiento doble, se proporcionan dos sistemas de aislamiento en lugar de la conexión a tierra. Para un producto de aislamiento doble no se proporciona medios de conexión a tierra, ni se deben agregar medios de conexión a tierra al producto.

El mantenimiento de un producto de doble aislamiento requiere cuidado extremo y conocimiento del sistema, y solo lo debe realizar personal de servicio cualificado.

Las piezas de repuesto para un producto de doble aislamiento deben ser idénticas a las piezas originales.

Un producto de doble aislamiento está marcado con las palabras "Aislamiento doble" o "Doble aislamiento". El producto también podría estar marcado con el símbolo que se muestra aquí.



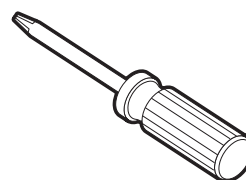
**Producto de doble aislamiento**

## PREPARACIÓN

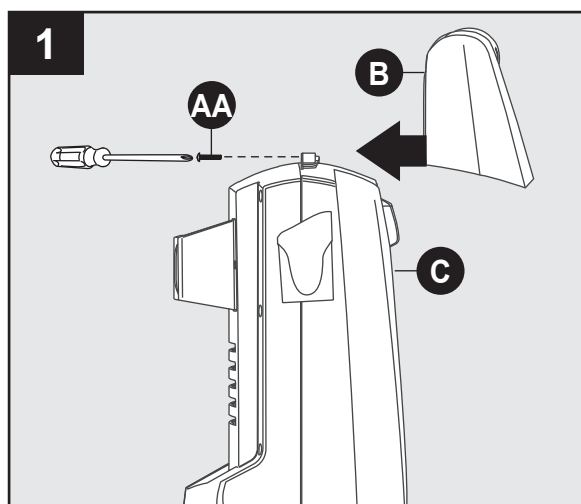
Antes de comenzar el montaje del producto, asegúrese de que todas las piezas estén presentes. Compare las piezas con la lista de contenido del paquete y la lista de aditamentos. Si alguna pieza falta o está dañada, NO intente montar el producto.

Tiempo de montaje estimado: 5 minutos

Herramientas requeridas para el montaje (no incluidas):  
Destornillador Phillips



## INSTRUCCIONES DE MONTAJE



### Montaje de la unidad de alimentación

Instale la manija (B) a la unidad de la lavadora a presión (C).

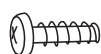
Fije con los tornillos (AA).

**Nota: NO** utilice un destornillador eléctrico. Cuando el tornillo esté completamente apretado, de un pequeño giro final hacia la derecha del destornillador. **NO** apriete demasiado.

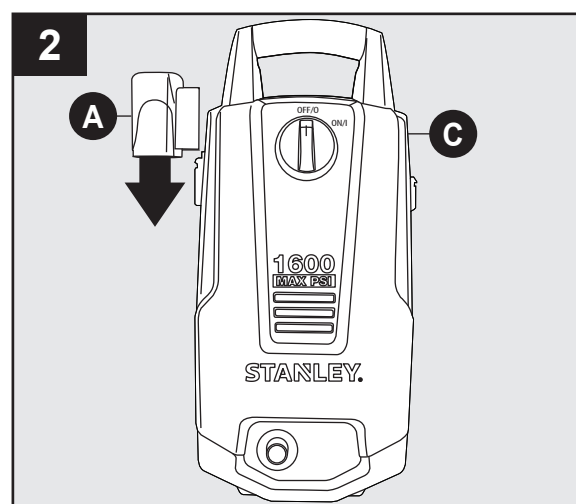
### Aditamentos que se utilizan:

AA

Tornillo



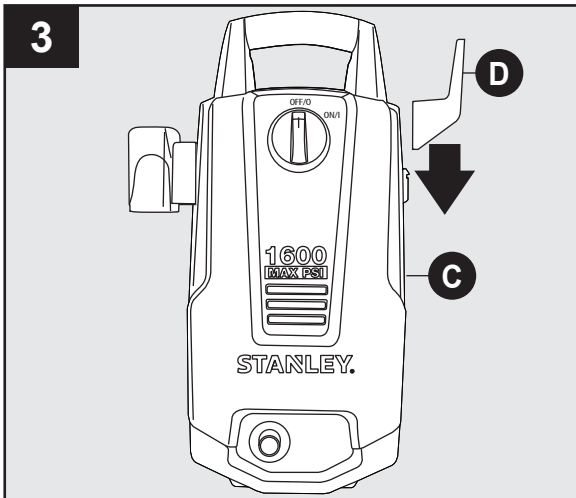
x 2



Deslice la funda de la pistola rociadora (A) en el lado izquierdo, estando frente a la unidad de la lavadora a presión (C), tal como se muestra.

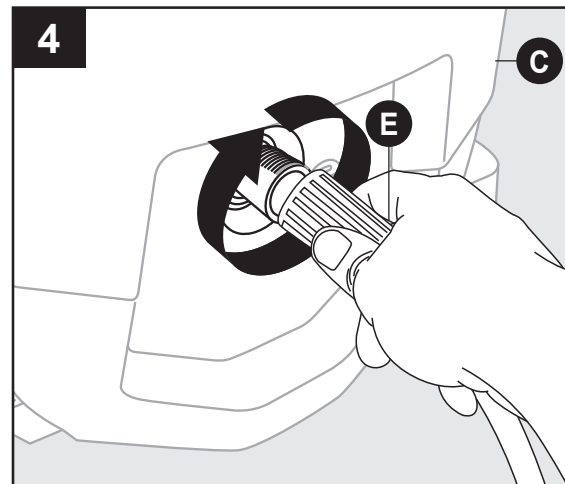
**Nota:** Este paso no requiere ningún tornillo.

## INSTRUCCIONES DE MONTAJE



Deslice la funda del gancho del cable (D) en el lado derecho, estando frente a la unidad de la lavadora a presión (C), tal como se muestra.

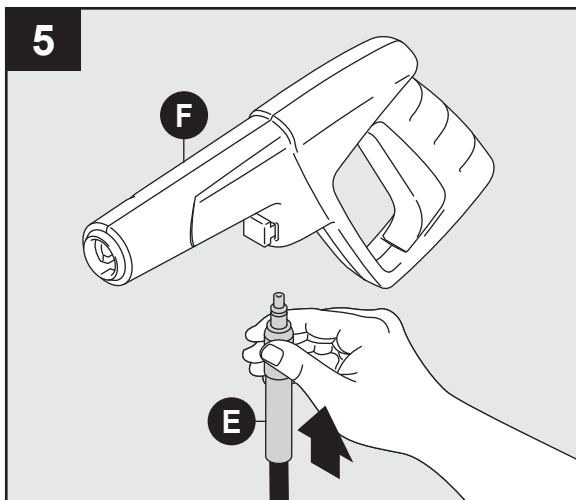
**Nota:** Este paso no requiere ningún tornillo.



### Montaje de la PVC suave manguera de presión alta

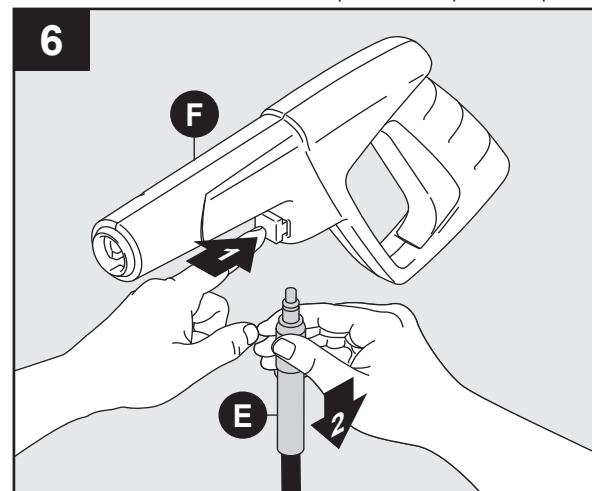
Atornille la PVC suave manguera de presión alta (E) hacia la derecha en la parte inferior delantera de la unidad de la lavadora a presión (C). Tire hacia atrás el collarín e inserte la varilla del empaque de anillo en la salida de agua lo suficiente para que el collarín se pueda enroscar en la salida hasta que esté apretado con la mano. Si le da menos de seis vueltas no ha apretado apropiadamente el conector de la PVC suave manguera de presión alta. Es más fácil colocar la lavadora a presión frente a usted para asegurarse de que las roscas inician correctamente. No apretar correctamente la PVC suave manguera de presión alta ocasionará que la manguera se deslice o salga disparada inmediatamente al encender la unidad. No se preocupe por daños si esto ocurre, simplemente vuélvala a instalar y tenga especial cuidado al enroscar el conector de la manguera de presión alta.

**Nota: NO** utilice alicates ni pinzas de presión para apretar.



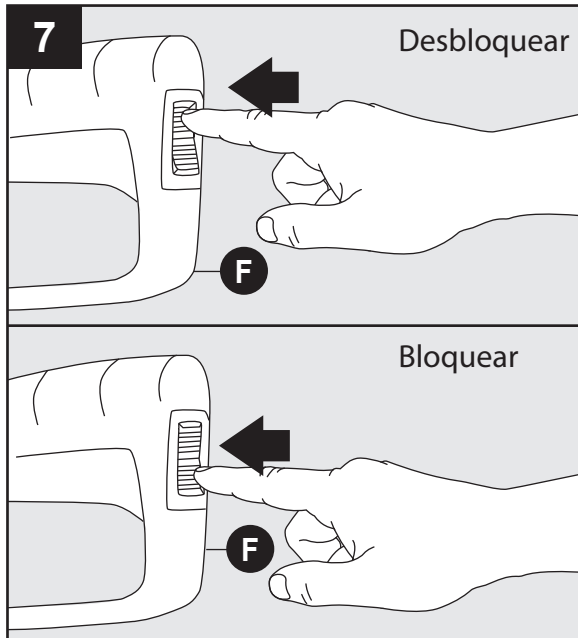
Conecte el otro extremo de la PVC suave manguera de presión alta (E) a la pistola rociadora (F) insertando la punta de metal plateada de la manguera de presión alta en el conector justo antes del protector del gatillo. Se fijará en la pistola rociadora con un "clic". Confirme que la manguera está bloqueada en la pistola rociadora jalando levemente la manguera. La manguera está ahora conectada de manera segura a la pistola rociadora.

**Nota: NO** presione el botón en la parte inferior de la pistola cuando conecte la manguera a la pistola.



Para liberar la manguera (E) de la pistola rociadora (F), presione el botón en la parte inferior de la pistola hacia el protector del gatillo. La manguera se deslizará hacia afuera de la conexión.

## INSTRUCCIONES DE MONTAJE

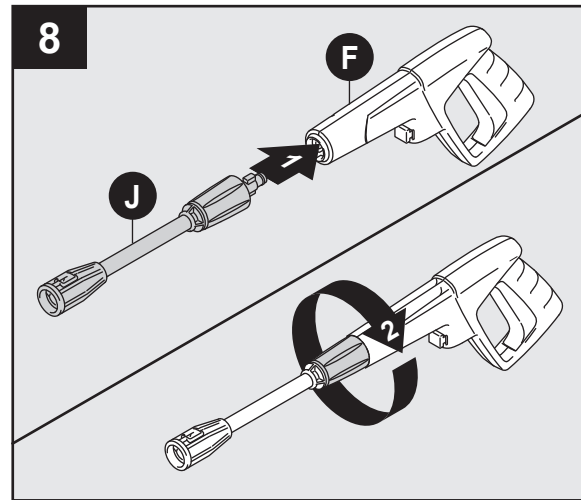


### Bloquear la pistola rociadora (antes de la instalación de la lanza)

Para bloquear el gatillo de la pistola rociadora (F), apunte la pistola lejos de usted y presione la mitad inferior del botón de bloqueo para enganchar el seguro. Oprima o tire del gatillo para asegurarse de que está bloqueada.

**SIEMPRE** deje el botón de bloqueo en posición bloqueada cuando no esté en uso. Esto garantiza que la pistola esté en modo "seguro" hasta que esté lista para su uso. Para desbloquear, presione la mitad superior del botón de bloqueo para liberar.

**Nota:** El bloqueo del gatillo evita que el gatillo se enganche por accidente.



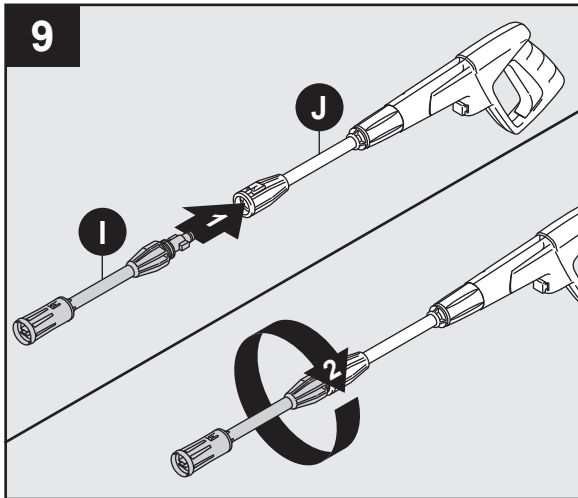
### Instalación de la lanza de extensión

Con la pistola rociadora (F) en posición bloqueada, acople la lanza de extensión (J) directamente a la pistola rociadora. Inserte la extensión de la lanza en la pistola, presionando conjuntamente y girando hacia la derecha simultáneamente. Gire el collarín de la extensión hacia la derecha para bloquearla en su lugar. Para retirar la lanza de extensión (J), gire el collarín de la extensión hacia la izquierda para desbloquear y luego presione conjuntamente y gire hacia la izquierda para liberar.

**Nota:** La lanza de extensión se debe insertar en la pistola antes de usar cualquiera de los otros aditamentos y en su lugar para el almacenamiento. Se recomienda que una vez se conecta la extensión se deje en su lugar.



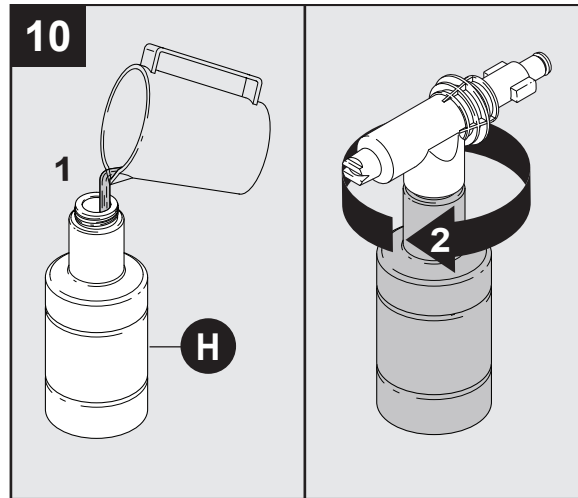
## INSTRUCCIONES DE MONTAJE



### Instalación de la lanza de la boquilla rociadora variable

Inserte la lanza de boquilla variable (I) o la botella de detergente (H) en el extremo de la lanza de extensión insertando y presionando a la vez que gira hacia la derecha simultáneamente. Para retirar presione conjuntamente y gire hacia la izquierda.

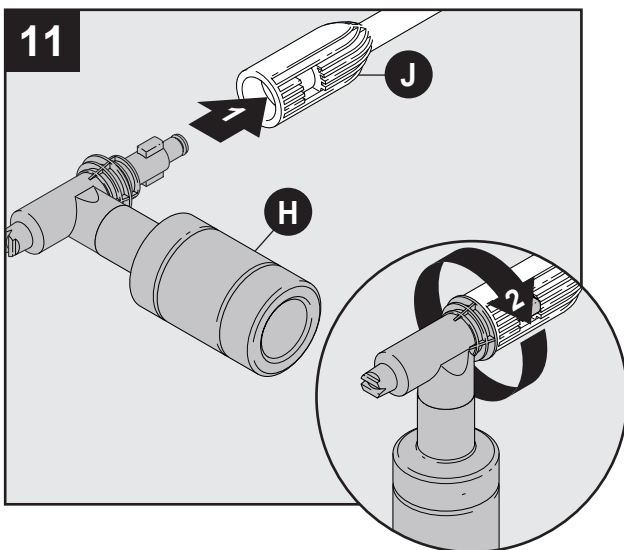
**Nota:** Presione el botón de bloqueo de seguridad para bloquear el gatillo cuando cambie las lanzas para garantizar que no se expulsan accidentalmente con fuerza durante la desinstalación.



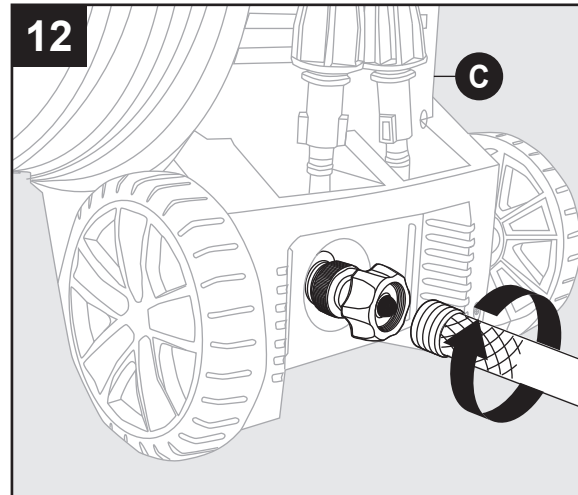
### Instalación de la botella de detergente

La botella de detergente viene con una pajilla que se adapta en la tapa con rosca. Si no ve la pajilla, mire dentro de la botella y acóplela en la tapa con rosca. Cuando use la botella de detergente, llénela con un detergente o limpiador formulado apropiadamente con una proporción de agua de acuerdo a las instrucciones en el envase.

- Se recomiendan los detergentes para lavadora a presión. Consulte la página 45 para obtener más información.
- **NO** use detergentes espesos ni de tipo gel ya que obstruirán la lavadora a presión y podrían ocasionar daños.



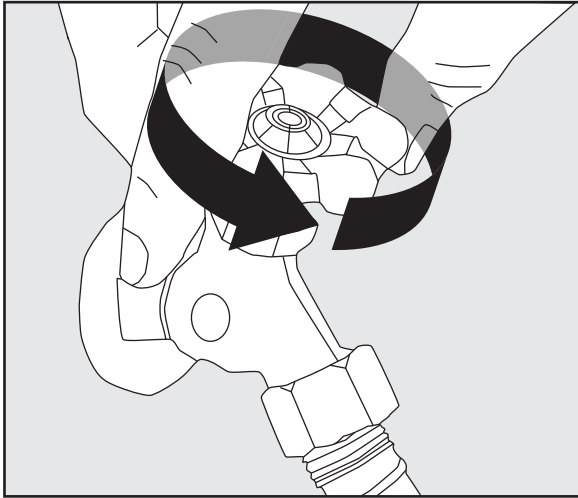
Inserte la botella de detergente (H) en la lanza de extensión (J), presione y gire hacia la derecha



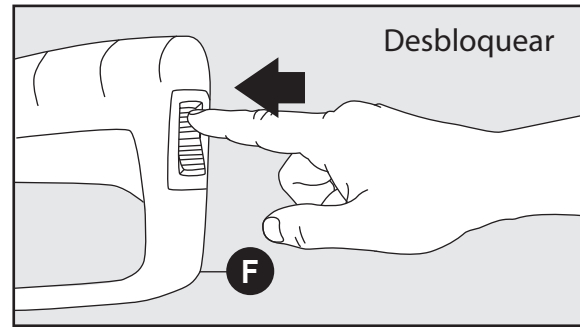
Adjuntar una manguera de jardín a construido en manguera de jardín Sim situado en la parte trasera de la arandela de la energía Unidad (c).El agua está ahora conectado a tu poder de lavado.

**NOTA:** Enjuagar la manguera antes de conectar Adaptador para manguera de jardín.

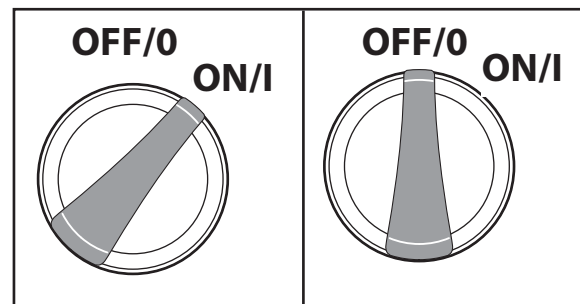
## INSTRUCCIONES DE OPERACIÓN



- Abra el suministro de agua con el grifo completamente abierto.
- Asegúrese de que el interruptor "ON/OFF" esté en la posición "OFF". El interruptor de encendido tiene símbolos internacionales para "on" y "off": On (I) Off (O).
- Desenrolle completamente el cable de alimentación y conecte el GFCI en una toma de 120 voltios a tierra.
- Libere el botón de bloqueo de seguridad en la pistola rociadora presionando la mitad superior del botón de bloqueo de seguridad. Mientras apunta la pistola rociadora a una dirección segura, apriete el gatillo de la pistola rociadora hasta que haya un flujo constante de agua, permitiendo que el agua y el aire salgan de la manguera.

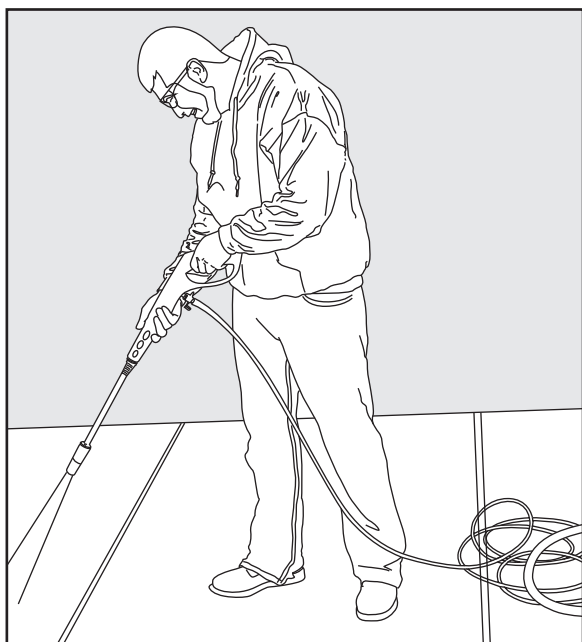


- Gire el interruptor de alimentación a la posición "ON" (I). La unidad se encenderá durante 1 o 2 segundos y se apagará. Este es un procedimiento normal de la función de arranque automático. Apriete el gatillo de la pistola rociadora para comenzar el lavado a presión.

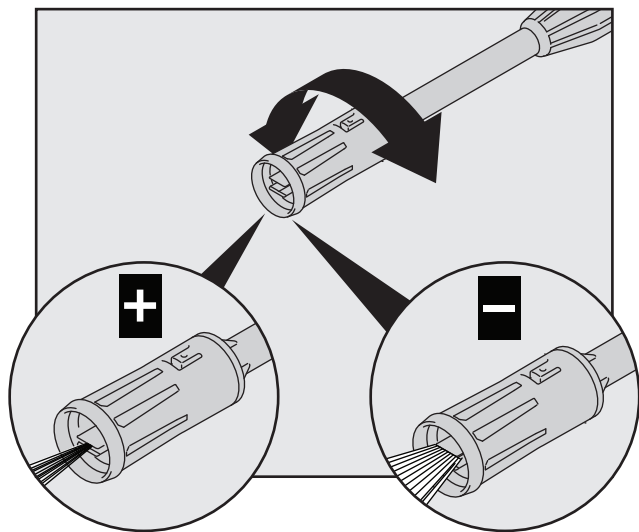


## INSTRUCCIONES DE OPERACIÓN

- Comience el lavado a presión apretando el gatillo de la pistola rociadora completamente en la manija.
- Libere el gatillo de la pistola rociadora para detener la lavadora a presión.
- Deje que el motor se detenga por completo antes de apretar el gatillo de nuevo.
- Oprimir rápidamente hará que la función de arranque automático pierda un ciclo de on/off lo que puede impedir que se encienda mientras aprieta el gatillo después de oprimir de manera rápida. Mediante jalones del gatillo pausados lentos evita este proceder.



- **Siempre pruebe** en un área pequeña para evitar la posibilidad de dañar la superficie.



- Cuando utilice la boquilla rociadora variable, el patrón de rociado y la intensidad se puede ajustar para cada tarea al girar la boquilla rociadora en el extremo de la lanza.

### Consejos para la operación

- Si escucha que el motor funciona de forma intermitente cuando no se aprieta el gatillo, eso es normal. La bomba se está purgando para que esté lista para funcionar cuando se apriete el gatillo. Apague la lavadora a presión si no se usa después de cinco minutos.
- Los empaques de anillo en el extremo de la bayoneta de la boquilla se debe limpiar regularmente y lubricar con grasa no soluble en agua, como la vaselina.
- Conserve el alambre de limpieza de la boquilla para utilizarlo para destapar la boquilla. Si pierde el alambre de limpieza, un sujetapapeles enderezado también funcionará.

### Cómo evitar dañar las superficies

- Los daños a las superficies que se limpian se producen debido a que la fuerza del impacto de la presión del agua es superior a la durabilidad de la superficie. La madera sin acabado se puede penetrar, la pintura se puede descascarar, etc. Puede variar la fuerza de su lavadora a presión mediante el control de:
  1. El ángulo de la superficie que se limpia
  2. La distancia de la boquilla de la superficie que se limpia
- **NUNCA** utilice un flujo de agua de presión alta pequeño sobre superficies suaves susceptibles a los danos.

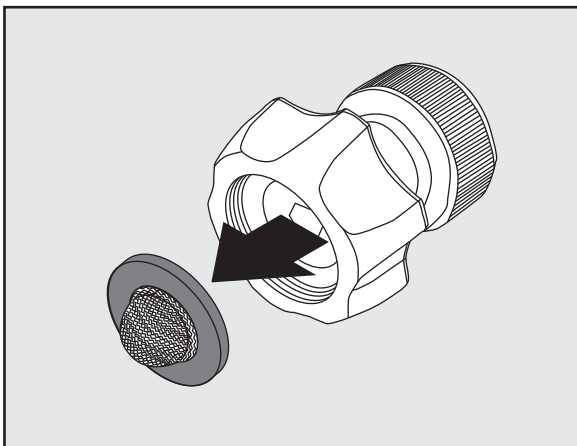
## CUIDADO Y MANTENIMIENTO

### Detergentes

- Utilice detergentes diseñados para lavadoras a presión. Estos se pueden comprar en línea en nuestro sitio web [www.stanleypressurewashers.com](http://www.stanleypressurewashers.com). Las ferreterías o los centros para el hogar también tienen detergentes para lavadora a presión para diferentes trabajos de limpieza. La solución de limpieza debe tener la consistencia del agua para evitar la obstrucción de la boquilla y de la botella de detergente.
- Este sistema aplica detergente a baja presión. La capacidad de limpieza de los detergentes mejora cuando se aplica con baja presión y se le da el tiempo suficiente para romper la suciedad y la mugre. La combinación de baja presión y la acción química es muy eficaz y puede ser mejor que restregar, si se aplica correctamente. SIEMPRE rocíe detergente sobre una superficie seca. NO remoje previamente. Al mojar la superficie primero, se diluye el detergente y reduce su capacidad de limpieza. NO permita que el detergente se seque sobre la superficie. Al limpiar superficies verticales, aplique detergente en las superficies inferiores y suba poco a poco para evitar que el detergente haga rayas en la suciedad o mugre. Enjuague el detergente mediante el lavado a presión de abajo hacia arriba por la misma razón.
- Si una mancha es particularmente difícil, puede ser necesario aplicar de nuevo detergente y utilizar un cepillo de cerdas para restregar la mancha. El lavado a presión posterior al cepillado debe completar con éxito el trabajo de limpieza.

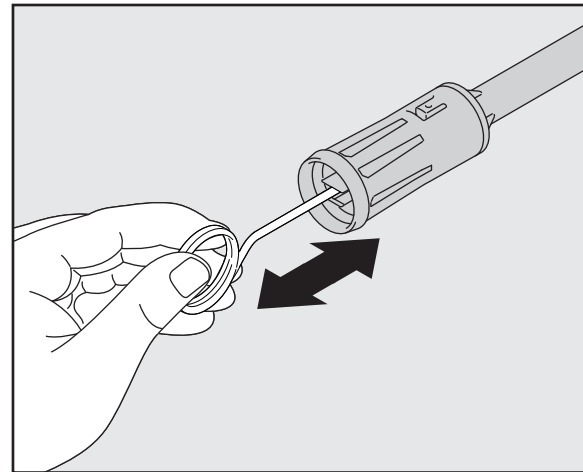
### La limpieza de la manguera de jardín SIM

- Las pantallas en el interior del adaptador se deben limpiar periódicamente. Enjuáguela con agua limpia y luego colóquela de nuevo en el adaptador.



### Limpieza de las boquillas

- Una boquilla obstruida o parcialmente obstruida puede ocasionar una reducción significativa de la presión del agua que sale de la boquilla y hacer que la unidad vibre durante el rociado.
- Apague la unidad.
- Cierre el suministro de agua a la unidad.
- Alivie cualquier presión atrapada en la manguera apretando el gatillo de 2 a 3 veces y luego bloquee la pistola rociadora presionando el botón de bloqueo de izquierda a derecha.
- Retire la lanza de la lanza de extensión
- Retire la lanza de boquilla rociadora variable. Gire la boquilla para reducir el ajuste del flujo que liberan las aspas del ventilador
- Utilice el limpiador de la punta de la boquilla proporcionado (o un portapapeles desdoblado), inserte el alambre en el agujero de la boquilla y muévalo hacia adelante y hacia atrás hasta que los residuos se desprendan.
- Golpee ligeramente el extremo de la conexión rápida de la lanza sobre una superficie dura varias veces
- Lave a contracorriente con agua a través de las boquillas con la manguera de jardín y a la máxima presión disponible (ya sea con la boquilla de agua estándar o con el pulgar sobre la boquilla para crear la presión de agua para el lavado a contracorriente).



## CUIDADO Y MANTENIMIENTO

### Almacenamiento

- Cuando termine la sesión de lavado a presión, apague el interruptor de alimentación ubicado en la parte delantera de la lavadora a presión. Desconecte el cable de alimentación de la toma de corriente. Cierre el suministro de agua. Jale el gatillo de la pistola rociadora de 2 a 3 veces para drenar el exceso de agua y para liberar cualquier presión de agua que quede. Desconecte el adaptador de la manguera de jardín de la entrada de agua. NO permita que la lavadora a presión funcione sin que pase un flujo de agua a través de ella.
- Retire la botella de detergente y límpiela completamente. Los restos de químicos se adherirán al recipiente y pueden ocasionar que el inyector de detergente se obstruya y no funcione correctamente.
- Retire la manguera de presión alta de la pistola rociadora.
- Retire la lanza de la pistola. Coloque la pistola en el soporte al lado. Las lanzas se colocan en cualquiera de las ranuras en la parte trasera de la unidad. Asegúrese de desechar cualquier resto de detergente de la botella. Enjuague la botella y la cabeza de la boquilla con agua fresca para evitar la obstrucción.
- Enganche el cable de alimentación alrededor del gancho del cable en el lado derecho de la máquina estando de frente a esta.

## SOLUCIÓN DE PROBLEMAS

Si tiene alguna pregunta sobre el producto, llame a Servicio al cliente al 1-866-508-1330.

PROBLEMA	ACCIÓN CORRECTIVA
La unidad no enciende.	<ol style="list-style-type: none"> <li>1. El módulo del GFCI en el extremo del cable de alimentación se debe conectar directamente a una toma de corriente.</li> <li>2. No utilice un cable de extensión.</li> <li>3. Con el GFCI conectado asegúrese de que el interruptor de alimentación esté en on.</li> </ol> <p><b>Nota:</b> Cuando el interruptor de alimentación está en on, la lavadora a presión se encenderá por 1 o 2 segundos y se apagará. Esto es normal.</p>
La manguera de presión alta (HP) no se conecta/permanece conectada a la pistola rociadora. ¿Es este un problema de la pistola rociadora?	<ol style="list-style-type: none"> <li>1. En la mayoría de los casos, la pistola rociadora no es el problema. El problema es la funda de caucho que cubre el conector en el extremo de la manguera de presión alta. Es probable que se haya deslizado hacia la punta de metal. Para arreglarlo: mueva, gire o jale la funda de caucho hacia abajo hasta que se pueda ver toda la punta más 0,317 cm (1/8 pulgadas) del conector de metal debajo de la punta. Ahora trate de insertar la punta de la manguera en la pistola rociadora. Debe hacer "clic" en su lugar y no saldrá hasta que la manguera se libere presionando la palanca en la parte inferior de la pistola. Puede cortar el extremo de la funda con un cuchillo afilado si no puede mover la funda hacia abajo. Tenga cuidado de no cortar ni perforar la manguera.</li> <li>2. No presione el botón de liberación cuando se conecta la manguera de presión alta.</li> </ol>
La unidad está funcionando, pero no hay flujo de agua.	<ol style="list-style-type: none"> <li>1. Revise la fuente de agua. Destape la boquilla en la lanza. (Consulte las instrucciones de limpieza de la boquilla en "Limpieza de boquillas"). O, retire la lanza y simplemente rocíe desde la pistola rociadora. Esto indicará si el problema está en la lanza.</li> </ol>
¿Por qué hay fugas de agua en la conexión de la manguera de presión alta a la pistola rociadora?	<ol style="list-style-type: none"> <li>1. Cerciorarte de que haya una junta torica en el extremo de la punta de metal de la manguera de alta presión. Si no la junta torica es presente, la conexión entre la manguera y la pistola se fuga. O - Ring reemplazos se incluyen en el paquete de contenido.</li> </ol>
No puedo retirar la lanza de la pistola rociadora. ¿Qué debo hacer?	<ol style="list-style-type: none"> <li>1. Todas las lanzas y las botellas de detergente se acoplan y se retiran de la lanza de extensión de la misma forma. Inserte el extremo de liberación rápida de la lanza/botella de detergente en la lanza de extensión. Presione la lanza de extensión y la lanza conjuntamente (aproximadamente 0,317 cm [1/8 pulgadas]) y gire hacia la derecha. La lanza se bloqueará en su lugar. Retire la lanza revirtiendo este procedimiento. Presione la lanza de extensión y la lanza conjuntamente y gire hacia la derecha. La lanza se deslizará hacia afuera.</li> <li>2. O bien, sostenga la lanza de extensión y la lanza en posición vertical con el extremo de la boquilla en el suelo. Presione todo el conjunto hacia abajo para aflojar la conexión y, a continuación, siga el procedimiento de desinstalación de nuevo. También puede rociar agua jabonosa o un lubricante en el área de la conexión de la lanza a la lanza de extensión.</li> </ol>
La lavadora a presión se enciende por 2 segundos, se apaga y no vuelve a encender. ¿Tengo una unidad defectuosa?	<ol style="list-style-type: none"> <li>1. Parece que la lavadora a presión trabaja muy bien. Cuando se conecta el agua, los accesorios están montados apropiadamente y el interruptor de alimentación está en on, la lavadora a presión puede encender por 1 o 2 segundos para purgar la bomba. Se apaga automáticamente y espera que el gatillo de la pistola rociadora se presione. Cuando el gatillo se presiona, el agua comienza a fluir a través de la bomba. El sensor de agua en la bomba "detecta" el agua en movimiento y enciende automáticamente la lavadora a presión.</li> <li>2. Coloque el interruptor de alimentación en off, mantenga presionado el gatillo de la pistola rociadora, para tener un flujo constante de agua. Mientras mantiene el gatillo abierto en la pistola rociadora, al mismo tiempo, coloque el interruptor de alimentación a on.</li> </ol>

## GARANTÍA LIMITADA

La garantía de este producto está cubierto por A.R.North America.

Este producto tiene una garantía de 2 (dos) años. Por favor lea lo siguiente para entender lo que implica cada uno de garantía:

Este producto está en garantía al consumidor minorista original contra defectos de material y mano de obra durante un período de 1 (un) año y es un “parachoques a parachoques” garantía completa que incluye la pistola, la manguera de alta presión y todos los accesorios de la fecha de compra. La garantía no es transferible o asignable. Esta garantía cubre las piezas de recambio. Esto limita un año de garantía se aplica únicamente a los productos utilizados en aplicaciones de consumo y es nula en alquiler o cualquier aplicación comercial. Cuidado razonable debe ser utilizado de acuerdo con las instrucciones de operación y mantenimiento en la guía de inicio manual y rápida del propietario. Si no se siguen estas instrucciones, se anulará esta garantía. Esta garantía le otorga derechos legales específicos y usted también puede tener otros derechos que varían de un estado a otro.

El segundo año de la garantía sólo cubre defectos de fabricación.

### Proceso de garantía

Guarde su recibo original de compra en caso del reclamo de garantía.

Si la lavadora a presión desarrolla un problema, comuníquese con Servicio al cliente:

- Llame a nuestro número gratuito 1-866-508-1330. Servicio al cliente está disponible de lunes a viernes de 8:00 a. m. a 5:00 p. m., hora estándar del centro (CST). La persona de Servicio al cliente trabajará con usted para solucionar el problema.

Si la lavadora a presión se tiene que retornar para su reparación, el cliente debe pagar los costos de envío a la compañía. Se emitirá un **Número de autorización de devolución de mercancía (RMA)** para la devolución. Al recibir la lavadora a presión, la empresa reparará o reemplazará la unidad. Enviaremos de vuelta la unidad al cliente sin cargo alguno.

Tenga en cuenta: las lavadoras a presión que se envíen a la empresa **sin número RMA no se aceptarán** y se enviarán de vuelta a expensas del remitente.

### Dirección del remitente:

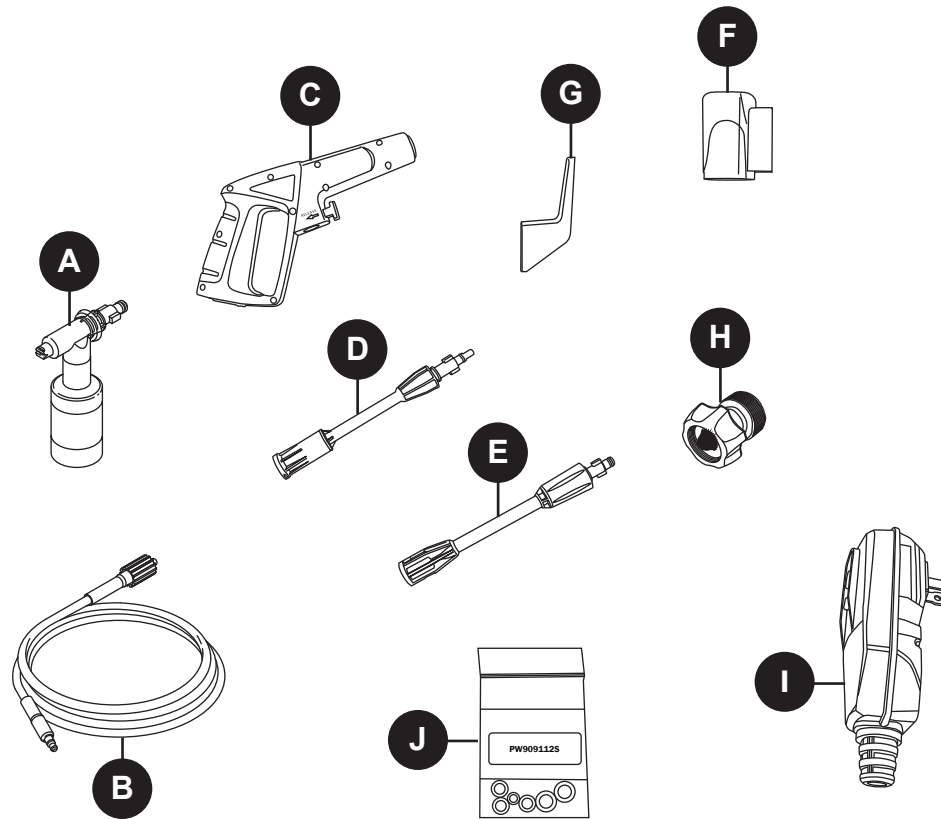
A.R. North America, Inc.  
140 81<sup>st</sup> Avenue North East  
Fridley, MN 55432

### Fabricado por:

A.R. North America, Inc.  
140 81<sup>st</sup> Avenue North East Fridley, MN 55432

## LISTA DE PIEZAS DE REPUESTO

Para obtener piezas de repuesto, llame a nuestro Departamento de Servicio al Cliente al 1-866-508-1330, 8:00 a. m.–5:00 p. m., hora estándar del centro, de lunes a viernes o realice el pedido en línea en [www.stanleypressurewashers.com](http://www.stanleypressurewashers.com)



PIEZA	DESCRIPCIÓN	PIEZA N.º
A	Botella de detergente (14 onzas)	PW50954
B	PVC suave Manguera	PW4221500
C	Pistola rociadora	PW4221390
D	Lanza de la boquilla rociadora variable	PW4120410
E	Lanza de extensión	PW4120400

PIEZA	DESCRIPCIÓN	PIEZA N.º
F	Funda de la pistola	PW4220580
G	Gancho del cordón	PW4220590
H	Adaptador de manguera de jardín	PW4221580
I	Ensamble del GFCI	PW4221160
J	Kit de recambio de junta tórica	PW909112S

Impreso en China

© 2016 Stanley Black & Decker, Inc.

Fabricado por:

A.R. North America, Inc.

140 81<sup>st</sup> Avenue North East Fridley, MN 55432

48

**STANLEY® and the STANLEY® logo are trademarks of Stanley Black & Decker, Inc. or an affiliate thereof and are used under license.**