

†

¶

†

†

†

†

†

†

†

†

†

†

*

*

*

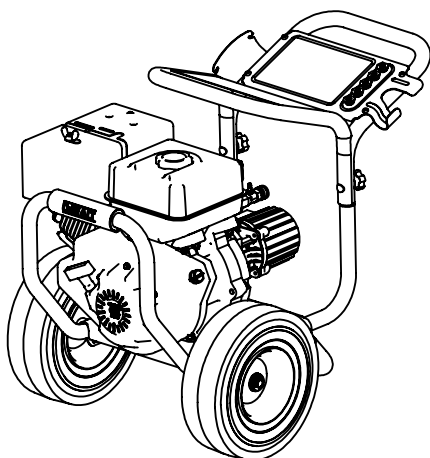
ITEM	PART NUMBER	DESCRIPTION	QTY
1	7105372	FRAME, FLAT BLACK ASSEMBLY WITH LABELS	1
2.1	7104807	HANDLE, REAR FLAT BLACK	1
2.2	7104837	PLATE, DASHBOARD YELLOW	1
2.3	7103161	HOLDER, RUBBER, 5 NOZZLE	1
2.4		SCREW, 1/4-20 X 3/4 TORX PANHEAD	4
3	7105374	HANDLE, REAR, QUICK START WITH LABELS	1
4	7103577	ENGINE, SVC ASSY GX390UT2QAA2	1
5	7105453	SHAFT KEY, 1/4" SQ. X 1-1/2	1
6	7105982	PUMP, SVC ASSY, CAT 67DX39G11	1
6.1	7103265	PUMP, CAT 67DX39G11	1
6.2	7100051	INLET ADAPTER, GARDEN-F TO .500 NPT-M	1
6.3	7100019	COUPLER, OUTLET 3/8" QC(F) X 3/8" NPT(F)	1
6.4	7102470	PLUG, 3/8" NPT(M)	1
6.5	7101359	VALVE, THERMAL RELIEF 1/4" NPT(M)	1
6.6		BOLT, 3/8" - 16 X 1.25	4
6.7		WASHER, SPLIT LOCK 3/8	4
7	7105376	WHEEL KIT, SVC ASSY, 13"	2
7.1		WHEEL, POWER WASHER	1
7.2		WASHER, 5/8" FLAT	1
7.3		CLIP, E-TYPE, STEEL	1
8	7103292	FOOT KIT, RUBBER FOOT & SCREW	2
8.1		RUBBER FOOT, 1.5IN X .0625IN	1
8.2		SCREW, 1/4-20 TORX PANHEAD	1
9	7103277	HARDWARE KIT, ENGINE MOUNTING	1
9.2		NUT, WHIZ	4
10	7104570	HARDWARE KIT, HANDLE MOUNTING	2
10.1		BOLT, SADDLE	1
10.2		NUT, HAND TIGHT	1
11	7101683	NOZZLE SET, 5 PC. 4.0	1
12	7104641	HANDLE GRIP, VINYL COVER, YELLOW	1
13	7103240	GUN AND WAND 5075PSI, 3/8" PLUG X M22(F)	1
14	7103261	LANCE, 31" WITH M22(M) X 1/4" QC(F)	1
15	7103642	HOSE, 3/8" X 4500PSI X 50FT X 3/8" QC	1
16	7102207	SOAP HOSE AND FILTER KIT	1
17	7102045	TOOL, NOZZLE CLEANING, UNIVERSAL	1
18	7104926	MANUAL, OPERATORS, DXPW60605 SPECIFIC	1
19	7104833	BOX, SHIPPING DXPW60605 SPECIFIC	1

† NOT SOLD SEPARATELY

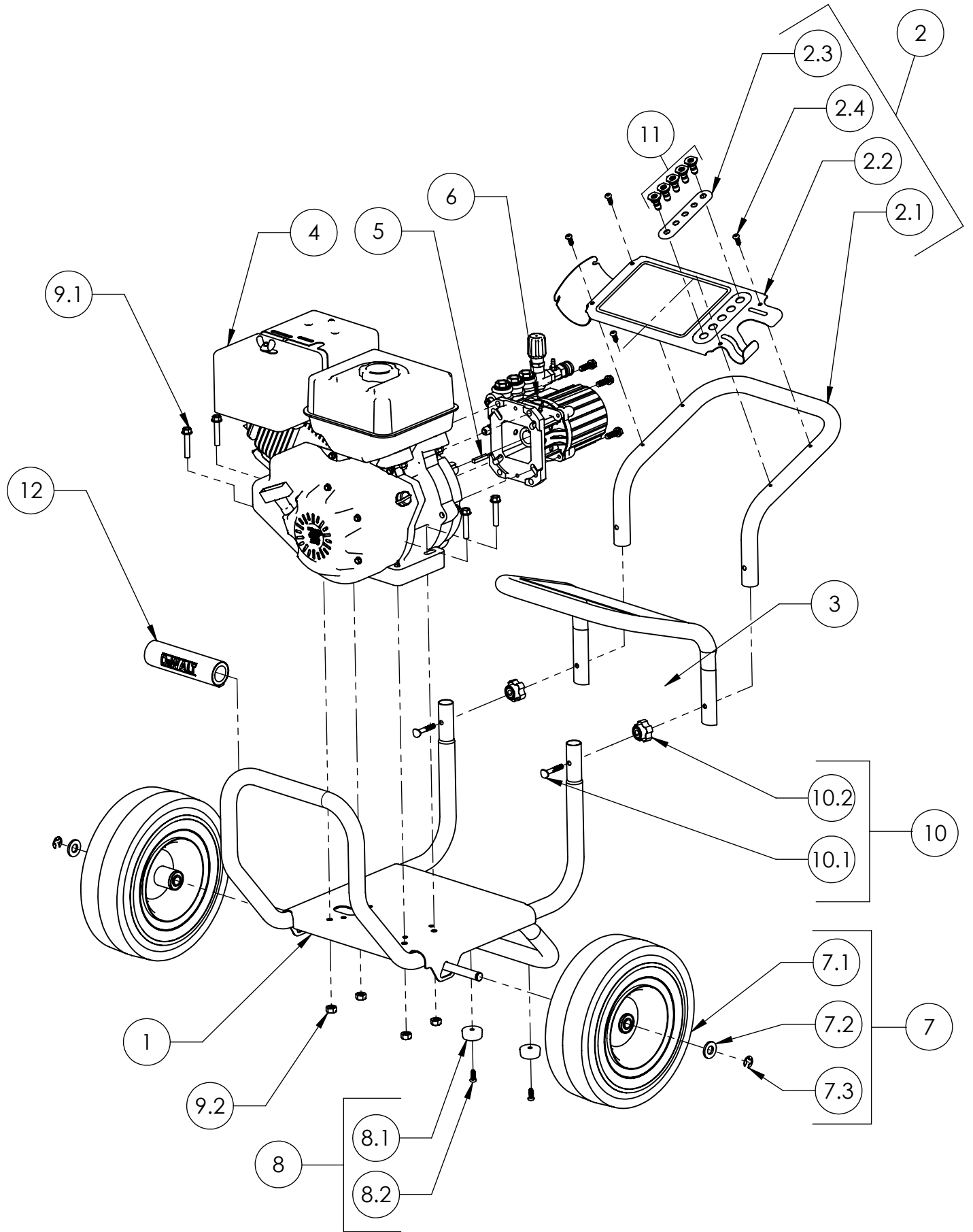
* NOT SHOWN

PUMP IDENTIFICATION TABLE

MACHINE SERIAL NO.	PUMP MODEL	PUMP PART NO.	PUMP KIT
304113 TO PRESENT	CAT 67DX39G11	7103265	7105982

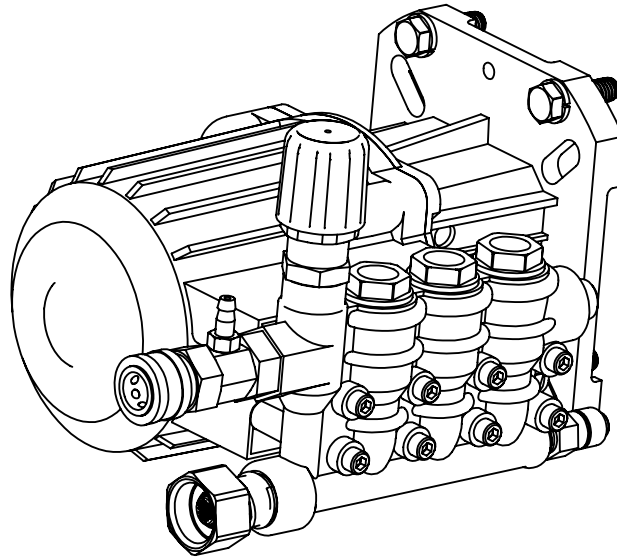


NAME			DATE			FNA-GROUP		
DRAWN	MAV	8/13/2012	1265 INDUSTRIAL STREET, DECATUR, AR 72722					
CHECKED	M.G.	8/21/2012	TITLE:					
ENG APPR.	S.W.	8/21/2012	DXPW60605					
MFG APPR.	-	-	SIZE					
Q.A. APPR.	J.P.	9/21/2012	A					
SERVICE APPR.	D.H.	9/20/2012	DWG. NO.					
PROPRIETARY AND CONFIDENTIAL			60605-S					
THE INFORMATION CONTAINED IN THIS DRAWING IS THE SOLE PROPERTY OF FNA-GROUP. ANY REPRODUCTION IN PART OR AS A WHOLE WITHOUT THE WRITTEN PERMISSION OF FNA-GROUP IS PROHIBITED.			REV.					
			A					
			SCALE: N/A			ECN# DC12-0093		
			SHEET 1 OF 6					



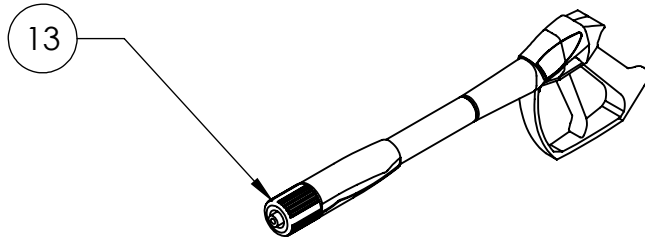
SIZE	DWG. NO.	REV.
A	60605-S	A
SCALE: N/A	ECN# DC12-0093	SHEET 2 OF 6

PUMP ASSEMBLY KIT
PART NO. 7105982

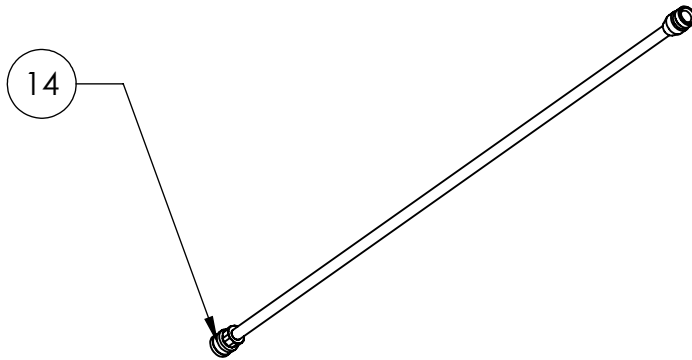


ITEM	PART NO.	DESCRIPTION	QTY
6.1	7103265	PUMP, CAT 67DX39G11	1
6.2	7100051	INLET ADAPTER, GARDEN-F TO .500 NPT-M	1
6.3	7100019	COUPLER, OUTLET 3/8" QC(F) X 3/8" NPT(F)	1
6.4	7102470	PLUG, 3/8" NPT(M)	1
6.5	7101359	VALVE, THERMAL RELIEF 1/4" NPT(M)	1
6.6	7102207	BOLT, 3/8-16	4
6.7	7101381	WASHER, SPLIT LOCK 3/8	4

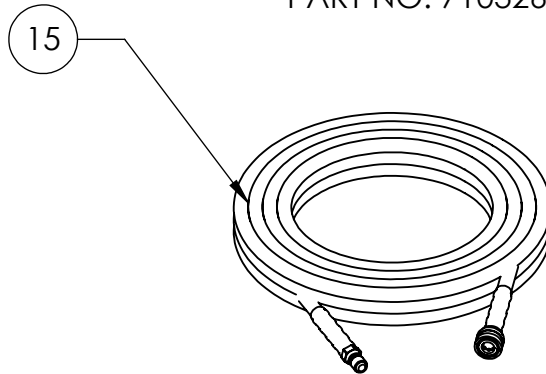
* KEY NOT SHOWN



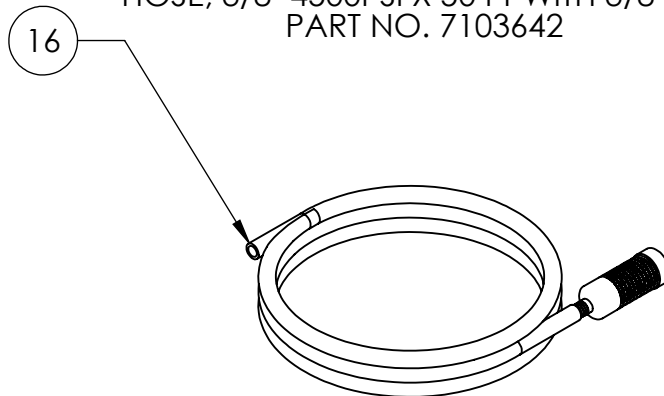
GUN AND WAND 5075PSI 3/8" PLUG X M22(F)
PART NO. 7103240



LANCE 31IN X M22(M) X 1/4" QC (F)
PART NO. 7103261



HOSE, 3/8" 4500PSI X 50 FT WITH 3/8" QC
PART NO. 7103642

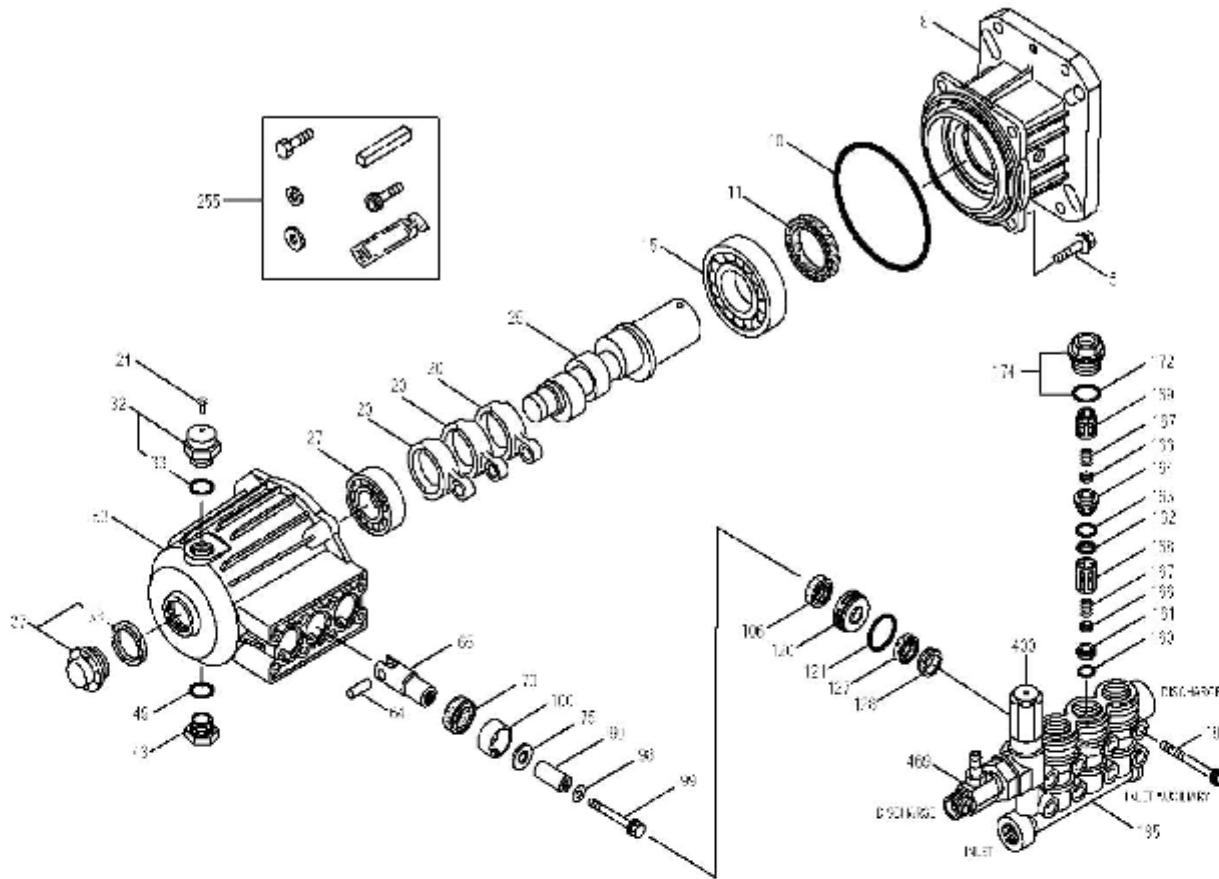


SOAP HOSE KIT
PART NO. 7102207

SIZE	DWG. NO.	REV.
A	60605-S	
SCALE: N/A	ECN#	DC12-0093
		SHEET 4 OF 6

MODEL
67DX39G11

FNA PART NO.
7103265



PARTS LIST

ITEM	MATL	PART #	DESCRIPTION	QTY	ITEM	MATL	PART #	DESCRIPTION	QTY
5	STCPR	7103400	Screw, HH, Sems (M5x25)	4	128	NY	NA	Adapter, Male	1
8	AL	7103401	Cover, Adapter Bearing	1	100	NBR	NA	O-Ring, Inlet Valve Seat - 70D	1
10	NBR	7103402	O-Ring, Bearing Cover - 70D	1	161	S	NA	Seat, Inlet	1
11	NBR	7102934	Seal, Oil Crankshaft - 70D	1	162	D	NA	Back-up-Ring, Discharge Seat	1
15	STL	7103403	Bearing Ball - Inner	1	163	NBR	NA	O-Ring, Discharge Seal - 70D	1
20	INM	7103404	Rod, Connecting	3	164	S	NA	Seat, Discharge	1
24	LDF-L	7103405	Plug, Oil Cap	1	166	S	NA	Valve	6
25	CM	7103406	Crankshaft (10.3mm)	1	107	S	NA	Spring	6
27	STL	7103407	Bearing Ball - Outer	1	168	PVDF	NA	Retainer, Spring, Inlet	1
32	RTP	7102604	Cap, Oil Filler w/O-Ring	1	169	PVDF	NA	Retainer, Spring, Discharge	1
33	NBR	7102617	O-Ring, Filler Cap - 70D	1	172	NBR	NA	O-Ring, Valve Plug - 90D	1
37	-	7103056	Gauge, Oil Bubble w/Gasket - 80D	1	174	BB	7103416	Plug, Valve w/O-Ring	1
38	NBR	7102970	Gasket, Flat, Oil Gauge - 80D	1	185	BB	7103417	Head, Manifold	1
48	NY	7101782	Plug, Drain	1	188	STCPR	7103418	Screw, HSH (M6x15)	8
49	NBR	7102617	O-Ring, Drain Plug - 70D	1	255	STZP	7103419	Assy, Bolt Mount, Gas	1
53	AL	7103408	Crankcase	1	STCPR	NA	Screw, HH (3/8x15x1-3/8")	4	
64	CM	7103409	Pin, Crosshead	1	STZP R	NA	Lockwasher (3/8")	4	
65	BB	7103410	rod, Plunger	3	STZP R	NA	Washer, Flat (3/8")	1	
70	NBR	7102804	Seal, Oil Crankcase - 70D	8	NA	NA	Anticize Lubricant	1	
75	S	7103411	Slinger, Barrier	3	STL	NA	Key (1/4x1/4x36mm)	1	
90	CC	7103412	Plunger (M14x26)	3	STCPR	NA	Screw, Set (M5x8)	1	
98	NBR	NA	Washer, Seal - 90D	3	300	NBR	7103420	Kit, Seal (Includes: 98, 100, 121, 127, 128)	1
99	S	7103413	Retainer, Plunger	1	310	NBR	7103421	Kit, Valve	1
100	NY	7103414	Retainer, Seal	1			(Includes: 100, 101, 102, 103, 104, 105, 106, 107, 108, 109, 112)		
102	NBR	NA	Seal, IPS w/S-Spg	1	400	-	Unloader, Integral (See individual parts)	1	
120	BR	7103415	Gasket, Seal	1	485	BR	7103422	Injector, Chemical Fixed	1
121	NBR	NA	O-Ring, Seal Case - 70D	1					
127	SN3	NA	V-Packing	8					

NOTE: All "NA" Parts are only available in Kits

Notes are optional items. R Components comply with RoHS Directive.
 MATERIAL CODES (Not Part Number): AL=Aluminum DD=Brass CC=Ceramic CM=Chromo-moly D=Acetal LDFC=Low Density Polyethylene
 NBR=Medium Nitrile (Buna-N) NY=Nylon PVDF=Polyvinylidene Fluoride RTP=Reinforced Composite S=304SS ENG=Special Blend (Buna)
 STCPR=Steel/Chrome Plated STL=Steel STZP=Steel/Zinc Plated INM=Special High Strength

FNA GROUP REV A ECN# DC12-0102

SIZE	DWG. NO.	REV.
A	60605-S	A
SCALE: N/A	ECN# DC12-0093	SHEET 5 OF 6

MODEL
67DX39G11

INTEGRAL UNLOADER

SPECIFICATIONS

Flow.....	3.9 GPM	Metric Measure
PSI Range.....	100-4000 PSI	(14.7 L/M)
Inlet Port.....	1/2" NPTF	(7-275 BAR)
Discharge Port.....	M18 x 1.0	(1/2" NPTF)
		(M18 x 1.0)

FNA PART NO.
7103265

UNLOADER TYPE

An integral unloader with built-in by-pass is part of the discharge manifold to provide system pressure regulation and pump protection. This pump also includes a fixed chemical injector for chemical application

OPERATION:

Pump should be purged of air before commencing with operation. Liquid must flow through the pump without discharge restriction to assure full system pressure is reached.

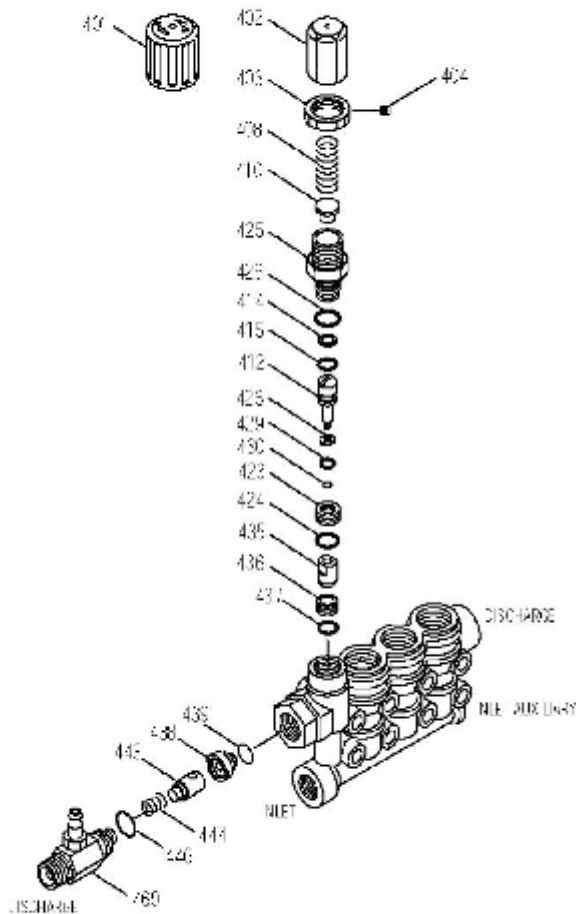
Install a pressure gauge close to the manifold head of the pump to assist in setting system pressure and to periodically monitor system pressure.

Setting and adjusting the unloader pressure must be done with the system turned on. Start the system with the unloader backed off to the lowest pressure setting (counterclockwise direction). Squeeze the trigger and read the pressure on the gauge at the pump. Do not read pressure at the gun or nozzle. If more pressure is desired, release the trigger, turn adjusting cap one quarter turn in a clockwise direction. Squeeze the trigger and read the pressure. Repeat this process until the desired system pressure is reached. Thread locking nut up to adjusting cap and tighten set screw. All high pressure systems should have a secondary relief valve. Set secondary relief valve 200-300 psi above the unloader setting.

NOTE: Pressure is not set at the factory

SERVICE:

The unloader should be serviced on the same schedule as the seals in the pump. Refer to 67DX Service Manual for start-up, servicing of seals and valves, torque requirements and Diagnosis/Maintenance chart.



PARTS LIST

ITEM	MATL	PART #	DESCRIPTION	QTY.
401	NY	7103423	Handle Adjusting (Black)	1
402	BB	7103424	Cap, Adjusting	1
403	BB	7103425	Nut, Locking (M25x1)	1
404	S	7103426	Screw, Set (M4x4)	1
408	ZP R	7103427	Spring, Pressure	1
410	STZP	7103428	Retainer, Spring	1
412	S	NA	Stem, Piston	1
414	PTFE	NA	Back-up-Ring, Piston Stem	1
415	NBR	NA	O-Ring Piston Stem - 90D	1
423	BB	NA	Retainer, Valve	1
424	NBR	NA	O-Ring Valve Retainer - 70D	1
425	BB	NA	Retainer, Piston	1
426	S	NA	Washer	1
428	NBR	NA	O-Ring Piston Retainer - 00D	1
429	NBR	NA	O-Ring Valve Retainer - 70D	1
430	C	NA	Back-up-Ring, Valve Retainer	1
435	S	NA	Valve/Ball Assembly	1
436	S	NA	Seat	1
437	NBR	NA	O-Ring Seat - 70D	1
438	C	7103429	Seat, Check Valve	1
439	NBR	NA	O-Ring Check Valve Seat - 70D	1
443	BB	7103430	Valve, Check w/NBR O-Ring	1
444	S	7103431	Spring, Check Valve	1
446	NBR	NA	O-Ring Body - 80D	1
448	NBR	7103432	Kit, O-Ring (Incls: 414, 415, 424, 428, 429, 430, 437, 438, 446)	1
469	BB	7103422	Injector, Chemical Fixed	1
		7103433	Kit, Repair (Incls: 412, 414, 415, 423, 424, 425, 426, 428, 429, 430, 435, 436 and 437)	1

FIXED CHEMICAL INJECTOR

SPECIFICATIONS

	U.S. Measure	Metric Measure
Model 7367		
GPM.....	3.9 GPM	(14.7 L/M)
Nozzle Orifice.....	2.1 mm	(2.1 mm)

Common Specifications

Hose Barb.....	1/4"	(1/4")
Tapped Barb.....	3/32" UNF	(3/32" UNF)
Inlet Port.....	M18x1.0	(M18x1.0)
Discharge Port.....	3/8" NPTM	(3/8" NPTM)
Weight.....	5.3 oz.	(0.15 kg)
Dimensions.....	2x1x1.75"	(52x25x45 mm)

CHEMICAL INJECTOR PERFORMANCE CHART

Orifice Size	Injector Model	Maximum Injecting Pressure	Maximum Chemical Draw	Pressure Drop Across Injector At System Pressure (4000 PSI)
2.1 mm	7367	268 PSI	76.3 oz/min	298 PSI

Optimum performance of chemical injector occurs with a 35 ft. high pressure hose and a minimum 3/8" I.D. The type of hose, extended lengths, reduced I.D. and fittings may create back pressures in excess of the low pressure nozzle rating and prevent the injector from drawing chemical. See Hose Friction Loss Chart in Service Manual. Deduct hose friction loss from above low PSI Nozzle. Contact CAT PUMPS for assistance with other options.

CAUTION: Deduct the pressure drop shown in the performance chart from your desired system pressure to arrive at the maximum high pressure nozzle rating. This is essential to avoid over-pressurizing the pump.

NOTE: All "NA" Parts are only available in Kits

Notes are optional items. R Components comply with RoHS Directive.
MATERIAL CODES (Not Part of Part Number): BB=Brass D=Acetal
NBR=Nitrile (Buna-N) NY=Nylon PTFE=Pure Polytetrafluoroethylene
S=304SS S1L=Steel S2Z=Steel/Zinc Plated ZP=Zinc Plated