

**PROBRITE™**

**STEALTH LED  
SLIM WALLPACK**

**INSTALLATION,  
USAGE, & CARE GUIDE**

Model No. STL15-4K-BZ  
STL28-4K-BZ

Mfr. SKU 103-05000013-1  
103-05100005-1



**Questions? / Missing Parts? / Need Accessories?**

Before returning to the store, call or email PROBRITE  
Customer Service 9am-5pm EST Monday to Friday.

**1-844-507-5651**

**support@PROBRITE.com**

**PROBRITE.COM**

---

*Visit us online anytime or call us to get information on our product range, download detailed spec & photometric files, find product and mounting accessories, view installation tutorials and videos, and learn about our DLC® rebate eligible products.*

## Table of Contents

Table of Contents.....	2	Installation.....	5
Safety Information.....	2	Care & Cleaning.....	9
Pre-Installation.....	3	Troubleshooting.....	9
Planning Installation.....	3	Warranty.....	10
Specifications.....	3		
Tools Required.....	3		
Hardware Included.....	4		
Package Contents.....	4		

## Safety Information

### IMPORTANT

THIS PRODUCT MUST BE INSTALLED IN ACCORDANCE WITH THE APPLICABLE NATIONAL ELECTRICAL CODE AND LOCAL BUILDING CODES BY A PERSON FAMILIAR WITH THE CONSTRUCTION AND OPERATION OF THE PRODUCT AND THE HAZARDS INVOLVED.

### PRECAUTIONS

- Please read and understand this entire manual before attempting to assemble, install, or operate this light fixture.
- This light fixture requires a 120-277Volt AC power source.
- Some codes require installation by a qualified electrician.
- This light fixture must be properly grounded.
- Make sure connections are secure using wago connector, crimp-on lugs or other approved connecting devices
- This light fixture should be installed outdoors to the wall.
- This product may contain chemicals known to be hazardous. Thoroughly wash hands after installing, handling, cleaning or otherwise touching the product.



**WARNING:** Turn the power off at the circuit breaker or fuse. Place tape over the circuit breaker switch and verify power is off at the light fixture.



**WARNING:** Risk of fire. Keep the lamp heads at least 3 in. (76mm) from combustible materials.



**CAUTION:** Burn hazard. Allow the light fixture to cool before touching.



**NOTICE:** Do not connect this fixture to a dimmer switch.



**NOTICE:** FCC Regulations state that any unauthorized changes or modifications to this equipment not expressly approved by the manufacturer could void the user's authorization to operate this equipment.



**INFORMATION:** The device is tested and found to comply with Part 15 of the FCC Rules. Operation is subject to two conditions: (1) This device may not cause harmful interference and, (2) this device must accept any interference received, including any interference that may cause undesired operation.

These limits are designed to provide reasonable protections against harmful interference when the equipment is operated in a commercial environment.

## Pre-Installation

### PLANNING INSTALLATION

Before installing the light fixture, ensure that all parts are present. Compare parts with the *Hardware Included* and *Package Contents* sections. If any part is missing or damaged, do not attempt to assemble, install, or operate this light fixture.

Estimated installation time: 20 minutes

### SPECIFICATIONS

MODEL	STEALTH 15W	STEALTH 28W
<b>Lumens (Light Output)</b>	1600 Lumens	3000 Lumens
<b>Watts (Power Consumption)</b>	15 Watts LED	28 Watts LED
<b>Replaces</b>	70 Watt Metal Halide	100 Watt Metal Halide
<b>Lumens/Watts (Efficacy)</b>	107 lumens per watt	107 lumens per watt
<b>Power Requirements (Input Voltage)</b>	120-277VAC	
<b>Light Color (CCT)</b>	4000 Kelvins (Bright White)	
<b>Dimmable</b>	Non-Dimming (Do not wire to dimming switch)	
<b>Operating Modes</b>	<b>Switch-Controlled:</b> Flip switch to turn light fixture ON and OFF. Use included light sensor cap on fixture's light sensor to utilize this mode setting.	

### TOOLS REQUIRED



⊕ Phillips Screwdriver



⊖ Flathead Screwdriver



Circuit tester



Silicone Sealant



Wire strippers/cutters



Ladder



Safety goggles



Flat head hammer



Work gloves

## Pre-Installation (continued)

### HARDWARE KIT



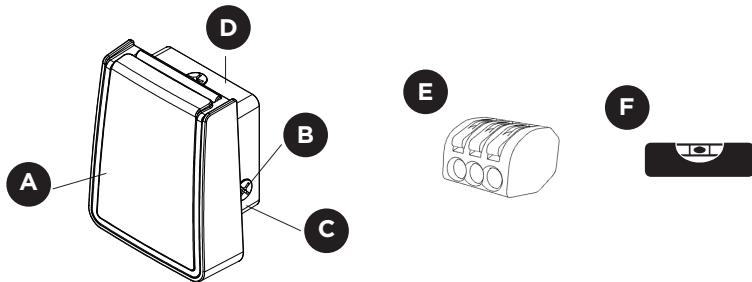
**NOTE:** Hardware *not* shown to actual size.

AA



Part	Description	Quantity
AA	#8-32 x 3/4" philips mounting bracket screw	2

### PACKAGE CONTENTS

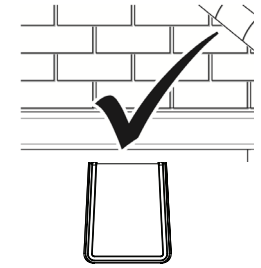


Part	Description	Quantity
A	Light fixture	1
B	Conduit entry plug	1
C	Back plate housing tightening screw (pre-installed)	1
D	Back plate housing	1
E	Wago quick wire connectors (pre-installed in fixture back box)	3
F	Leveling bubble	1

## Installation

### 1 For best results

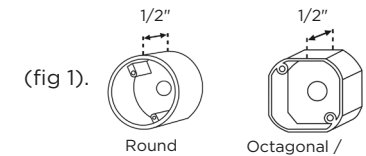
- The fixture can be mounted in the following two ways:
  - Junction Box Mount:** Use an external junction box to mount the fixture.
  - Surface Conduit Mount:** The fixture can also be mounted directly on the wall surface using conduit entry.
- When installing two fixtures on one switch, make sure the switch is rated for at least a 1A inductive load.
- Do NOT wire to a dimming switch.



Wall Mount



**NOTE:** Mounting base (D) mounts to recessed mounted standard junction boxes or to the surface directly. Junction box must be at least 1/2 inch in depth for proper installation for recessed mount application (fig 1).

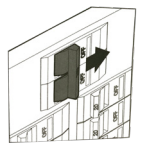


### 2 Shut electric power off

- At wall switch verify it is in the off position (fig 1).
- At the main electrical panel turn off the circuit breaker that supplies power to the outlet box you are working on (fig 2).
- For screw-in type fuses unscrew the fuse that supplies power to the outlet box you are working on (fig 3).



(fig 1).



(fig 2).



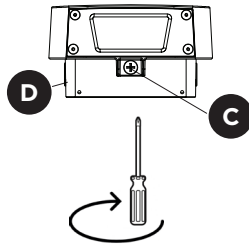
(fig 3).

## Installation (continued)

### 3 Remove the back housing mounting base

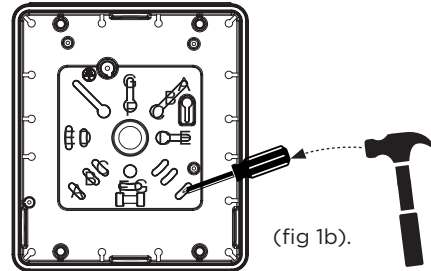
**NOTE:** The back plate housing tightening screw (C) comes pre-installed on the light

- Remove the mounting base (D) from the bottom of the fixture by loosening the mounting base tightening screw (C) using a philips screwdriver.



### 4 Knock out holes on mounting base

- Refer to the guide in Fig. 1a to select the holes to knock out or measure your junction mounting holes and determining proper knock-outs on the fixture's back housing.
- Use a flat head screw driver and hammer to knock out two holes in the mounting base (D) in the desired location to align properly with the junction box. (Fig. 1b)



Junction Box Mounting Guide

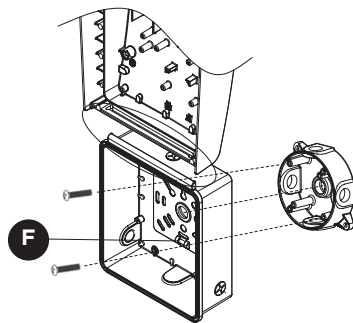
A-A	4" Square Box	E-E	4" Round Box
B-B	4" Octagonal Box	F-F	2-3/4" Hole Pattern
C-C	3-1/2" Square/Octagonal Box	G-G	Single Gang
D-D	Masonry Box		

(fig 1a).

### 5 Installing the mounting base

#### Junction box Mount

- Route the junction box wires through the large center hole in the mounting base (D).
- Align the holes on the mounting base (D) with the holes on your junction box. Use two #8 screws (AA), depending on the size of the holes in your junction box, attach the mounting base (D) to your junction box. (Fig. 2)

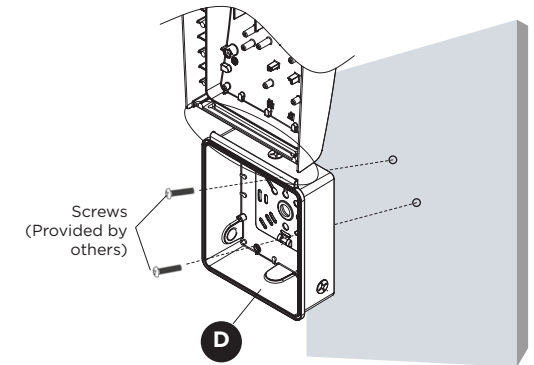


**TIP:** Use the leveling bubble (F) inside the back housing to adjust mounting for a level install.

## Installation (continued)

#### Surface Conduit Mount

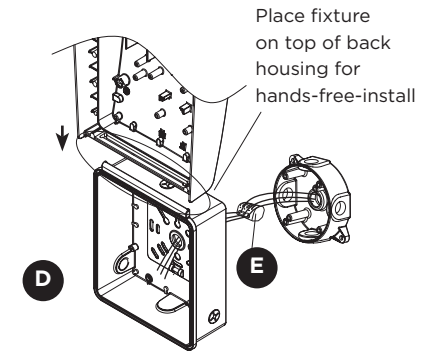
- Mark and drill two holes on the wall surface as per the desired location for fixing the mounting plate (D).
- Use two or more suitable screws (provided by others) applicable to the mounting surface and fix the cast junction box (B) on the surface. (Fig. 2)



### 6 Making the electrical connections

#### Junction box Mount

- For handsfree operation, to allow both hands to make electrical connections, use the hinge on the mounting base to hang the fixture. (Fig 1).
- Follow the wiring instructions given below to make the electrical connections. (Fig 1)

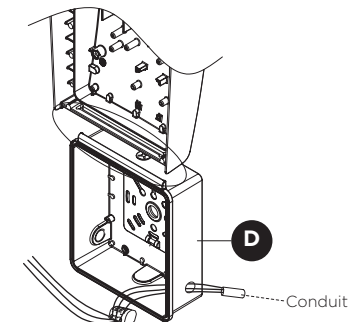


Junction box Mount

(fig 1).

#### Surface Conduit Mount

- For handsfree operation, use the hinge on the mounting base to hang the fixture.
- Remove one conduit plug from the side of the fixture from the where conduit will enter. (Fig. 2)
- Make wiring connections inside the fixture as per the instructions given below.

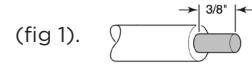


Surface Conduit Mount (fig 2).

## Installation (continued)

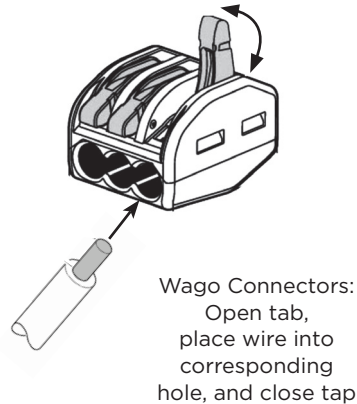
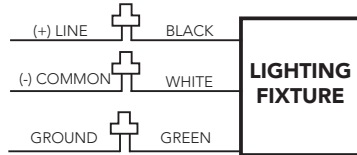
### Wiring Instructions

- If necessary, strip 3/8" of insulation from junction box or fixture (A) wires (fig 1).



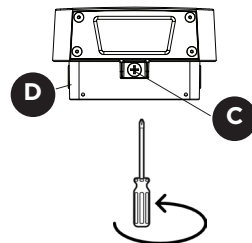
### ON/OFF Wiring Method:

- Connect fixture black wire to house black wire, the (+) line, and fixture white wire to house white wire, the (-) common by inserting the exposed house wires into the corresponding wago connector (E). Ensure no loose wires.
- Connect house ground wire to the green fixture ground wire, by inserting the exposed house wires into the corresponding wago connector (E). Ensure no loose wires.



## 7 Mounting the light fixture

- Close the fixture by tightening the mounting base tightening screw (C), using a philips screwdriver, which was removed earlier in Step 1. (Fig. 1)

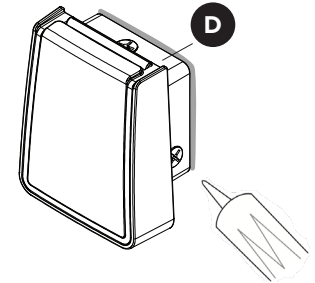


(fig 1).

## Installation (continued)

## 7 Caulking around the light fixture

- Caulk around the mounting plate (D) and surface with silicone sealant (not included).



**NOTICE:** Failure to properly caulk around the surface and mounting plate (D) could lead to water damage and is not covered under warranty.



**NOTE:** When attaching this fixture (A) to an external, surface mount junction box, caulk the inside of the light fixture before attaching to the mounting plate (D).

## Care and Cleaning

- Shut off main power supply before cleaning the product. To prolong the original appearance, clean the light fixture with clear water and a soft, damp cloth only.
- Do not use abrasive cleaners or cleaners that contain alcohol. Do not apply paints, solvents, or any other chemicals on this light fixture. They could cause a premature deterioration of the finish and may void the warranty.
- Do not spray the light fixture with a hose or power washer.

## Troubleshooting

If Light does not come on:

- Verify that the power is turned ON from the circuit breaker and wall switch.
- Verify the wiring for the fixture is done properly.
- Verify the line voltage is correct.

If Light flickers:

- Do not wire to a dimming switch, use a standard ON/OFF switch

## 5-Year Limited Warranty

---

This is a limited warranty offered by Probrite for a period of five years from the date of purchase to its customers. Probrite warrants to customers that the products will be free from defects in material and workmanship. The obligation of Probrite under this warranty is limited to the provision of replacement of products and is extended to the original purchaser of the product on presenting valid purchase receipt or other proof of date of original purchase acceptable to Probrite. The receipt is required for rendering the warranty performance. Any warranty claims without original proof of purchase would not be accepted.

It should be noted that the warranty does not apply to Probrite products that have been altered or repaired by unauthorized personnel, have been subjected to neglect, abuse, misuse or accident or damages caused during shipping. Any other products not manufactured by Probrite which have been supplied, installed and/or used in conjunction with Probrite products are not covered under this warranty. Any damages caused by replacements bulbs, LEDs or corrosion or discoloration of brass components are also not covered by this warranty.

### **Limitation of Liability:**

In no event Probrite shall be liable for indirect, consequential, incidental or special damages, or lost profits. Probrite is not liable for any claims or damage arising out of or connected with the manufacture, sale, delivery, use, maintenance and repair or modification of Probrite products, or supply of any replacement parts that, exceed the purchase price of Probrite products giving rise to a claim. Labor charges to remove or install the fixtures will not be accepted.

### **To Claim:**

Please contact PROBRITE customer service at 1-844-507-5651 or email support@PROBRITE.com and include your name, address and contact number, along with a copy of the purchase receipt and a brief description of the problem.

# **PROBRITE™**

## **Questions? / Missing Parts? / Need Accessories?**

Before returning to the store, call or email PROBRITE  
Customer Service 9am-5pm EST Monday to Friday.

**1-844-507-5651**

**support@PROBRITE.com**

**PROBRITE.COM**

**RETAIN THIS MANUAL FOR FUTURE USE**

**Para las translaciones en español,  
visit [www.probrite.com/install](http://www.probrite.com/install)**