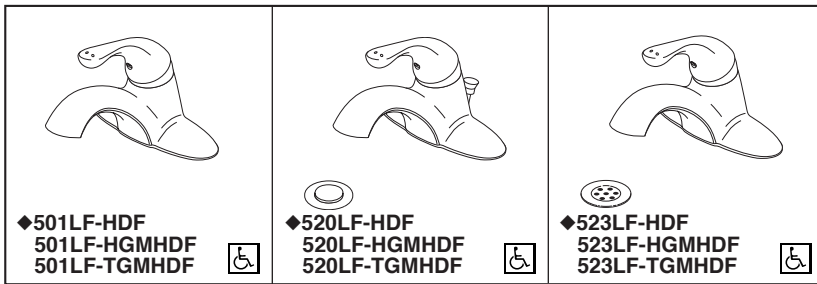


DELTA[®] COMMERCIAL

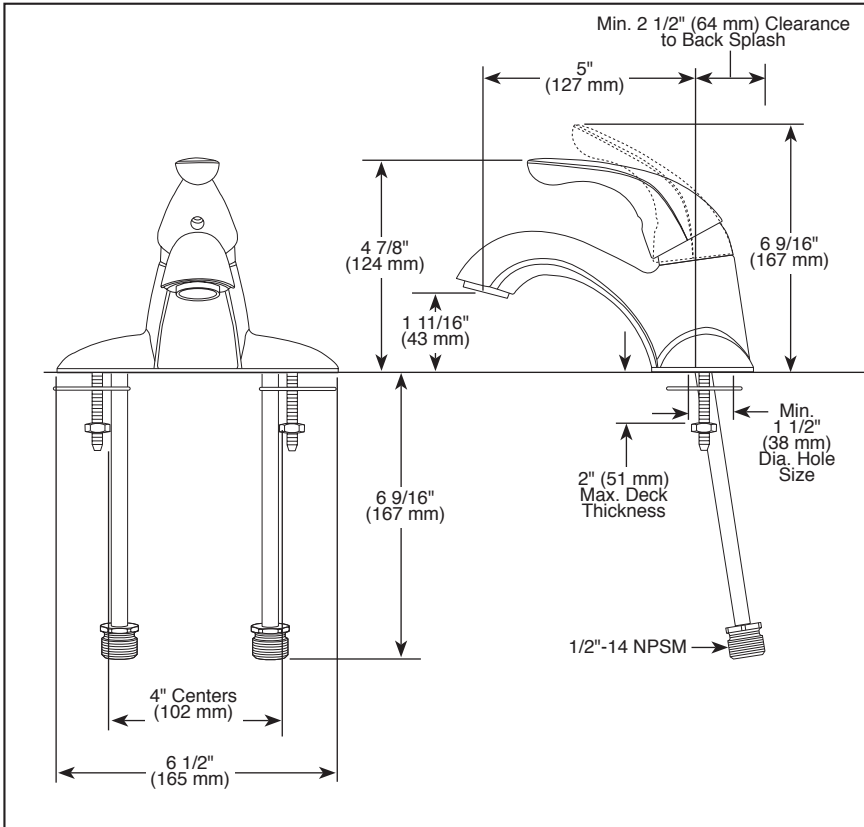
LAVATORY FAUCETS

■ Single Handle

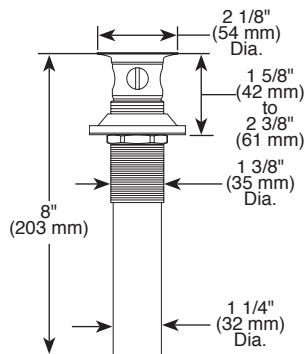


Submitted Model No.: _____

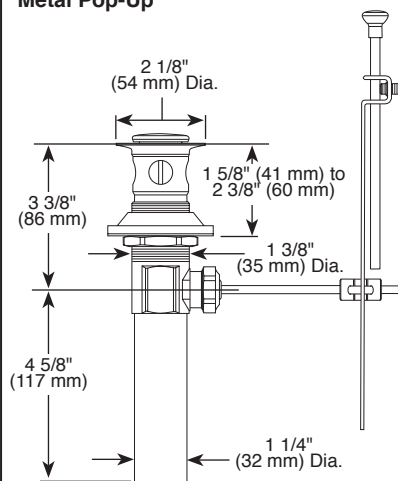
Specific Features: _____



Metal Grid Strainer



Metal Pop-Up



STANDARD SPECIFICATIONS:

- Maximum 1.20 gpm @ 60 psi, 4.54 L/min @ 414 kPa
- HGM (models only) maximum 0.50 gpm @ 60 psi, 1.90 L/min @ 414 kPa
- TGM (models only) maximum 0.35 gpm @ 60 psi, 1.30 L/min @ 414 kPa
- Two and three hole mount
- Solid brass fabricated body
- Vandal resistant lever handle. Red/blue colored graphics indicate hot/cold temperature.
- Diamond coated ceramic cartridge
- Adjustable handle limit stop
- 3/8" O.D. copper supply tubes with 1/2"-14 NPSM adapters
- Models have 1/4" threaded mounting studs
- Available options for field conversion:
 - 6" (152 mm) long elbow handle-red/blue colored graphics indicate hot/cold temperature. Order RP54687.
- Vandal resistant aerator or spray outlet
- Metal grid strainer (523)
- Metal pop-up drain (520)
- Lift rod hole (520)

WARRANTY

- Lifetime limited warranty on parts (other than electronic parts and batteries) and finishes: or, for commercial users, for 5 years from date of purchase.
- 5 year limited warranty on electronic parts (other than batteries); or, for commercial users, for 1 year from the date of purchase. No warranty is provided on batteries.



COMPLIES WITH:

- ASME A112.18.1 / CSA B125.1
- ASME A112.18.2 / CSA B125.2
- Indicates compliance to ICC/ANSI A117.1
- EPA WaterSense® ◆=Only models as indicated
- Verified compliant with .25% weighted average Pb content regulations.

Delta reserves the right (1) to make changes in specifications and materials, and (2) to change or discontinue models, both without notice or obligation. Dimensions are for reference only. See current full-line price book or www.deltafaucet.com for finish options and product availability.

DSP-L-501LF-HDF Rev. H

DELTA[®]

FAUCET COMPANY

55 E. 111th Street, Indianapolis, Indiana 46280
350 South Edgeware Road, St. Thomas, ON N5P 4L1
© 2016 Masco Corporation of Indiana