

Builders
CHOICE

MOULDING & MILLWORK

Style | Quality | Selection



INSTALLATION GUIDE



READ ALL INSTRUCTIONS AND REVIEW DIAGRAMS BEFORE BEGINNING THE INSTALLATION TO GET A THOROUGH UNDERSTANDING OF THE PROCESS.



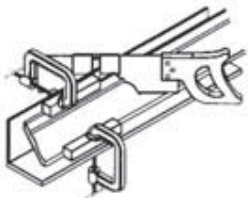
SAFETY NOTICES

Always practice safety and use appropriate eye, ear, and respiratory protection when using power tools.

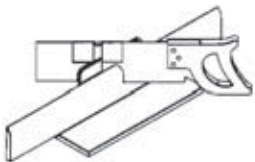
INSTALLATION TOOLS

- Hammer
- Nail Punch
- Finish Nails (1-1/2", 15-16 gauge)
- Brad Nails or a Power Nailer
- Coping Saw
- Miter Saw
- Level
- Clamps
- Caulking Gun
- Caulk
- Paintable/Stainable Wood Filler
- Fine Grit Sanding Block

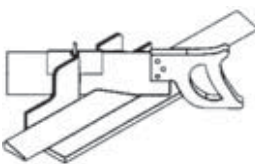
MITERING



Miter your mouldings to join pieces at corners. An end miter is a 45° cut in the ends of two adjoining pieces of moulding so they fit tightly together.

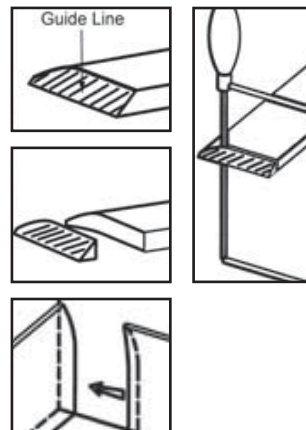


Crown and cove mouldings are cut at the same angle against the back and bottom of the miter box as they will eventually rest against the wall and ceiling.

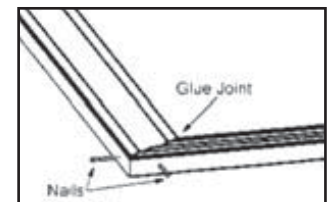


Base mouldings and chair rails are cut with the flat side against the back of the miter box. Door and window casings are mitered with the flat side on the bottom of the box.

COPING



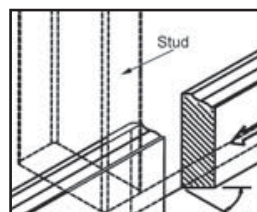
Use a cope cut for inside corners when installing base or crown.



FASTENING

A dab of glue and small diameter nails assure tight joints. If installing MDF, set power tools at 100 to 110 pounds per PSI to compensate for the dense surface. Putty holes and paint.

SPLICING



When a wall is too long for a single length of moulding, you need to splice two or more moulding pieces together.