

Features

- Handshower features transitional design
- Advanced spray engine provides three alternate experiences: wide coverage, intense drenching, and targeted massage spray.
- Thumb tab allows for a smooth transition between sprays.
- MasterClean™ sprayface is easy to clean.
- 36-inch slidebar features adjustable mounting brackets for installation flexibility.
- Includes 60-inch metal hose.

Water Conservation & Rebates

- WaterSense®-labeled 2.0-gpm handshowers use up to 20 percent less water than standard 2.5-gpm handshowers, while still meeting strict performance guidelines.
- This product can help a building earn Water Efficiency points in the LEED® Green Building Rating System.

Optional Accessories

- K-98350 Wall-mount Supply Elbow
- K-98351 Wall-mount Supply Elbow with Check Valve



| | | |
|-----|----------|-----|
| ADA | CSA B651 | OBC |
|-----|----------|-----|

Codes/Standards



ASME A112.18.1/CSA B125.1
ASSE 1014
DOE - Energy Policy Act 1992
EPA WaterSense®
ADA
ICC/ANSI A117.1
CSA B651
OBC

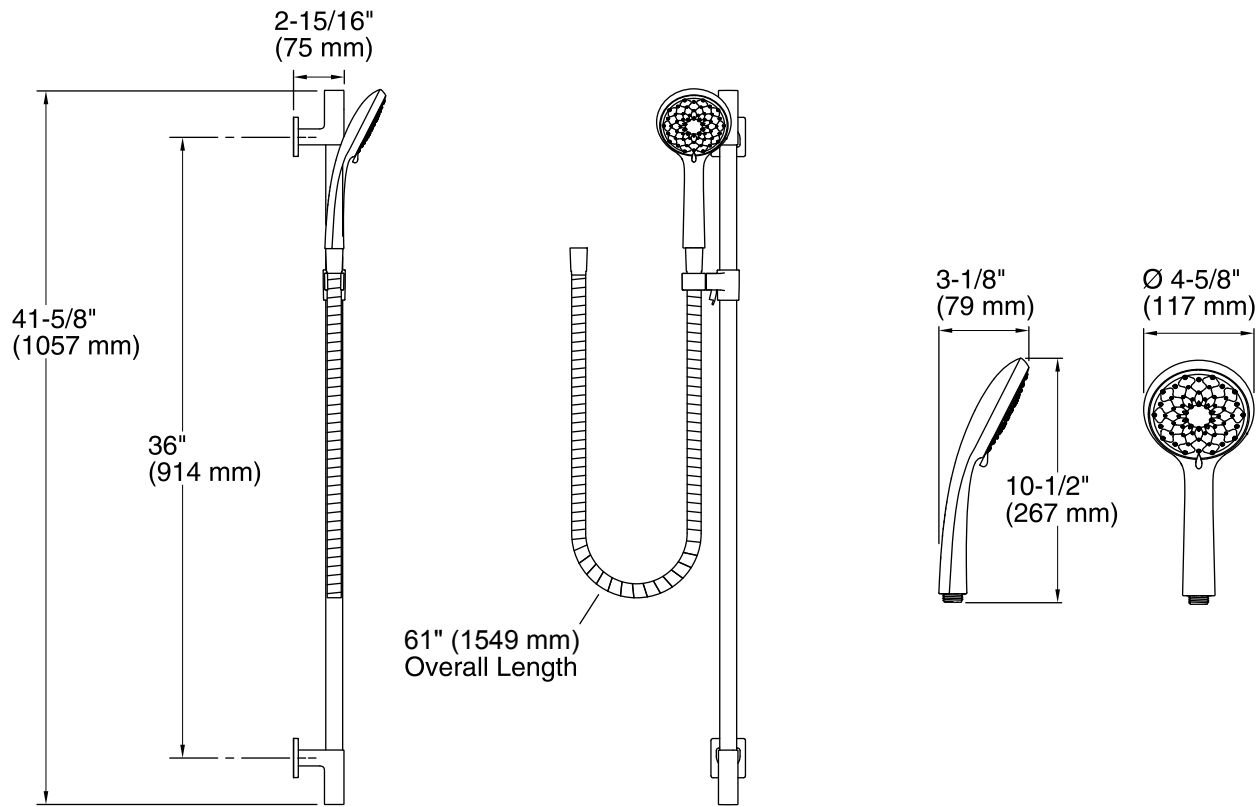
KOHLER® Faucet Lifetime Limited Warranty

See website for detailed warranty information.

Available Color/Finishes

Color tiles intended for reference only.

| Color | Code | Description |
|--|------|-------------------------|
|  | CP | Polished Chrome |
|  | BN | Vibrant® Brushed Nickel |



Technical Information

All product dimensions are nominal.

Handshower:

Flow rate: 2 gal/min (7.6 l/min)

Notes

Install this product according to the installation guide.

Plumbing codes require approved backflow prevention devices to be installed in-line to handshowers. Please consult with local plumbing officials.

ADA, OBC, CSA B651 compliant when installed to the specific requirements of these regulations.